



US00D481378S

(12) **United States Design Patent**
Quilling, II et al.

(10) **Patent No.:** **US D481,378 S**

(45) **Date of Patent:** **** Oct. 28, 2003**

(54) **DOUBLE-DIN AUTO STEREO MOUNTING DEVICE**

D418,838 S 1/2000 Jones, Jr.

OTHER PUBLICATIONS

(75) Inventors: **R. Spencer Quilling, II**, Glenwood, FL (US); **Jacqueline S. Upson**, Daytona Beach, FL (US)

Metra 2001 Autosound Installation Products Catalog, pgs. Cover, 1-62, Published May 2001.

* cited by examiner

(73) Assignee: **Metra Electronics Corporation**, Holly Hill, FL (US)

Primary Examiner—Paula A. Mortimer

(74) *Attorney, Agent, or Firm*—Fitzpatrick, Cella, Harper & Scinto

(**) Term: **14 Years**

(57) **CLAIM**

(21) Appl. No.: **29/167,874**

We claim the ornamental design for a double-DIN auto stereo mounting device, as shown and described.

(22) Filed: **Sep. 24, 2002**

DESCRIPTION

(51) **LOC (7) Cl.** **14-01**

(52) **U.S. Cl.** **D14/224**

(58) **Field of Search** D14/204, 217, D14/224, 229, 258, 157; D12/223; 248/27.1, 27.3, 221.3, 220.2, 221.4, 558; 403/4; 455/345; 361/685

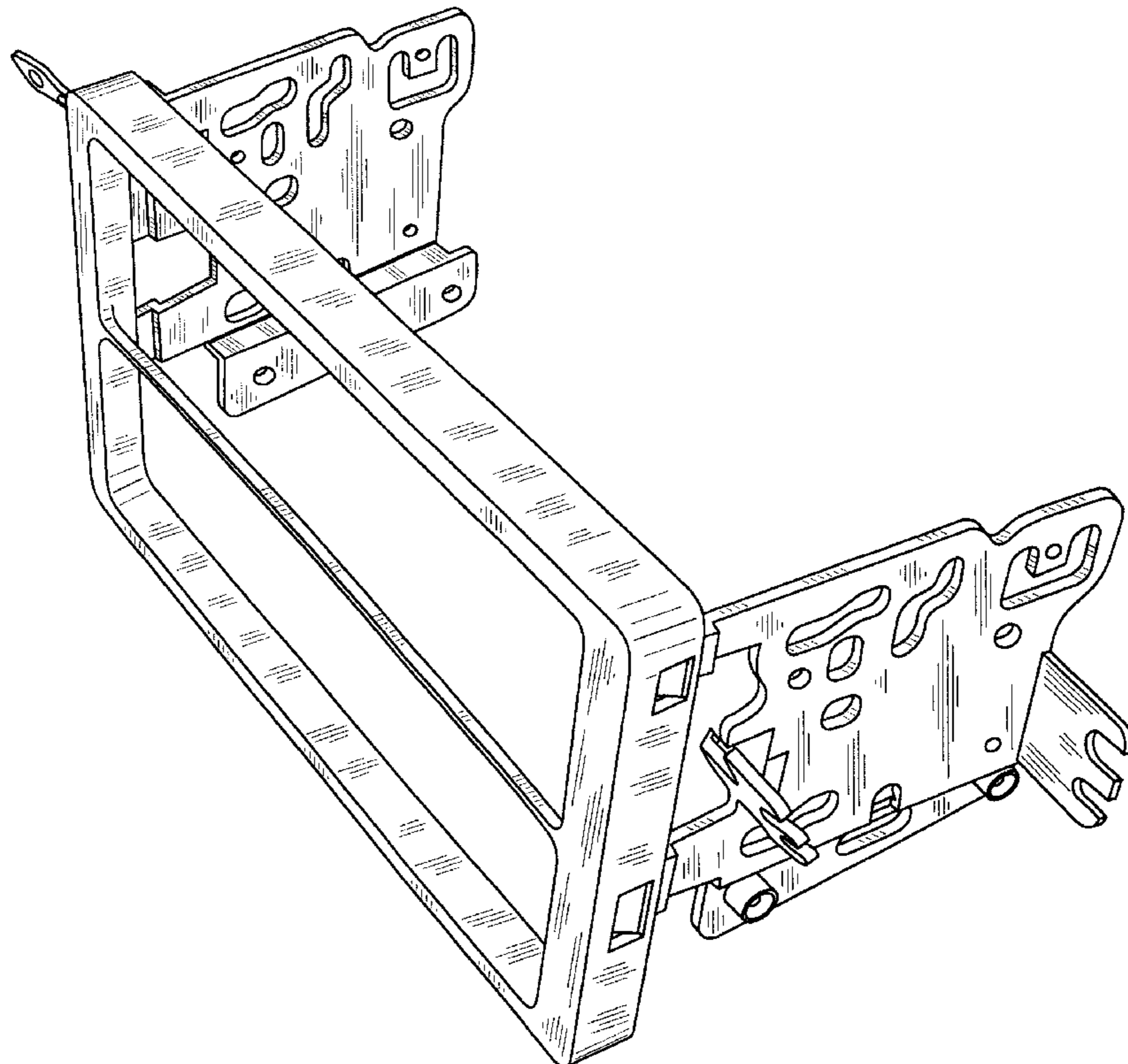
FIG. 1 is a right front perspective view of a double-DIN auto stereo mounting device showing our new design; FIG. 2 is a front elevation view of FIG. 1; FIG. 3 is a top plan view of FIG. 1; FIG. 4A is a right side elevation view of FIG. 1, the left side being a mirror image thereof; FIG. 4B is a right side elevation in cross-section, along line 4B-4B of FIG. 2, to better illustrate certain features of the disclosed design; FIG. 5 is a left side elevation view of FIG. 1; FIG. 6 is a bottom plan view of FIG. 1; and, FIG. 7 is a rear elevation view of FIG. 1.

(56) **References Cited**

U.S. PATENT DOCUMENTS

D294,258 S	*	2/1988	Sprague	D14/258
5,106,039 A		4/1992	Gross		
D356,566 S	*	3/1995	Ohta	D14/157
5,467,947 A		11/1995	Quilling, II		
5,485,348 A	*	1/1996	Oros	361/685
D401,591 S		11/1998	Jones, Jr.		

1 Claim, 8 Drawing Sheets



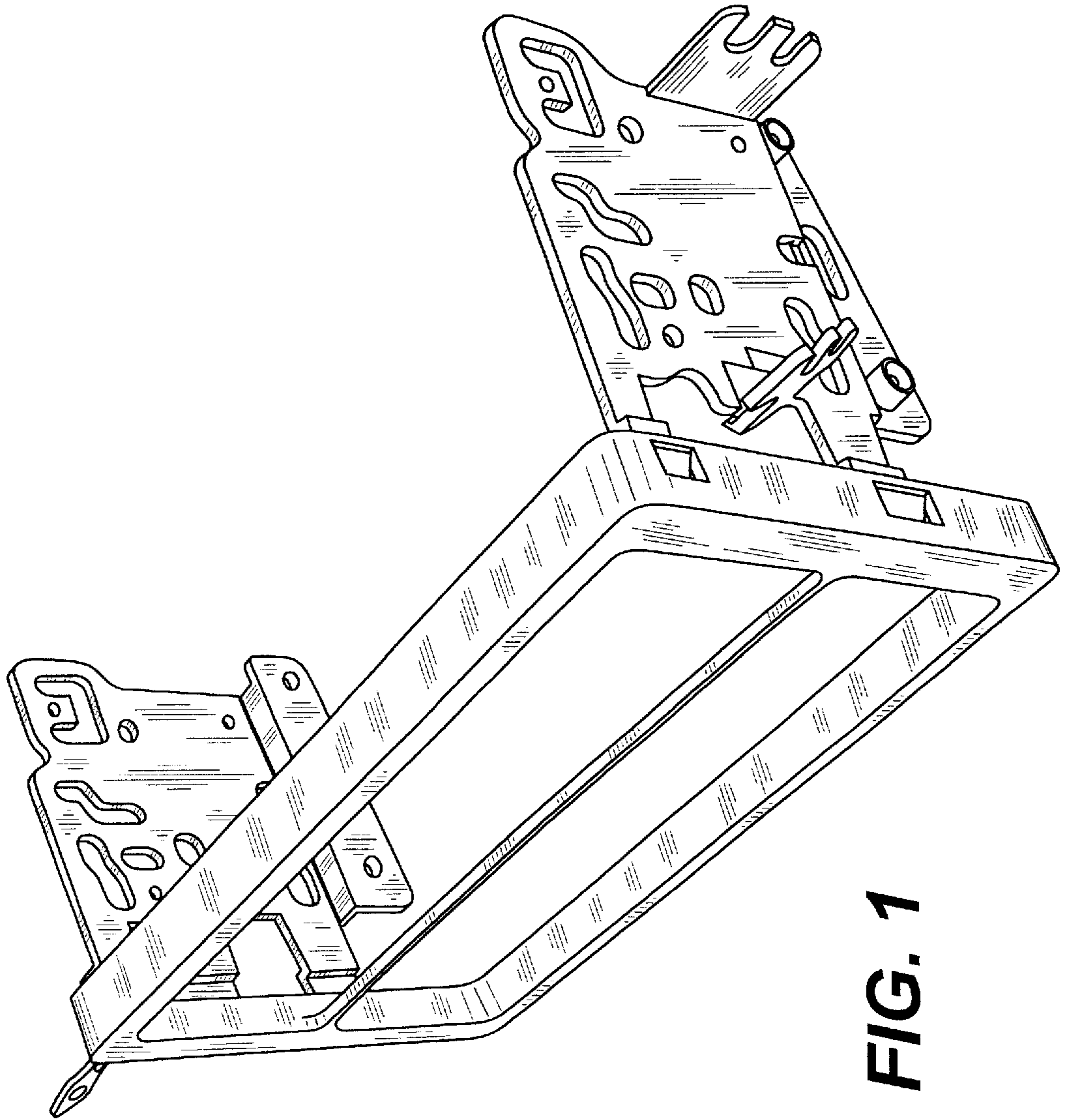


FIG. 1

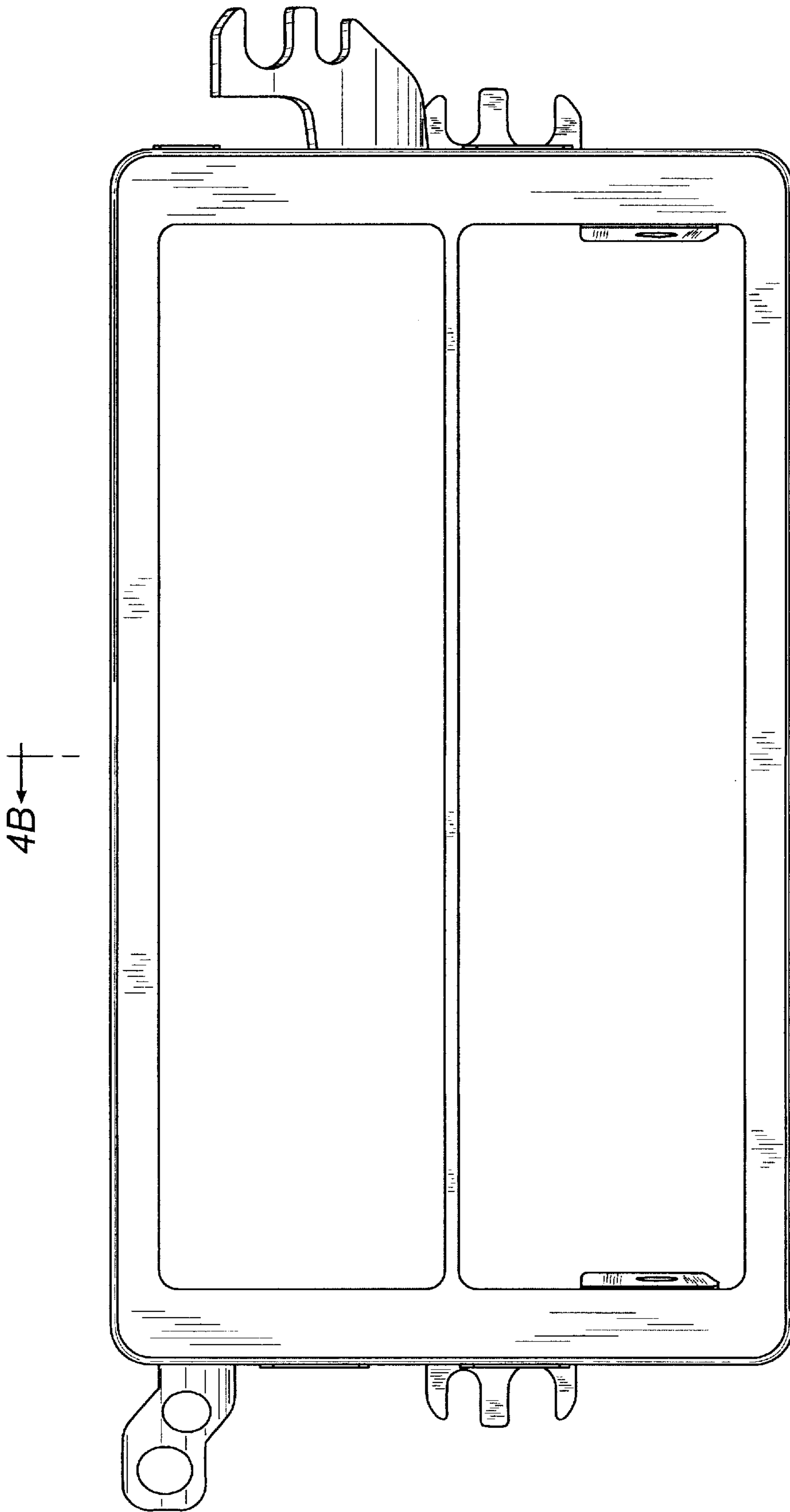


FIG. 2

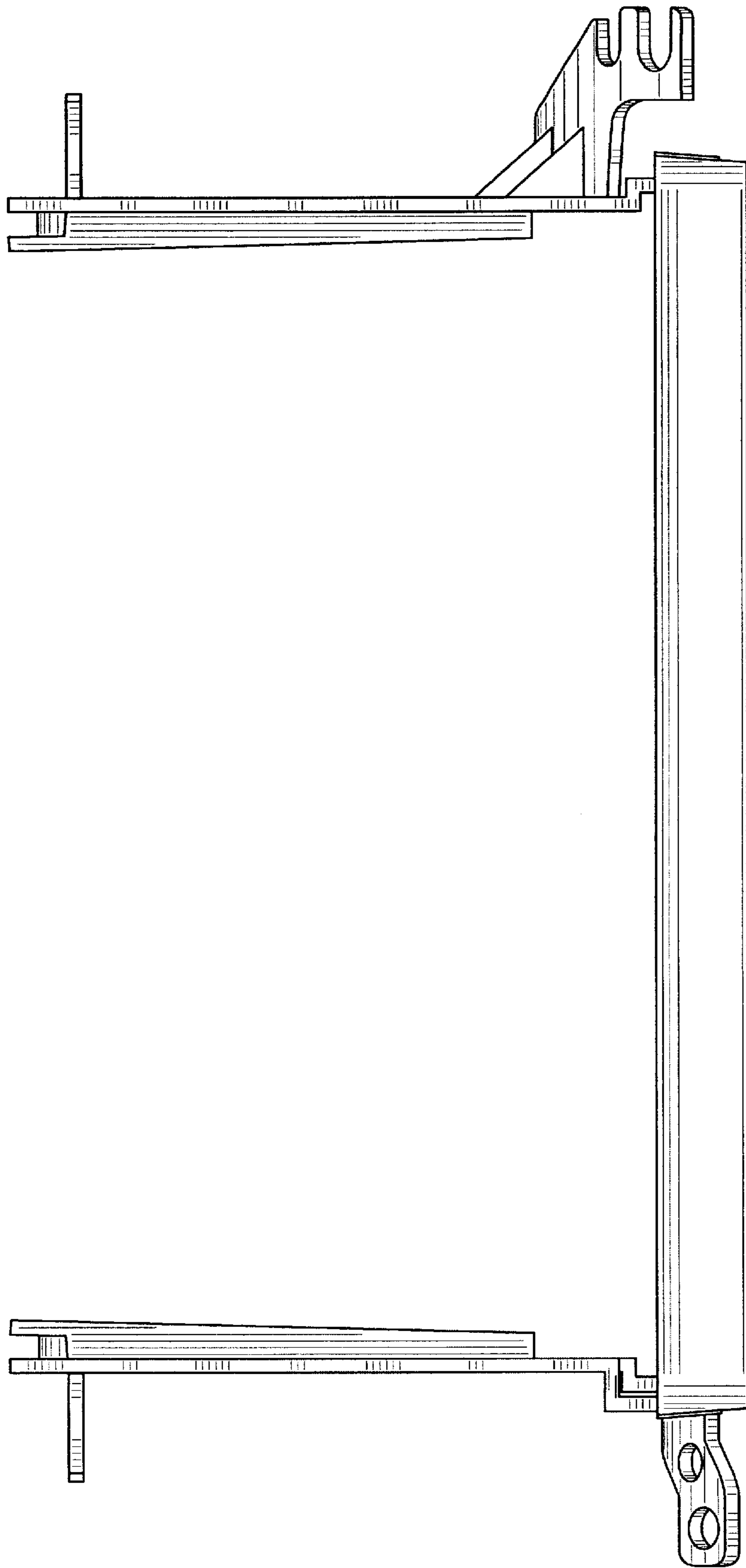


FIG. 3

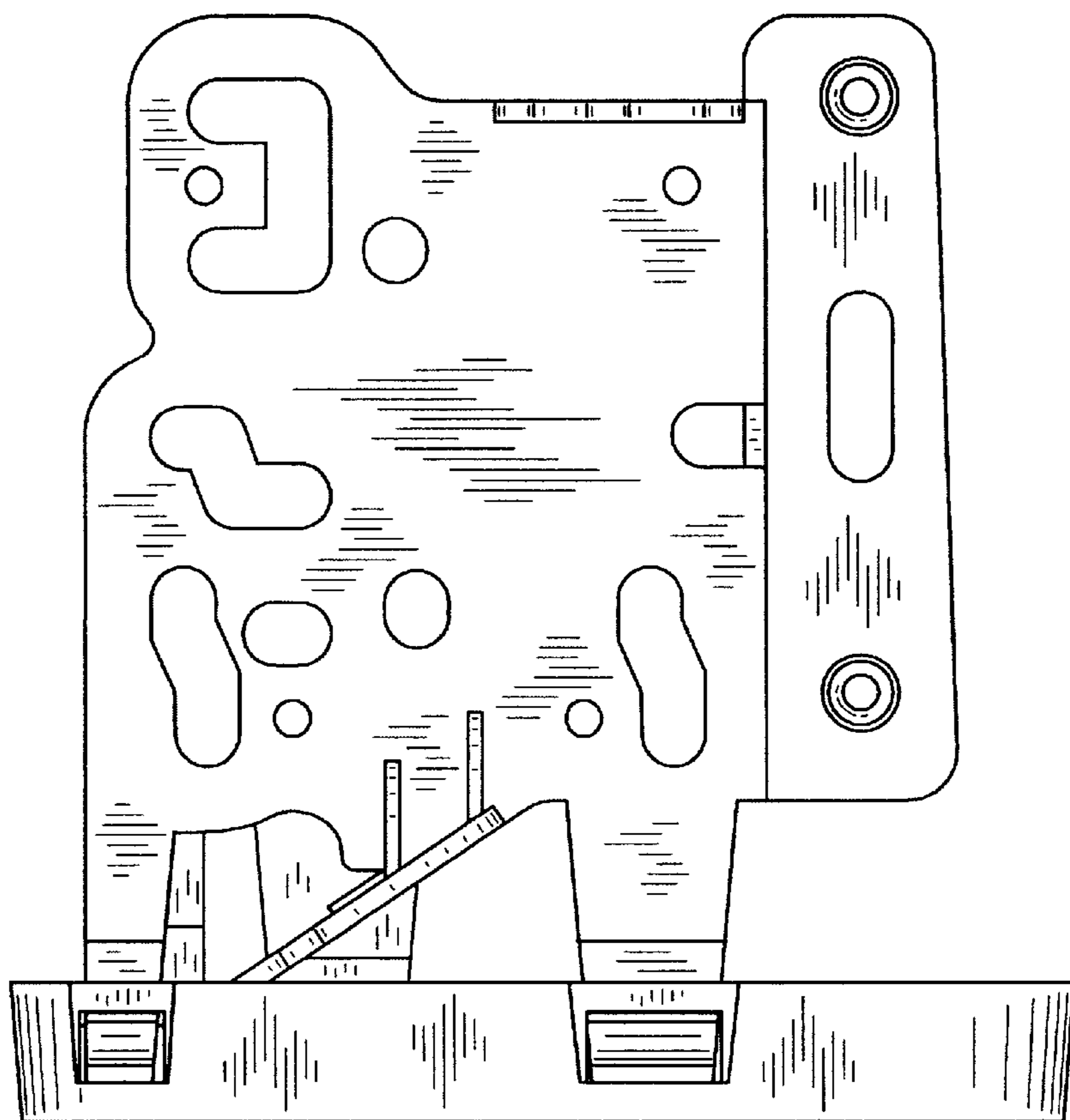


FIG. 4A

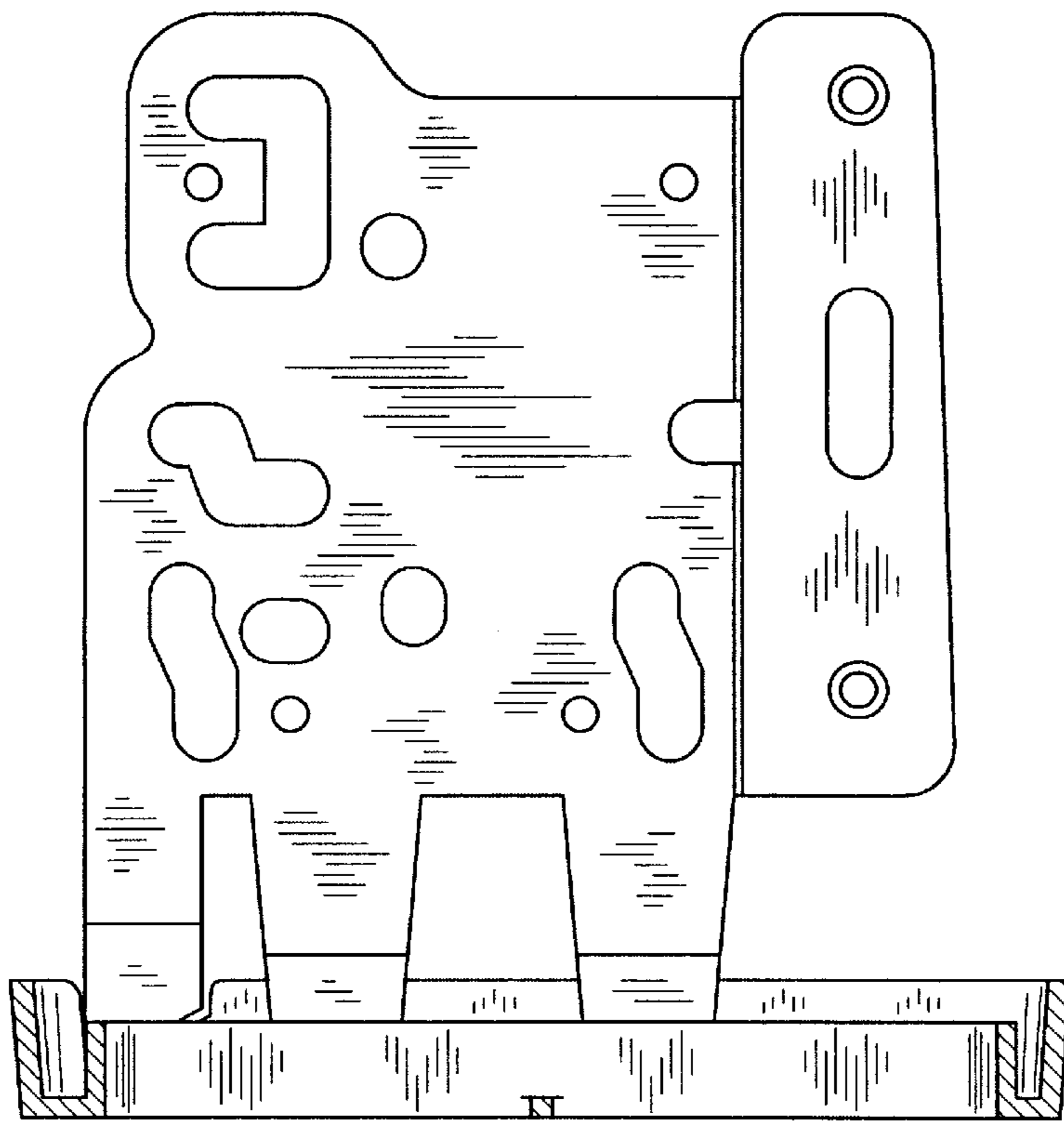


FIG. 4B

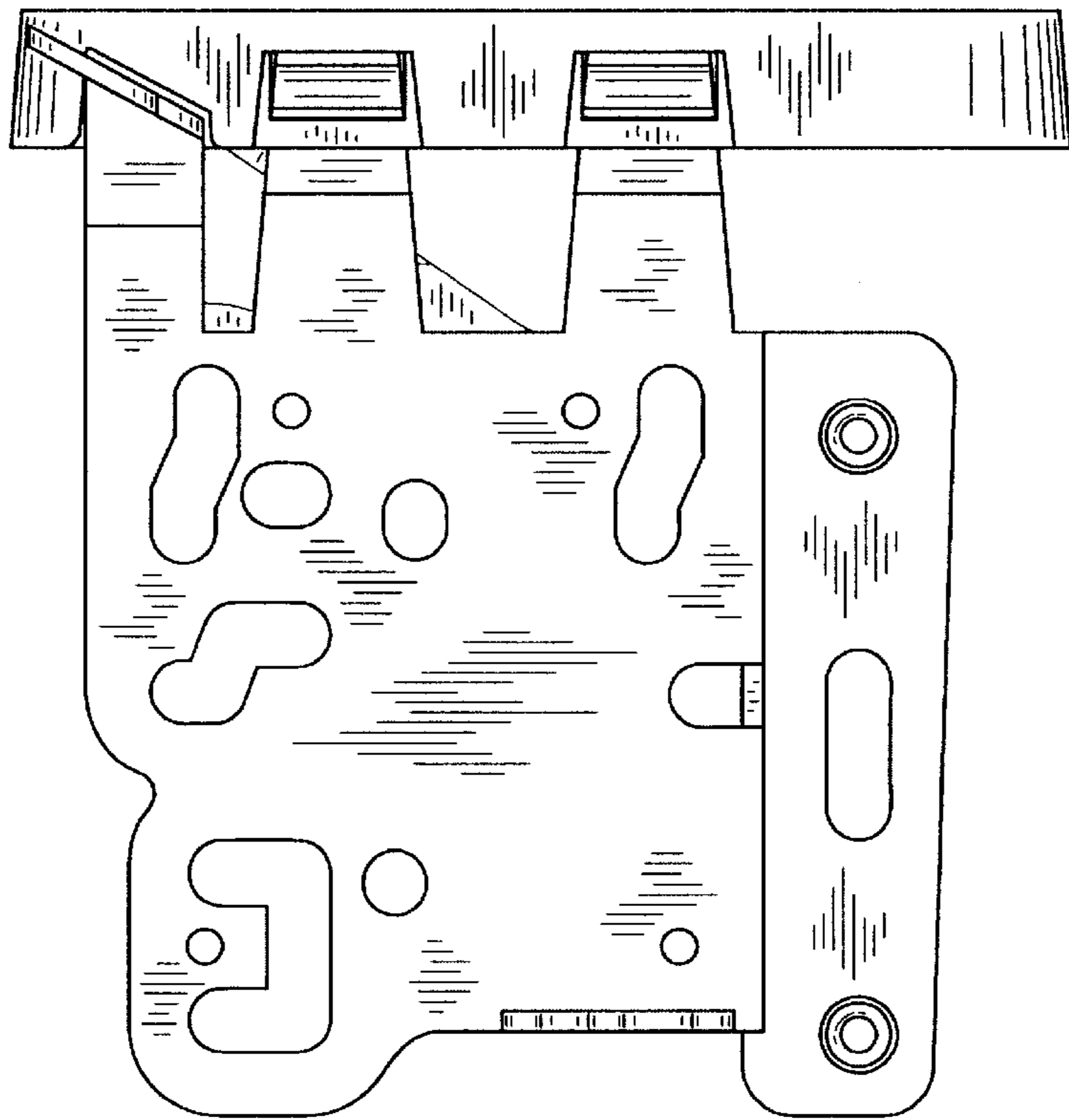


FIG. 5

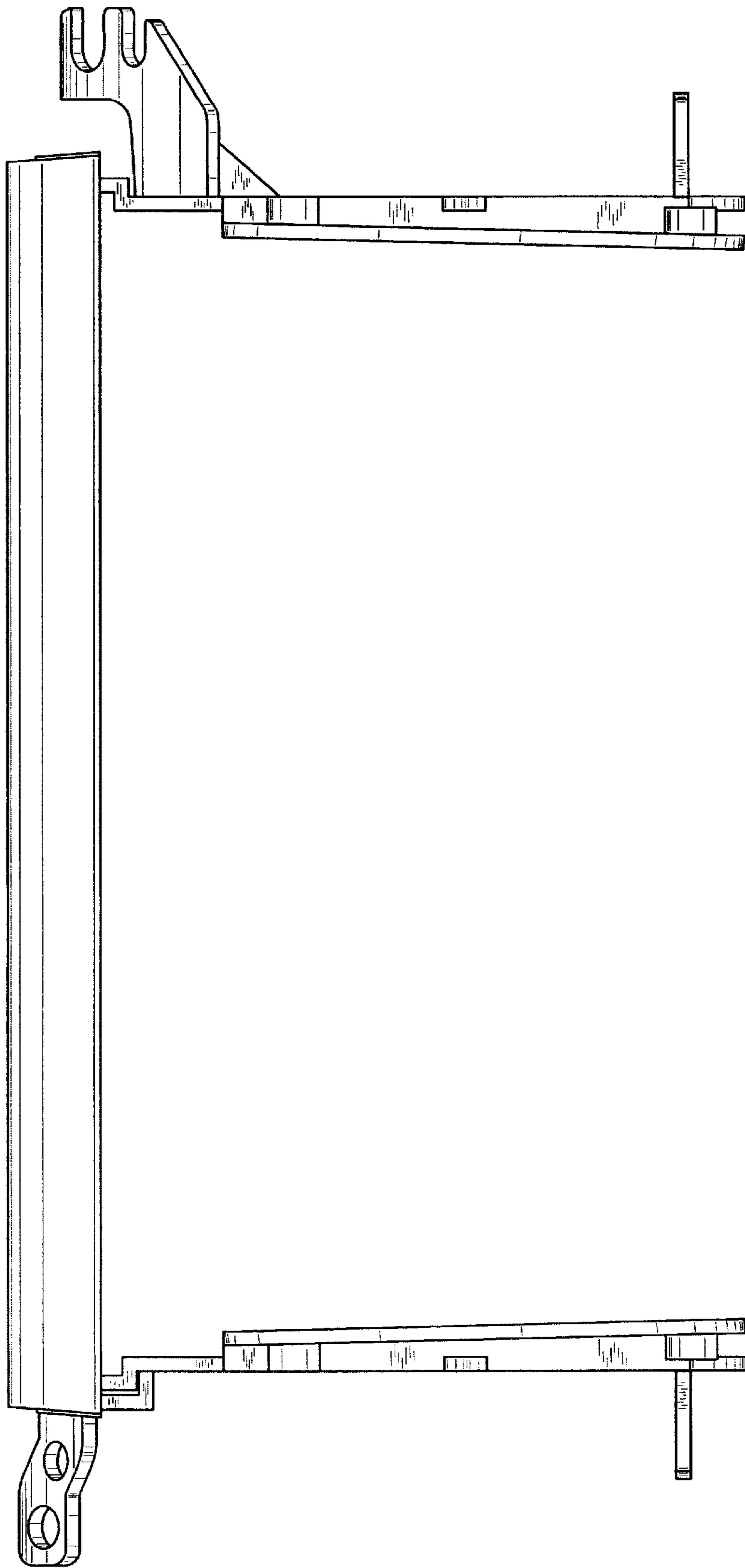


FIG. 6

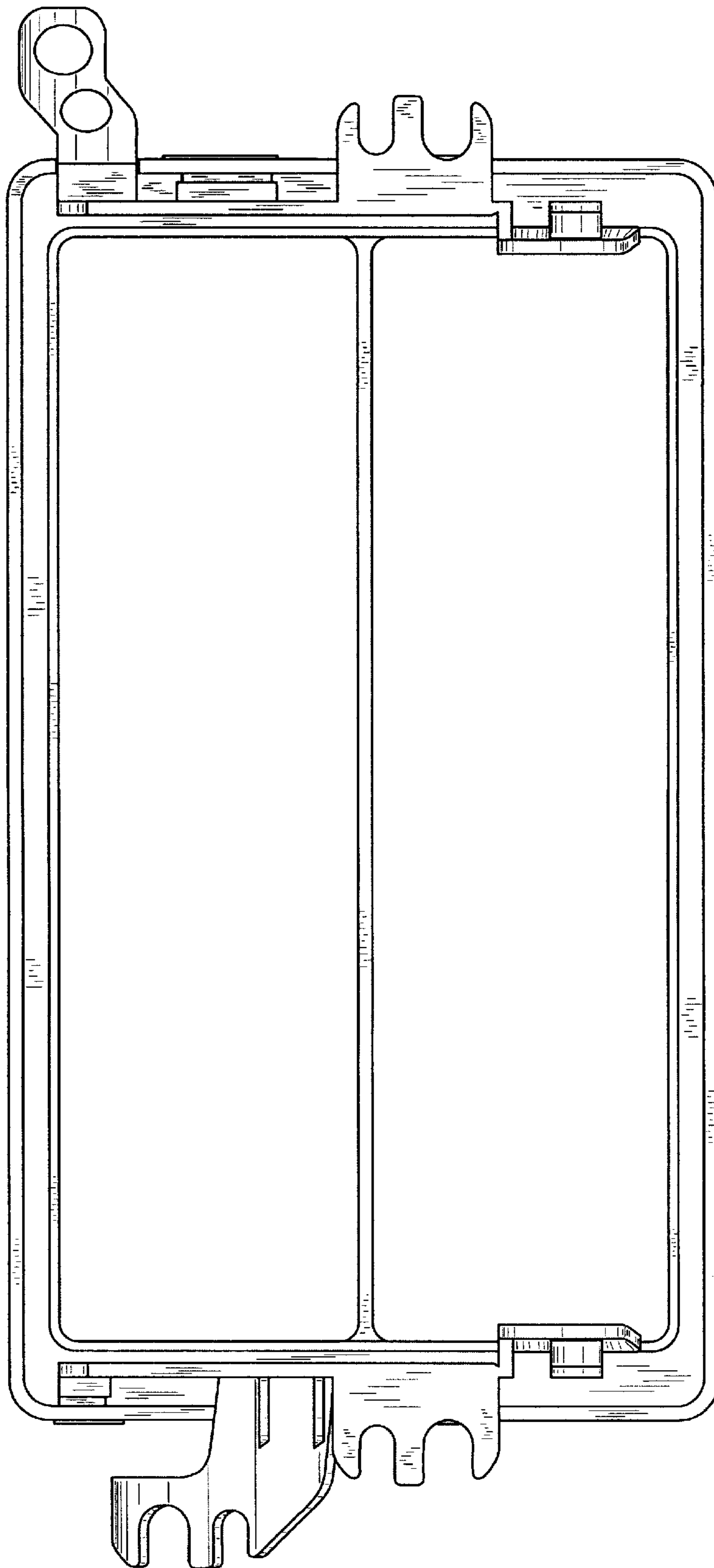


FIG. 7