



US00D481373S

(12) **United States Design Patent**
Sogabe

(10) **Patent No.:** **US D481,373 S**

(45) **Date of Patent:** **** Oct. 28, 2003**

(54) **COMBINED DISC PLAYER AND RADIO RECEIVER**

D450,692 S 11/2001 Hakoda

OTHER PUBLICATIONS

(75) Inventor: **Takashi Sogabe**, Tokyo (JP)

Catalog, "99" p. 188, SONY (Nov. 2001).

(73) Assignee: **Sony Corporation**, Tokyo (JP)

* cited by examiner

(**) Term: **14 Years**

Primary Examiner—Nanda Bondade

(21) Appl. No.: **29/165,832**

(74) *Attorney, Agent, or Firm*—Rader, Fishman & Grauer PLLC

(22) Filed: **Aug. 19, 2002**

(57) **CLAIM**

(51) **LOC (7) Cl.** **14-01**

The ornamental design for a combined disc player and radio receiver, as shown.

(52) **U.S. Cl.** **D14/168**

(58) **Field of Search** D14/135-136,
D14/156-157, 167-168, 188, 193-198,
257-258; 369/75.1, 75.2, 77.1, 77.2; 455/344,
347, 350-351

DESCRIPTION

(56) **References Cited**

U.S. PATENT DOCUMENTS

- D384,344 S * 9/1997 Doo D14/135
- D410,918 S 6/1999 Matsuzaka
- D430,123 S * 8/2000 Shinohara et al. D14/135
- 6,175,544 B1 * 1/2001 Shiomi 369/75.2
- D450,317 S 11/2001 Uehara

FIG. 1 is a perspective view of a combined disc player and radio receiver showing my new design;
FIG. 2 is a front elevational view thereof;
FIG. 3 is a rear elevational view thereof;
FIG. 4 is a left side elevational view thereof;
FIG. 5 is a right side elevational view thereof;
FIG. 6 is a top plan view thereof; and,
FIG. 7 is a bottom plan view thereof.

1 Claim, 4 Drawing Sheets

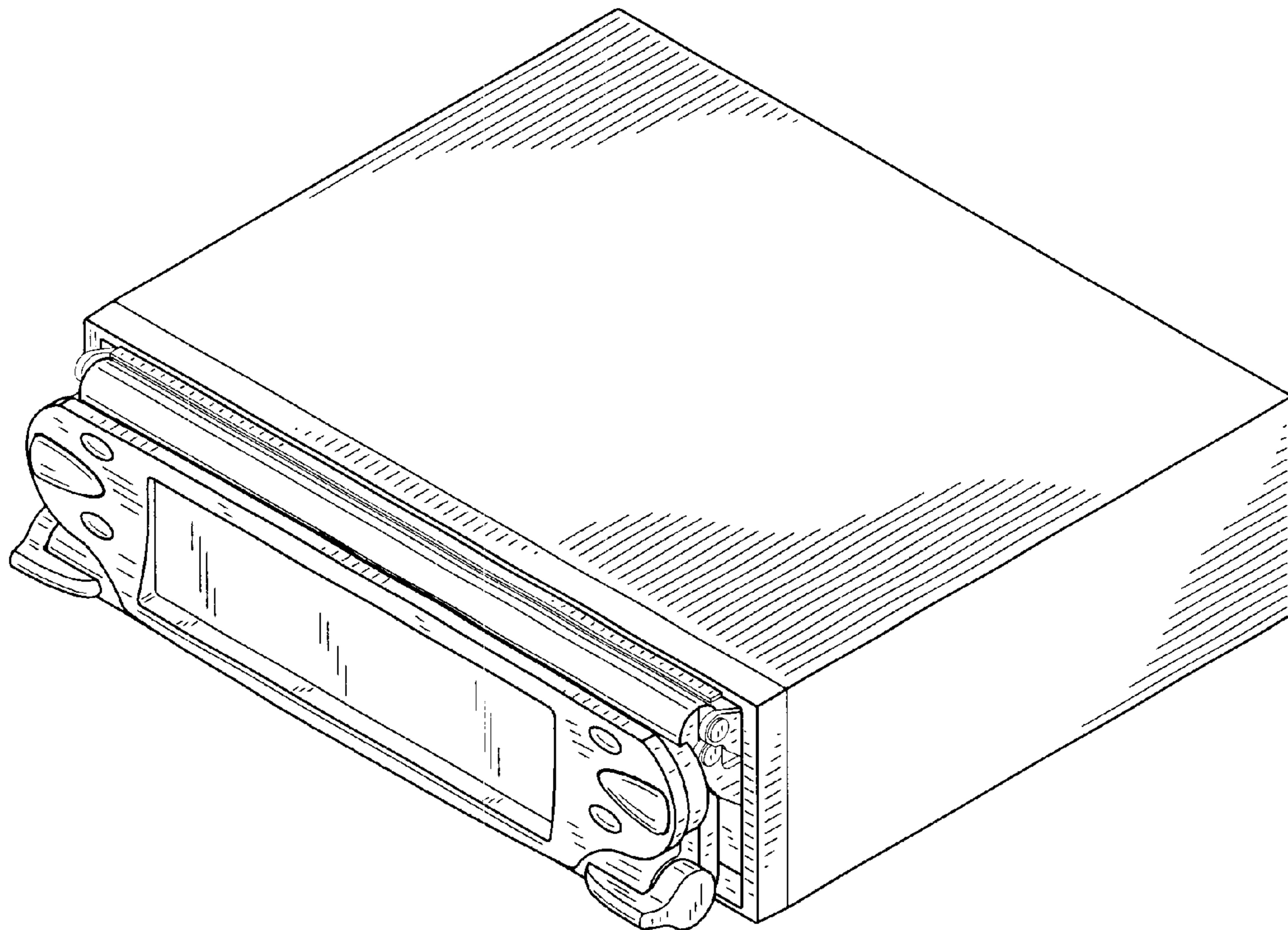


FIG. 1

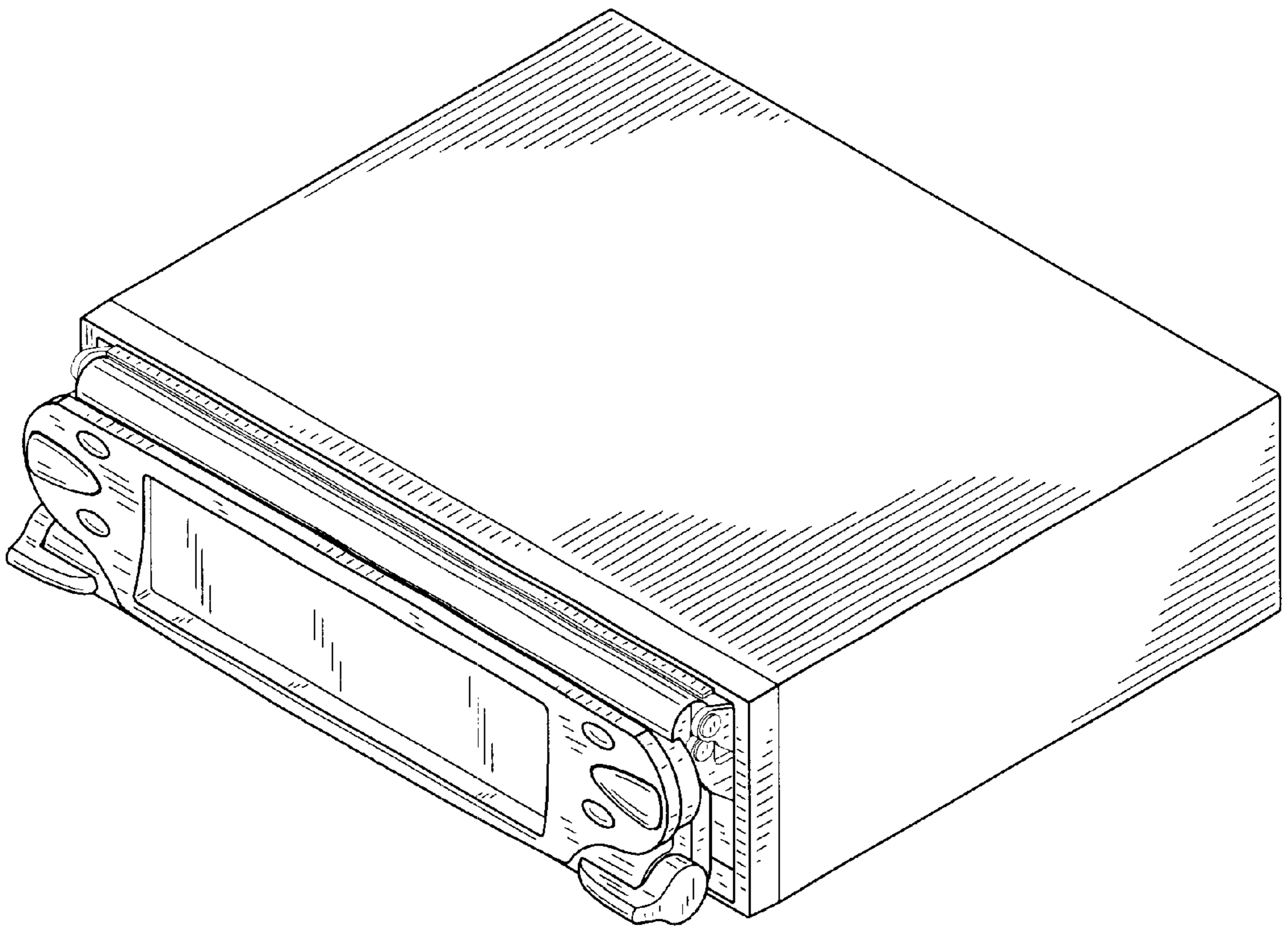


FIG. 2

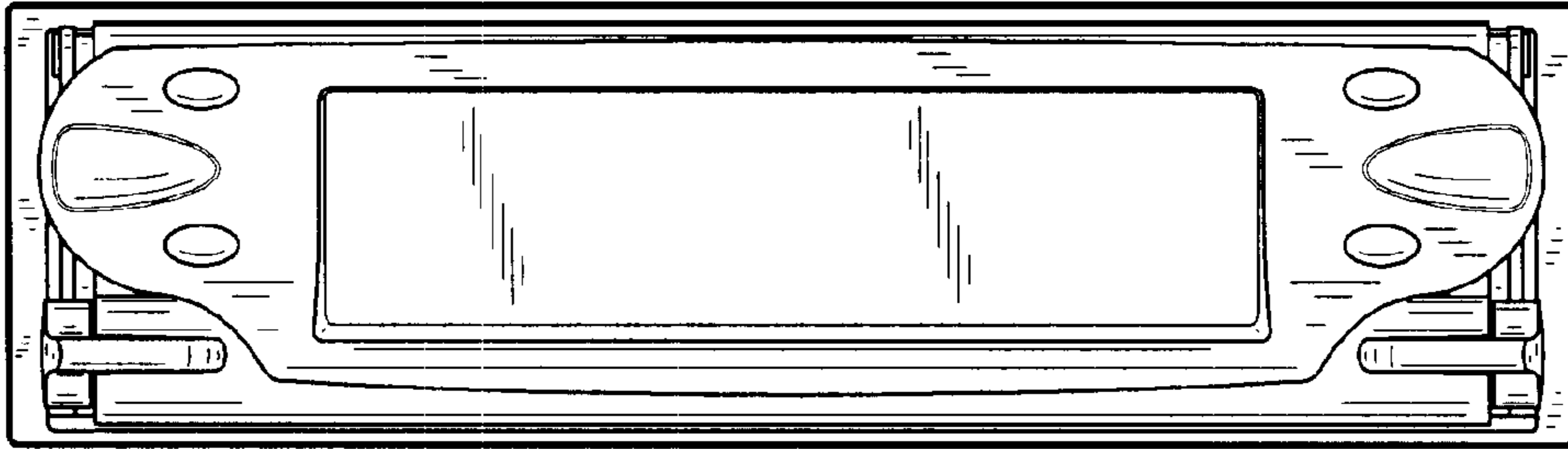


FIG. 3

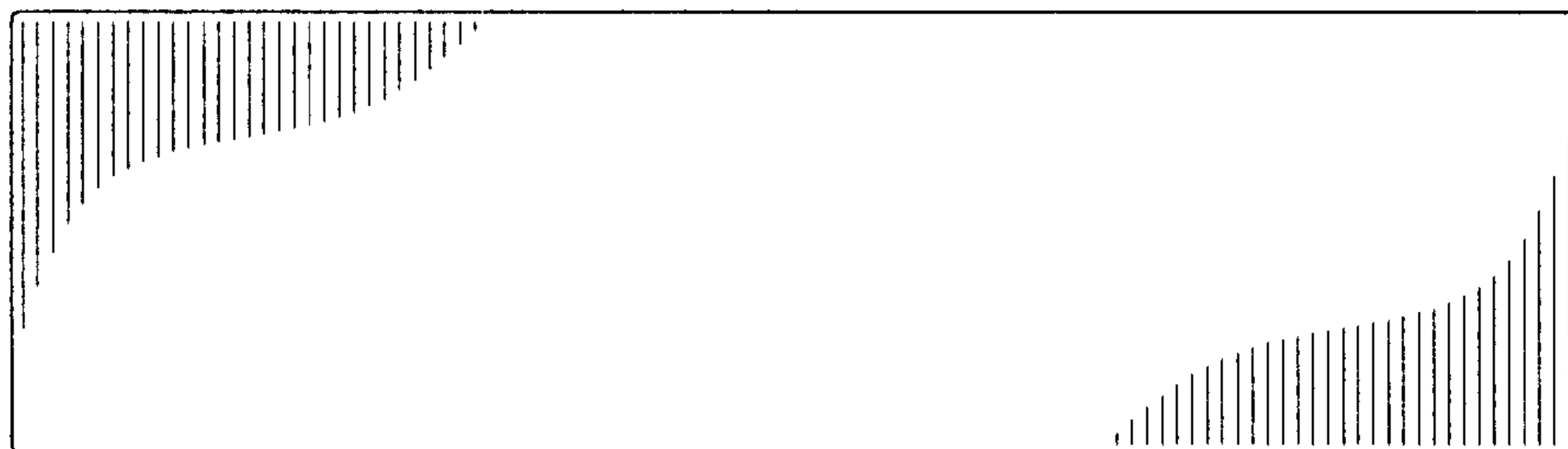


FIG. 4

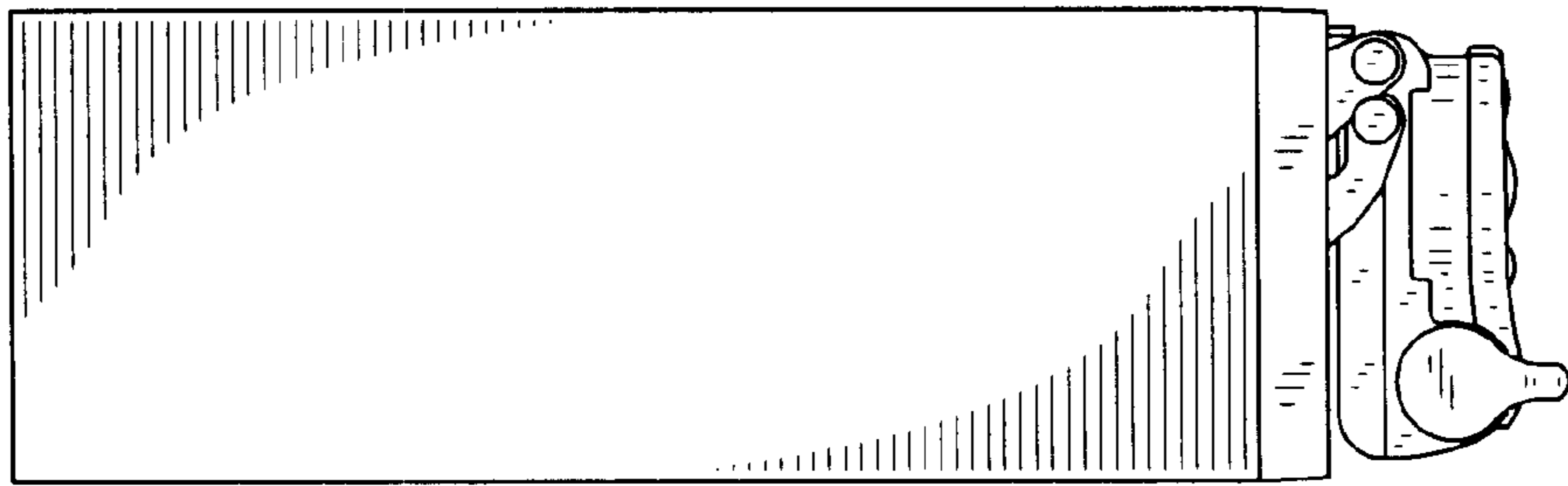


FIG. 5

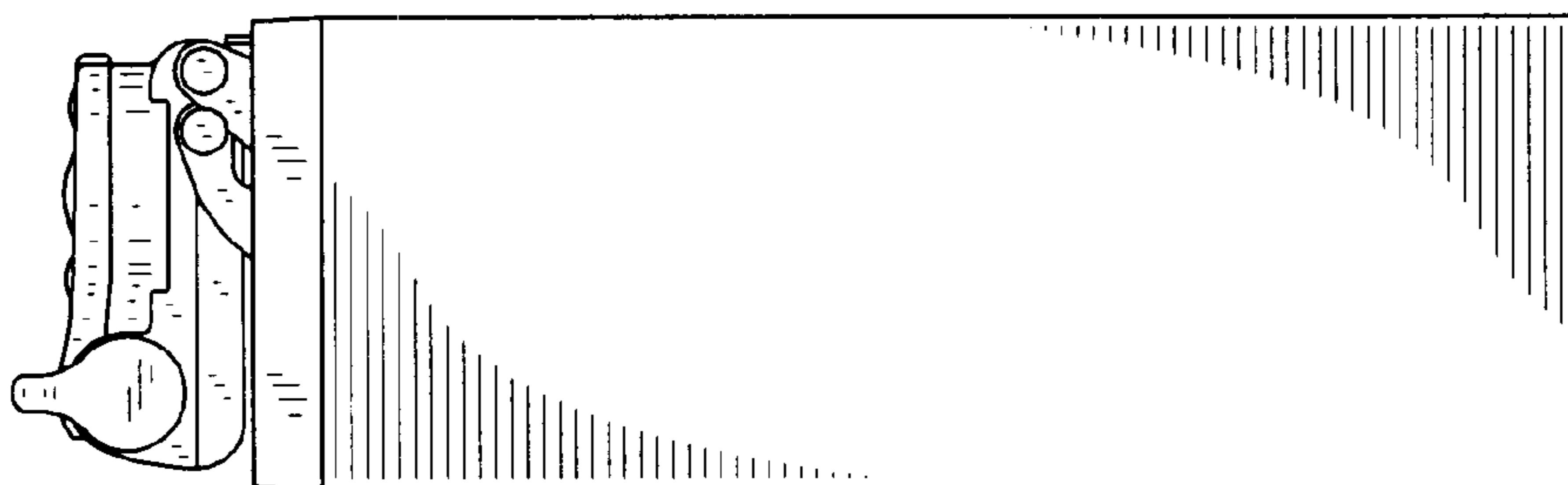


FIG. 6

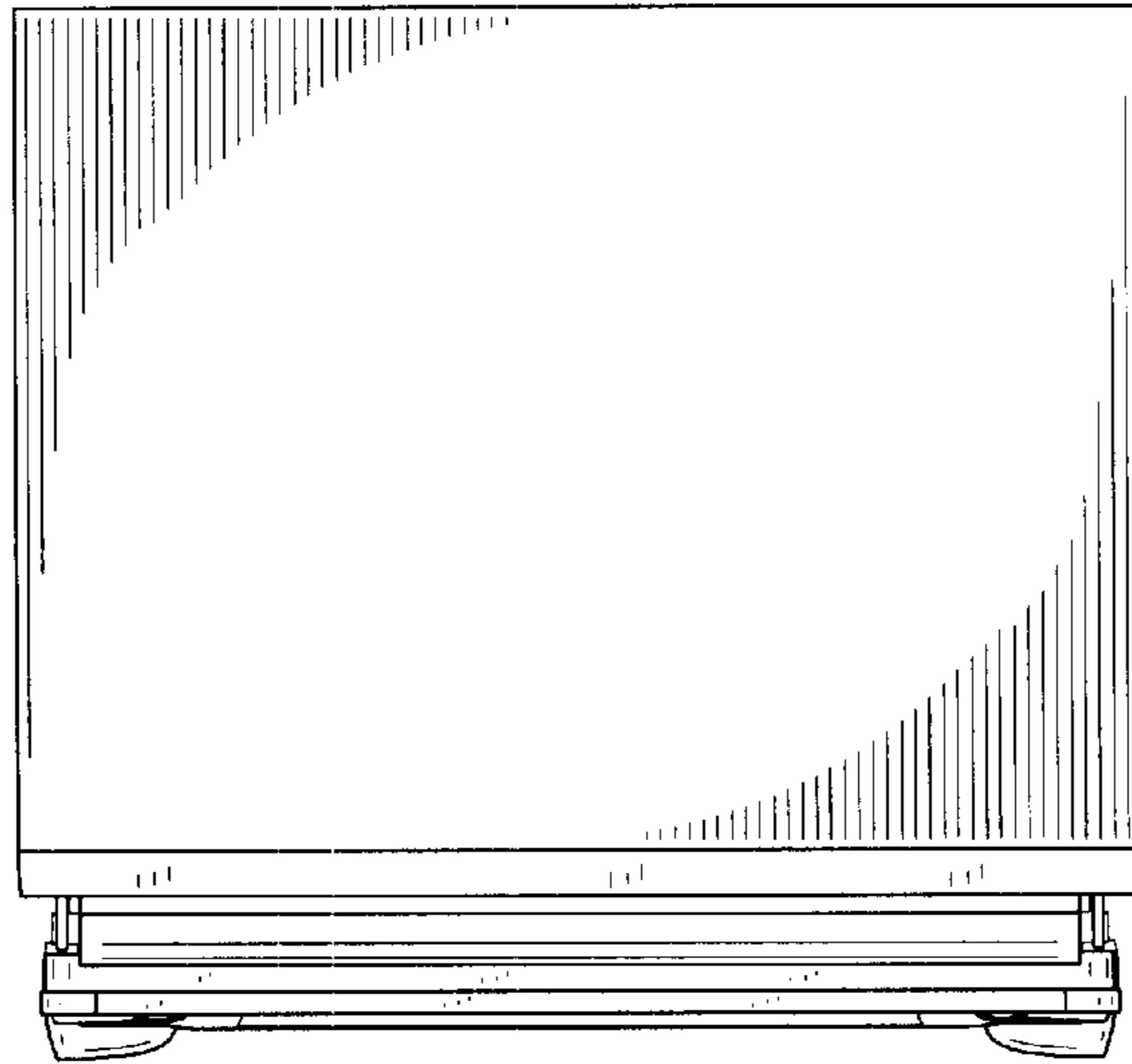


FIG. 7

