



US00D481371S

(12) **United States Design Patent**
Chen

(10) **Patent No.:** **US D481,371 S**

(45) **Date of Patent:** **** Oct. 28, 2003**

(54) **CONFERENCE SPEAKERPHONE**

(75) **Inventor:** **Tonny Chen, Chang-Hua (TW)**

(73) **Assignee:** **E-Lead Electronic Co., Ltd.,
Chang-Hua (TW)**

(**) **Term:** **14 Years**

(21) **Appl. No.:** **29/171,010**

(22) **Filed:** **Nov. 15, 2002**

(51) **LOC (7) Cl.** **14-03**

(52) **U.S. Cl.** **D14/150**

(58) **Field of Search** D14/149-151,
D14/243, 144; 379/202, 420.01, 420.02,
420.03, 428.01, 428.02, 428.03, 433.02,
433.03, 434, 436

(56) **References Cited**

U.S. PATENT DOCUMENTS

D342,732 S	*	12/1993	Hinman et al.	D14/150
D411,995 S	*	7/1999	Chen	D14/150
D449,285 S	*	10/2001	Wakefield et al.	D14/150
D473,546 S	*	4/2003	Hovanky et al.	D14/240

OTHER PUBLICATIONS

Hello Direct—Spring 1997, p. 48, top right.*
Hello Direct—Spring 2000, p. 33, far left center.*

* cited by examiner

Primary Examiner—Janice E. Seeger
(74) *Attorney, Agent, or Firm*—Troxell Law Office PLLC

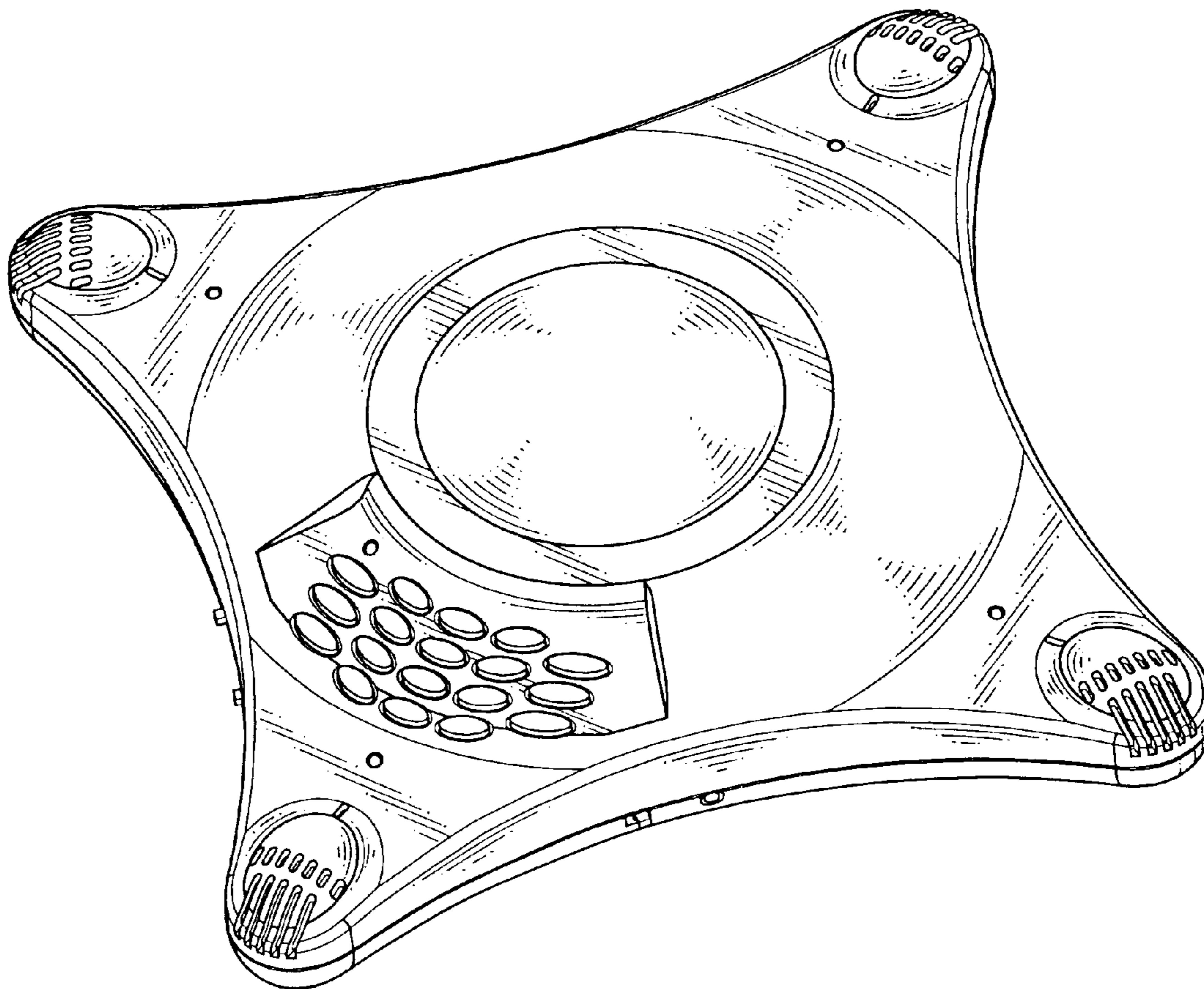
(57) **CLAIM**

The ornamental design for a conference speakerphone, as shown and described.

DESCRIPTION

FIG. 1 is a perspective view of conference speakerphone showing my new design,
FIG. 2 is a front elevation view thereof,
FIG. 3 is a rear elevation view thereof,
FIG. 4 is a left side elevation view thereof,
FIG. 5 is a right side elevation view thereof,
FIG. 6 is a top plan view thereof,
FIG. 7 is a bottom plan view thereof; and,
FIG. 8 is another perspective view thereof.

1 Claim, 6 Drawing Sheets



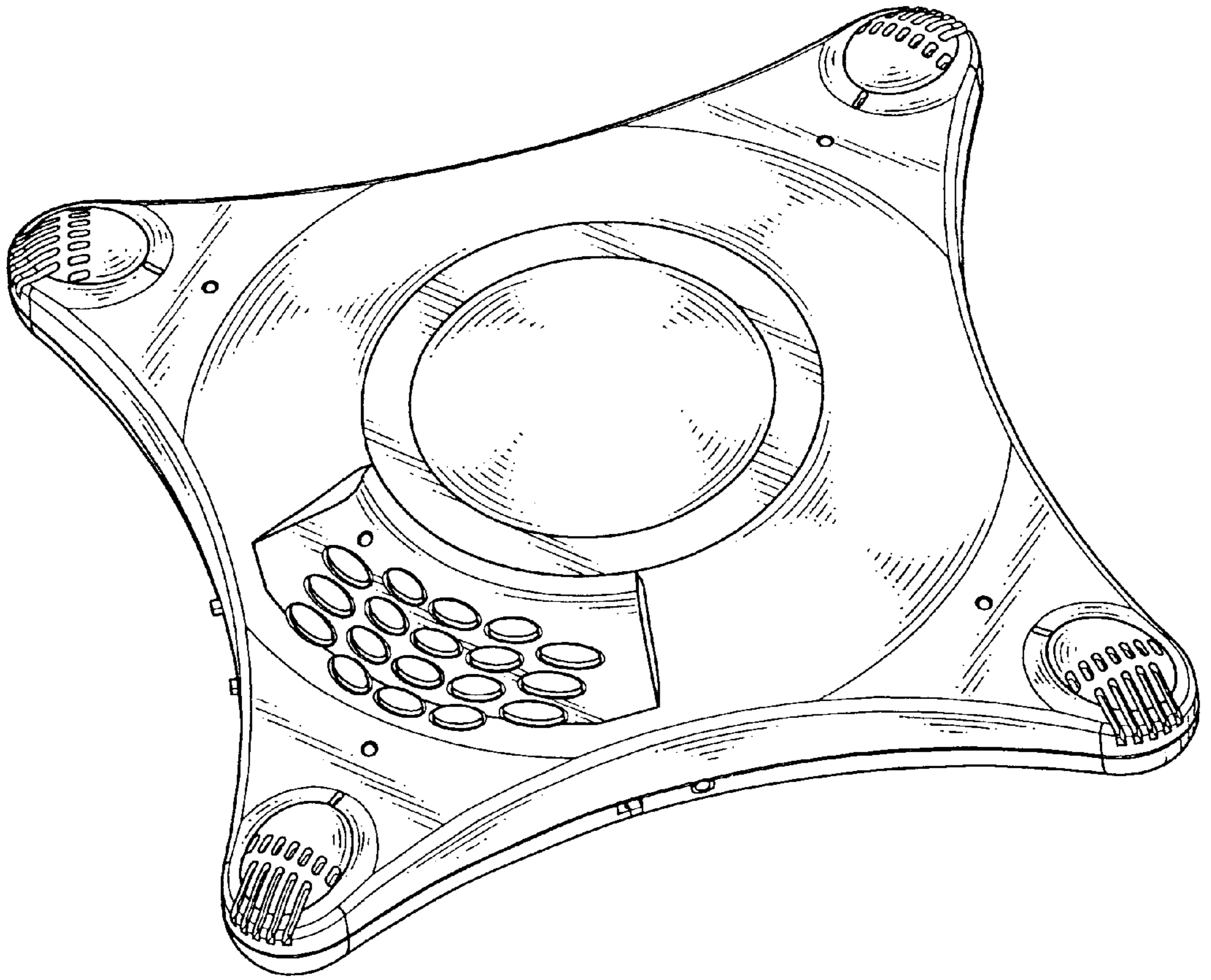


FIG. 1

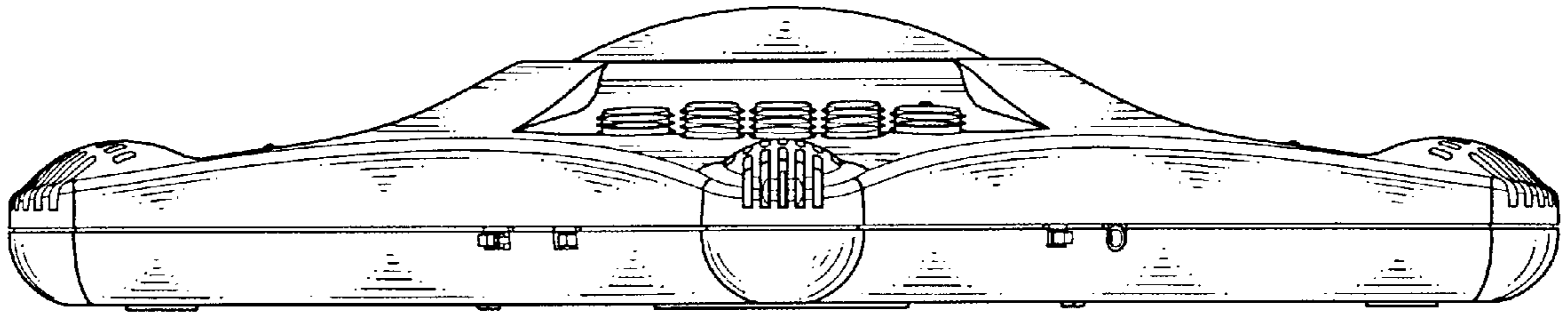


FIG. 2

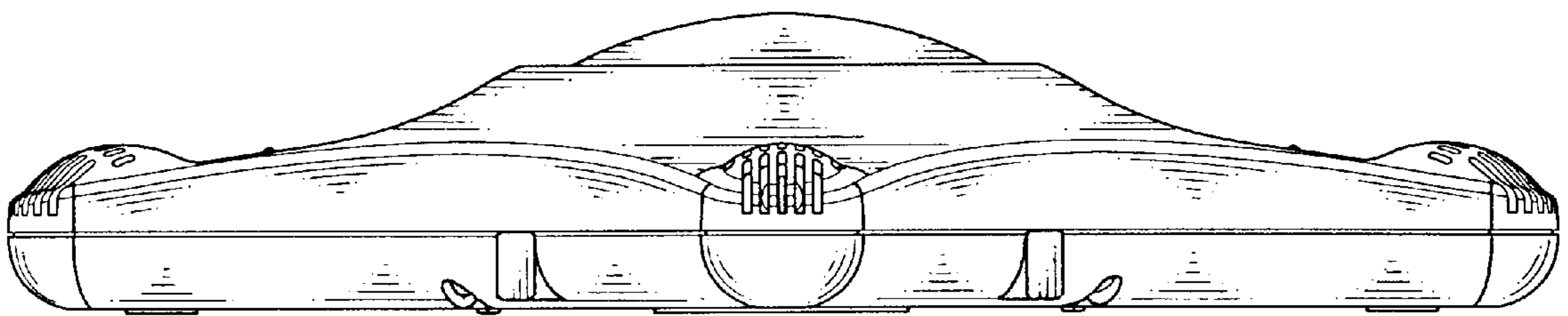


FIG. 3

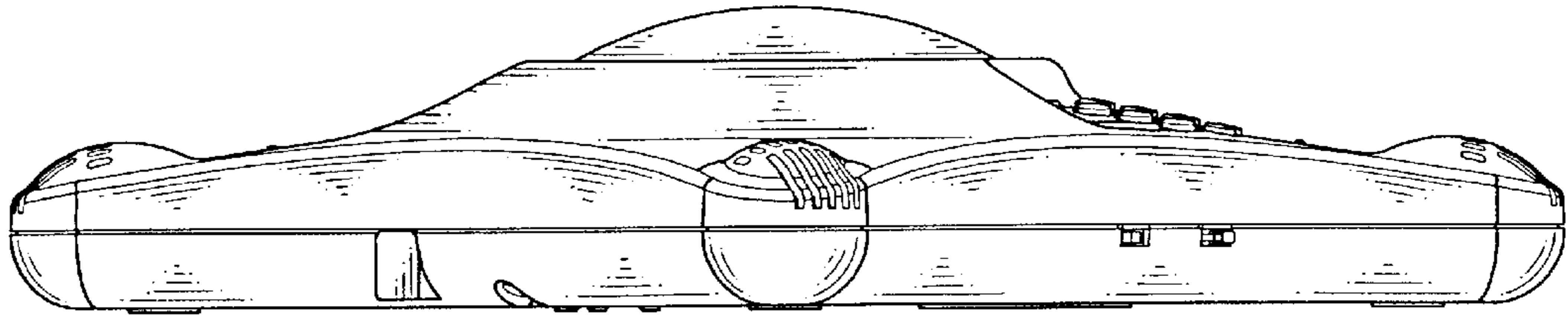


FIG. 4

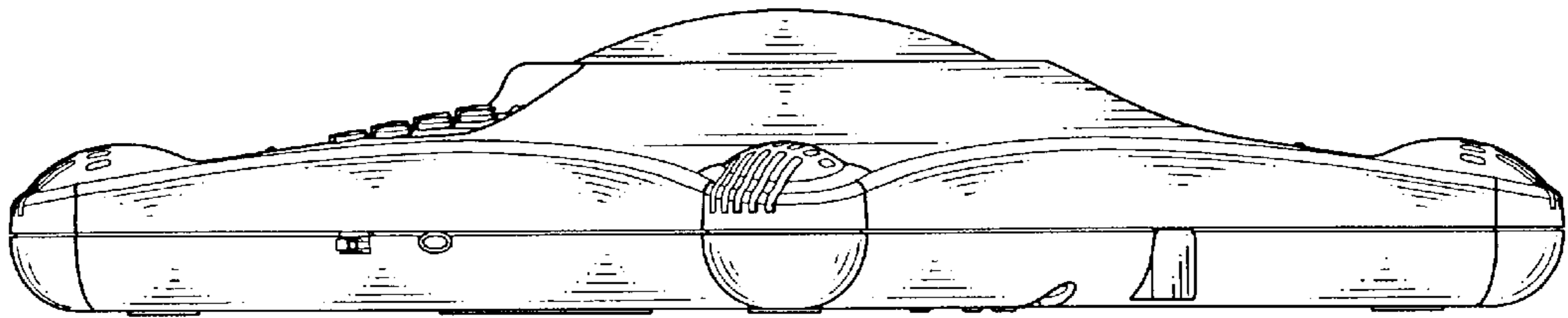


FIG. 5

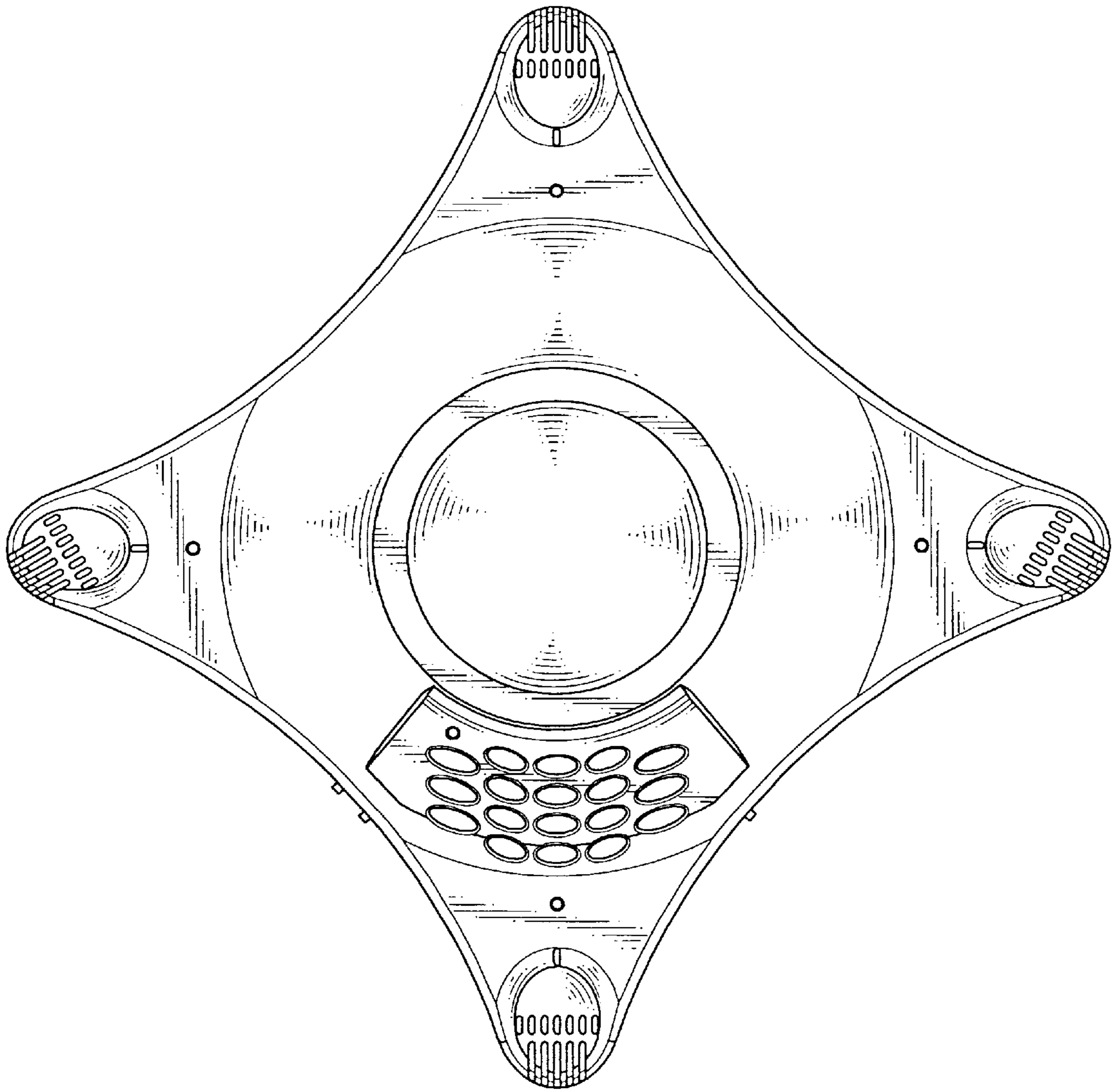


FIG. 6

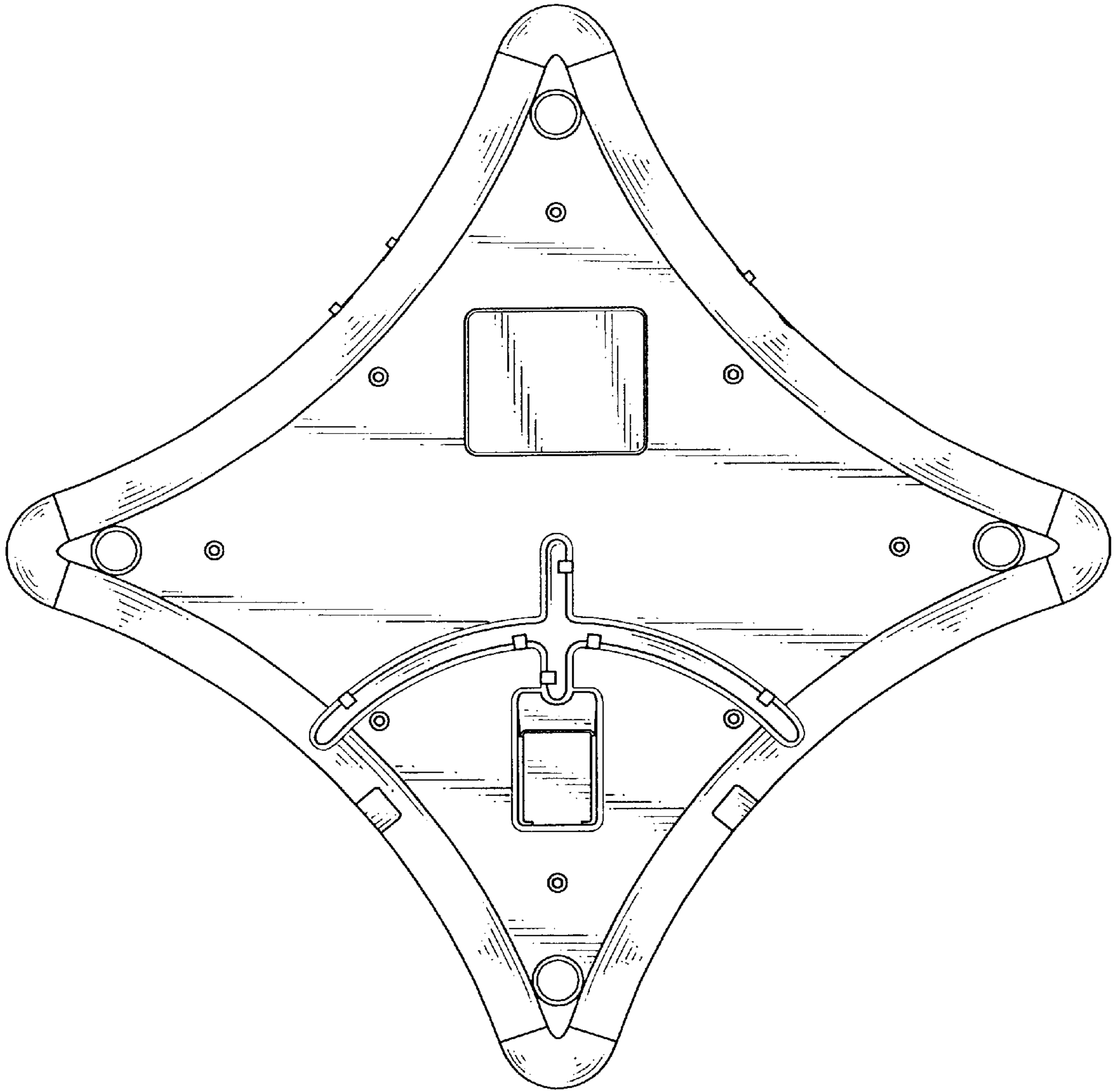


FIG. 7

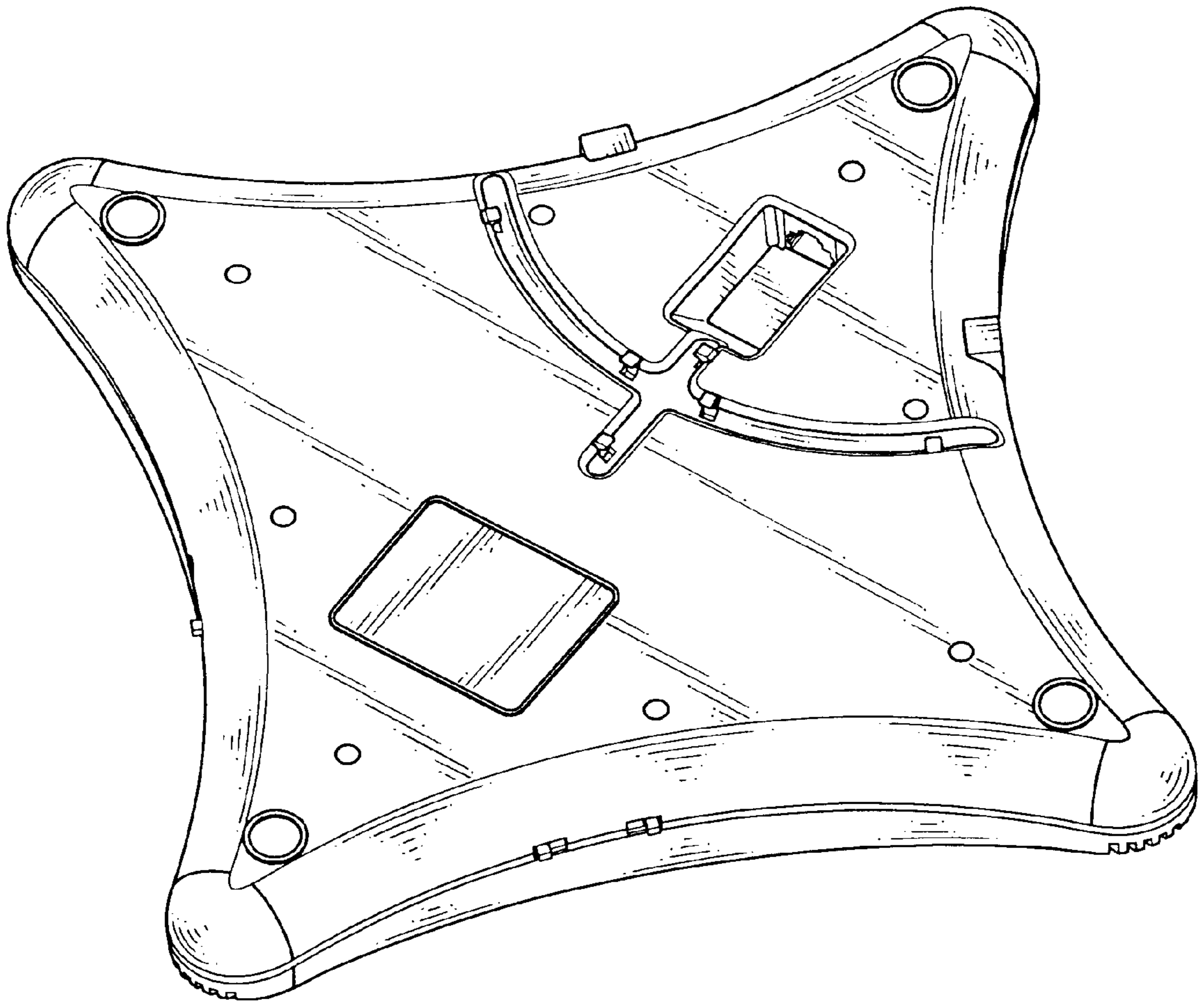


FIG. 8