



US00D481370S

(12) **United States Design Patent**
Popowski et al.

(10) **Patent No.:** **US D481,370 S**

(45) **Date of Patent:** **** Oct. 28, 2003**

(54) **TELECONFERENCING UNIT**

(75) **Inventors:** **Jeffrey Popowski**, Saint Paul, MN (US); **Lars Runquist**, Inver Grove Hgts., MN (US)

(73) **Assignee:** **Telex Communications, Inc.**, Burnsville, MN (US)

(**) **Term:** **14 Years**

(21) **Appl. No.:** **29/164,532**

(22) **Filed:** **Jul. 26, 2002**

(51) **LOC (7) Cl.** **14-03**

(52) **U.S. Cl.** **D14/150**

(58) **Field of Search** D14/149-151,
D14/143, 144, 243; 379/202, 420.01, 420.02,
420.03, 434, 436

(56) **References Cited**

U.S. PATENT DOCUMENTS

D294,824 S * 3/1988 Lin D14/150

D355,416 S * 2/1995 McCay et al. D14/137
D396,716 S * 8/1998 Matsuda et al. D14/150
6,016,346 A * 1/2000 Rittmueller et al. 379/420

* cited by examiner

Primary Examiner—Janice E. Seeger

(74) *Attorney, Agent, or Firm*—Fredrikson & Byron, P.A.

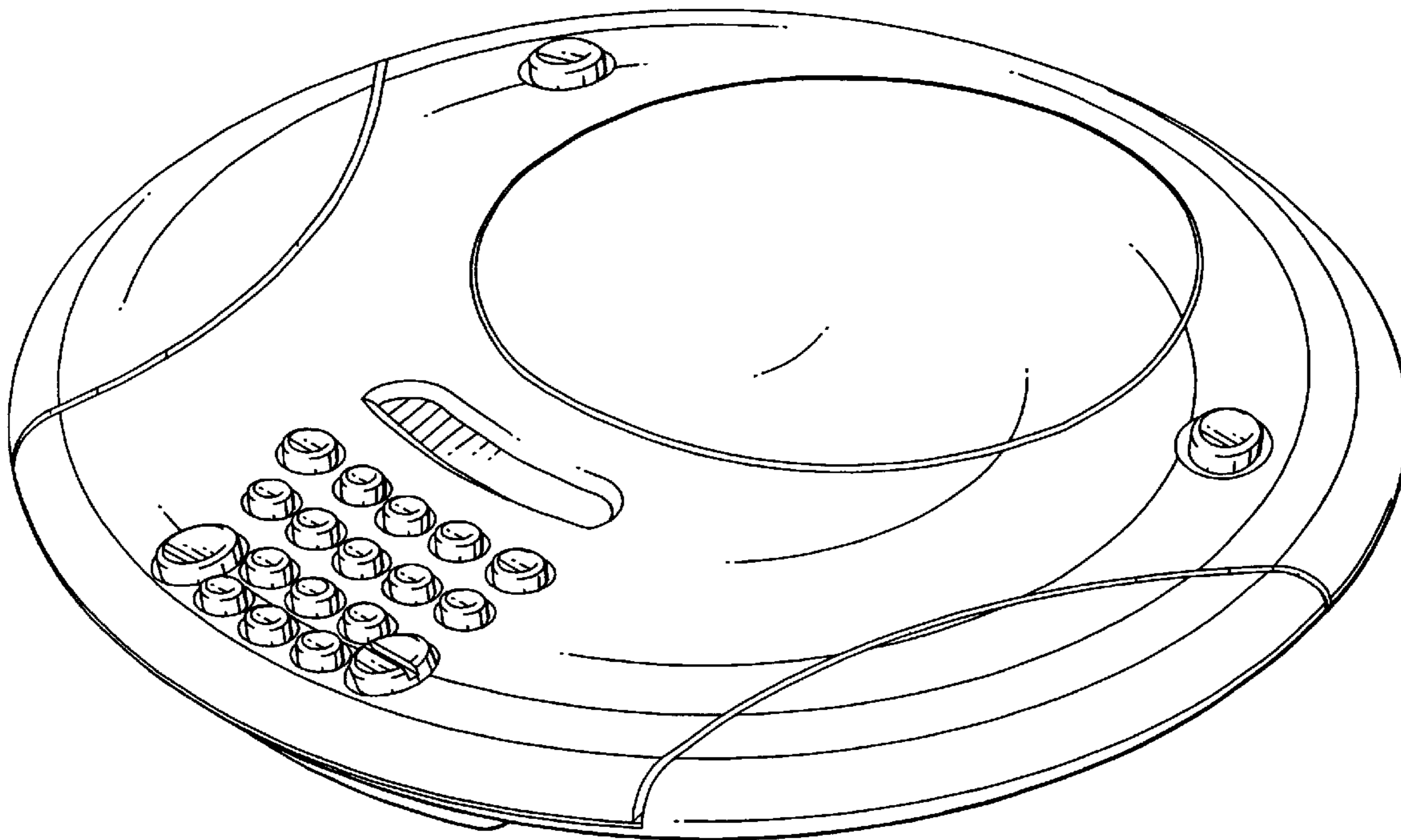
(57) **CLAIM**

The ornamental design for the teleconferencing unit, as shown and described.

DESCRIPTION

FIG. 1 is a perspective view of the teleconferencing unit of the design as seen from the top, front and one side; FIG. 2 is a top plan view thereof; FIG. 3 is a bottom plan view thereof; FIG. 4 is a front elevation view thereof; FIG. 5 is a rear elevation view thereof; and, FIG. 6 is a right side elevation view thereof, the left side elevation view being a mirror image of the right side elevation view.

1 Claim, 4 Drawing Sheets



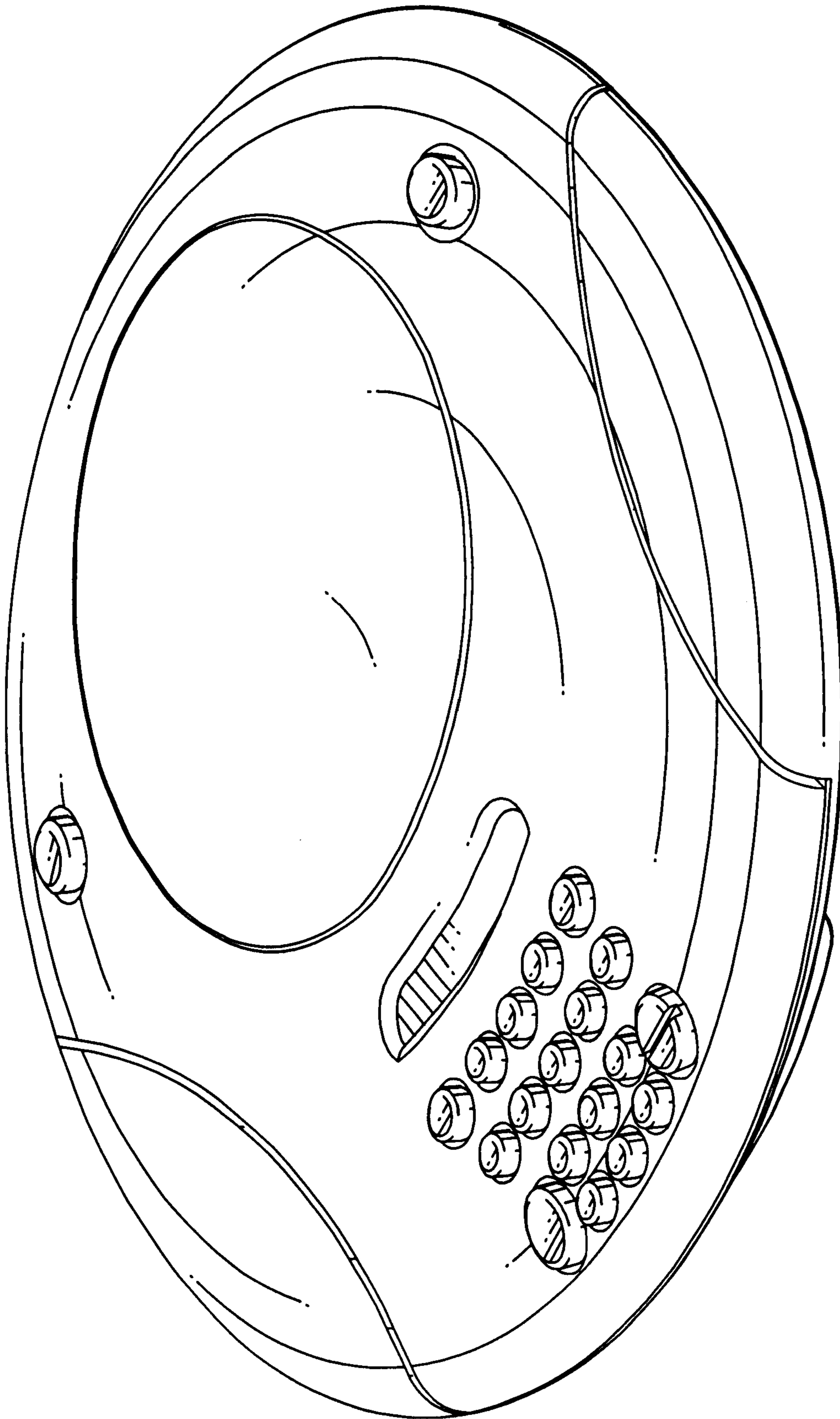


FIG. 1

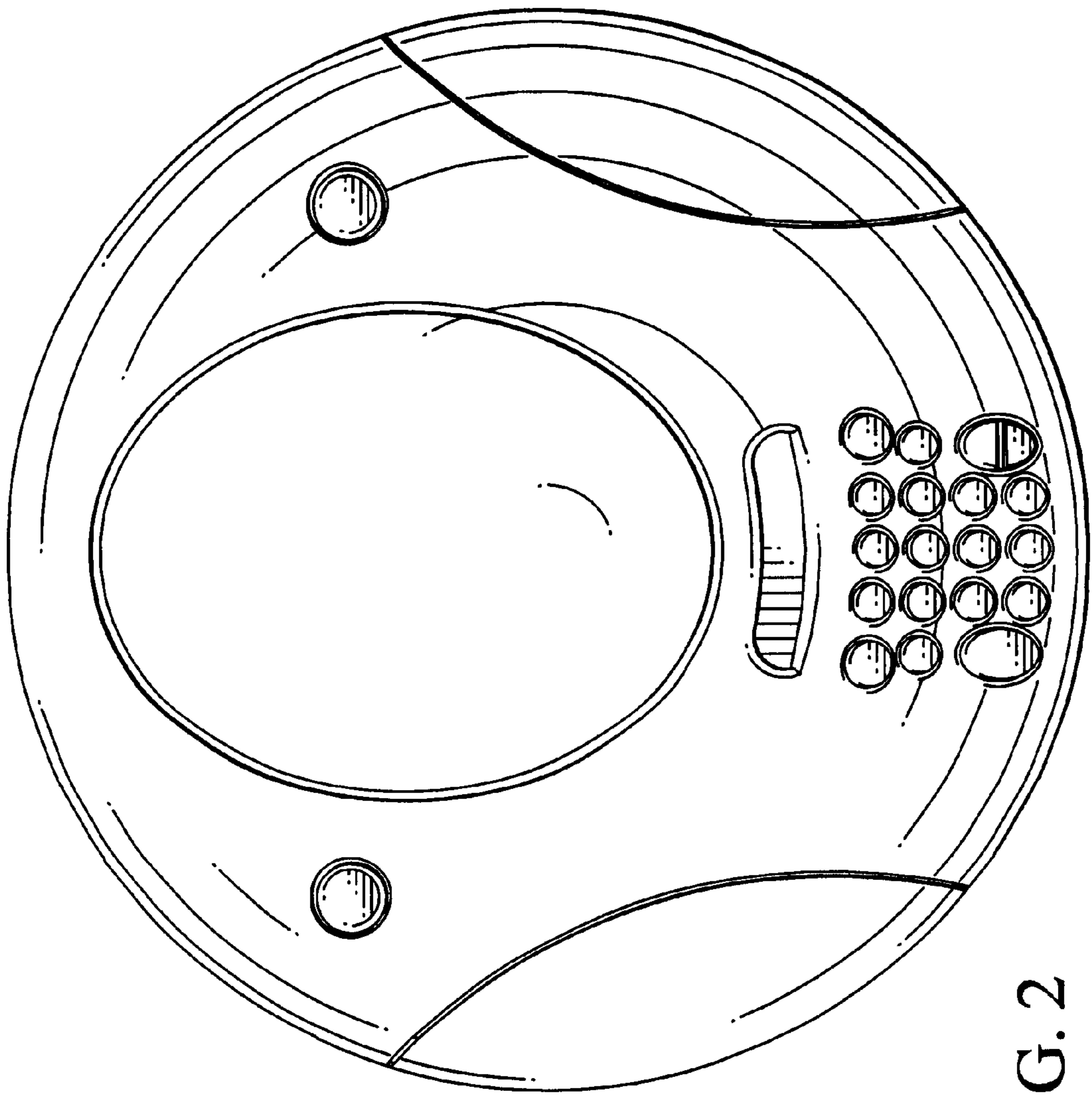


FIG. 2

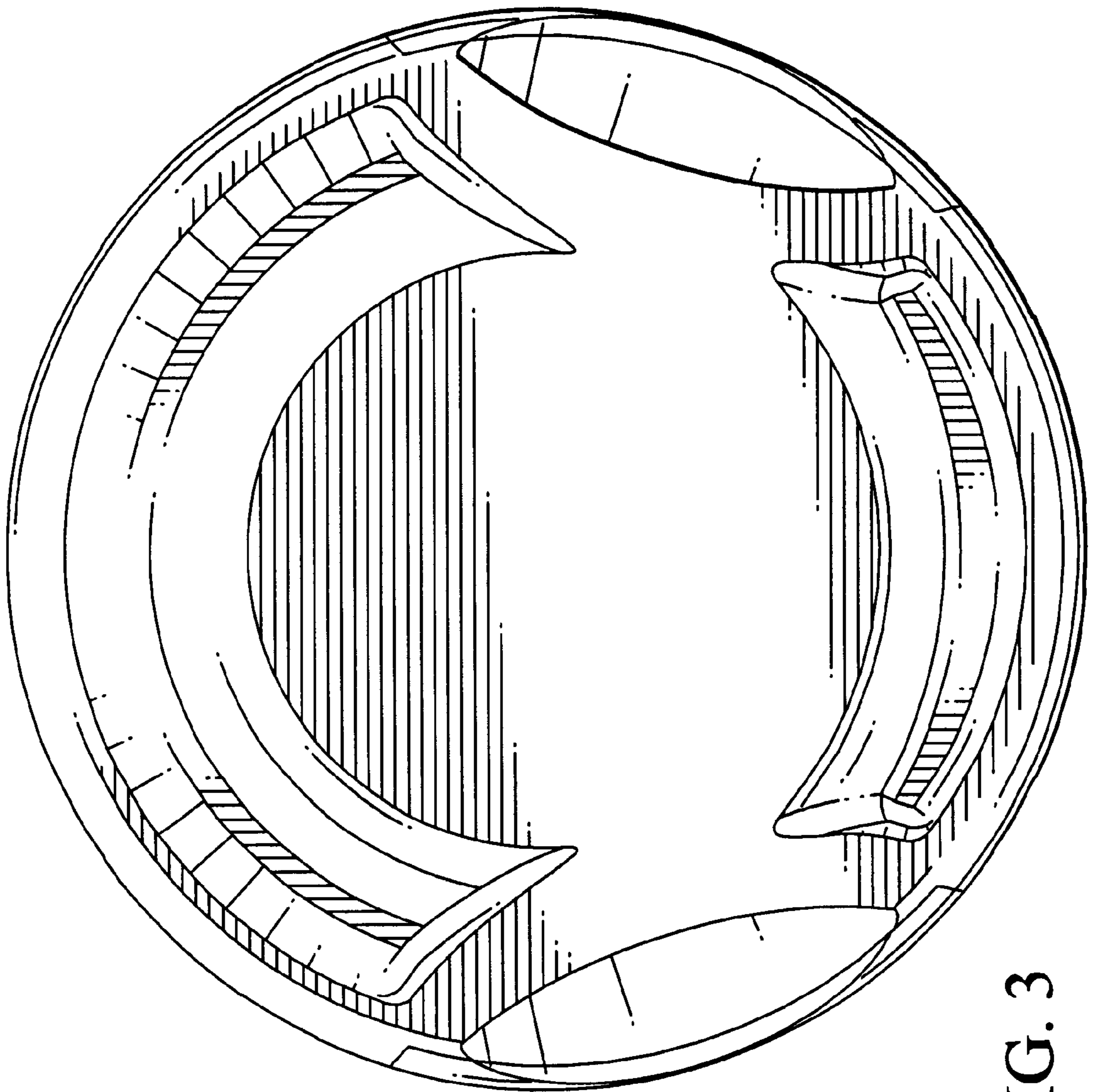


FIG. 3

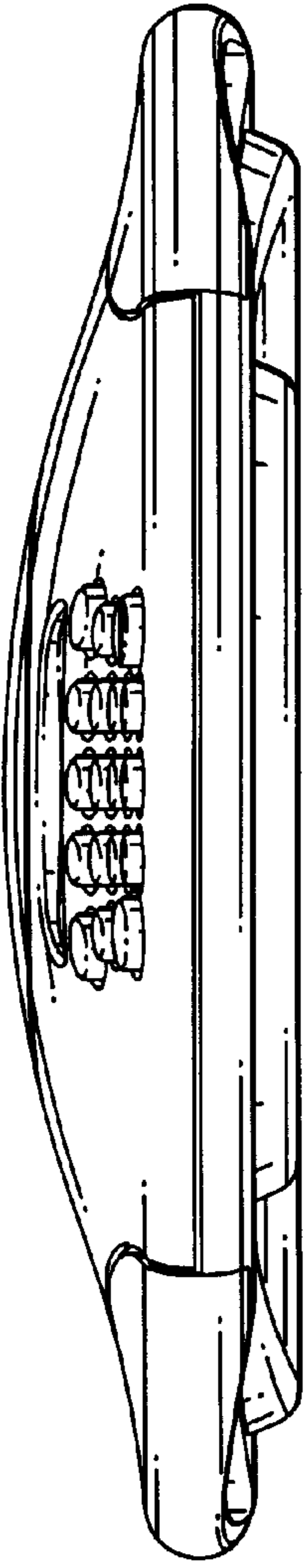


FIG. 4

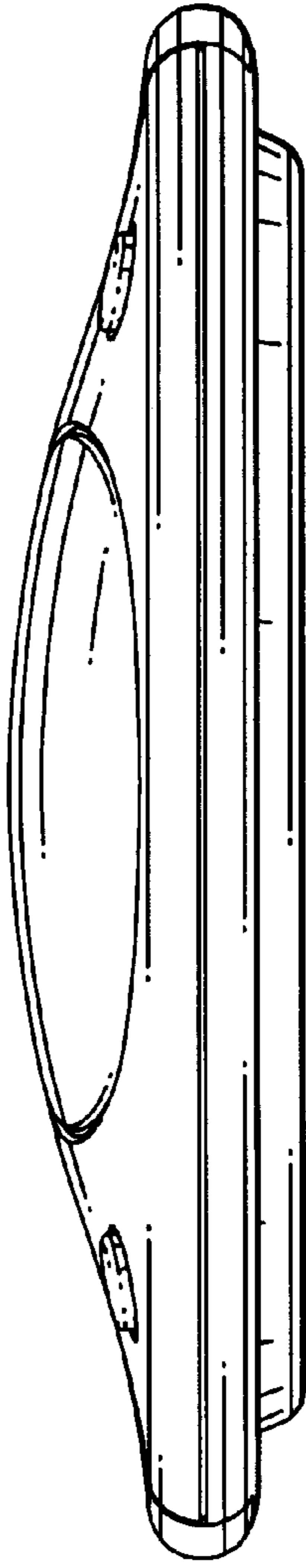


FIG. 5



FIG. 6