



US00D481364S

(12) **United States Design Patent**
Kosumsuppamala et al.

(10) **Patent No.:** **US D481,364 S**

(45) **Date of Patent:** **** Oct. 28, 2003**

(54) **HEATING PAD CONTROLLER**

(75) Inventors: **Suppawat Kosumsuppamala**, Lake Worth, FL (US); **Augusto A. Picozza**, Boca Raton, FL (US); **Gabriel Kohn**, Boca Raton, FL (US); **Adam Day**, Lauderhill, FL (US)

(73) Assignee: **Sunbeam Products, Inc.**, Boca Raton, FL (US)

(**) Term: **14 Years**

(21) Appl. No.: **29/174,134**

(22) Filed: **Jan. 9, 2003**

(51) **LOC (7) Cl.** **13-03**

(52) **U.S. Cl.** **D13/168**

(58) **Field of Search** D13/168; D14/218; D15/144, 144.1; 219/212, 492, 497, 501, 528; 323/288; 455/151.1-151.4, 352-355

(56) **References Cited**

U.S. PATENT DOCUMENTS

D341,569 S * 11/1993 Prins et al. D13/168
5,451,747 A * 9/1995 Sullivan et al. 219/528

D451,076 S * 11/2001 Sommer et al. D13/168

D451,077 S * 11/2001 Montagnino et al. D13/168

D451,483 S * 12/2001 Montagnino et al. D13/168

D456,366 S * 4/2002 Montagnino et al. D13/168

* cited by examiner

Primary Examiner—James Gandy

Assistant Examiner—Selina Sikder

(74) *Attorney, Agent, or Firm*—Lawrence J. Shurupoff

(57) **CLAIM**

The ornamental design for a heating pad controller, as shown and described.

DESCRIPTION

FIG. 1 is a top right perspective view of the controller showing the new design;

FIG. 2 is a top plan view thereof;

FIG. 3 is a right side elevation view, the left side being a mirror image thereof;

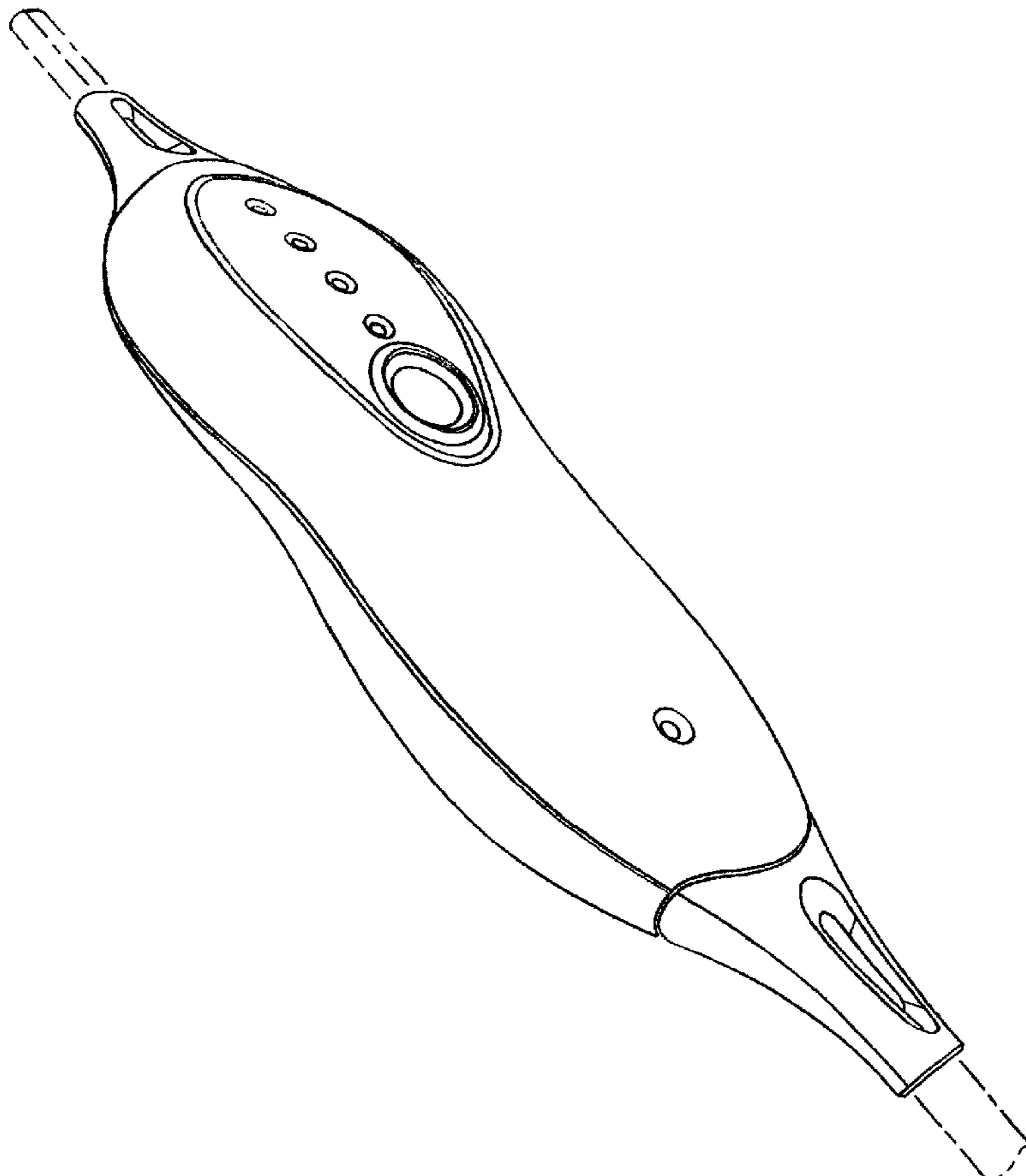
FIG. 4 is a bottom plan view thereof;

FIG. 5 is a front elevation view thereof; and,

FIG. 6 is a rear elevation view thereof.

The broken line showing of the cord is for illustrative purpose only and forms no part of the claimed design.

1 Claim, 2 Drawing Sheets



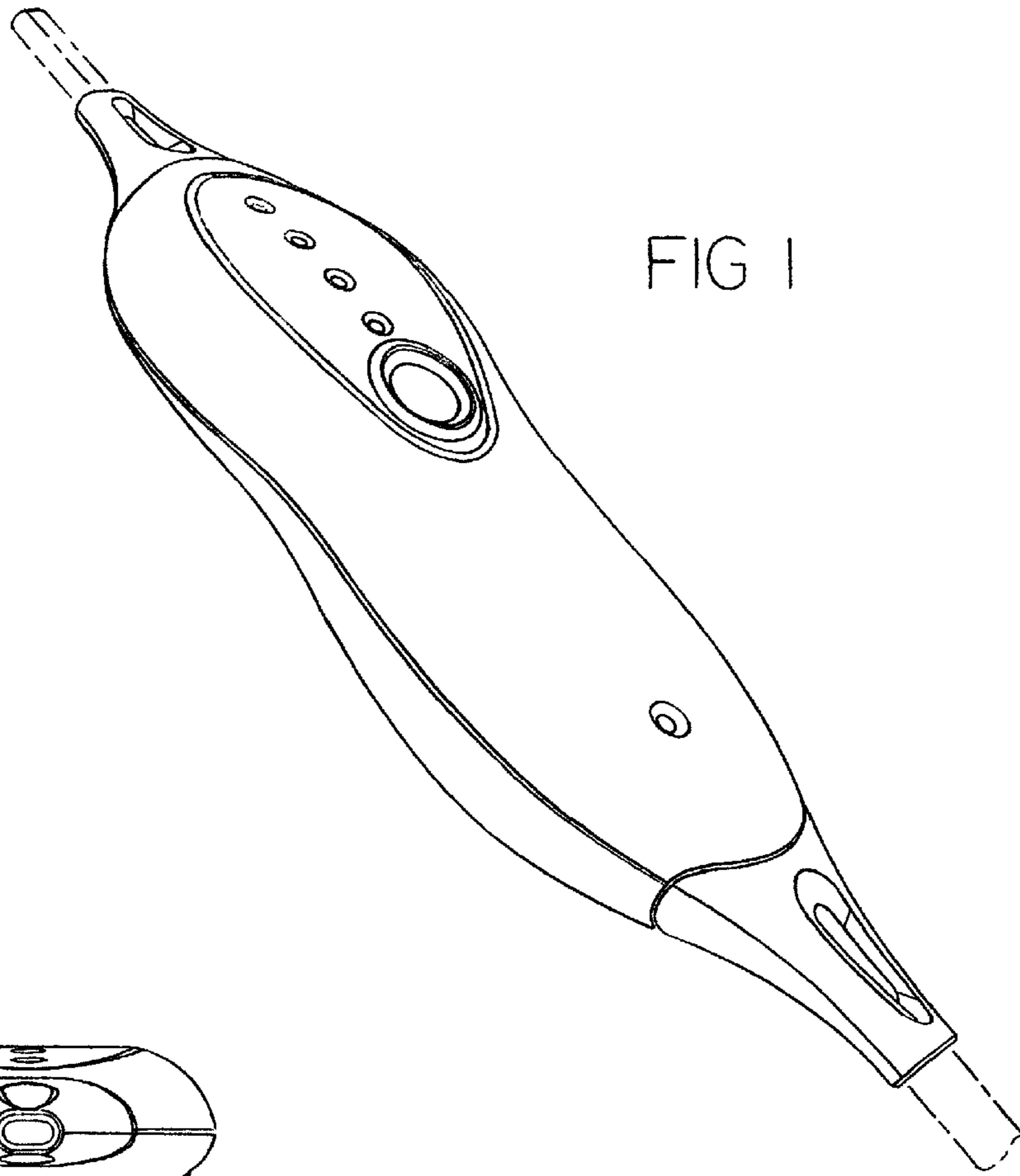


FIG 1

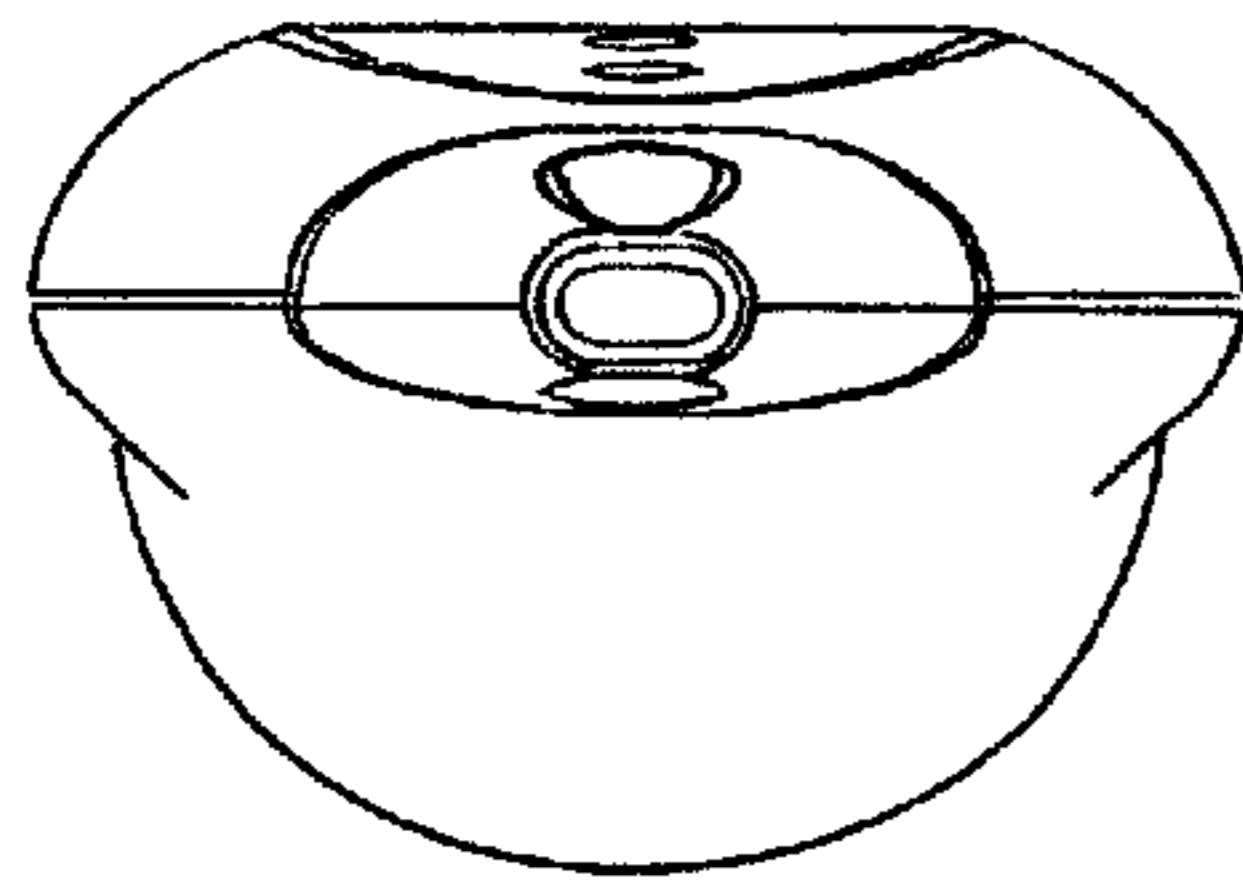


FIG 5

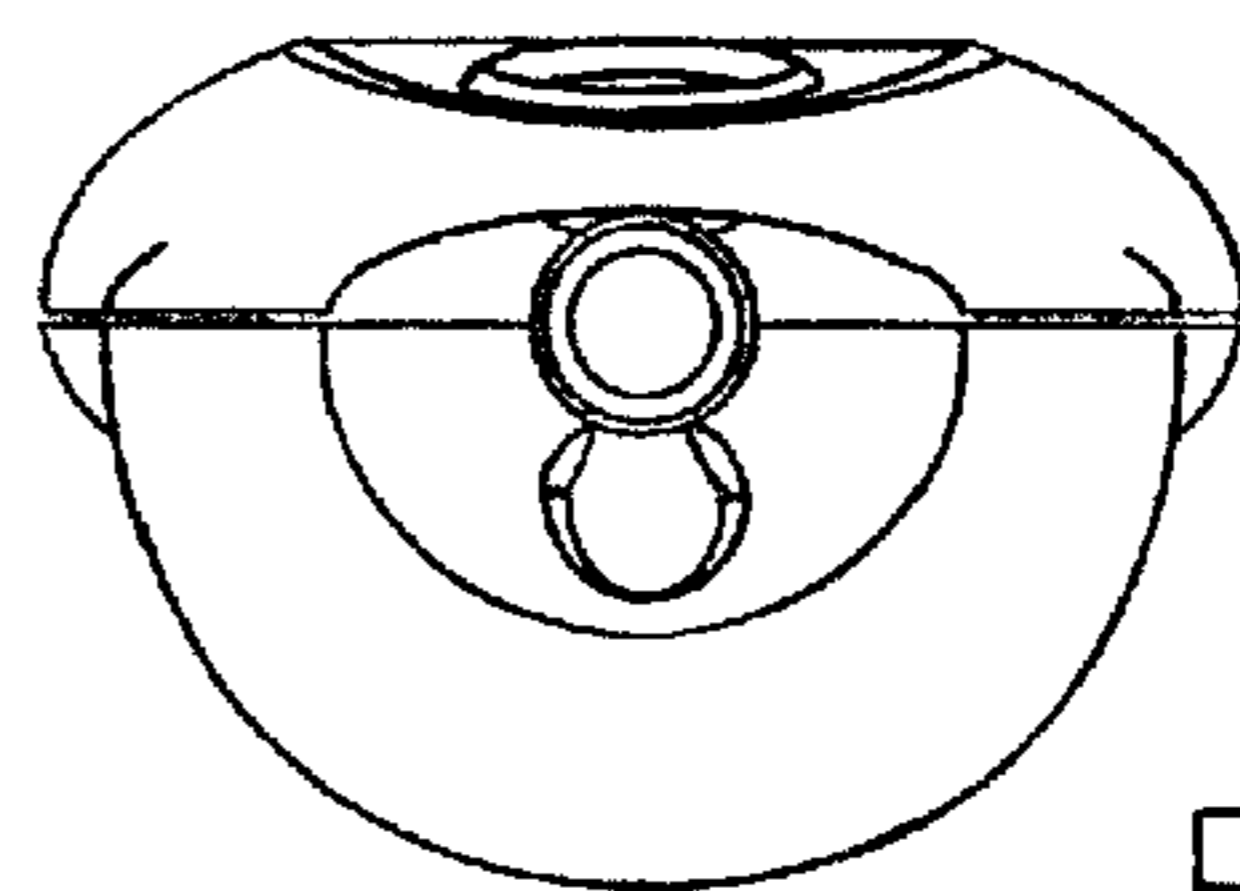


FIG 6

FIG 2

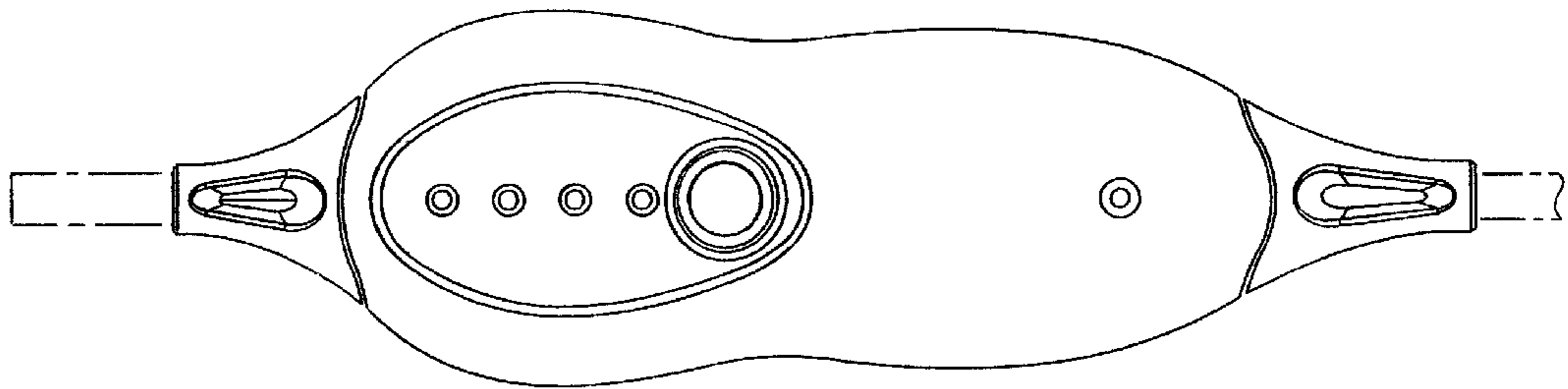


FIG 3

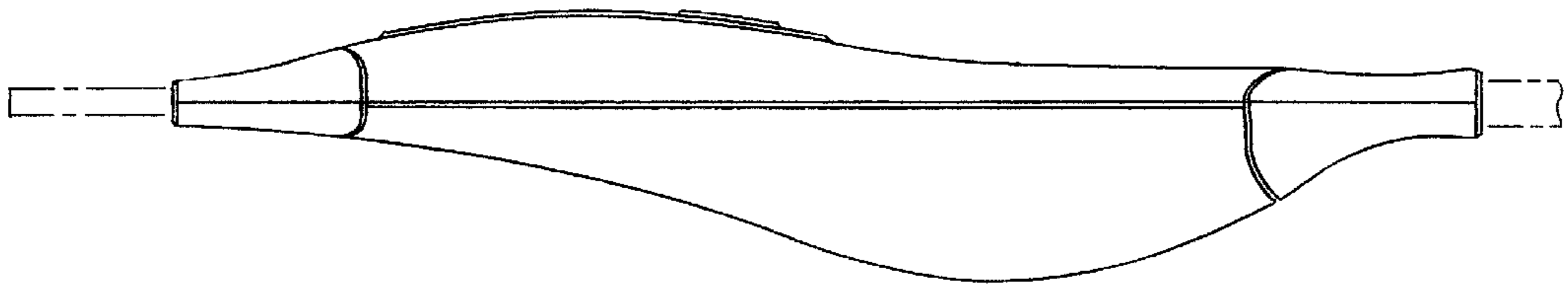


FIG 4

