



US00D481361S

(12) **United States Design Patent**
Barnes

(10) **Patent No.:** **US D481,361 S**

(45) **Date of Patent:** **** Oct. 28, 2003**

(54) **ELECTRICAL CORD CONNECTION PROTECTOR**

(76) **Inventor:** **Christopher A. Barnes**, 17601 Clagett Landing Rd., Upper Marlboro, MD (US) 20774

(**) **Term:** **14 Years**

(21) **Appl. No.:** **29/171,689**

(22) **Filed:** **Nov. 27, 2002**

(51) **LOC (7) Cl.** **13-03**

(52) **U.S. Cl.** **D13/156**

(58) **Field of Search** D13/154-156;
439/367, 369

(56) **References Cited**

U.S. PATENT DOCUMENTS

6,099,340	A	*	8/2000	Florentine	439/367
6,250,946	B1	*	6/2001	Tardy	439/367
D460,421	S	*	7/2002	Marozsan, Jr.	D13/156

* cited by examiner

Primary Examiner—Jennifer Rivard

(57) **CLAIM**

The ornamental design for an electrical cord connection protector, as shown and described.

DESCRIPTION

FIG. 1 is a front elevated view of an electrical cord connection protector showing my new design.

FIG. 2 is a back elevated view of the electrical cord connection protector.

FIG. 3 is a side elevated of the electrical cord connection protector.

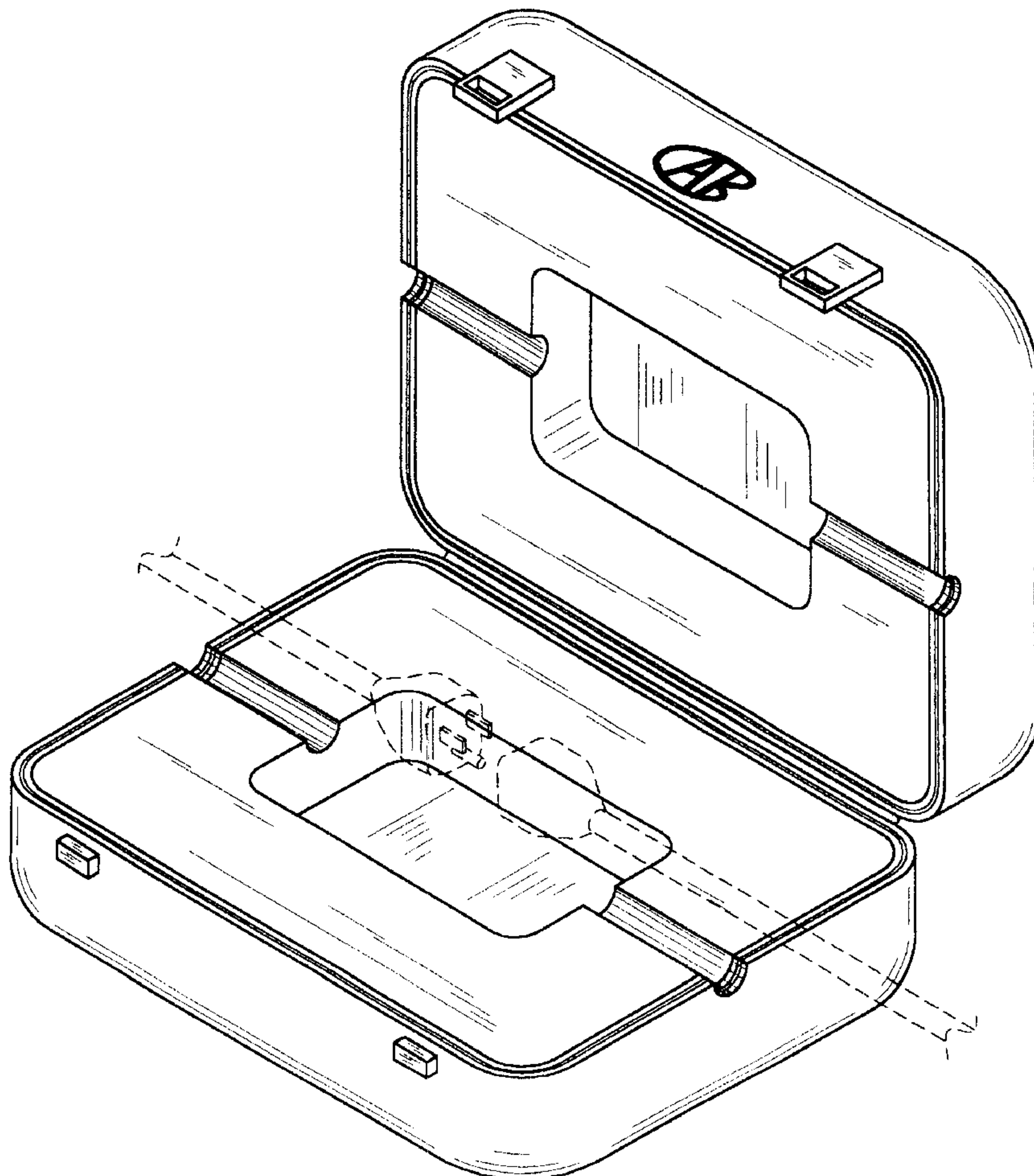
FIG. 4 is a top view of the electrical cord connection protector.

FIG. 5 is a bottom view of the electrical cord connection protector; and,

FIG. 6 is a perspective view of the electrical cord connection protector.

The broken line environmental showing is for illustrative purposes only and forms no part of the claimed design.

1 Claim, 4 Drawing Sheets



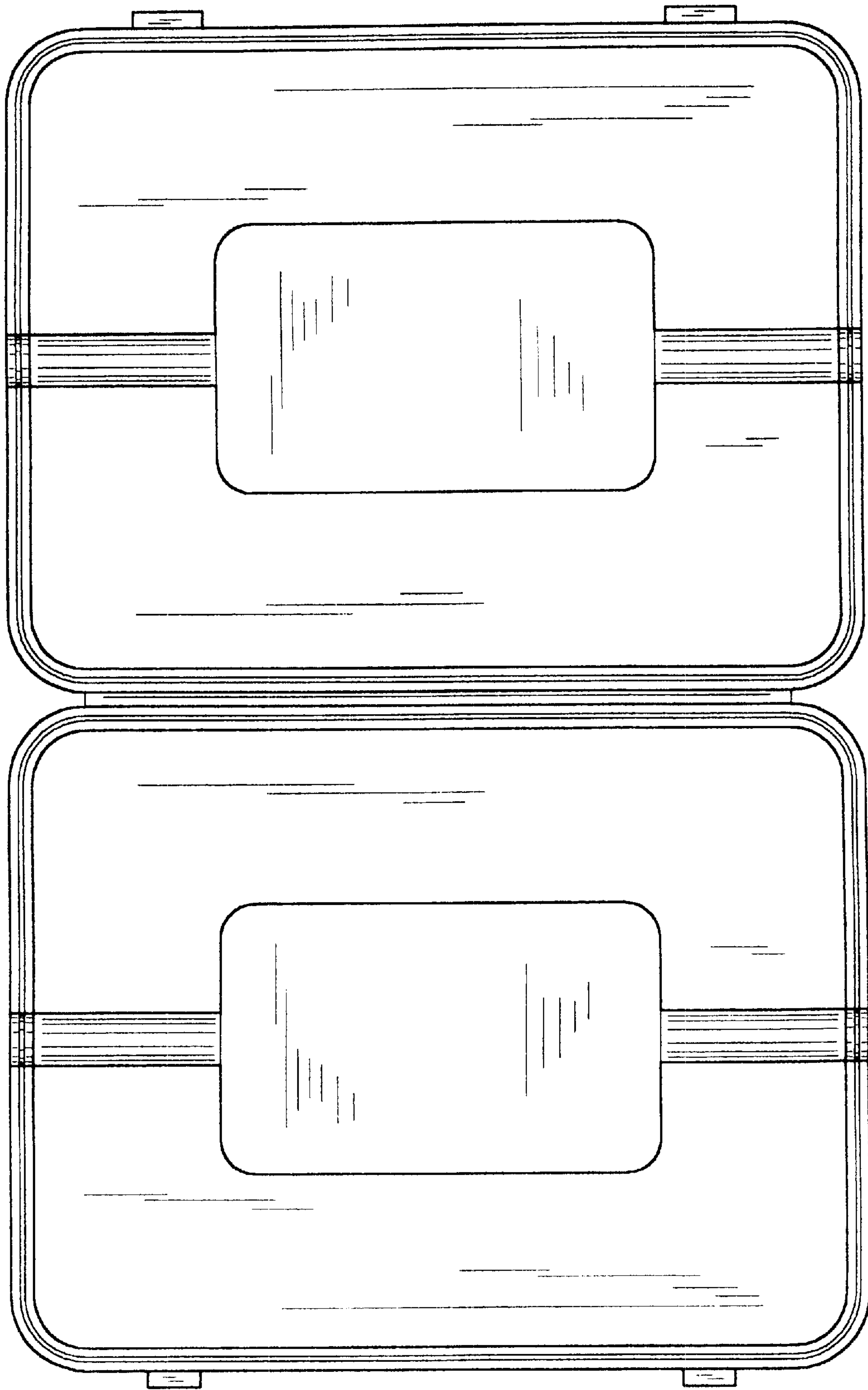


FIG. 1

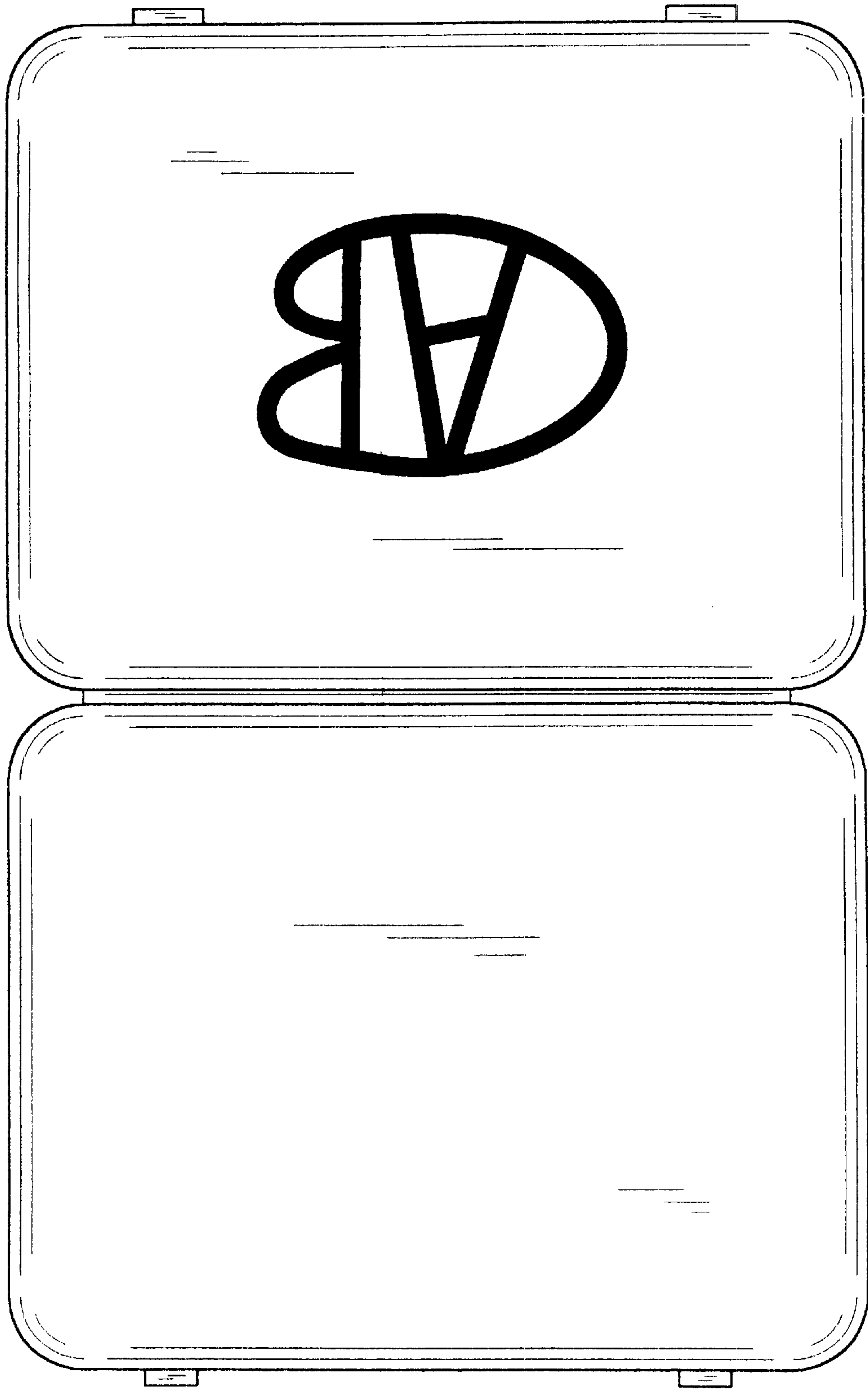


FIG. 2

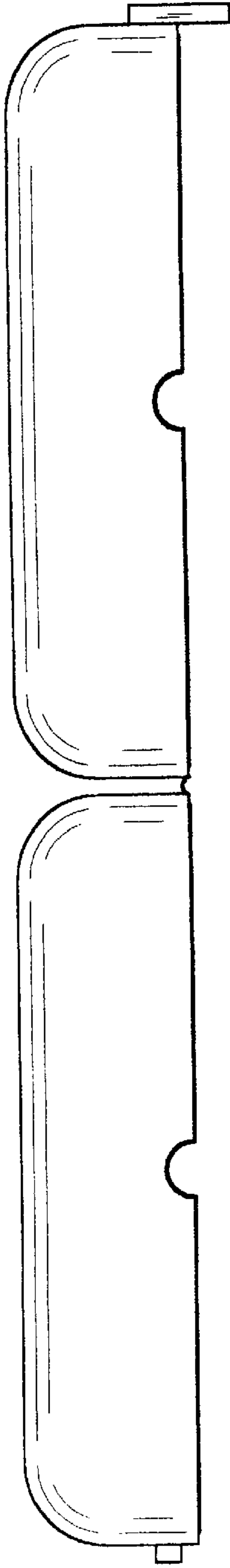


FIG. 3

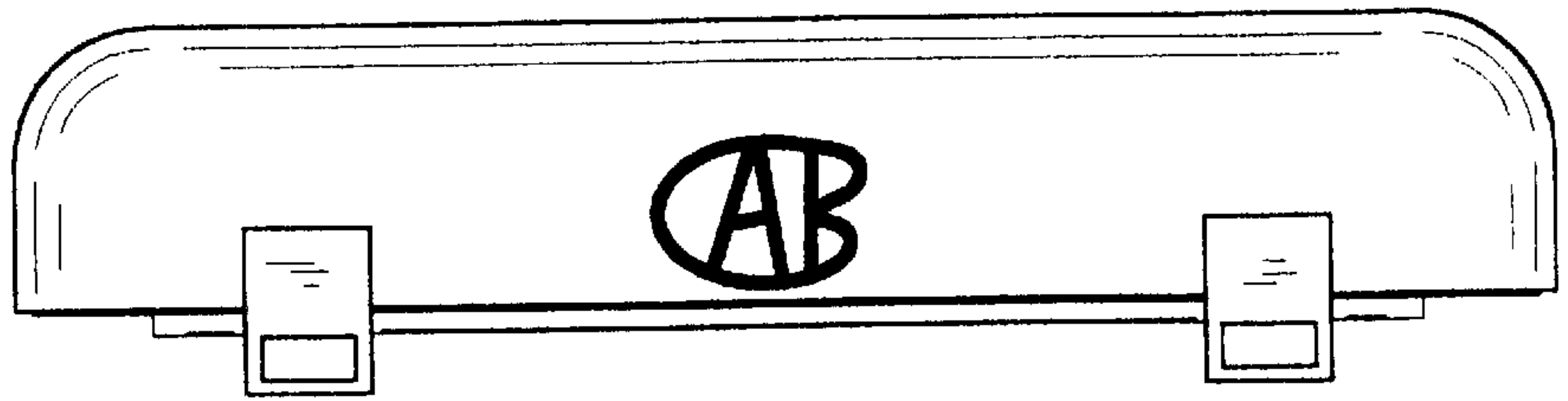


FIG. 4

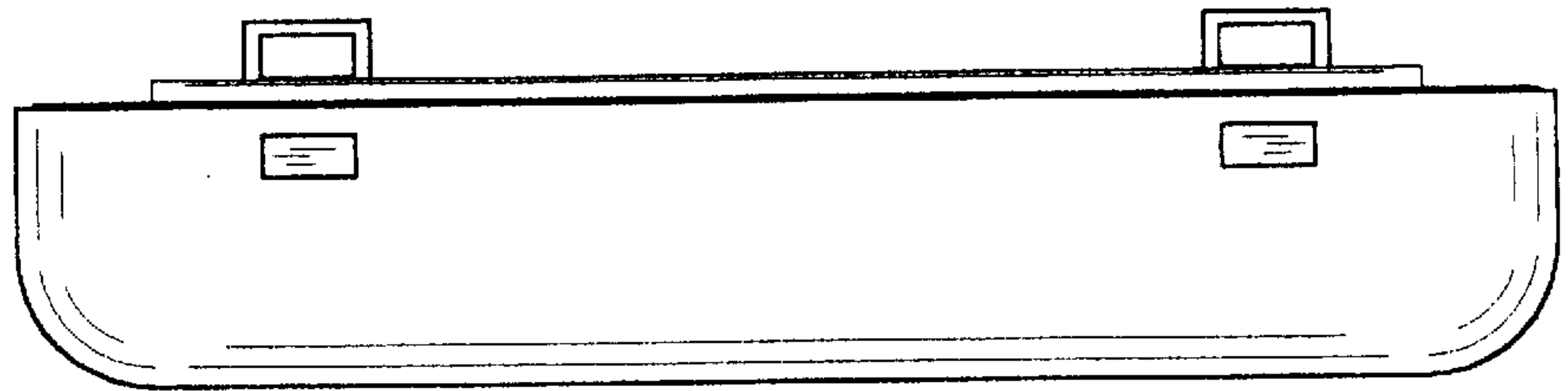


FIG. 5

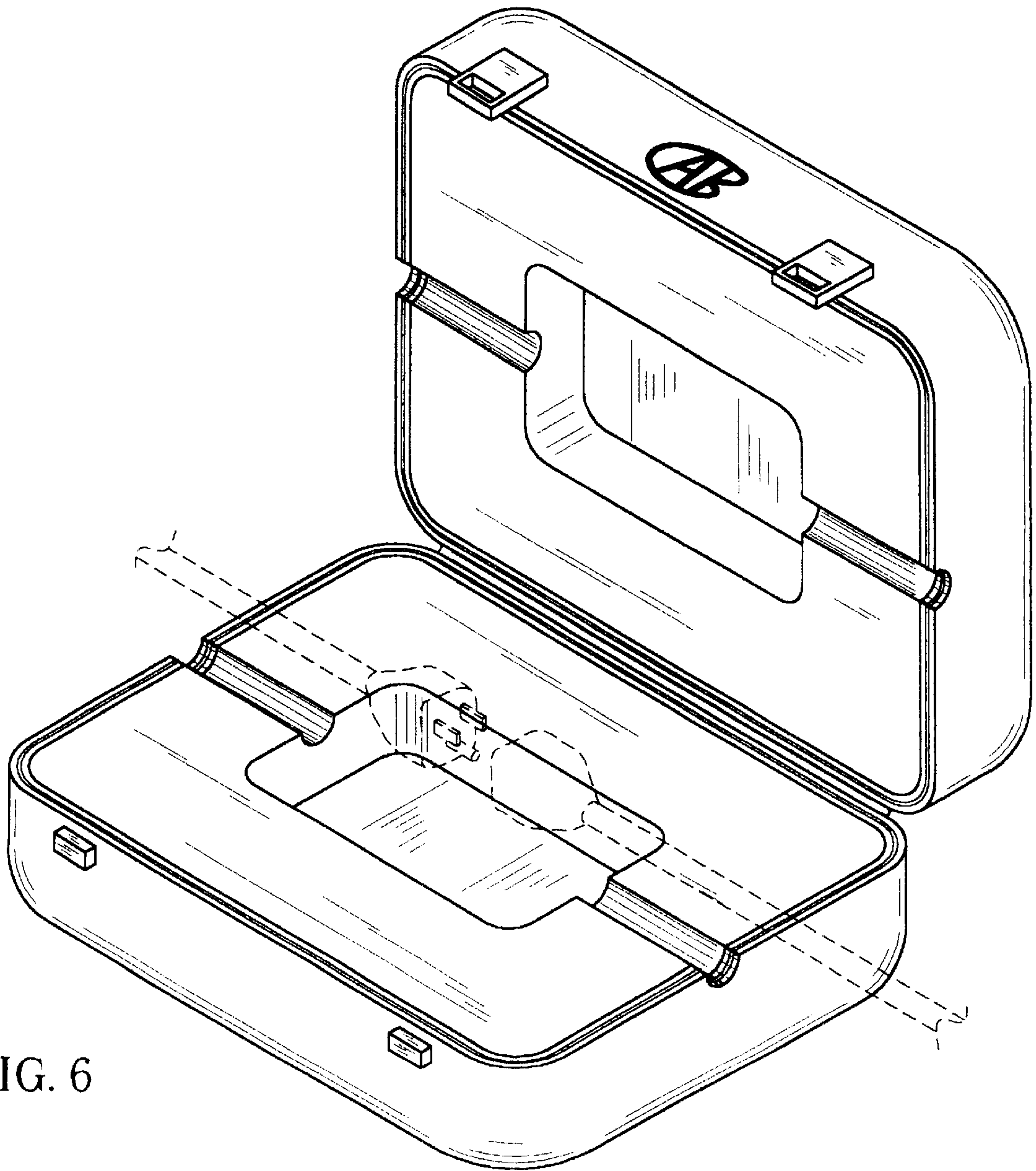


FIG. 6