



US00D481360S

(12) **United States Design Patent**
Kuroki et al.

(10) **Patent No.:** **US D481,360 S**

(45) **Date of Patent:** **** Oct. 28, 2003**

(54) **ELECTRICAL CONNECTOR**

(75) Inventors: **Yoshihide Kuroki**, Tachikawa (JP);
Yukiko Sato, Akishima (JP)

(73) Assignee: **Japan Aviation Electronics Industry, Limited**, Tokyo (JP)

(**) Term: **14 Years**

(21) Appl. No.: **29/175,551**

(22) Filed: **Feb. 6, 2003**

(30) **Foreign Application Priority Data**

Aug. 9, 2002 (JP) 2002-024909

(51) **LOC (7) Cl.** **13-03**

(52) **U.S. Cl.** **D13/147**

(58) **Field of Search** D13/147; 439/108,
439/607, 609, 610

(56) **References Cited**

U.S. PATENT DOCUMENTS

D408,788 S * 4/1999 Homma D13/147
D434,383 S * 11/2000 Hu et al. D13/147
6,186,807 B1 * 2/2001 Simmel 439/607 X

6,210,228 B1 * 4/2001 Simmel et al. 439/609

D453,499 S * 2/2002 Hisada et al. D13/147

D463,374 S * 9/2002 Homma et al. D13/147

D465,202 S * 11/2002 Kubota D13/147

D465,457 S * 11/2002 Hu et al. D13/147

* cited by examiner

Primary Examiner—Joel Sincavage

(74) *Attorney, Agent, or Firm*—Collard & Roe, P.C.

(57) **CLAIM**

The ornamental design for an electrical connector, as shown and described.

DESCRIPTION

FIG. 1 is a front, top, and right side perspective view of an electrical connector;

FIG. 2 is a front elevational view thereof;

FIG. 3 is a top plan view thereof;

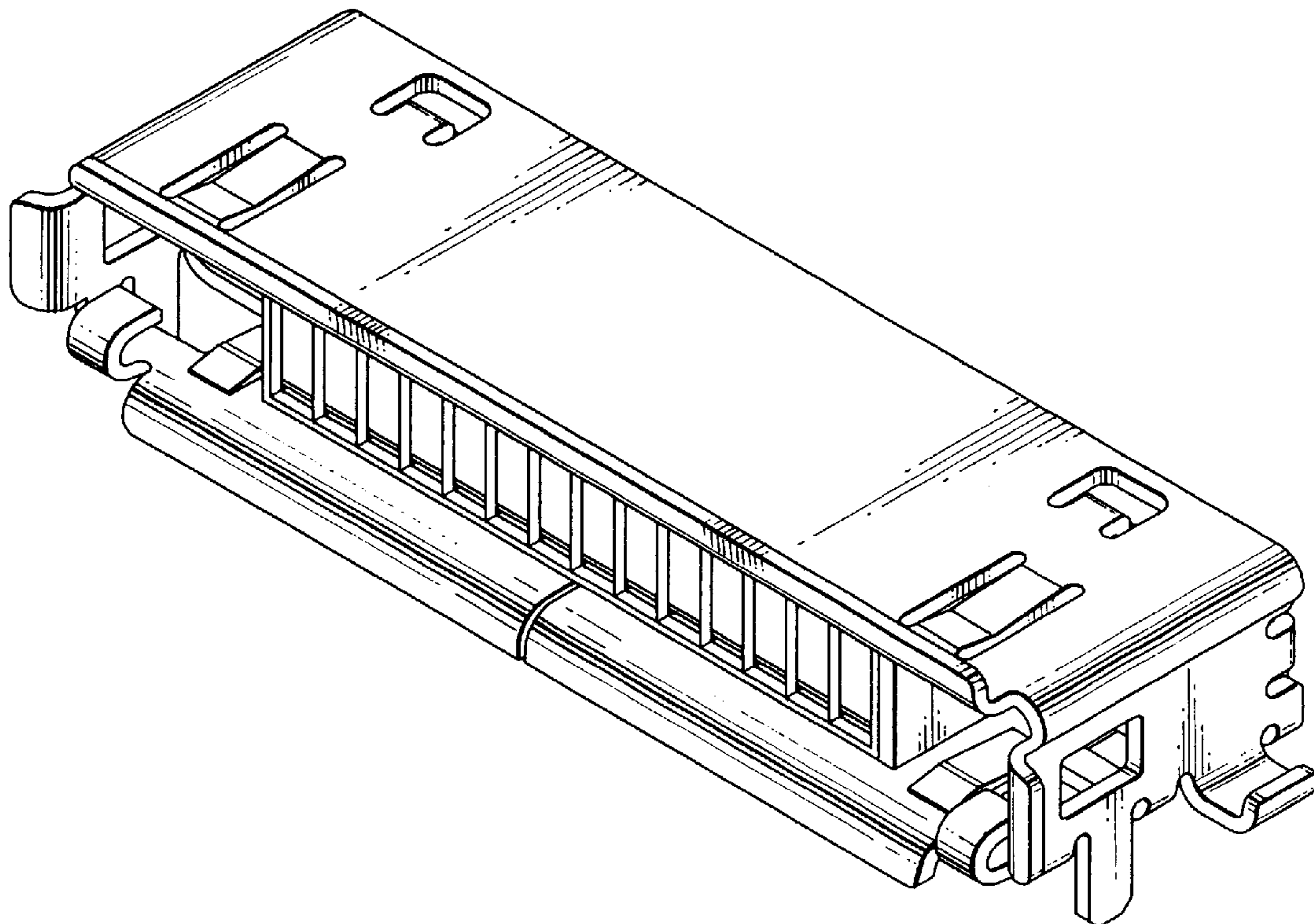
FIG. 4 is a rear elevational view thereof;

FIG. 5 is a bottom plan view thereof; and,

FIG. 6 is a right side elevational view thereof.

A left side elevational view of the electrical connector is omitted because it is presented symmetrical to the right side view of FIG. 6.

1 Claim, 3 Drawing Sheets



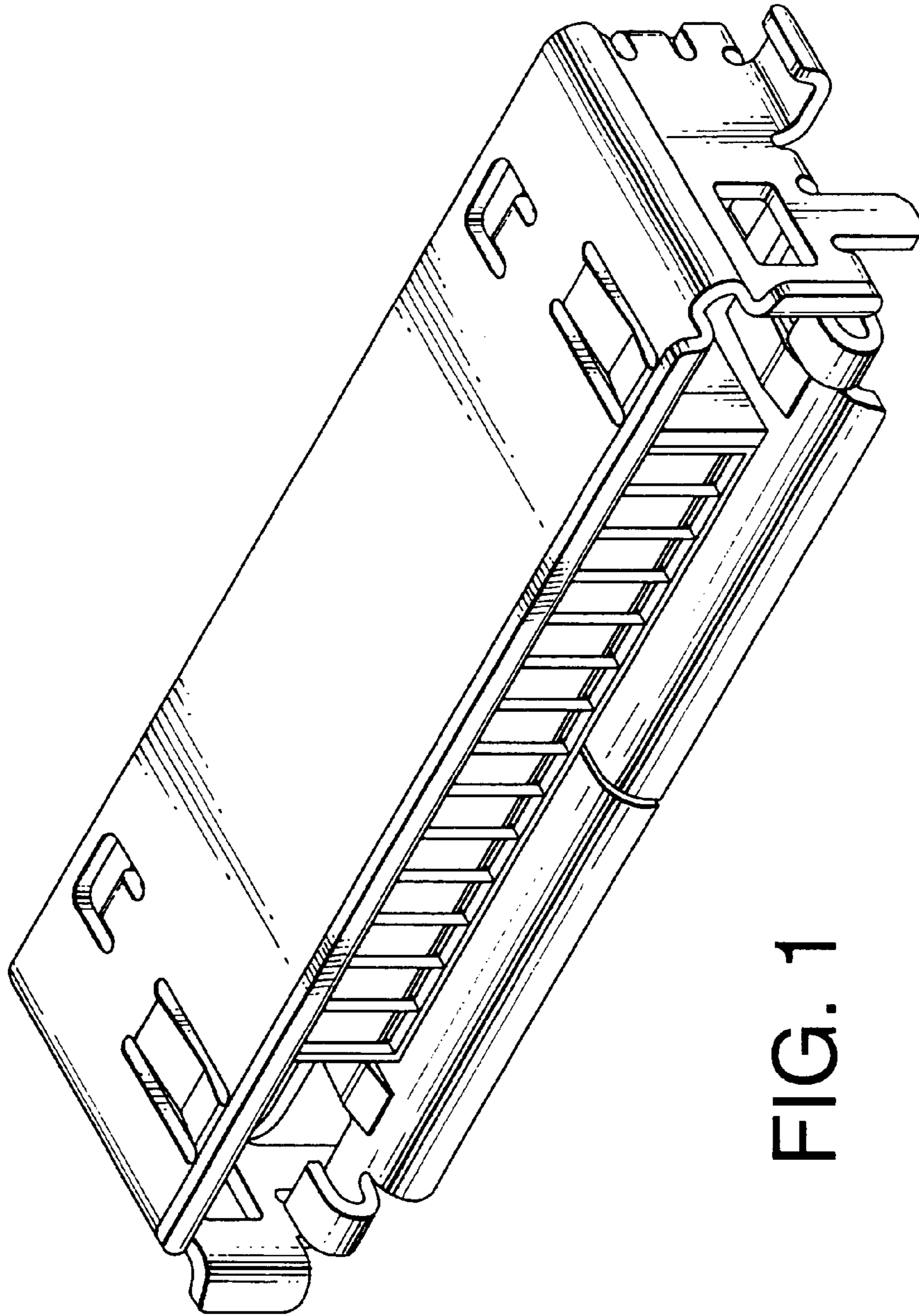


FIG. 1

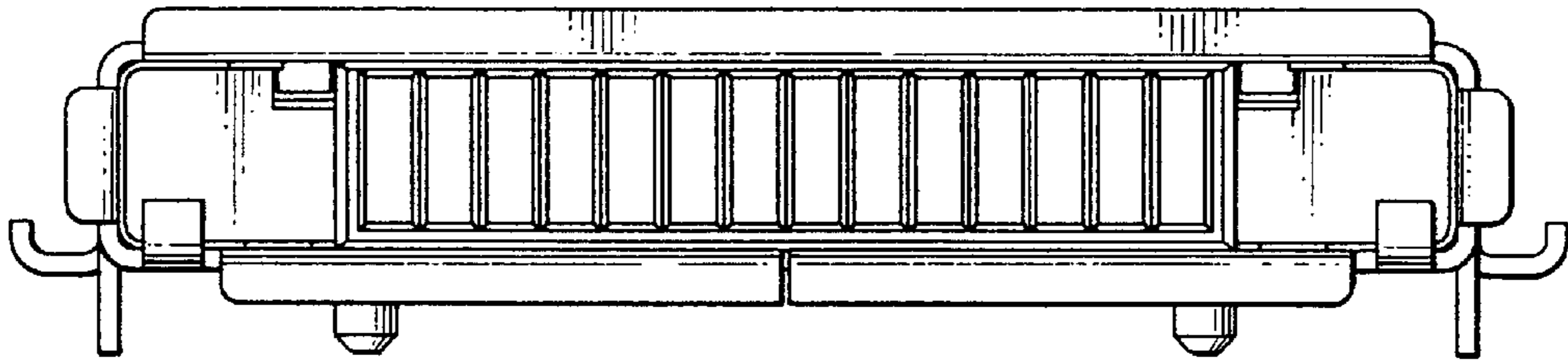


FIG. 2

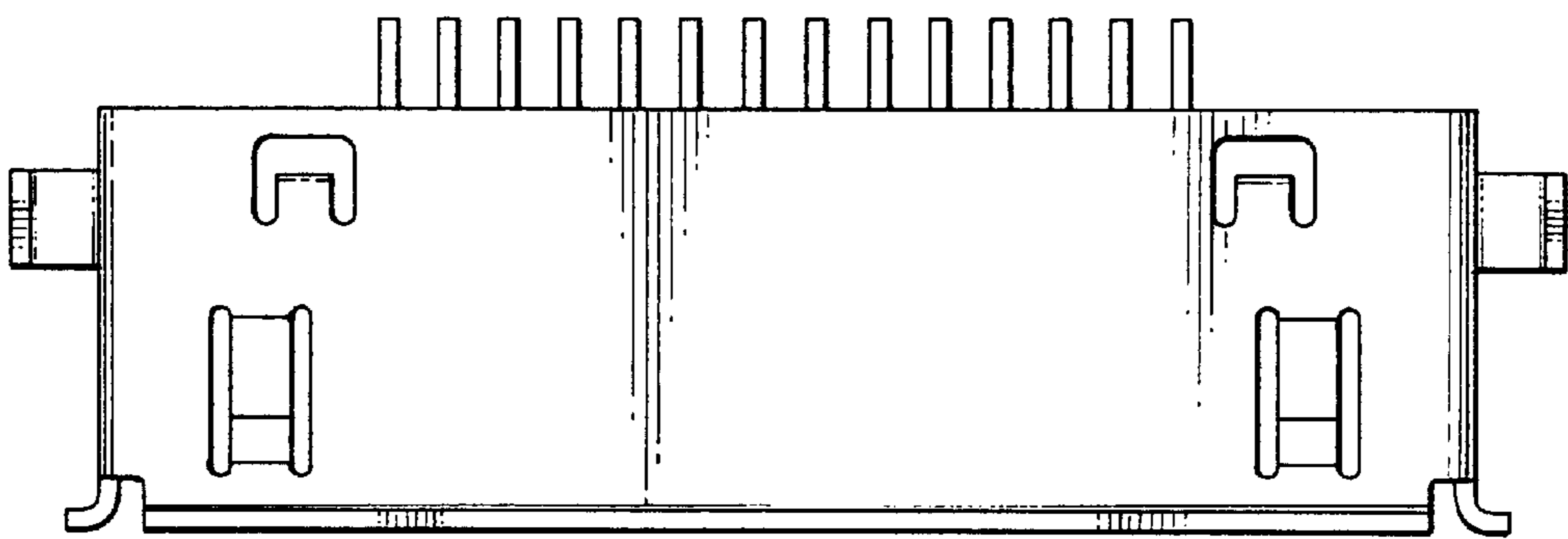


FIG. 3

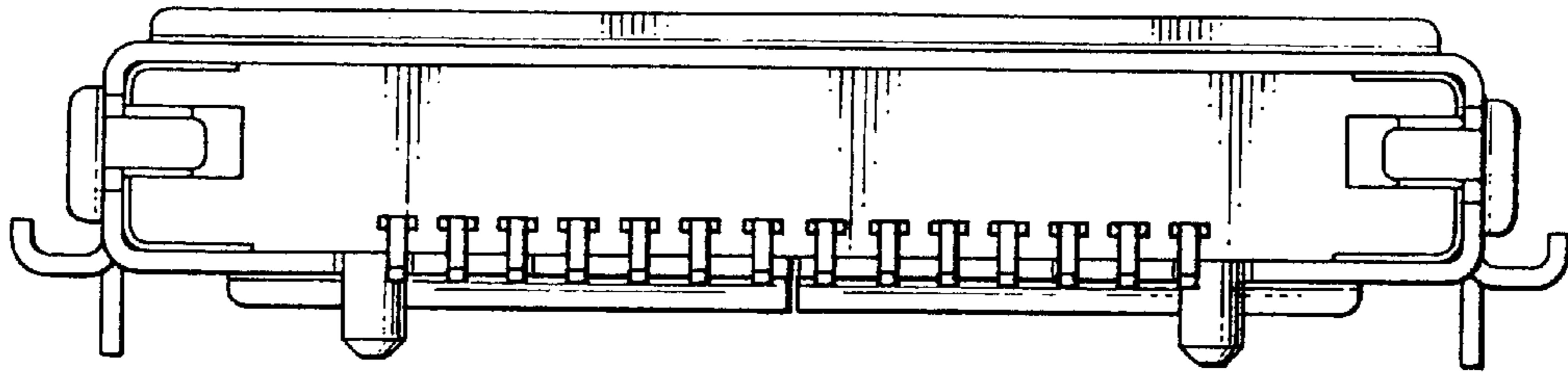


FIG. 4

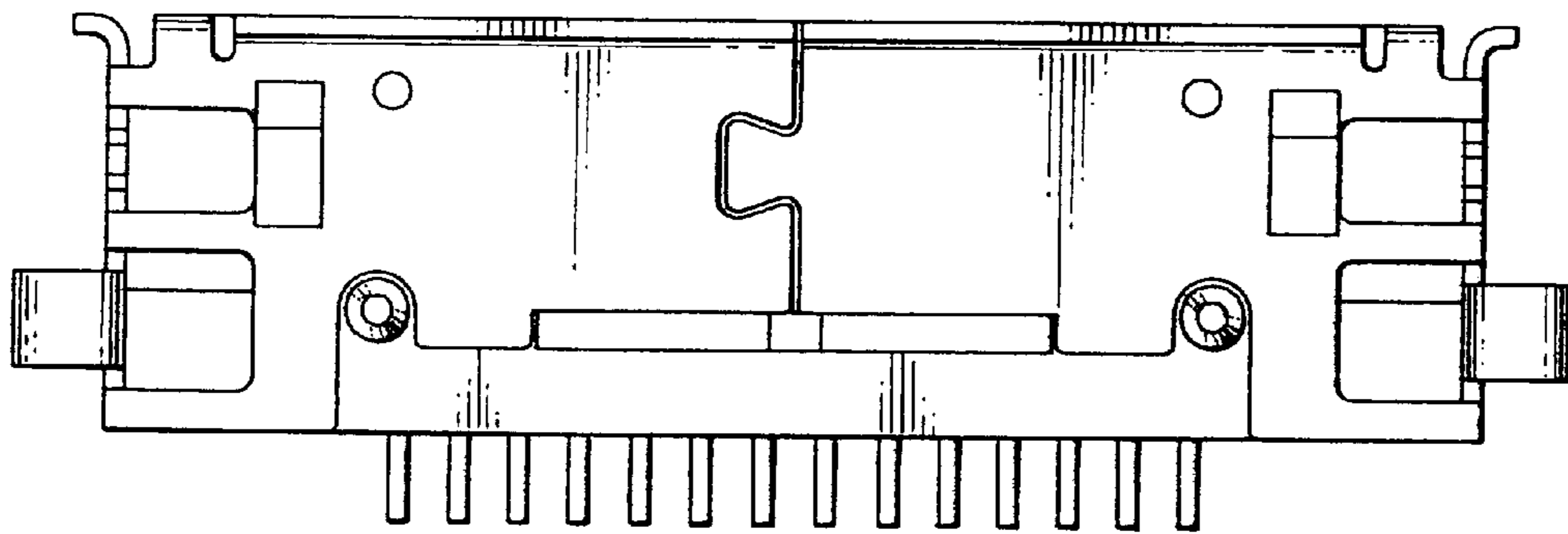


FIG. 5

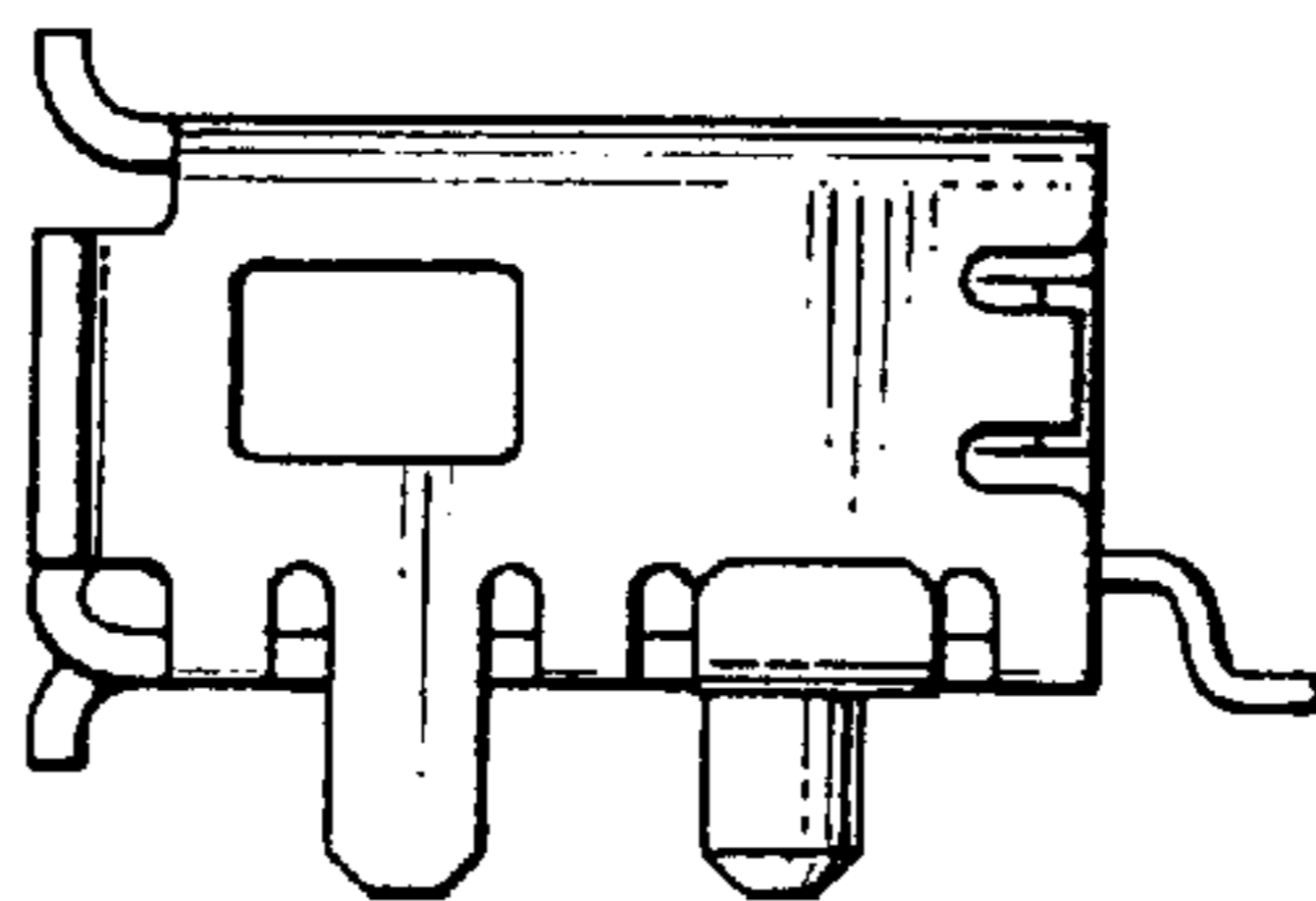


FIG. 6