



US00D481359S

(12) **United States Design Patent**
Kuroki et al.

(10) **Patent No.:** **US D481,359 S**

(45) **Date of Patent:** **** Oct. 28, 2003**

(54) **ELECTRICAL CONNECTOR**

6,544,071 B1 * 4/2003 Wu 439/607

(75) Inventors: **Yoshihide Kuroki**, Tachikawa (JP);
Yukiko Sato, Akishima (JP)

* cited by examiner

(73) Assignee: **Japan Aviation Electronics Industry, Limited**, Tokyo (JP)

Primary Examiner—Joel Sincavage

(74) *Attorney, Agent, or Firm*—Collard & Roe, P.C.

(**) Term: **14 Years**

(57) **CLAIM**

The ornamental design for an electrical connector, as shown and described.

(21) Appl. No.: **29/175,537**

DESCRIPTION

(22) Filed: **Feb. 6, 2003**

(30) **Foreign Application Priority Data**

Aug. 9, 2002 (JP) 2002-024910

FIG. 1 is a front, top, and right side perspective view of an electrical connector;

(51) **LOC (7) Cl.** **13-03**

FIG. 2 is a rear, bottom, and left side perspective view thereof;

(52) **U.S. Cl.** **D13/147**

FIG. 3 is a front elevational view thereof;

(58) **Field of Search** D13/147; 439/378, 439/607, 609, 680

FIG. 4 is a top plan view thereof;

FIG. 5 is a rear elevational view thereof;

FIG. 6 is a bottom plan view thereof;

FIG. 7 is a right side elevational view thereof; and,

FIG. 8 is a perspective view illustrating the electric connector together with a counterpart connector.

(56) **References Cited**

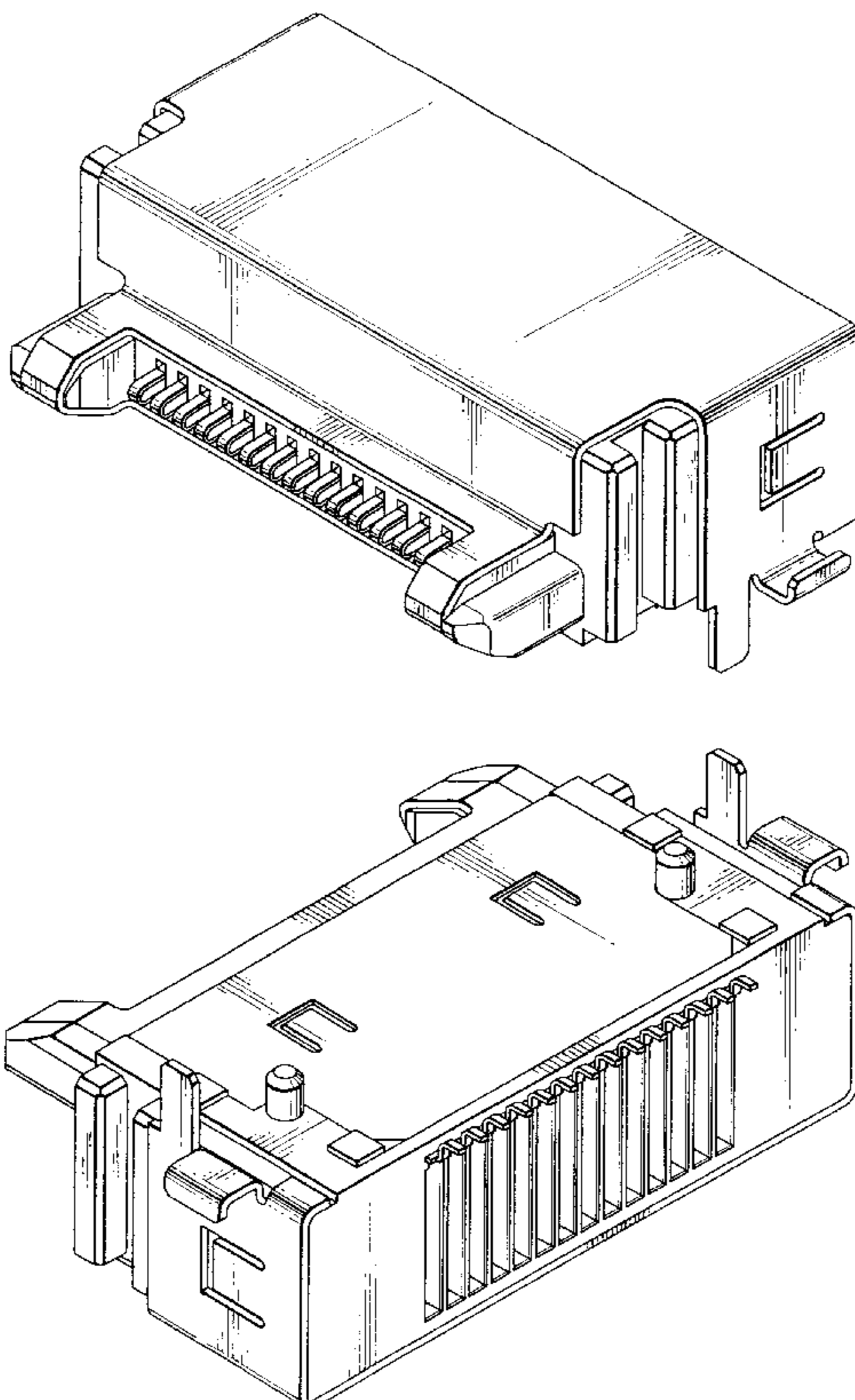
U.S. PATENT DOCUMENTS

3,731,259	A	*	5/1973	Occhipinti	439/378
D422,562	S	*	4/2000	Huang	D13/147
6,071,141	A	*	6/2000	Semmeling et al.	439/353
D434,007	S	*	11/2000	Feldt	D13/147
D435,831	S	*	1/2001	Ko	D13/147
6,257,914	B1	*	7/2001	Comerci et al.	439/607 X
D452,680	S	*	1/2002	Kubota	D13/147
D463,374	S	*	9/2002	Homma et al.	D13/147

A left side elevational view of the electric connector is omitted because it is presented symmetrical to the right side view of FIG. 7.

The broken lines showing the counterpart connector are included for the purpose of illustrating environmental structure only and form no part of the claimed design.

1 Claim, 4 Drawing Sheets



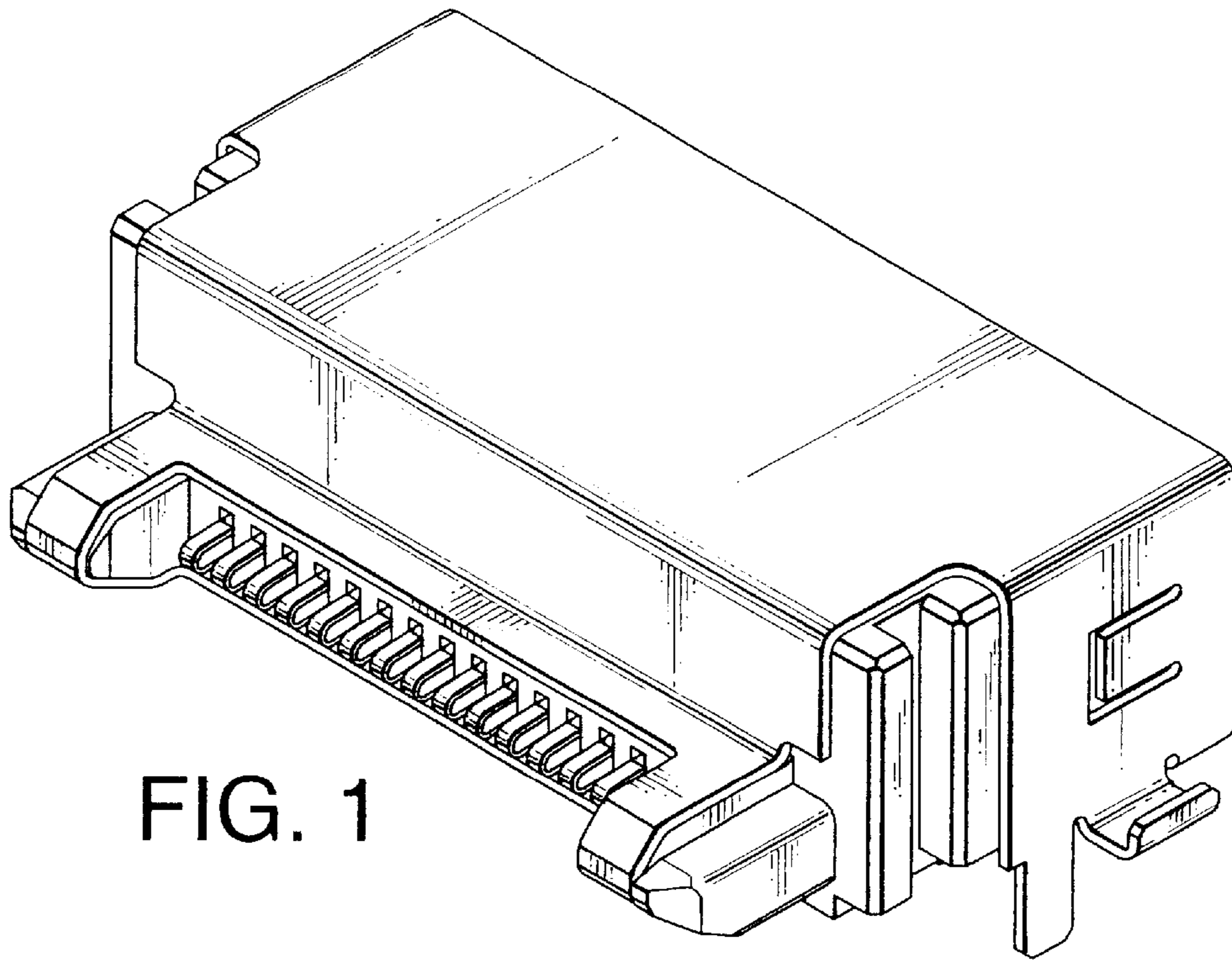


FIG. 1

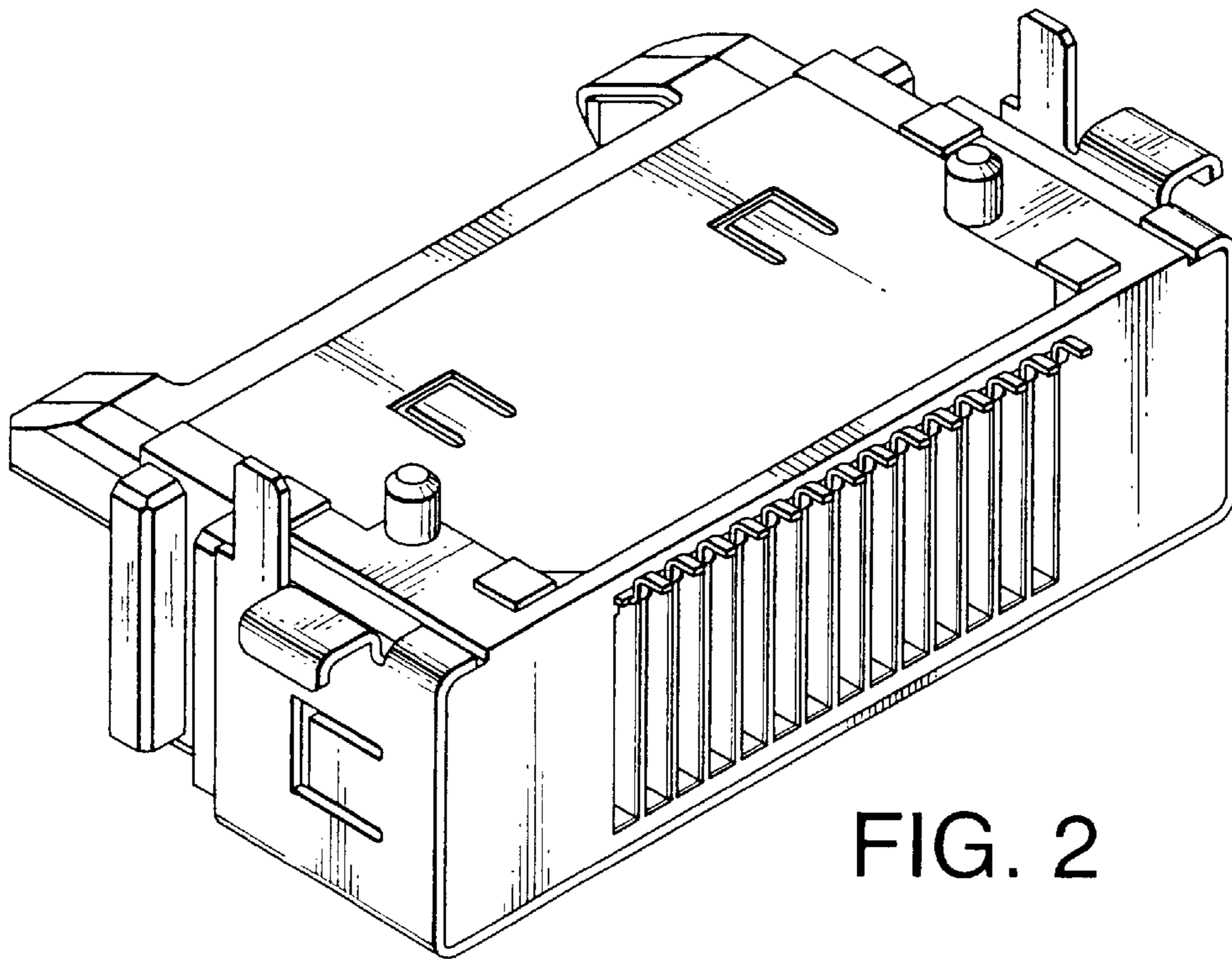


FIG. 2

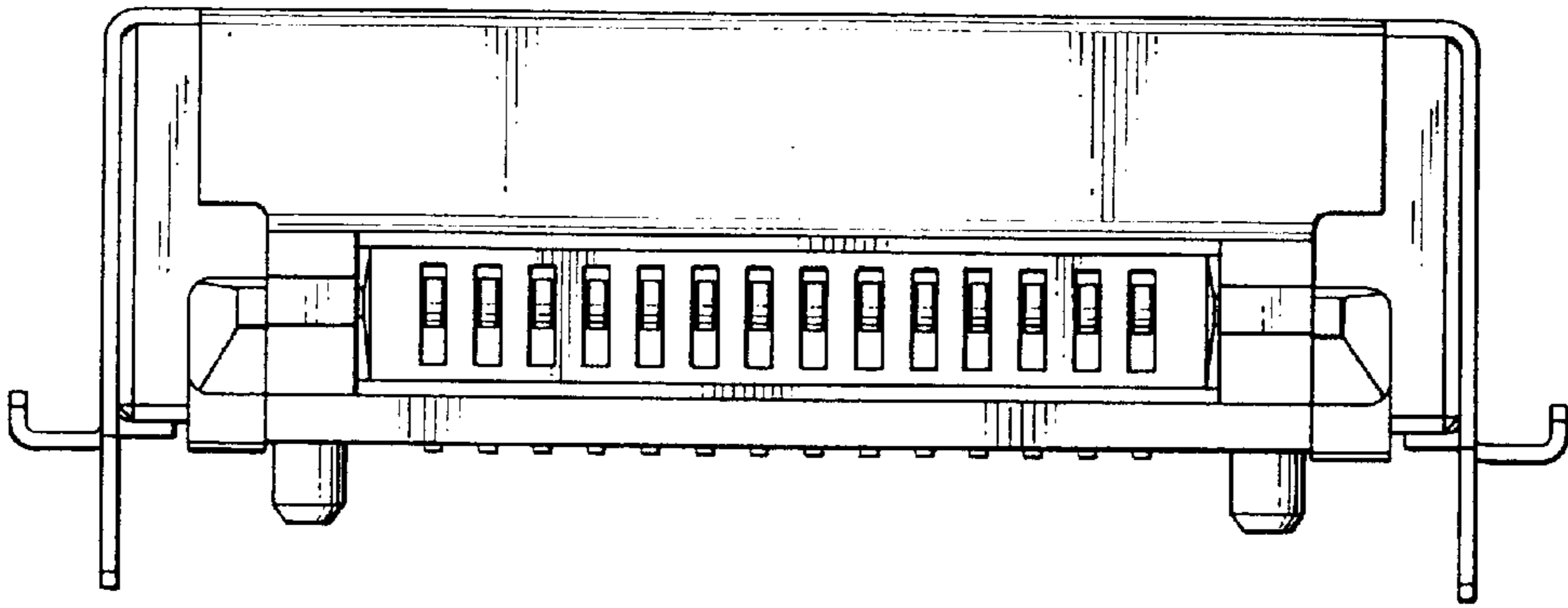


FIG. 3

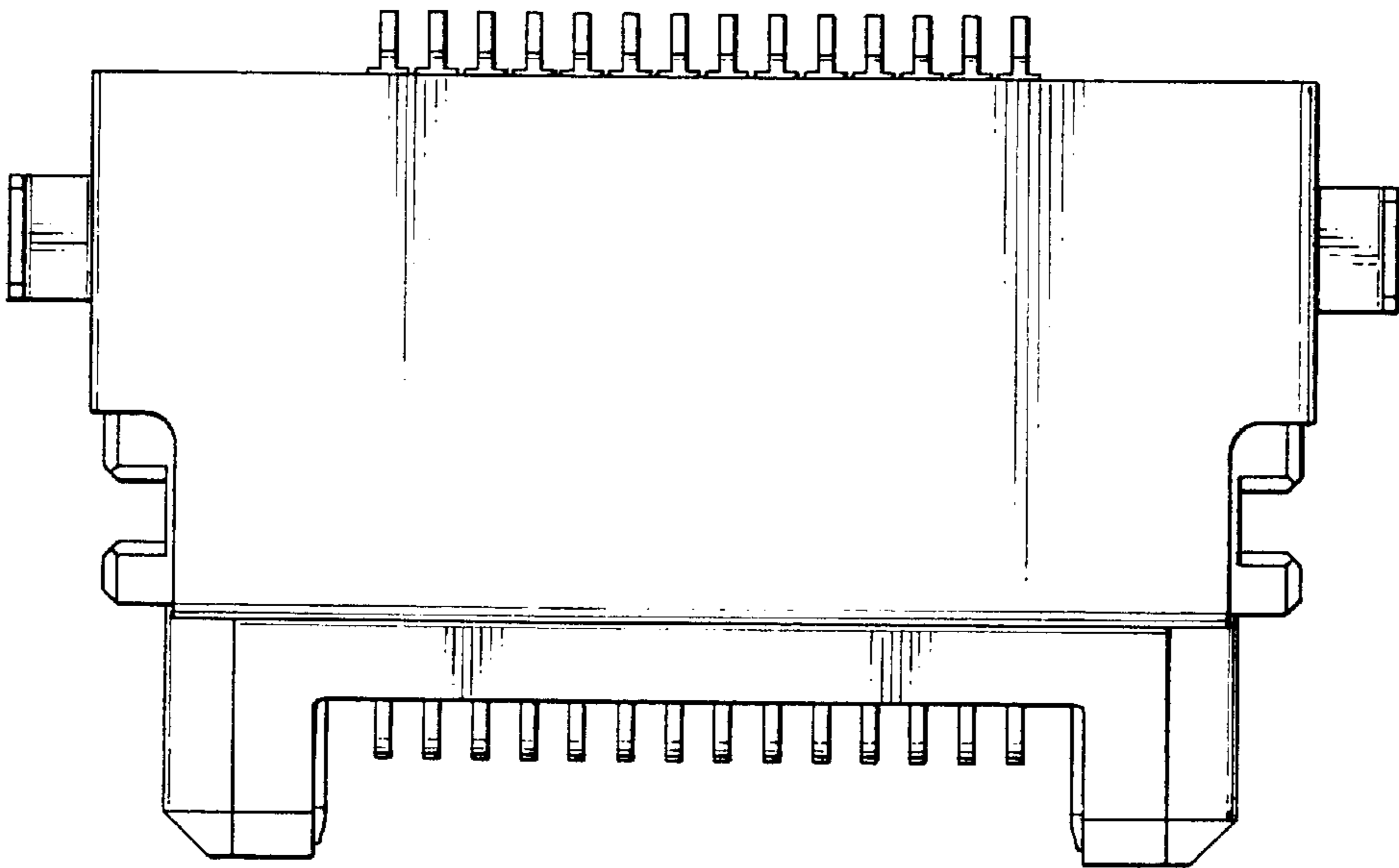


FIG. 4

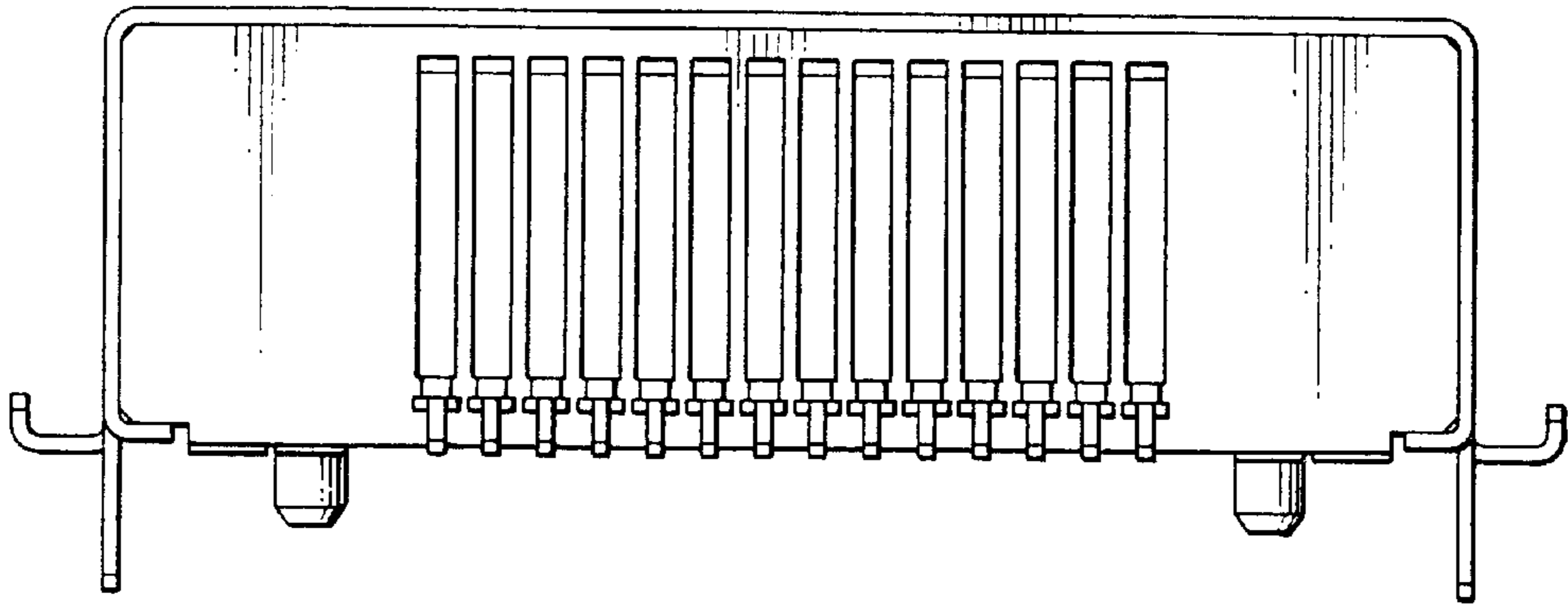


FIG. 5

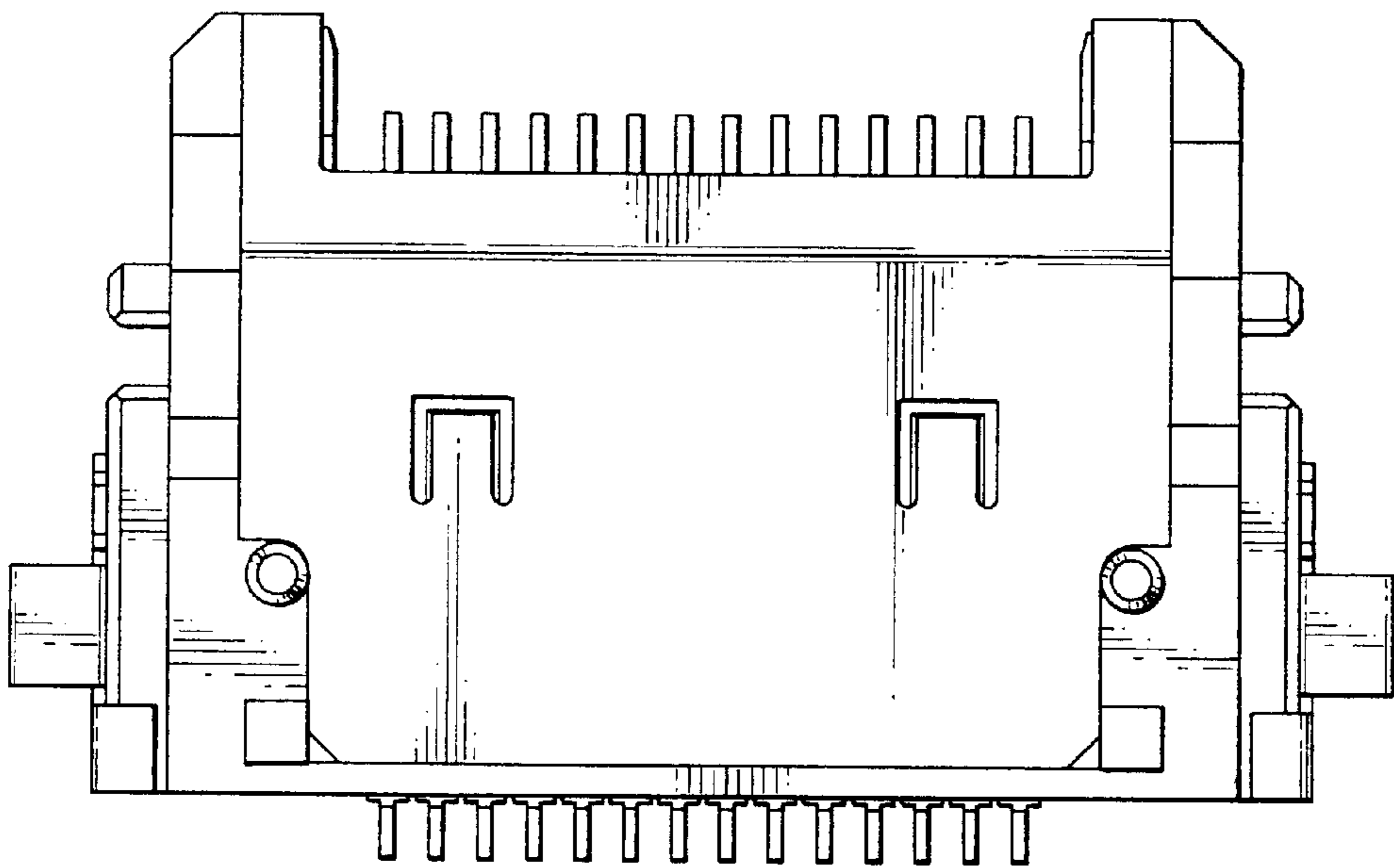


FIG. 6

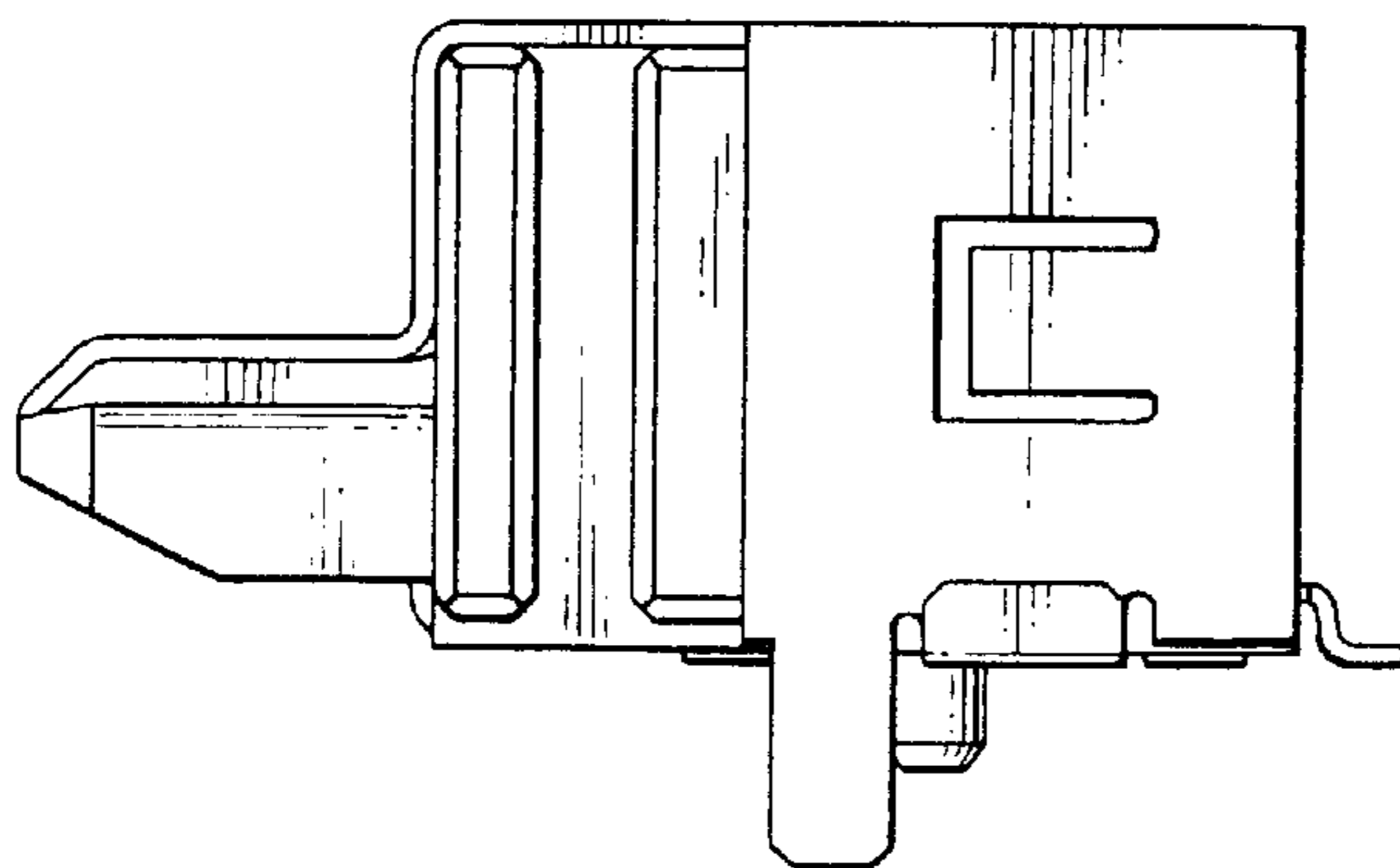


FIG. 7

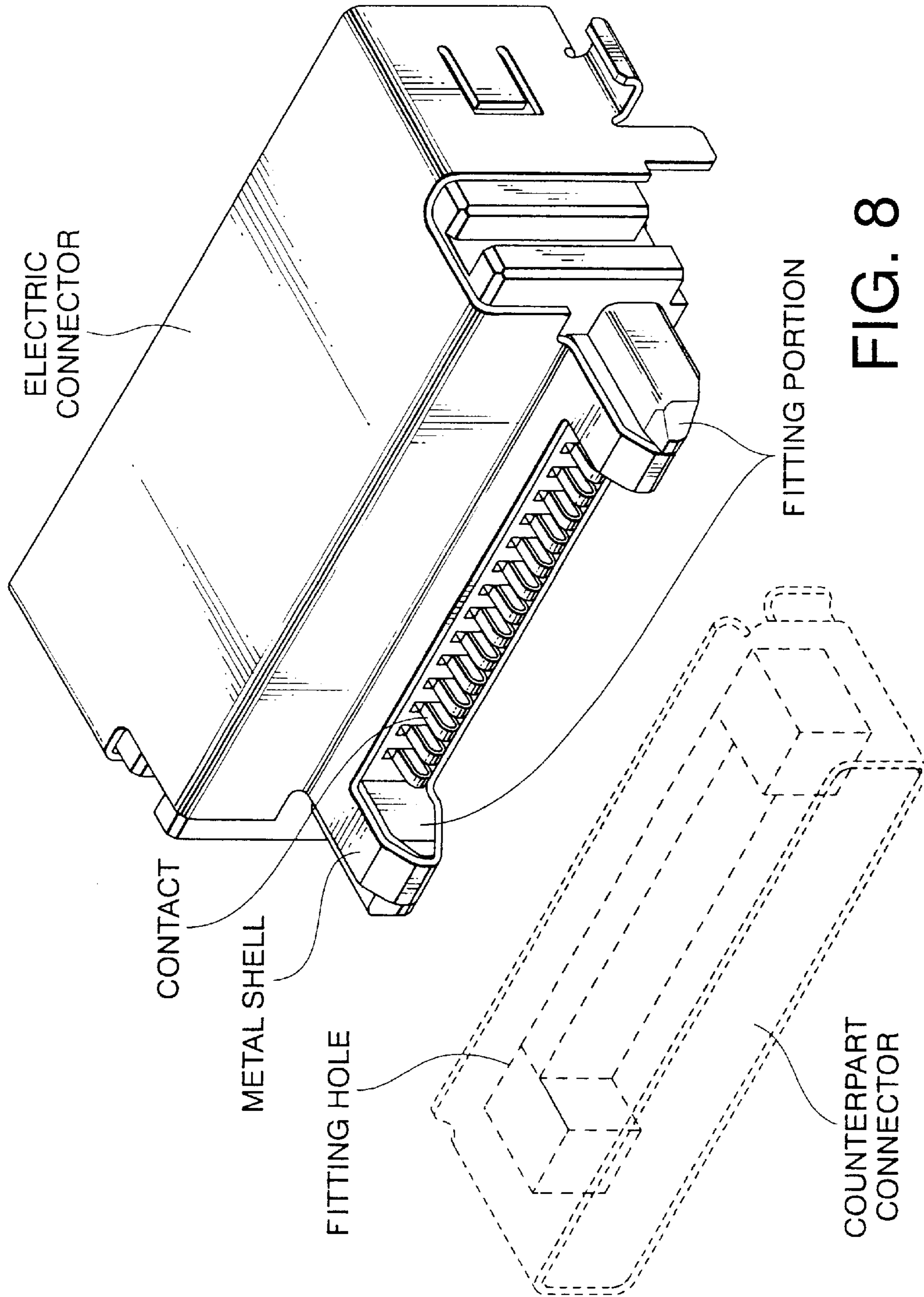


FIG. 8