



US00D481356S

(12) **United States Design Patent**
Hwang

(10) **Patent No.: US D481,356 S**

(45) **Date of Patent: ** Oct. 28, 2003**

(54) **MULTI-PORTS SMALL FORM-FACTOR
PLUGGABLE TRANSCEIVER CAGE**

(75) Inventor: **Jeng-Yih Hwang**, Irvine, CA (US)

(73) Assignee: **Hon Hai Precision Ind. Co., Ltd.**,
Taipei Hsien (TW)

(**) Term: **14 Years**

(21) Appl. No.: **29/169,351**

(22) Filed: **Oct. 17, 2002**

(51) **LOC (7) Cl. 13-03**

(52) **U.S. Cl. D13/123**

(58) **Field of Search D13/123, 133,
D13/152, 154; 439/76.1, 567, 607, 609**

(56) **References Cited**

U.S. PATENT DOCUMENTS

- 6,095,862 A * 8/2000 Doye et al. 439/607
- 6,111,760 A * 8/2000 Nixon 361/814
- 6,206,730 B1 * 3/2001 Avery et al. 439/609

- 6,305,955 B1 * 10/2001 Billman 439/138
- 6,351,394 B1 * 2/2002 Cunningham 361/818
- 6,364,709 B1 * 4/2002 Jones 439/607
- 6,419,523 B1 * 7/2002 Jones et al. 439/607

* cited by examiner

Primary Examiner—Holly Baynham

(74) *Attorney, Agent, or Firm*—Wei Te Chung

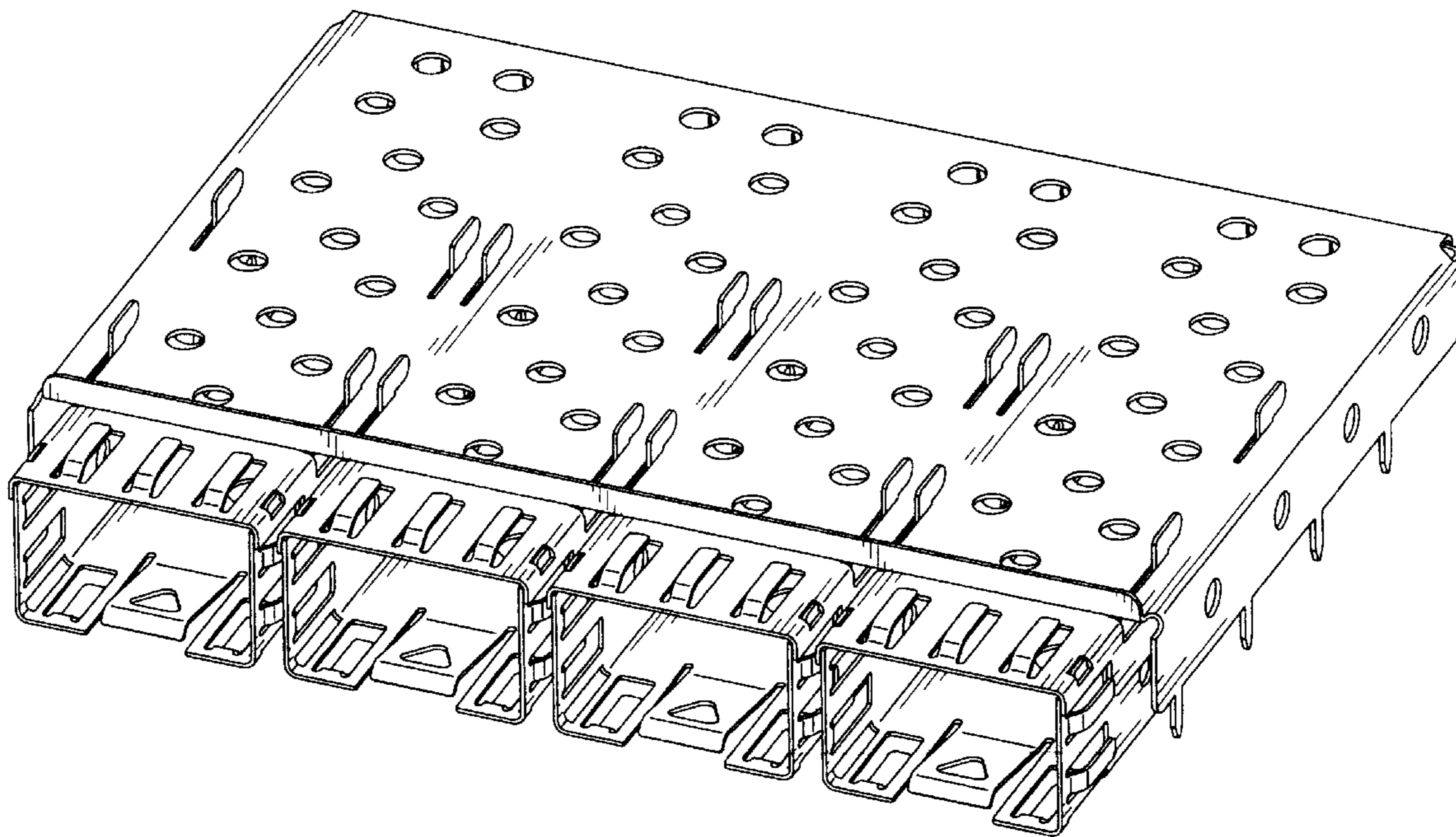
(57) **CLAIM**

The ornamental design for a multi-ports small form-factor pluggable transceiver cage, as shown and described.

DESCRIPTION

FIG. 1 is a perspective view of a multi-ports small form-factor pluggable transceiver cage showing my new design; FIG. 2 is a front view thereof; FIG. 3 is a rear view thereof; FIG. 4 is a left side elevational view thereof; FIG. 5 is a right side elevational view thereof; FIG. 6 is a top plan view thereof; and, FIG. 7 is a bottom plan view thereof.

1 Claim, 5 Drawing Sheets



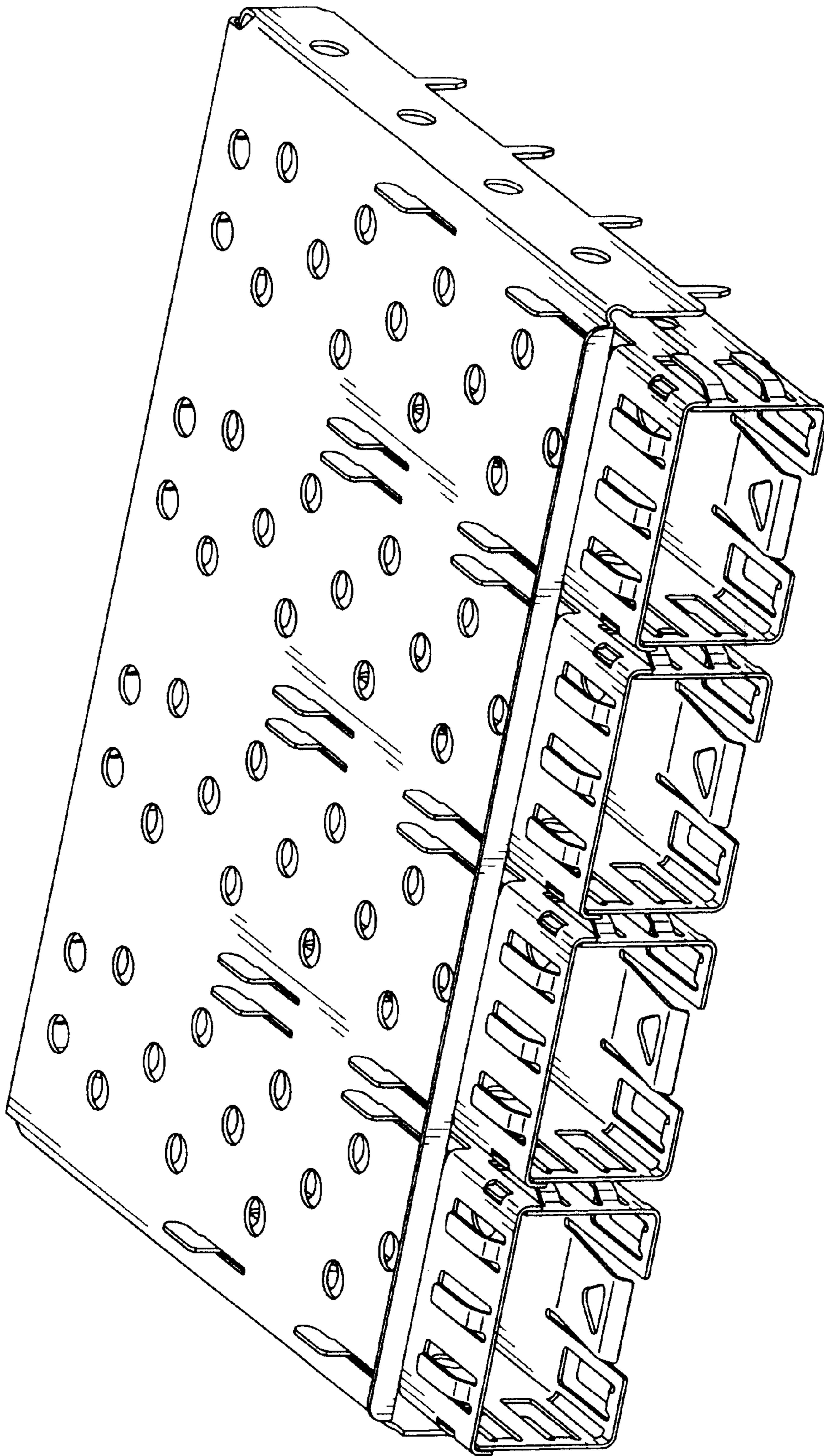


FIG. 1

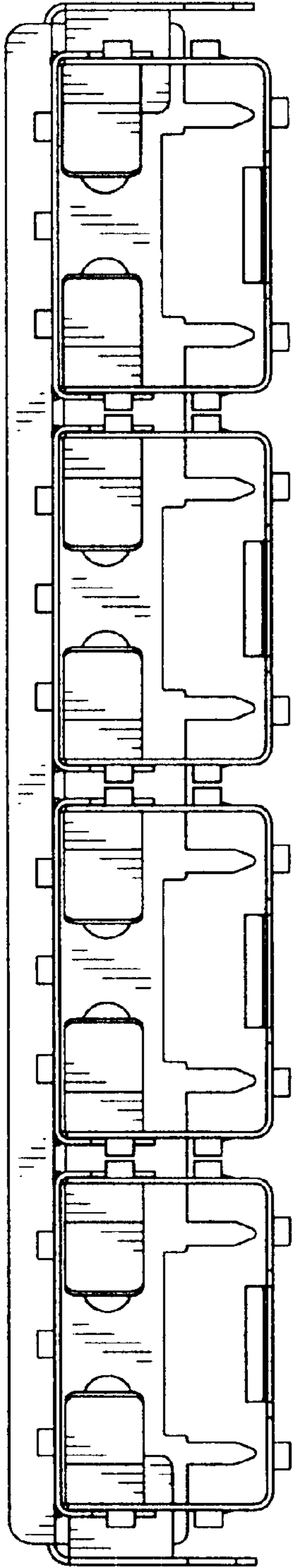


FIG. 2

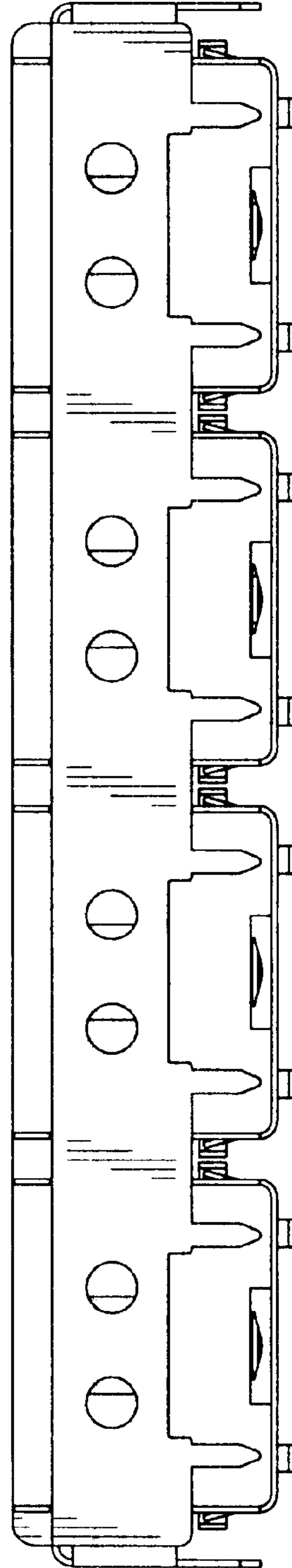


FIG. 3

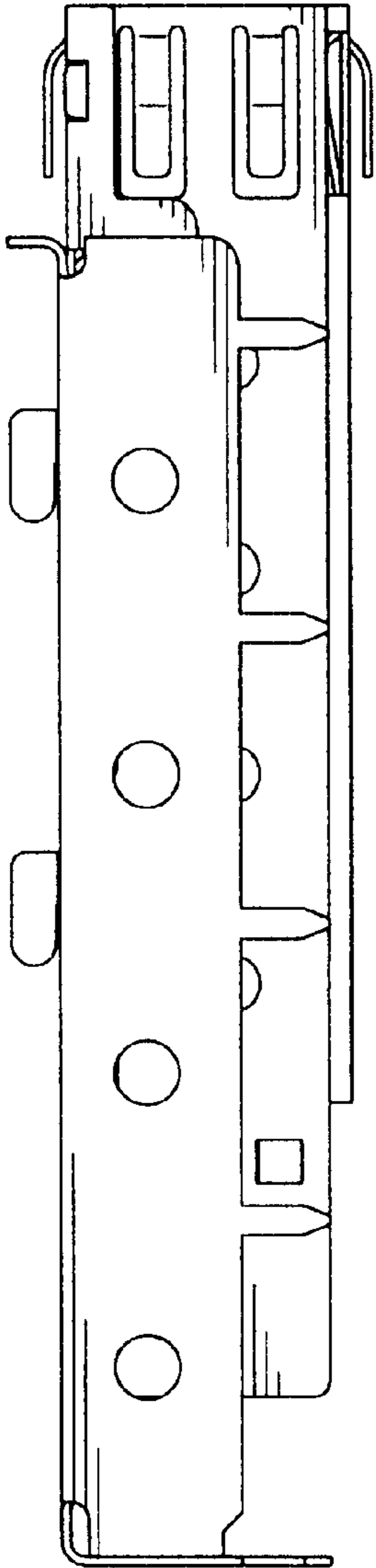


FIG. 4

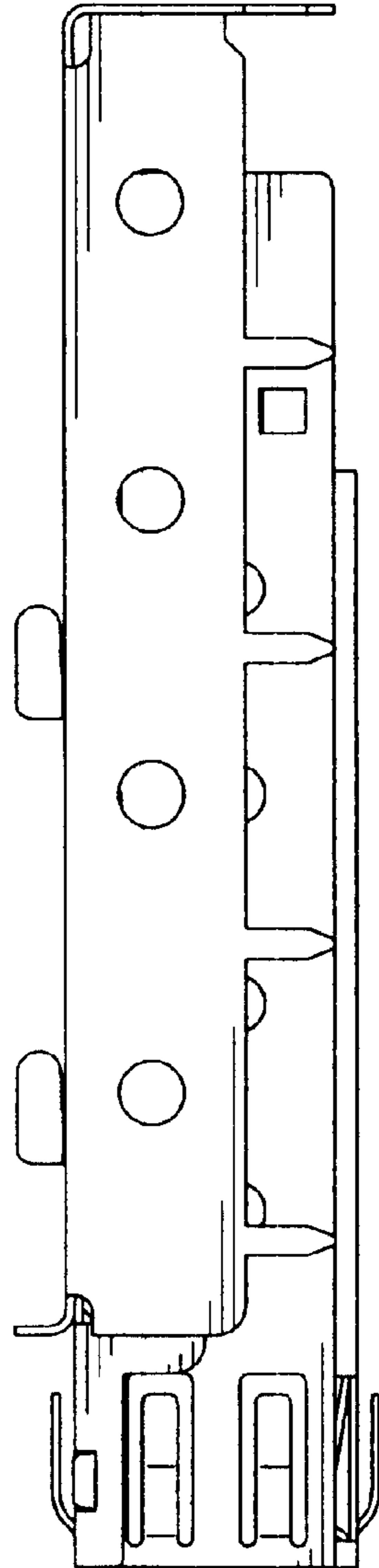


FIG. 5

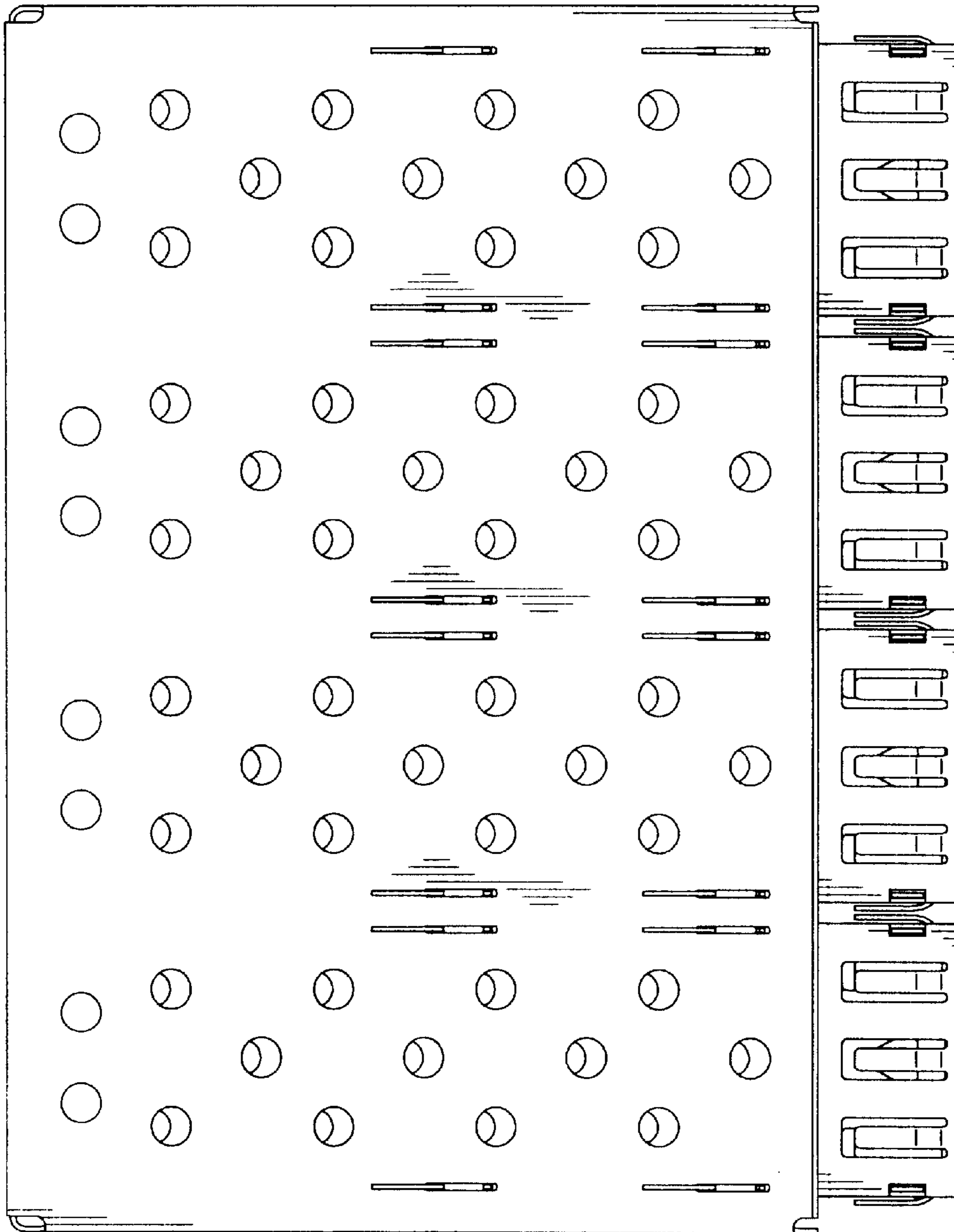


FIG. 6

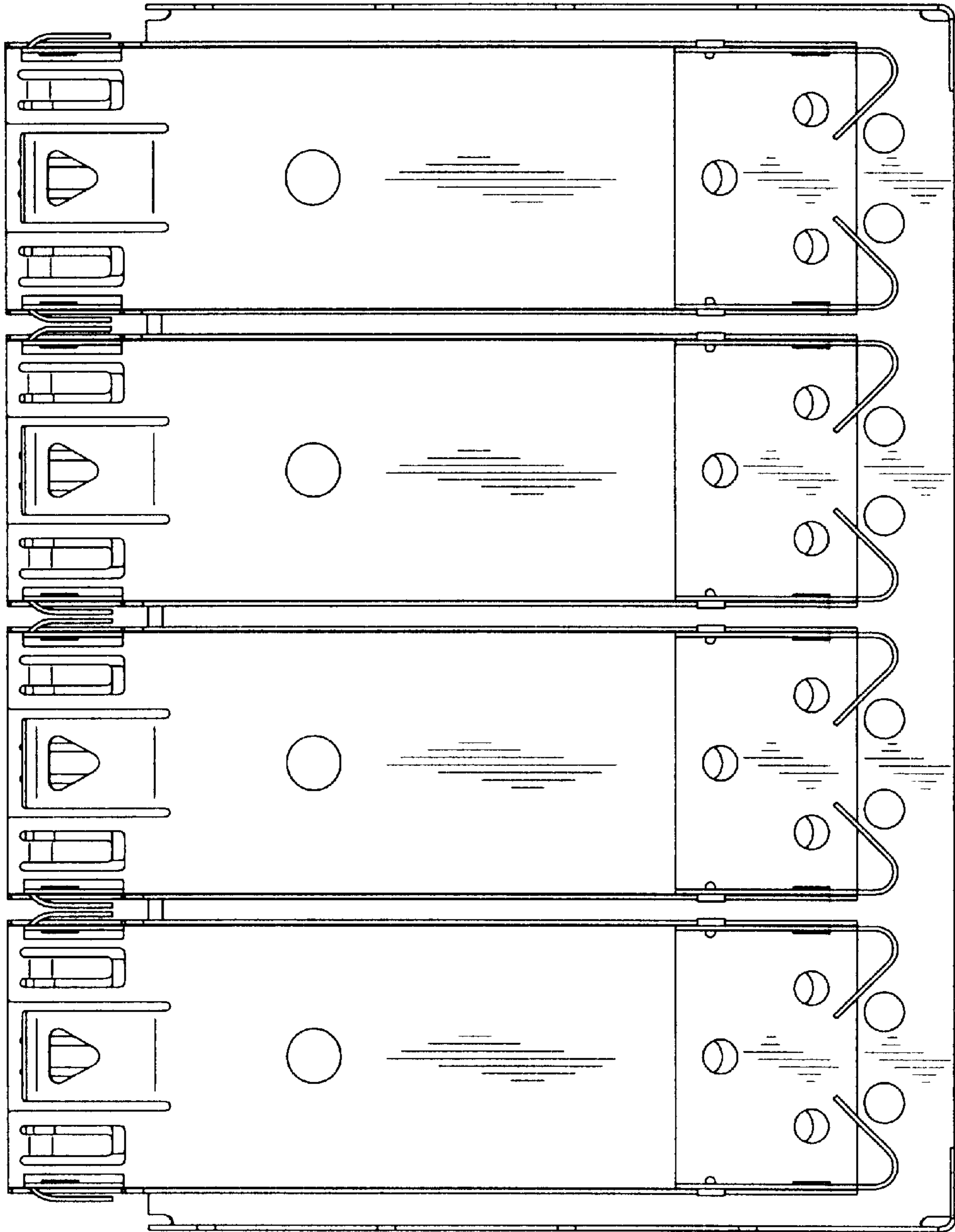


FIG. 7