



US00D481355S

(12) **United States Design Patent**
Lee

(10) **Patent No.:** **US D481,355 S**
(45) **Date of Patent:** **** Oct. 28, 2003**

(54) **LOW PROFILE CELL PHONE CAR CHARGER**

(75) Inventor: **Kendrew Lee**, Fremont, CA (US)

(73) Assignee: **Monster Cable Products, Inc.**,
Brisbane, CA (US)

(**) Term: **14 Years**

(21) Appl. No.: **29/169,770**

(22) Filed: **Oct. 25, 2002**

(51) **LOC (7) Cl.** **13-02**

(52) **U.S. Cl.** **D13/108**

(58) **Field of Search** D13/107, 108,
D13/110, 144; 439/668, 669; 320/107-115

(56) **References Cited**

U.S. PATENT DOCUMENTS

5,131,870 A * 7/1992 El-Haj D13/144 X
D349,098 S * 7/1994 Poon D13/144
D408,787 S * 4/1999 Seragnoli D13/144

OTHER PUBLICATIONS

Maxtech Telecom Corp—MAX-MCC2 Mini Mobile Phone
Battery Charger Fits All Car Specifications—www.asia.glo-
balsources.com—Accessed Sunday, Oct. 21, 2001.*

Starcell Co Ltd—In -Car Saver and Charger STIP A Slimmer
and More Intelligent Design—www.asia.global
source.com—Accessed Sunday, Oct. 21, 2001.*

* cited by examiner

Primary Examiner—Joel Sincavage

(74) *Attorney, Agent, or Firm*—LaRiviere, Grubman &
Payne, LLP

(57) **CLAIM**

The ornamental design for a low profile cell phone car
charger, as shown and described.

DESCRIPTION

A portion of the disclosure of this design patent document
contains material to which a claim of copyright protection is
made. The copyright owner has no objection to the facsimile
reproduction of the patent document or the patent disclosure
as it appears in the U.S. Patent and Trademark office file or
records, but reserves all other copyright rights.

FIG. 1 is a perspective view of a low profile cell phone car
charger, in accordance with the present invention.

FIG. 2 is a top plan view thereof.

FIG. 3 is a front elevation view thereof.

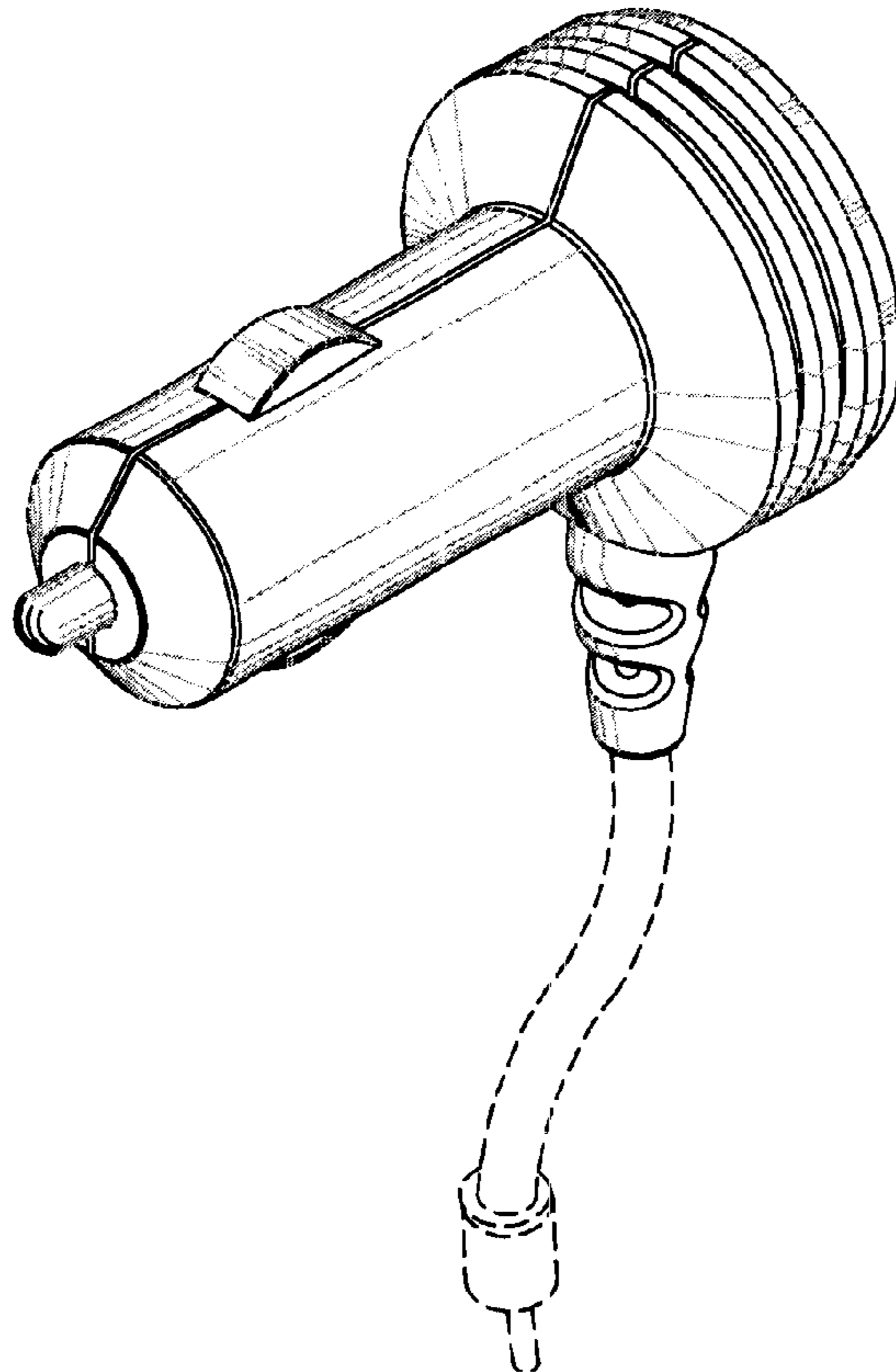
FIG. 4 is a right elevation view thereof.

FIG. 5 is a left elevation view thereof.

FIG. 6 is a back elevation view thereof; and,

FIG. 7 is a bottom plan view thereof.

1 Claim, 4 Drawing Sheets



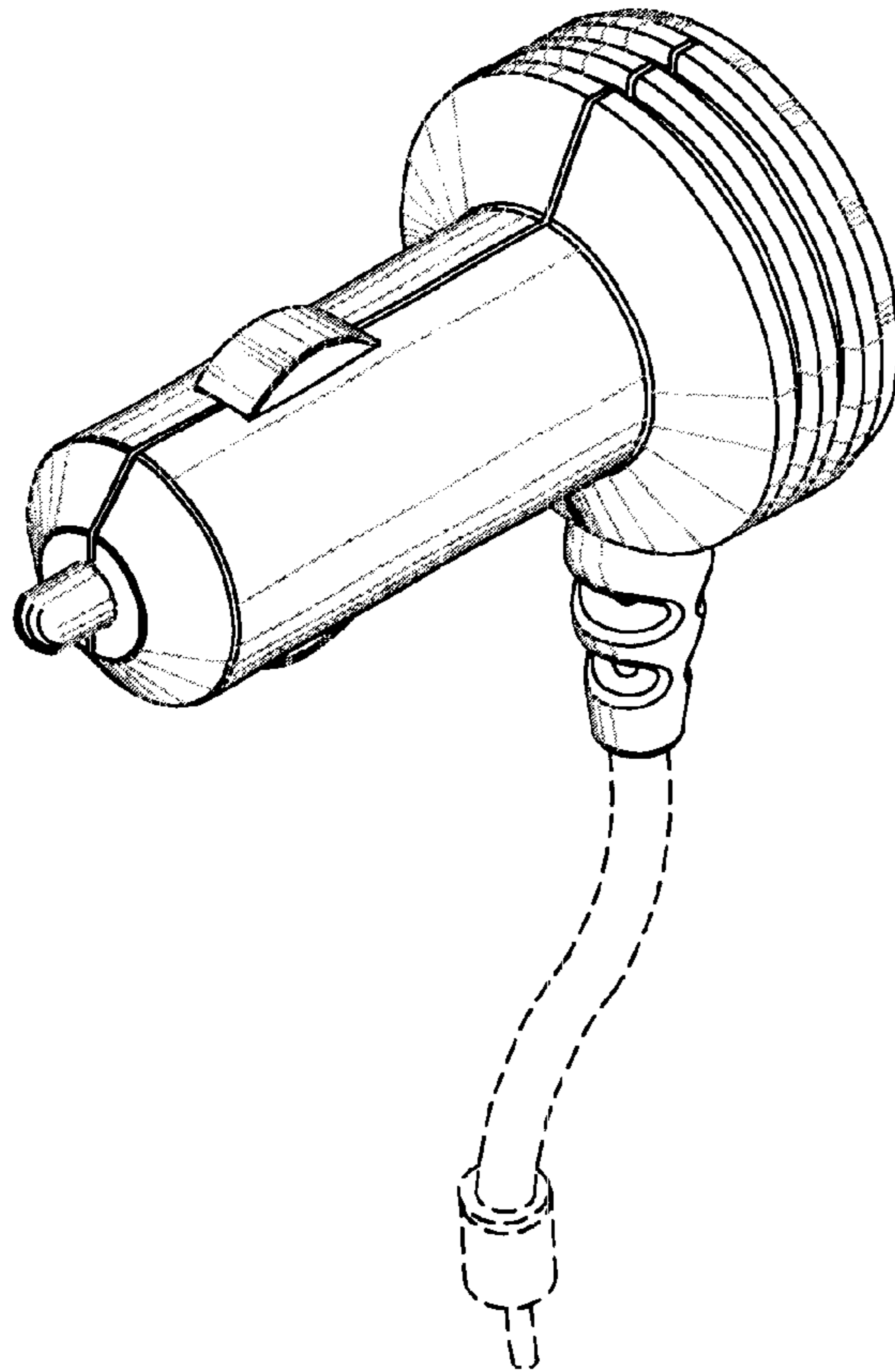


Figure 1

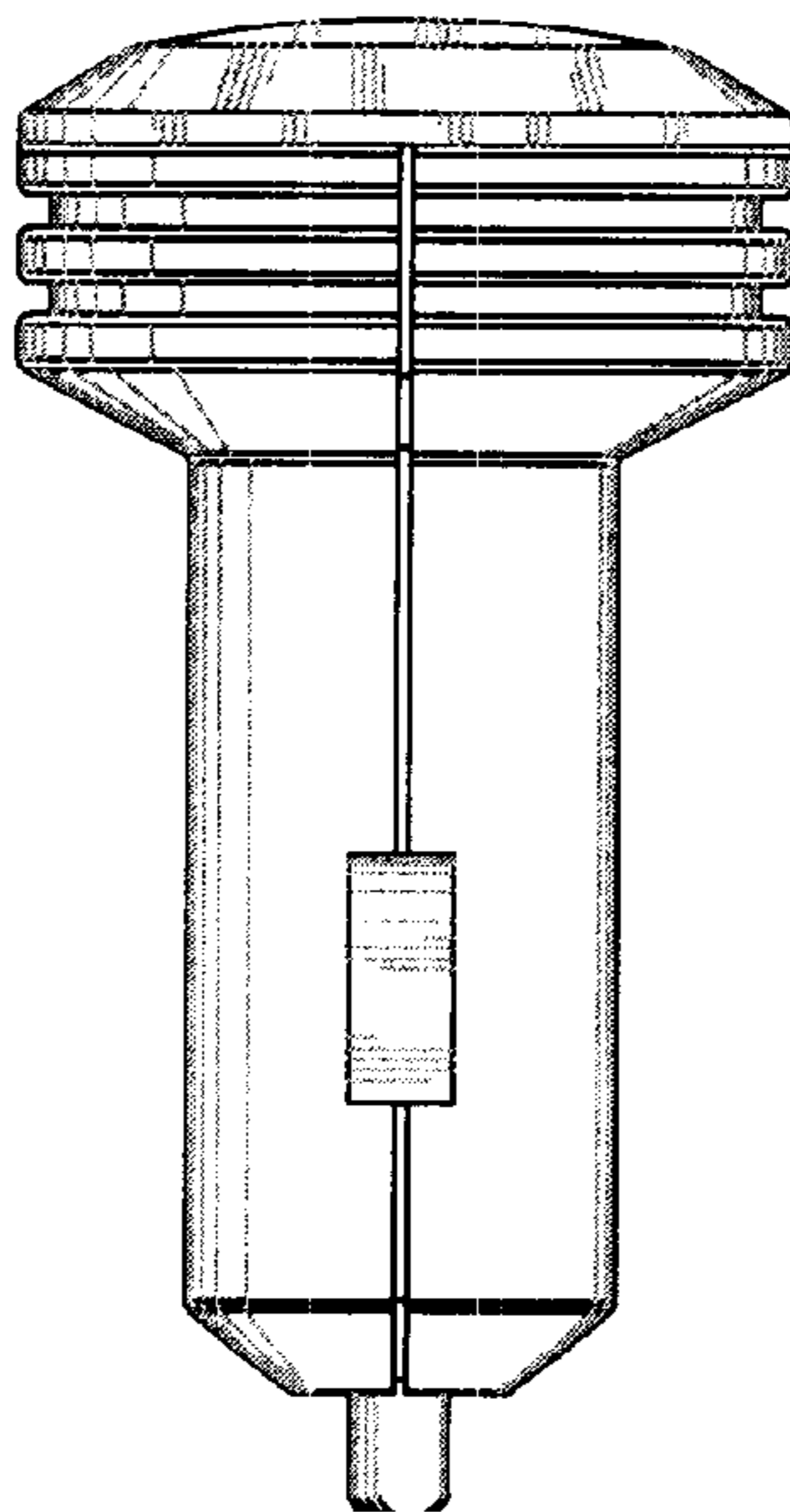


Figure 2

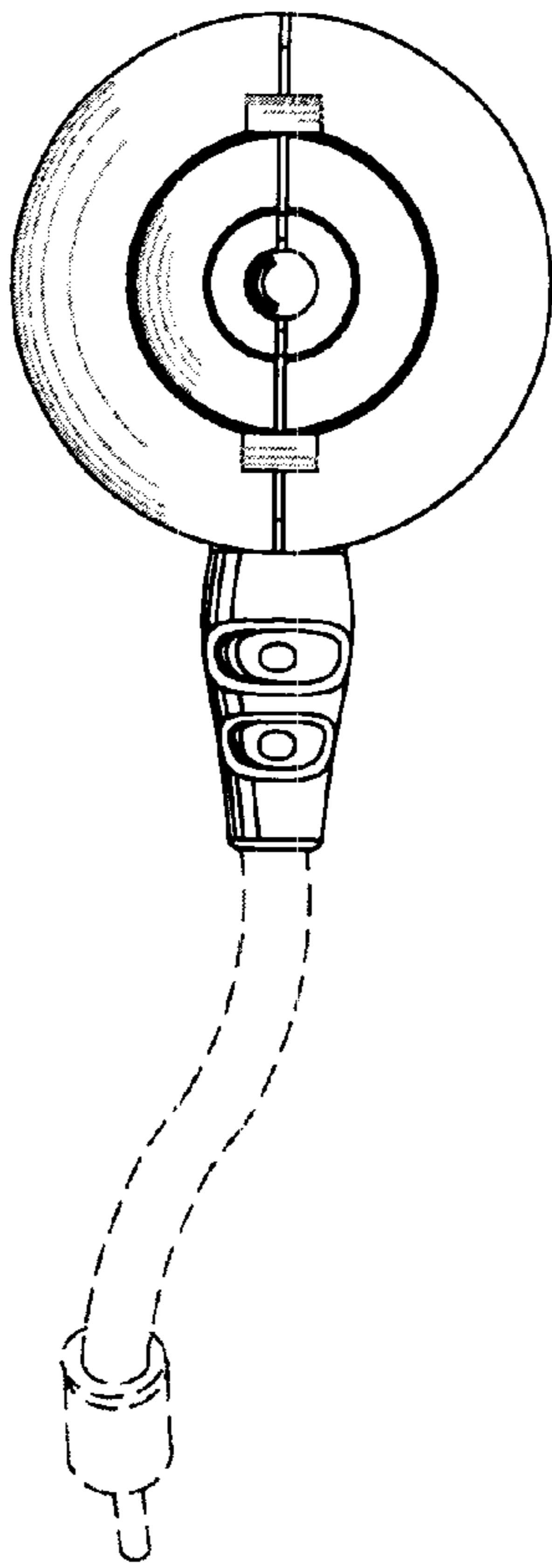


Figure 3

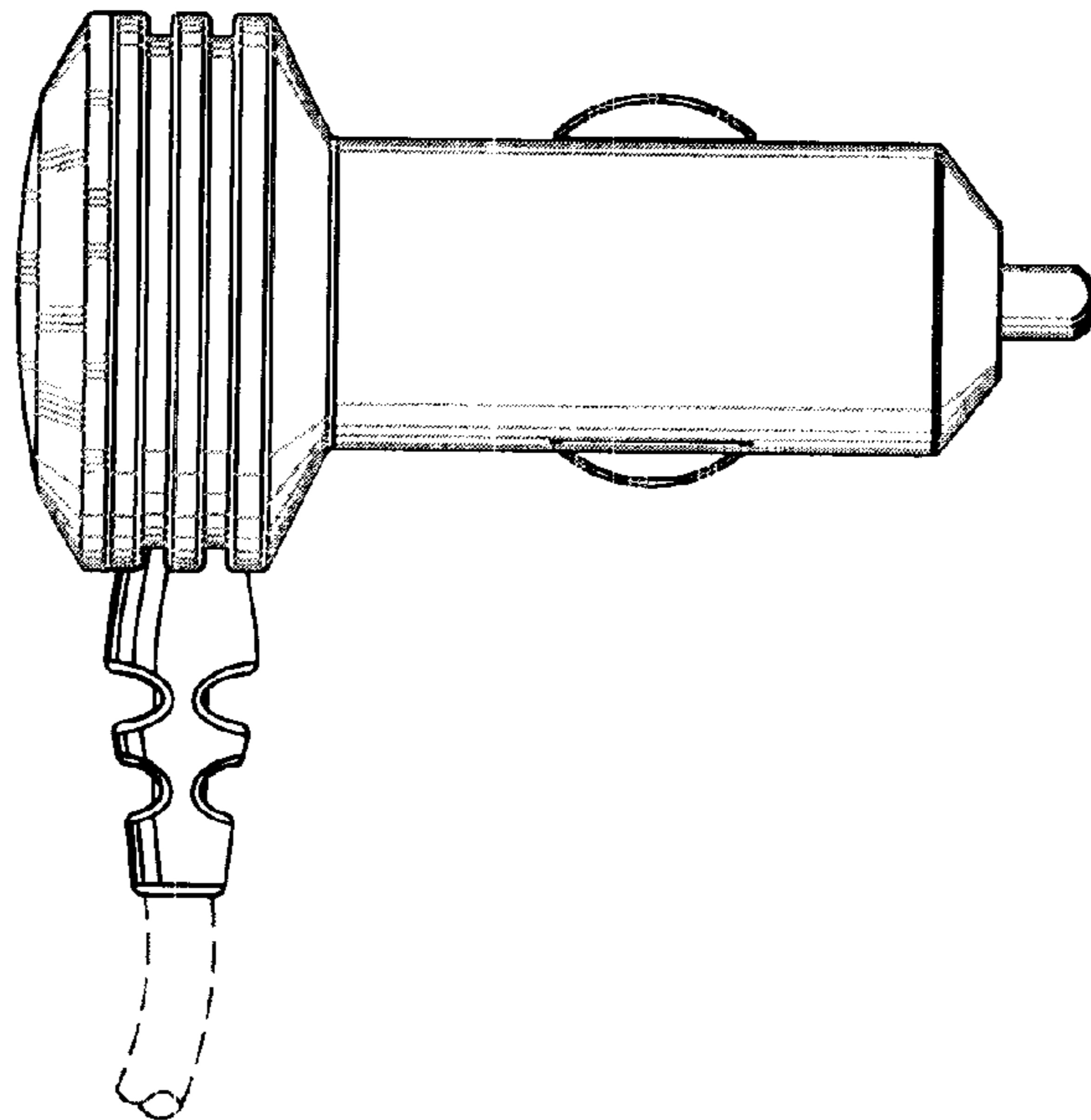


Figure 4

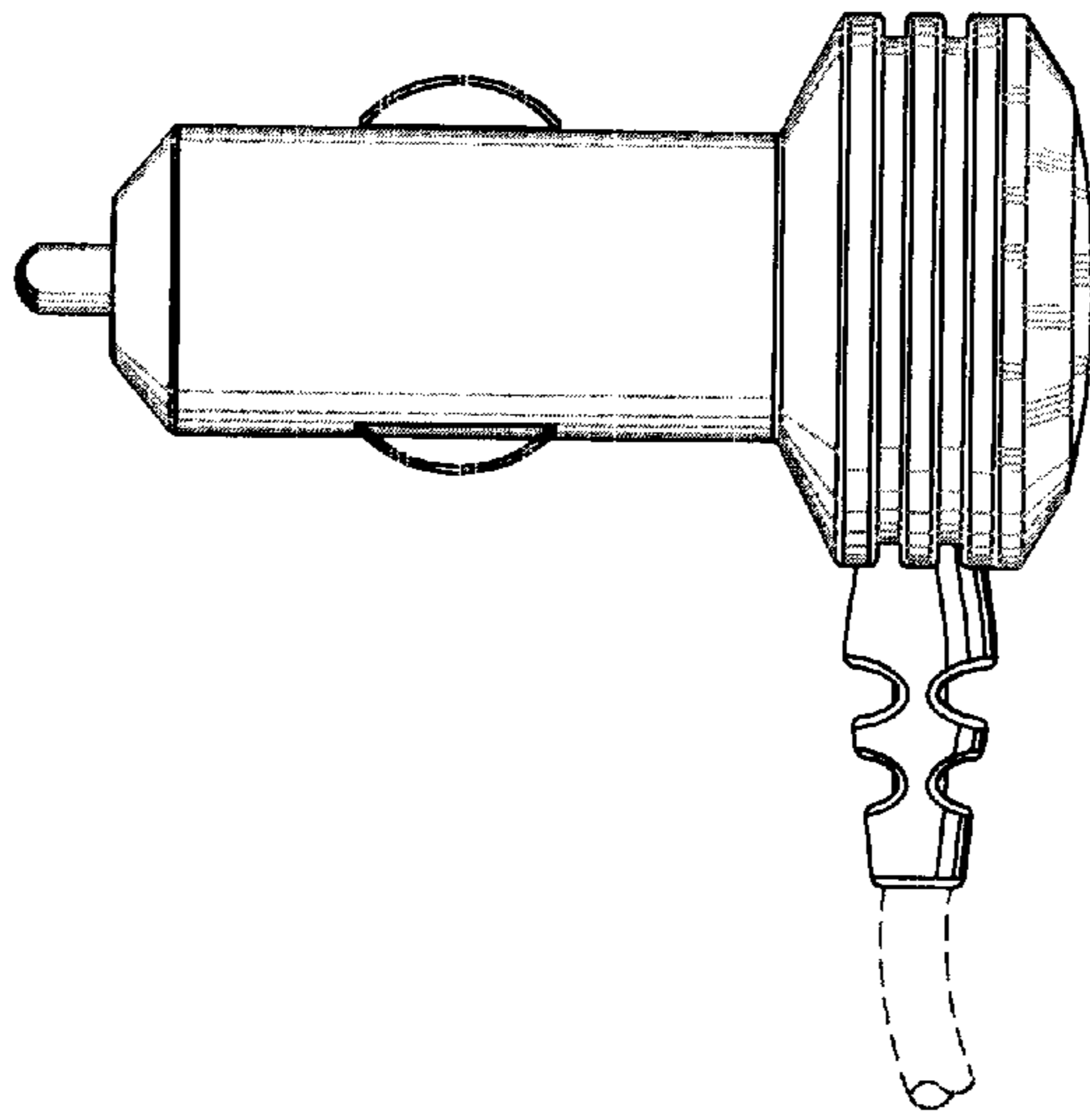


Figure 5

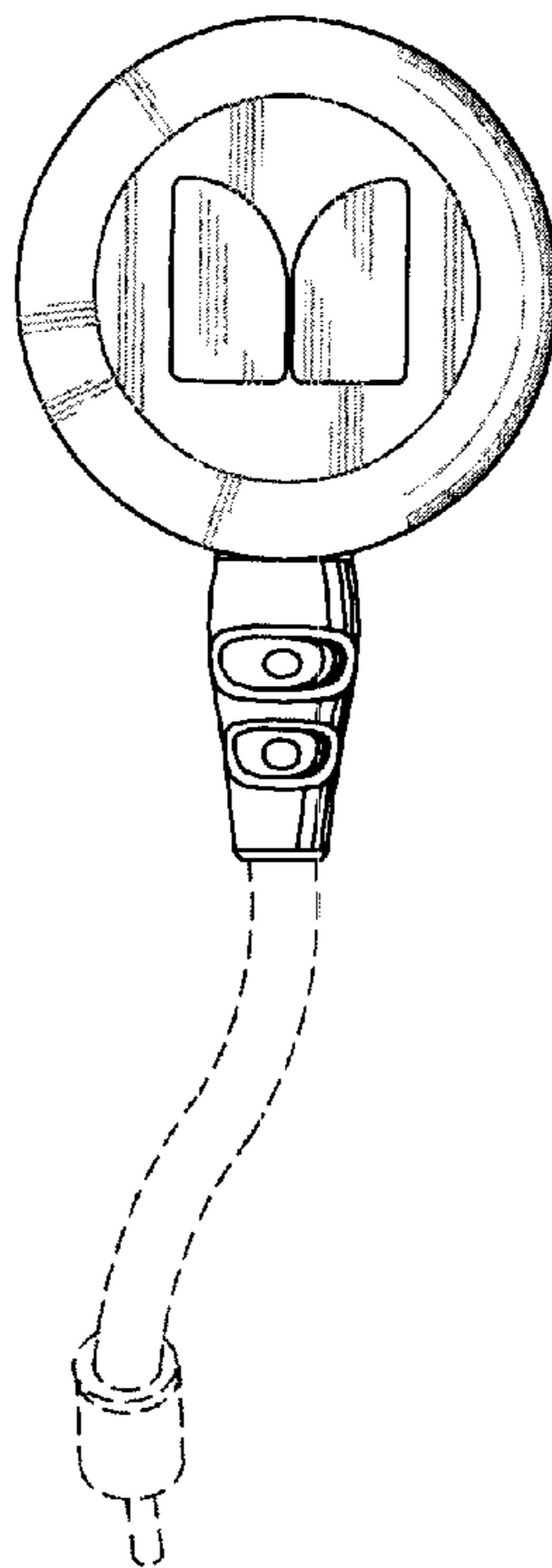


Figure 6

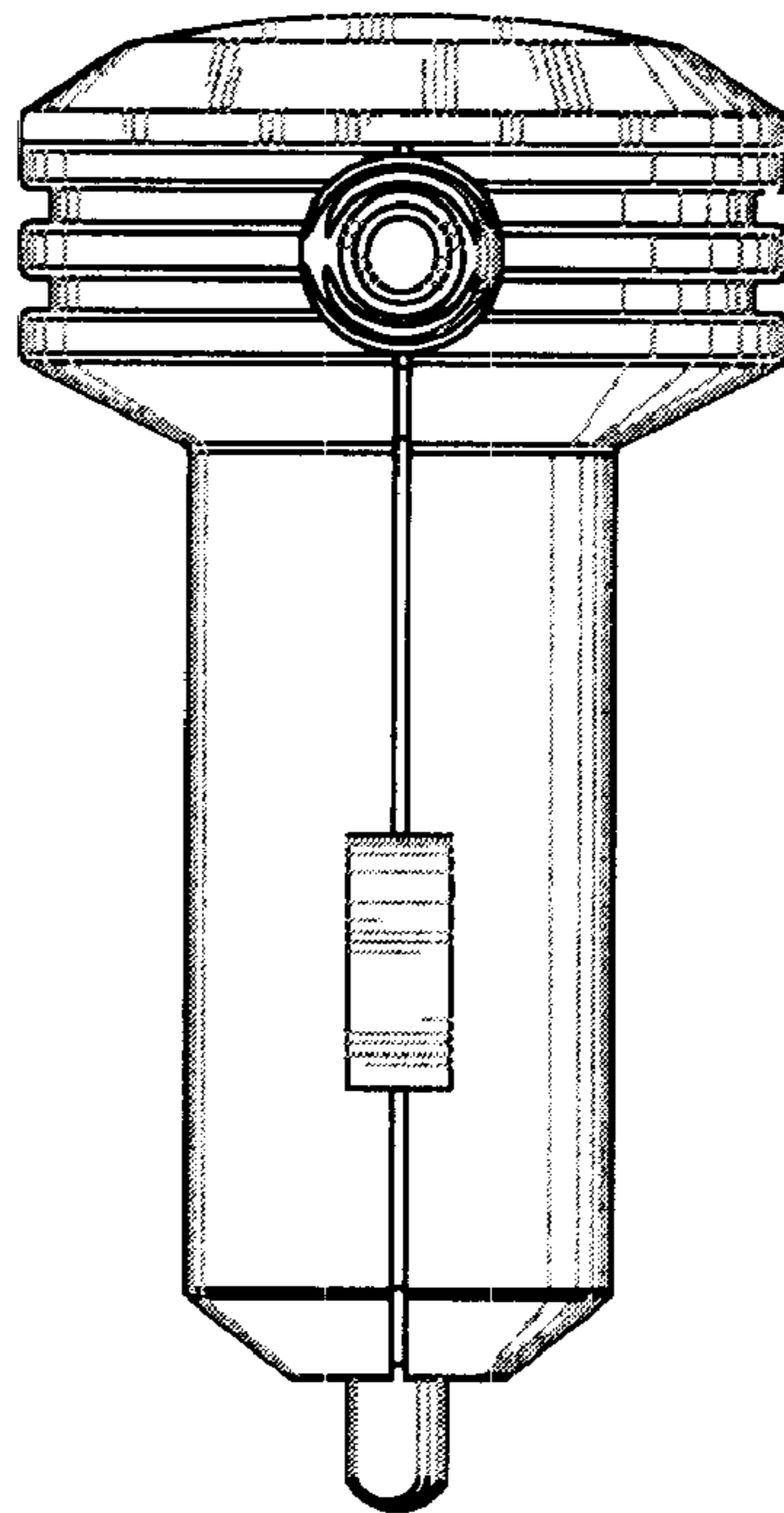


Figure 7

UNITED STATES PATENT AND TRADEMARK OFFICE
CERTIFICATE OF CORRECTION

PATENT NO. : Des. 481,355 S
DATED : October 28, 2003
INVENTOR(S) : Kendrew Lee

Page 1 of 5

It is certified that error appears in the above-identified patent and that said Letters Patent is hereby corrected as shown below:

Drawings,

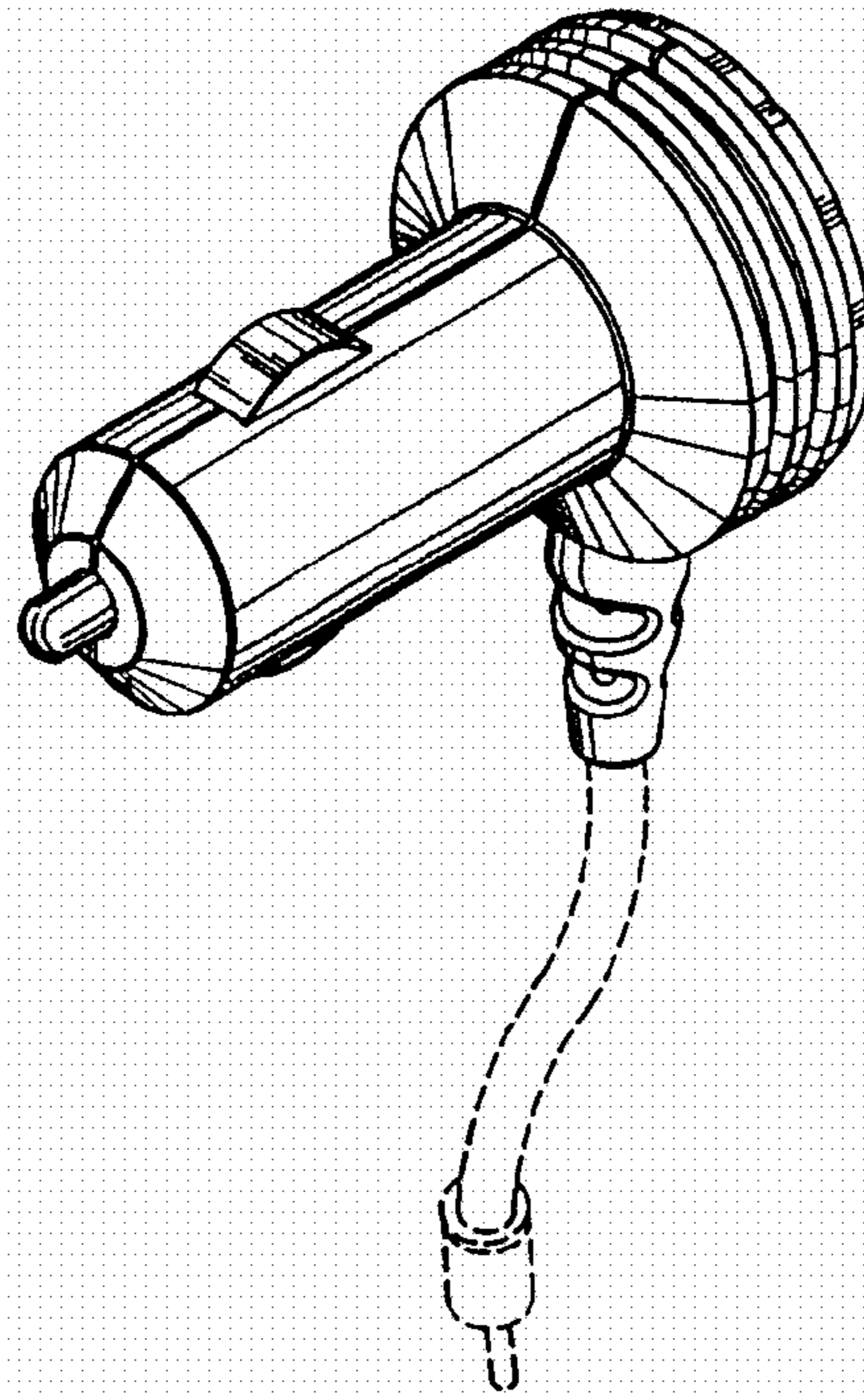
Insert -- © 2002 MONSTER CABLE PRODUCTS, INC. -- below each figure 1 through 7.

Signed and Sealed this

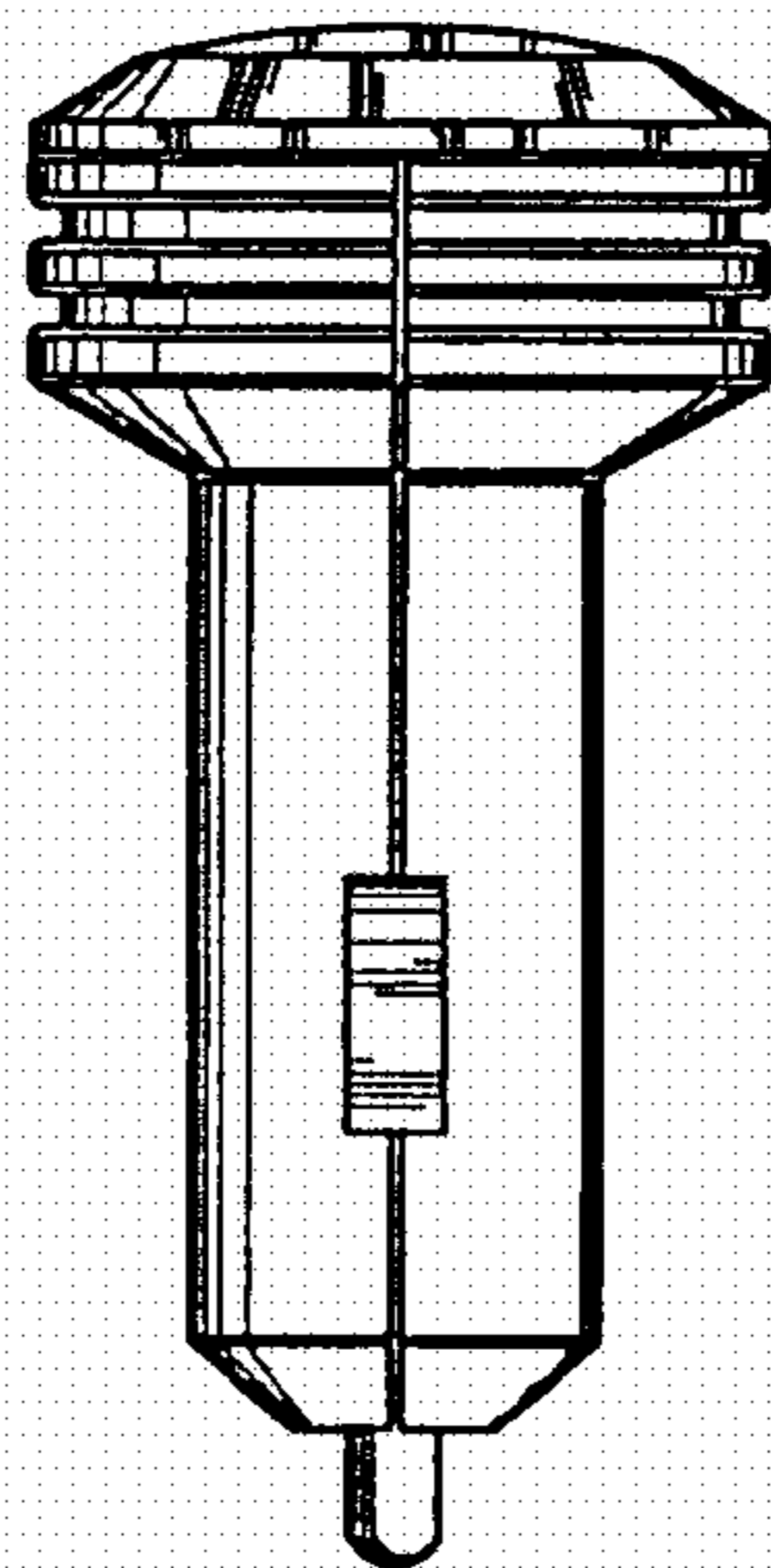
Ninth Day of March, 2004

A handwritten signature in black ink that reads "Jon W. Dudas". The signature is written in a cursive style with a large, looped initial "J".

JON W. DUDAS
Acting Director of the United States Patent and Trademark Office

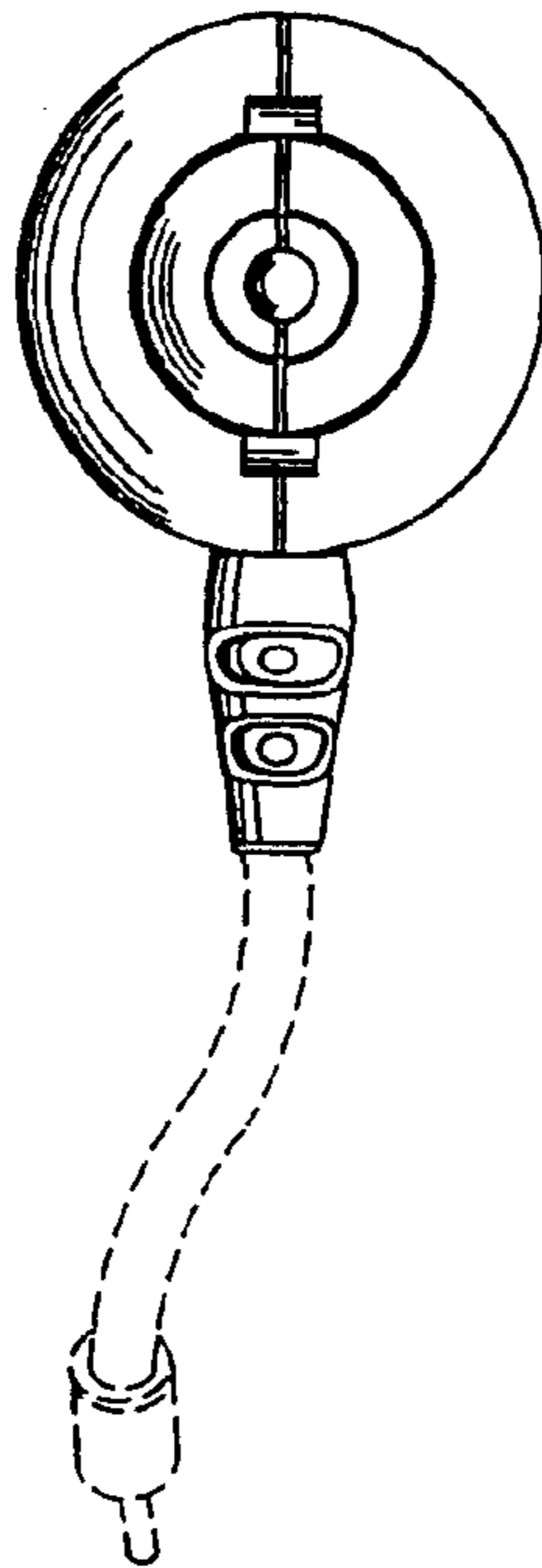


© 2002 MONSTER CABLE PRODUCTS, INC.
Figure 1



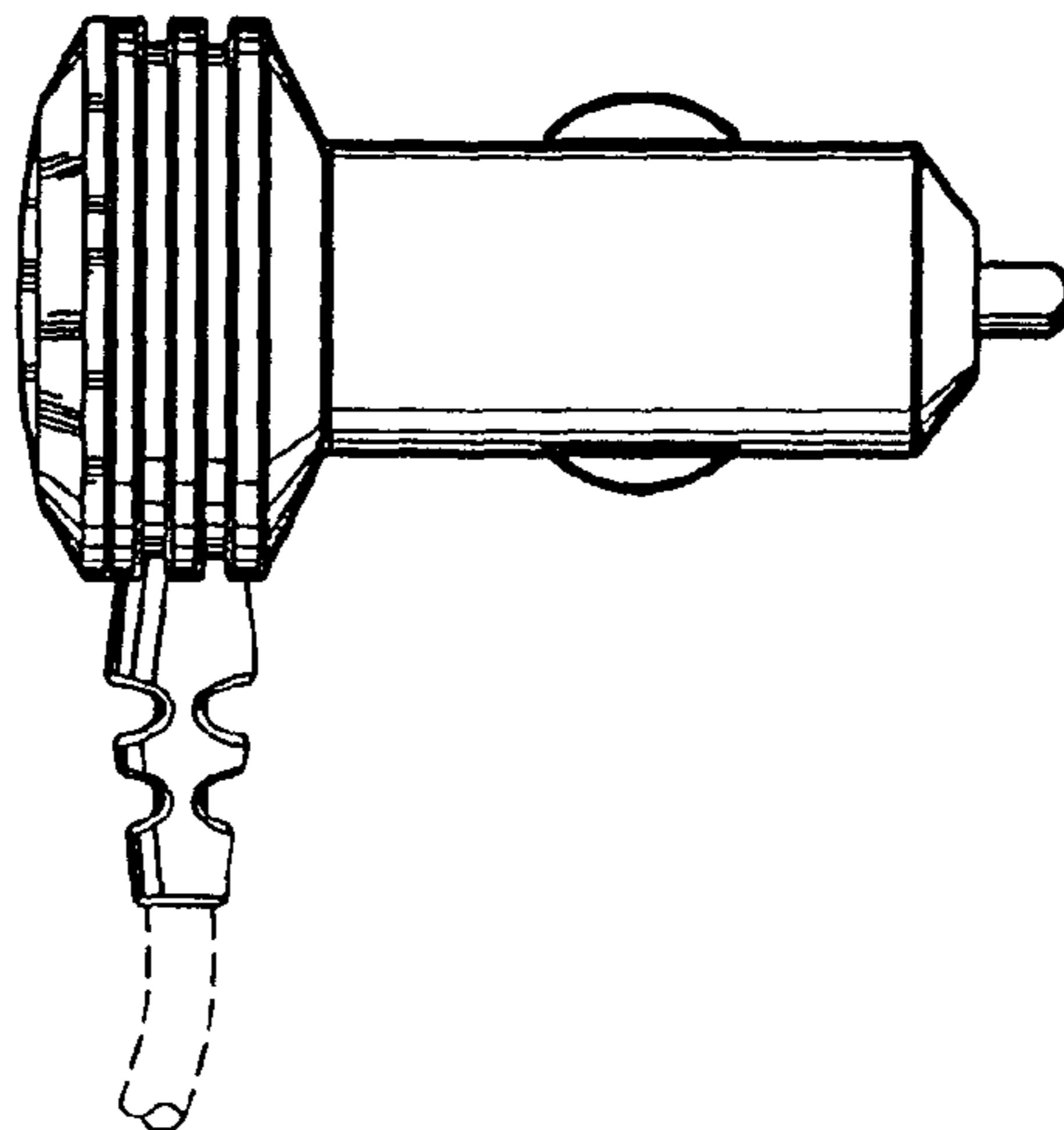
© 2002 MONSTER CABLE PRODUCTS, INC.
Figure 2

2/4



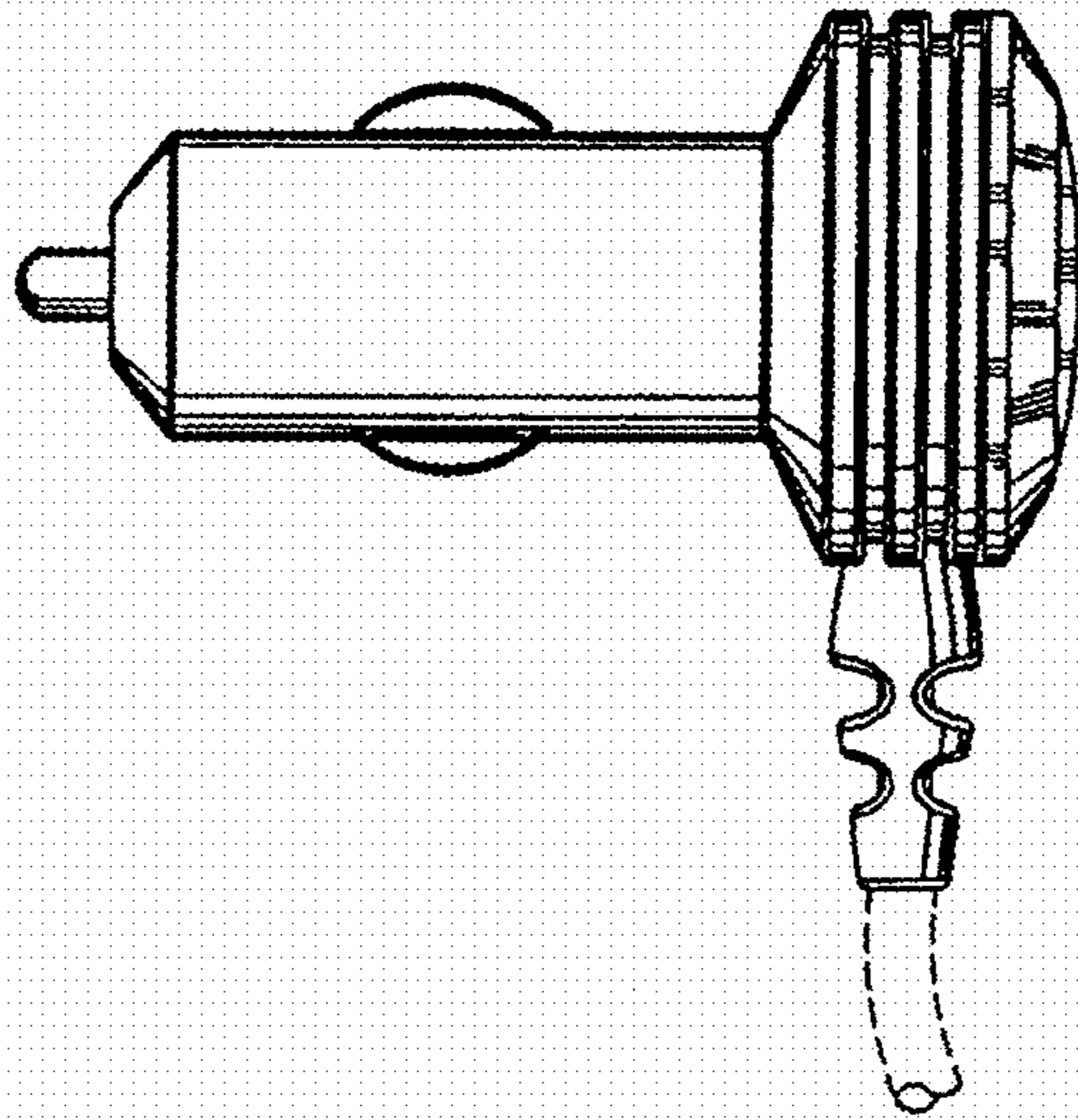
©2002 MONSTER CABLE PRODUCTS, INC.

Figure 3



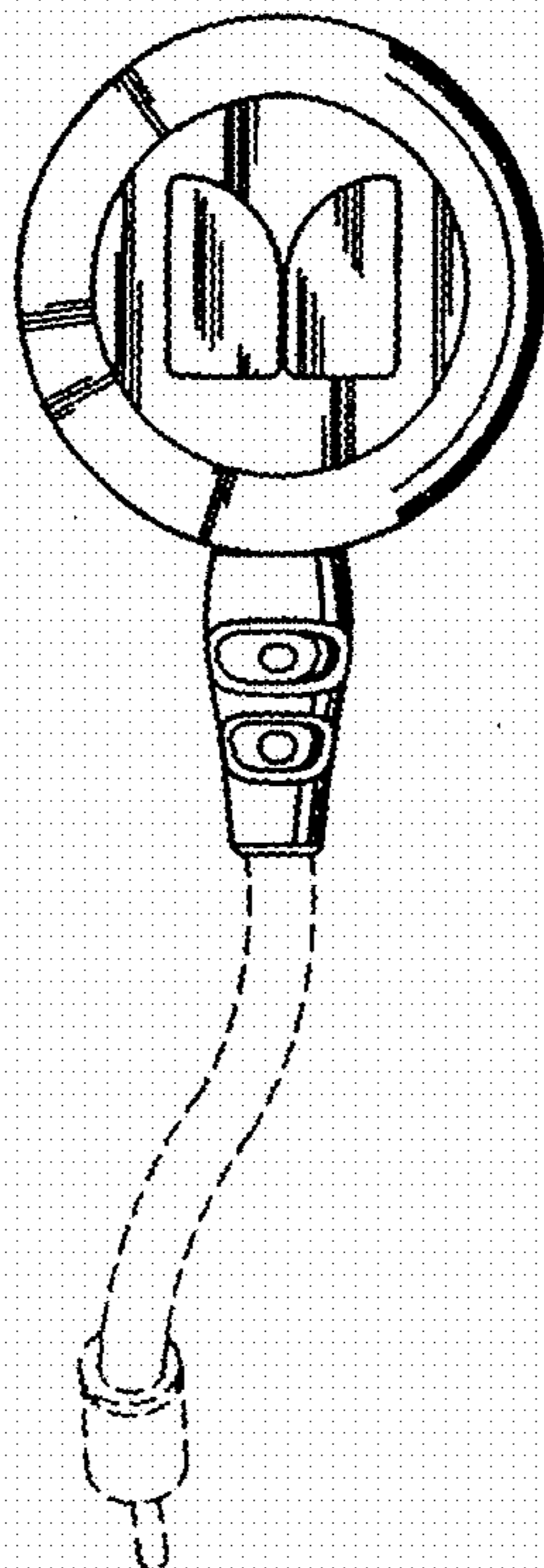
©2002 MONSTER CABLE PRODUCTS, INC.

Figure 4



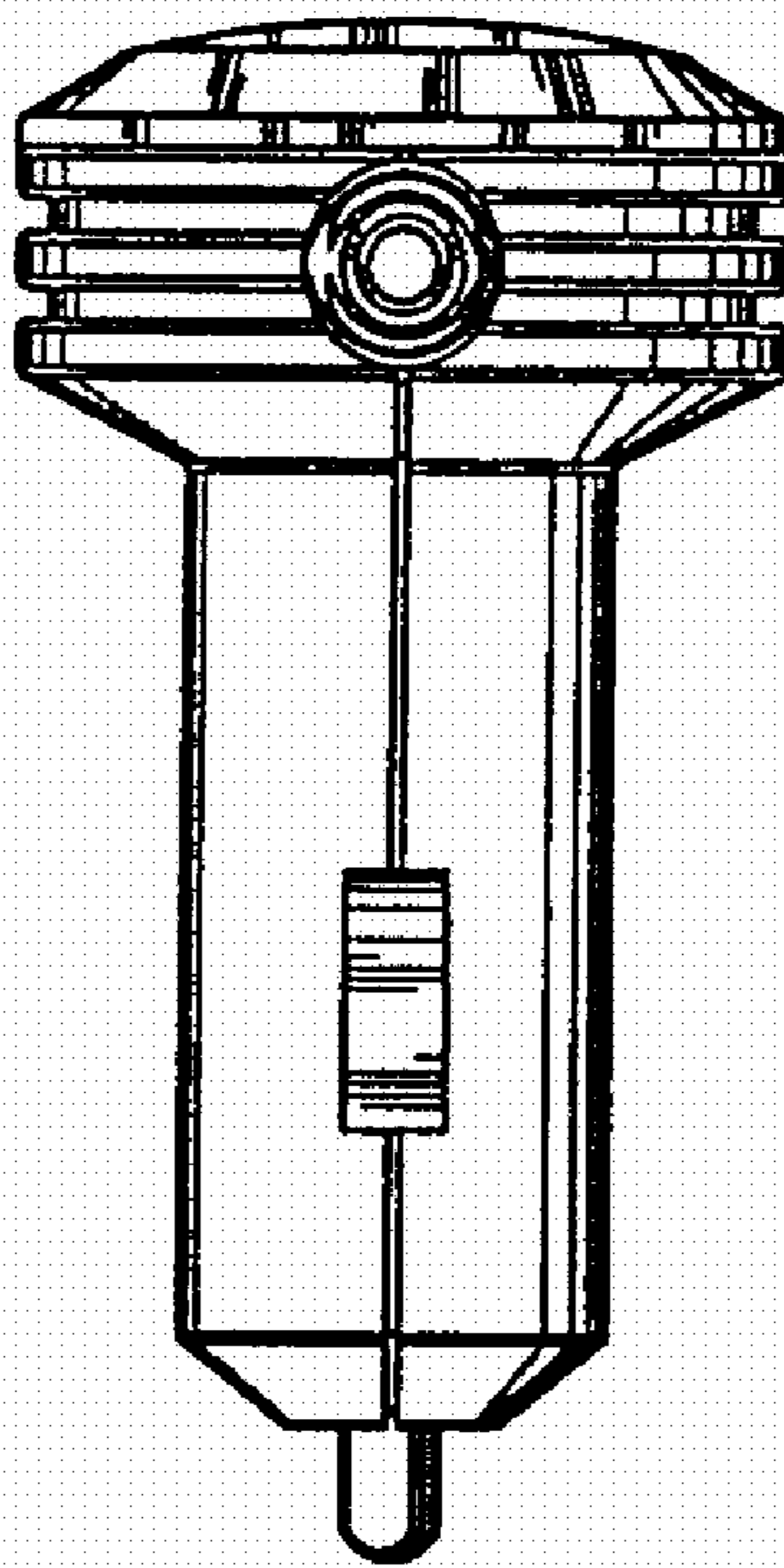
© 2002 MONSTER CABLE PRODUCTS, INC.

Figure 5



© 2002 MONSTER CABLE PRODUCTS, INC.

Figure 6



© 2002 MONSTER CABLE PRODUCTS, INC.
Figure 7