



US00D481351S

(12) **United States Design Patent**  
**Brooks**

(10) **Patent No.:** **US D481,351 S**

(45) **Date of Patent:** **\*\* Oct. 28, 2003**

(54) **ALL-TERRAIN VEHICLE STORAGE CONTAINER**

(75) **Inventor:** **Gregory R. Brooks**, 1086 Greenville Pike, Hazel Green, AL (US) 35750

(73) **Assignee:** **Gregory R. Brooks**, Hazel Green, AL (US)

(\*\*) **Term:** **14 Years**

(21) **Appl. No.:** **29/169,552**

(22) **Filed:** **Oct. 22, 2002**

(51) **LOC (7) Cl.** ..... **12-16**

(52) **U.S. Cl.** ..... **D12/409**

(58) **Field of Search** ..... D12/110, 107, D12/407, 409, 410; 224/401, 412, 413, 426-435, 42.11, 42.32, 924; 296/37.1

(56) **References Cited**

**U.S. PATENT DOCUMENTS**

- D238,266 S \* 12/1975 Dalton ..... D12/410
- D244,927 S \* 7/1977 Anthon, III ..... D12/410
- 5,573,162 A \* 11/1996 Spencer et al. .... 224/401

\* cited by examiner

*Primary Examiner*—Alan P. Douglas

*Assistant Examiner*—Linda Brooks

(74) *Attorney, Agent, or Firm*—Thomas, Kayden, Horstemeyer & Risley, LLP

(57) **CLAIM**

The ornamental design for an all-terrain vehicle storage container, as shown and described.

**DESCRIPTION**

FIG. 1 is a perspective view showing my new all-terrain vehicle storage container;

FIG. 2 is a perspective view thereof, illustrating the enclosing door in an open position;

FIG. 3 is a right side view thereof, the left side view thereof being a mirror image of that which is shown;

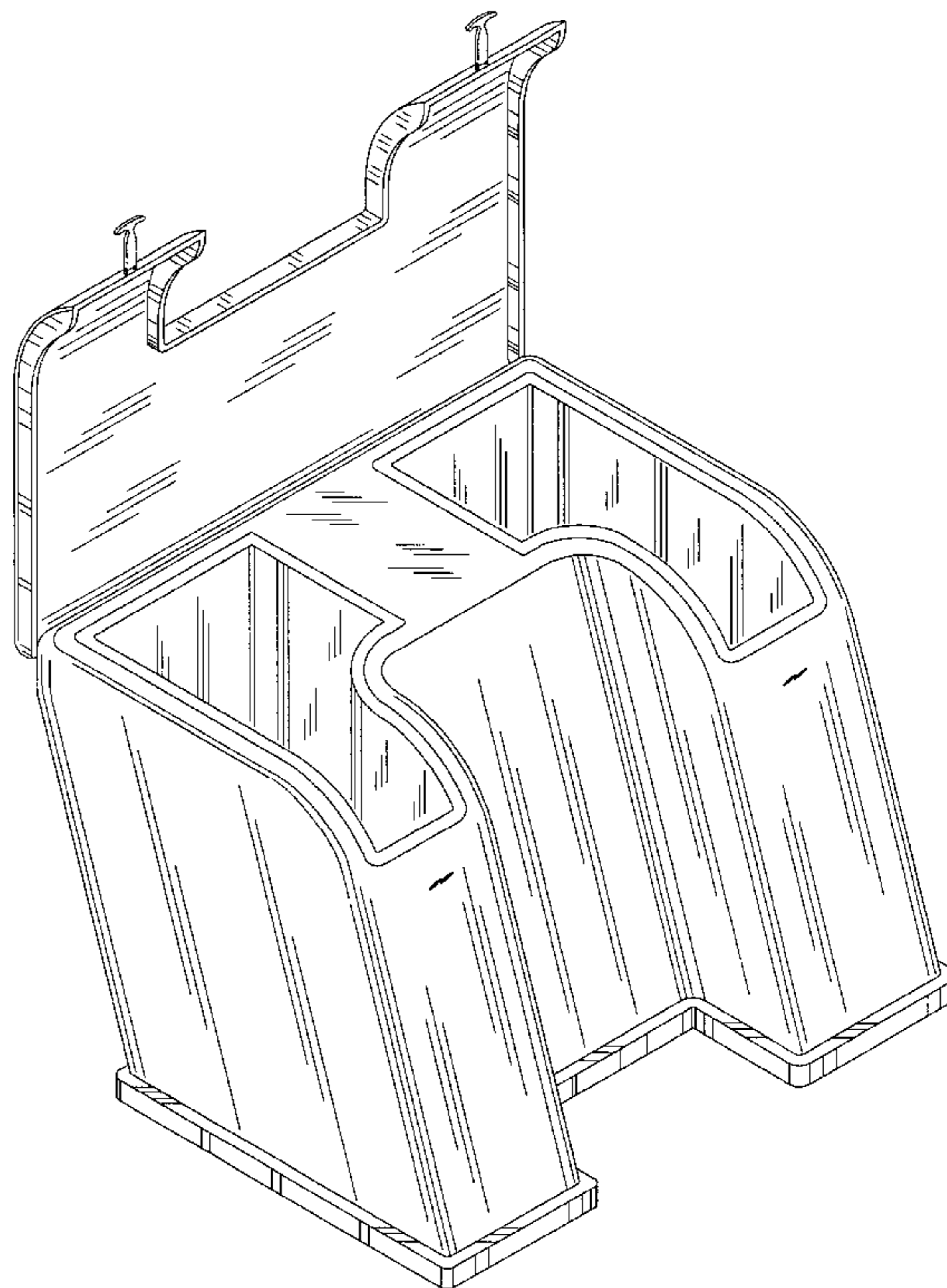
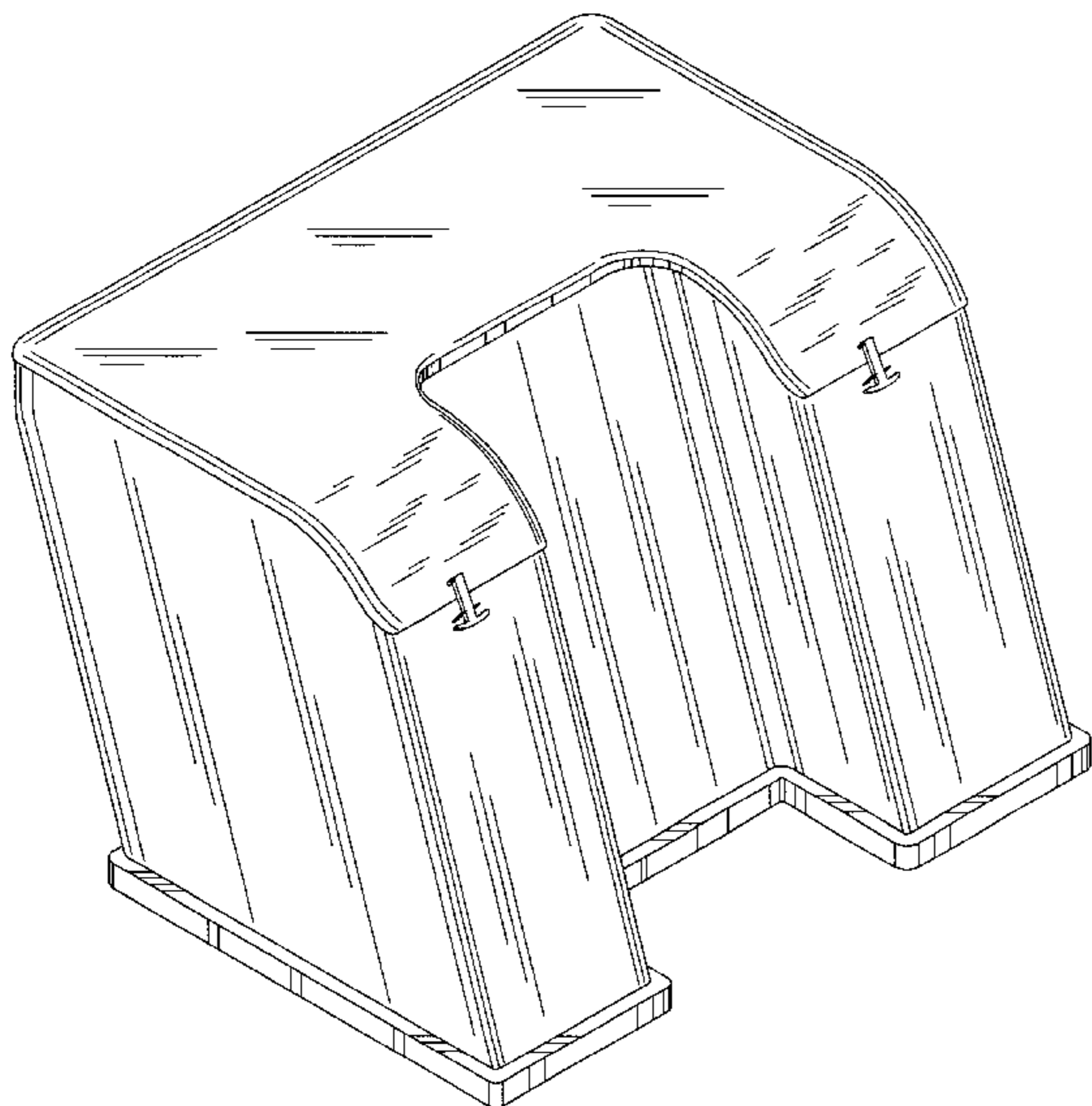
FIG. 4 is a front view thereof;

FIG. 5 is a back view thereof;

FIG. 6 is a top plan view thereof; and,

FIG. 7 is a right side view thereof, illustrating the placement on an all-terrain vehicle, which is shown in broken lines for illustrative purposes only and forms no part of the claimed design.

**1 Claim, 4 Drawing Sheets**



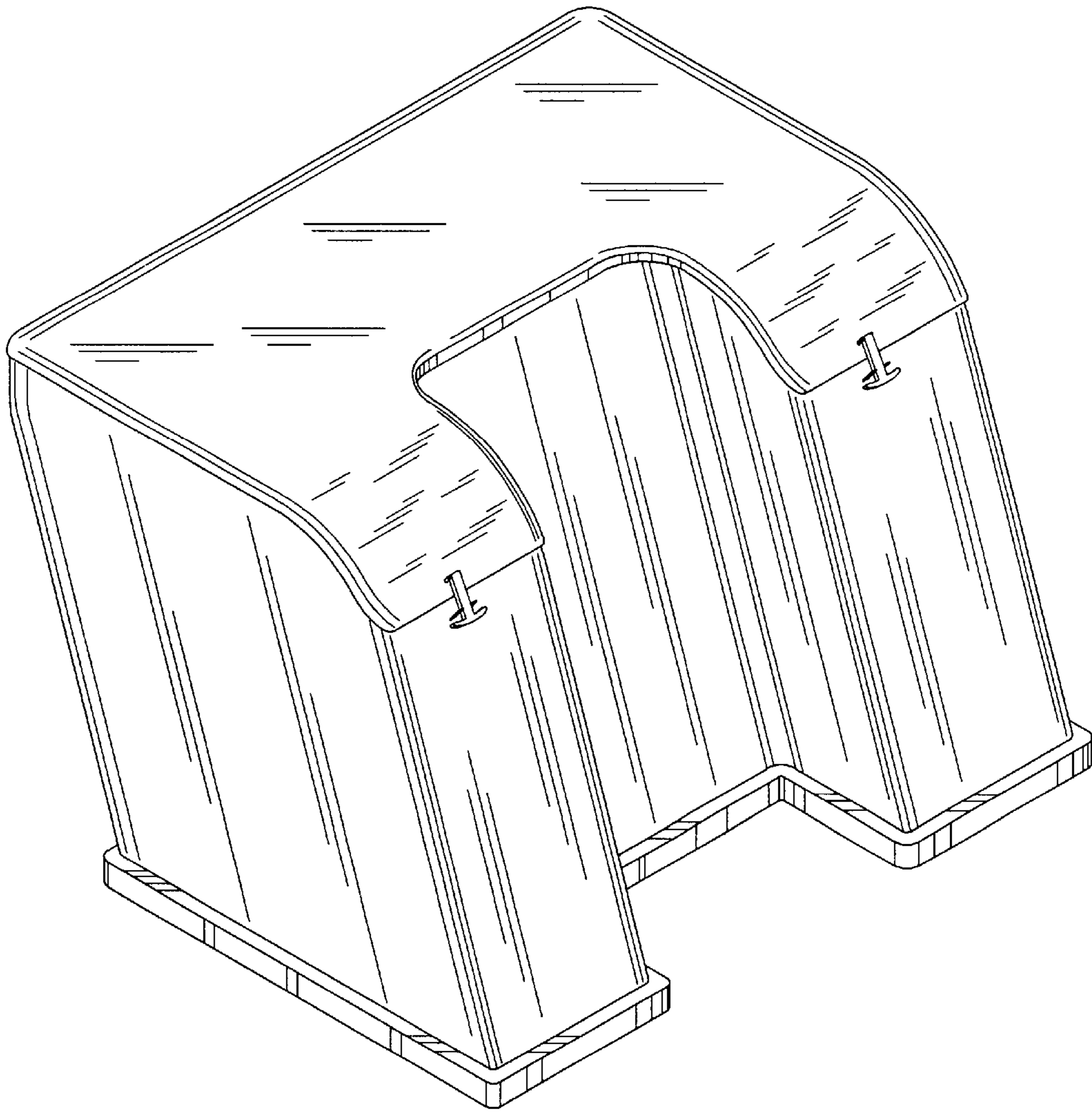


FIG. 1

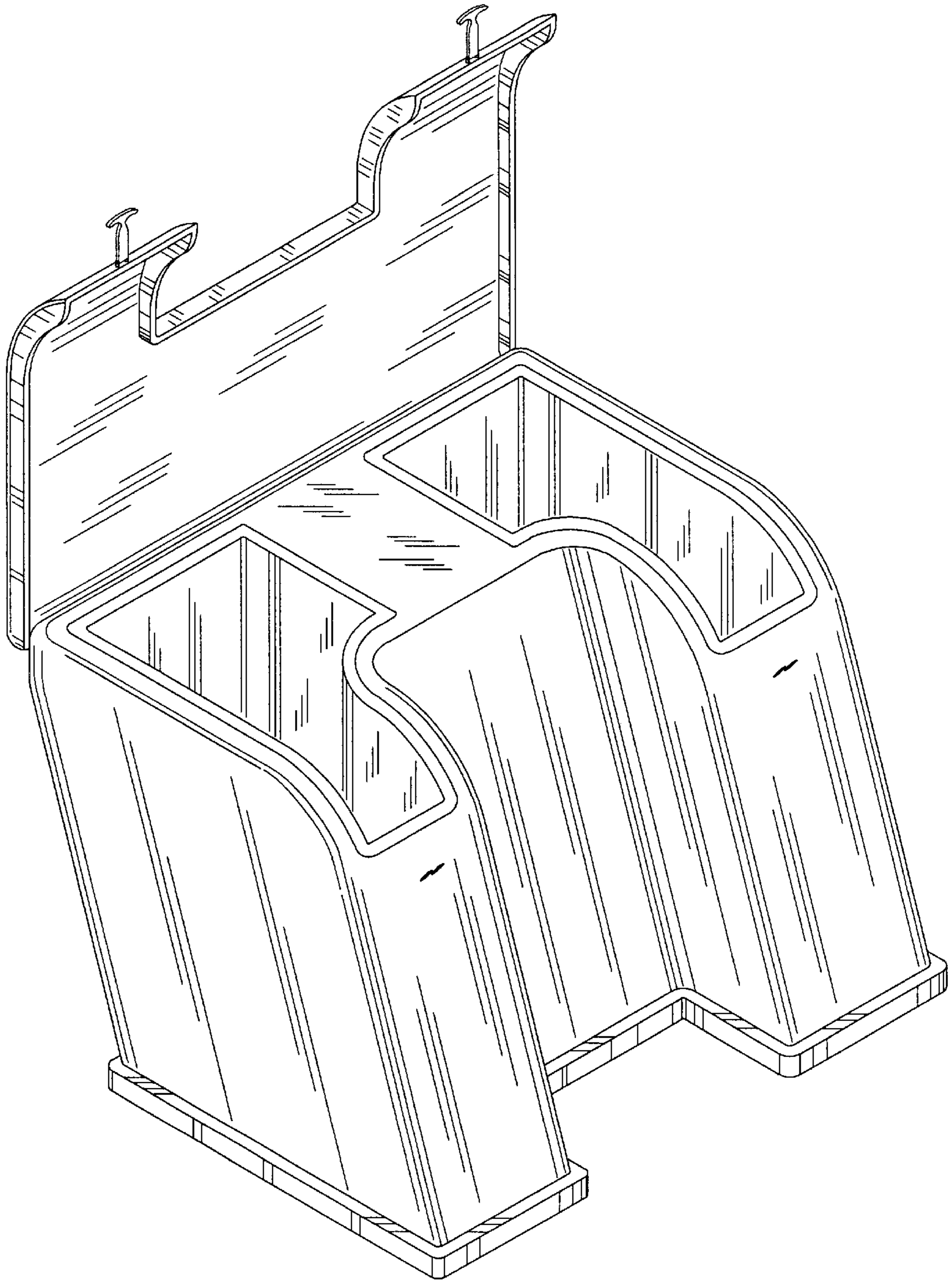


FIG. 2

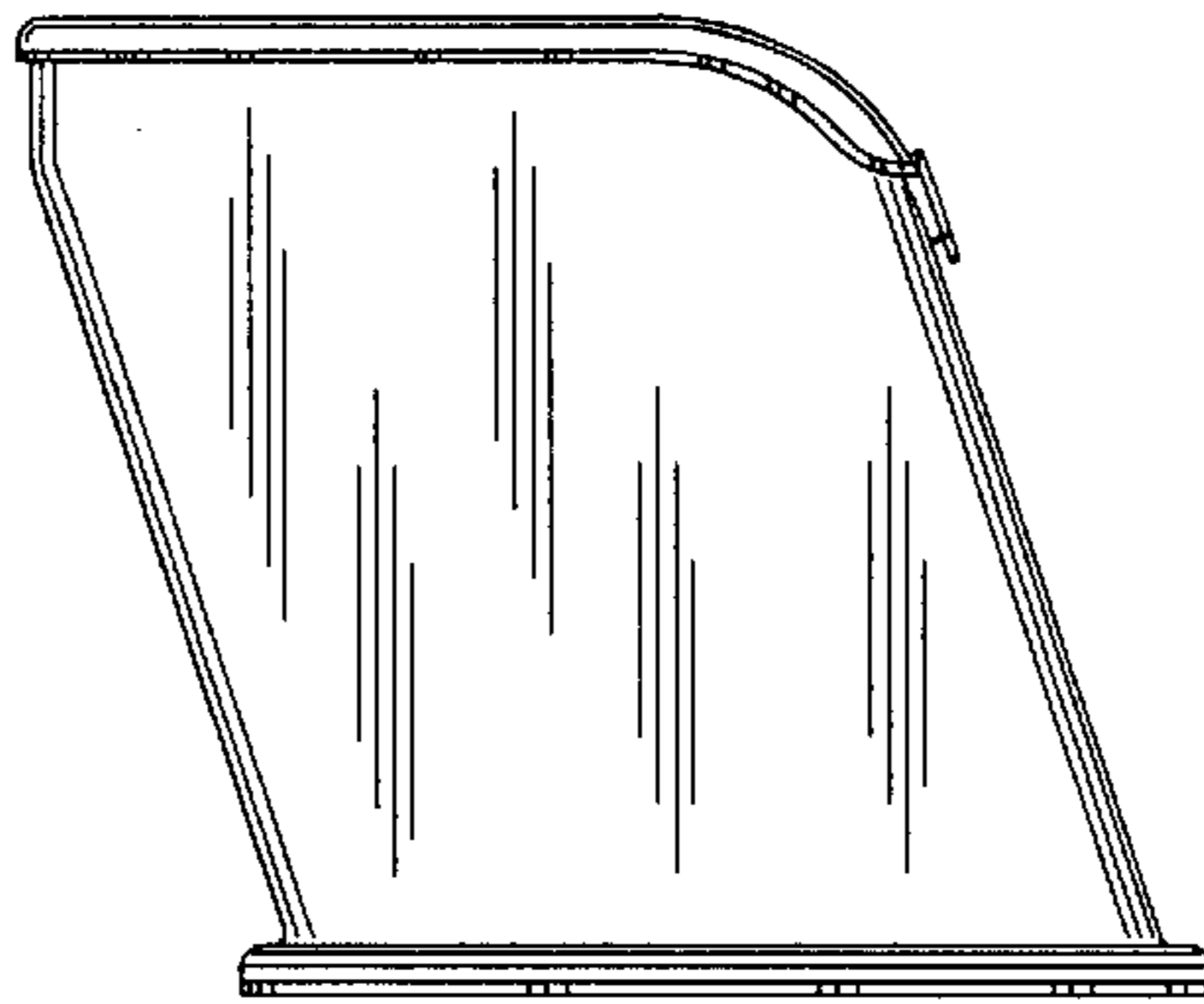


FIG. 3

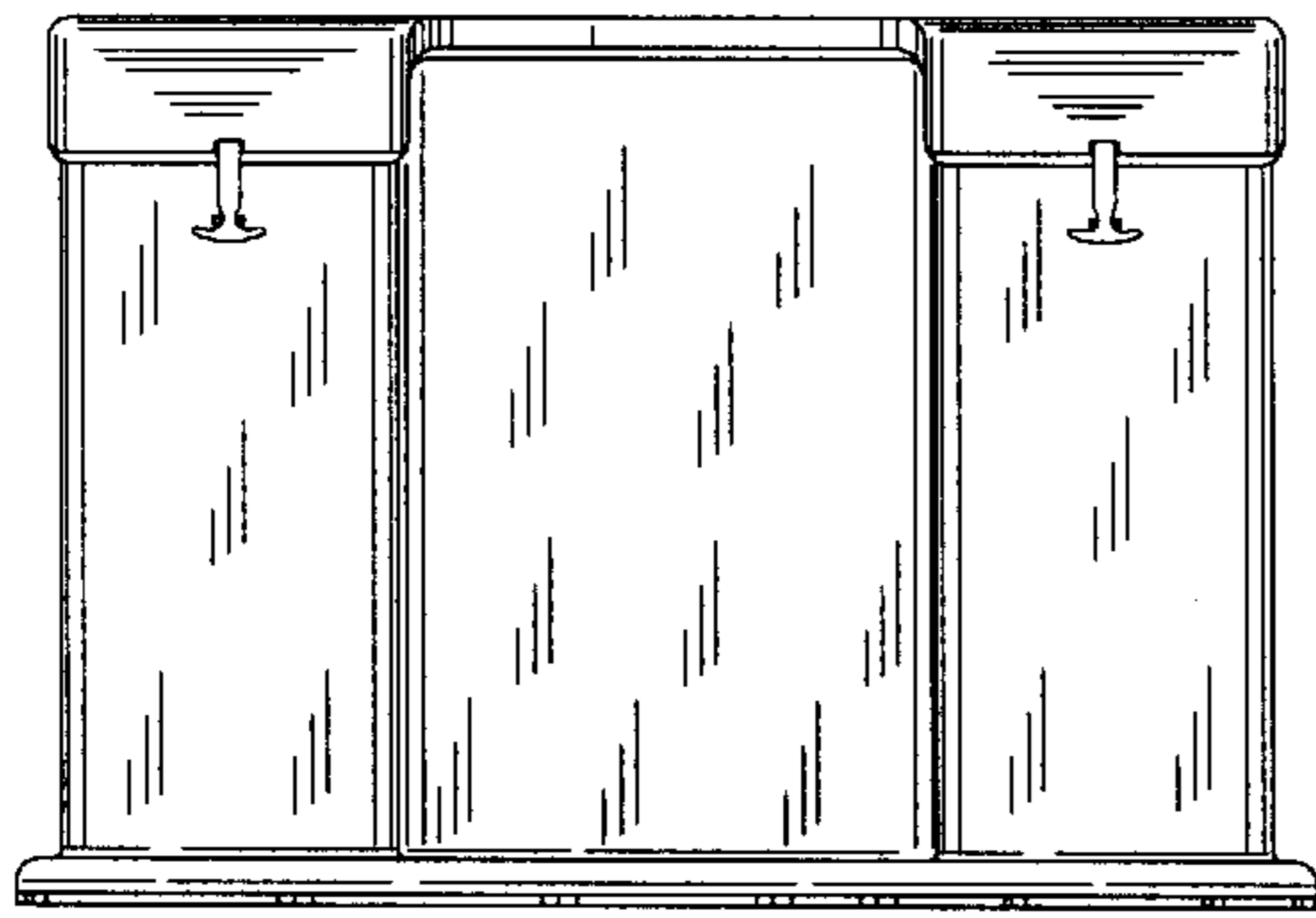


FIG. 4

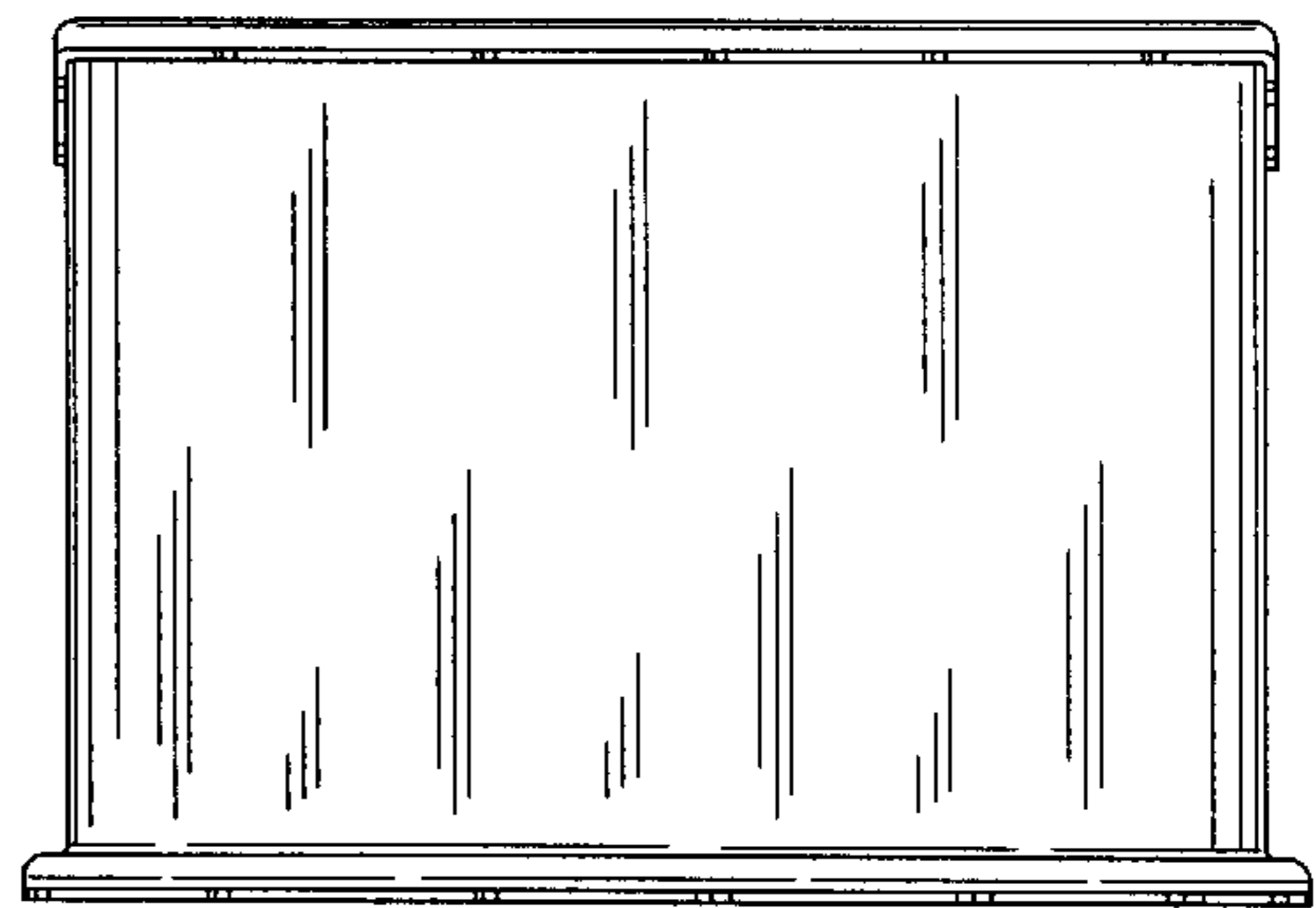


FIG. 5

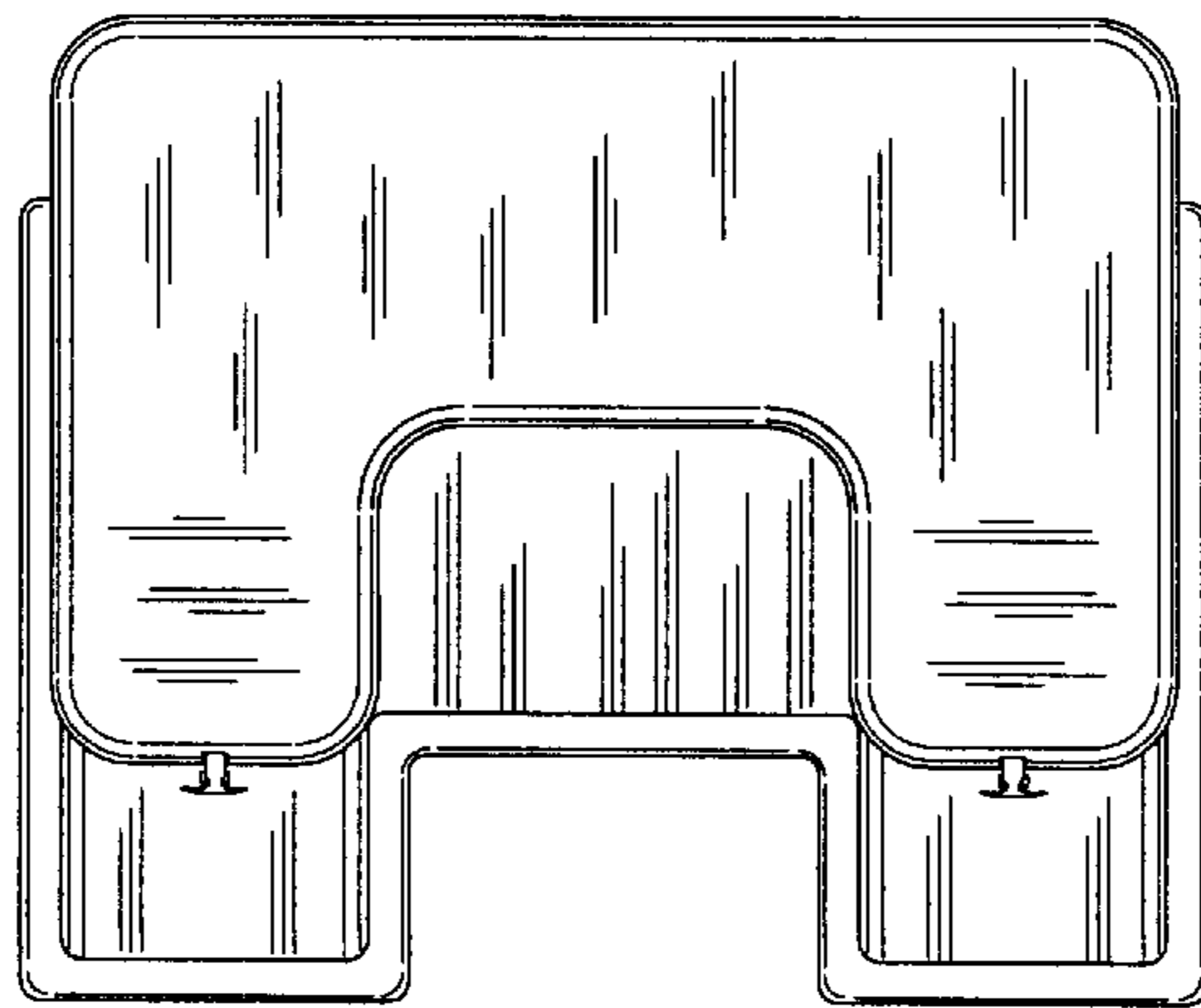


FIG. 6

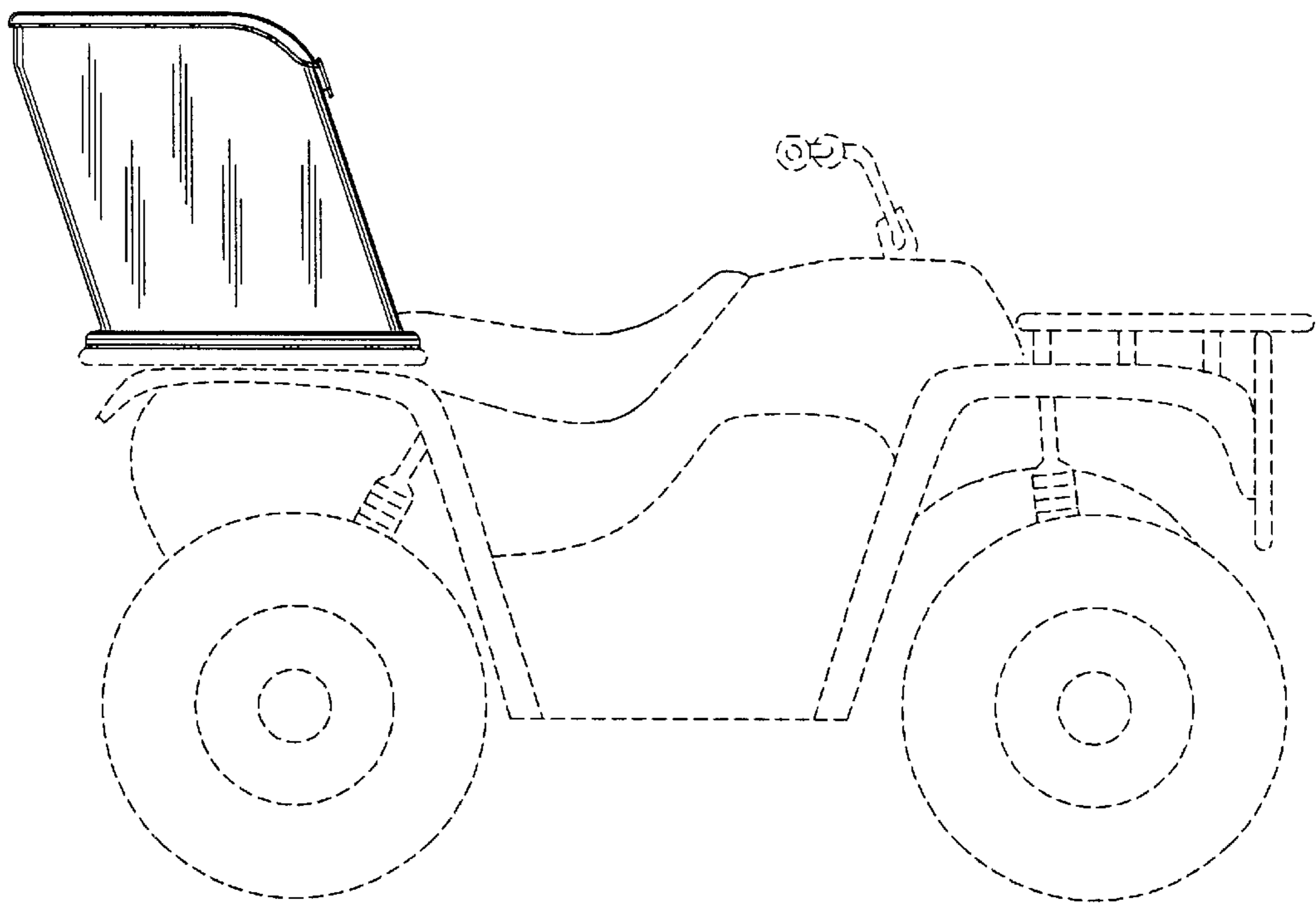


FIG. 7