



US00D481350S

(12) **United States Design Patent**  
**McCoy et al.**

(10) **Patent No.:** **US D481,350 S**

(45) **Date of Patent:** **\*\* Oct. 28, 2003**

(54) **HITCH MOUNTABLE TABLE**

(75) **Inventors:** **Richard W. McCoy**, Granger, IN (US);  
**Jason R. Moldthan**, Osceola, IN (US);  
**Katherine A. Adams**, Mishawaka, IN (US)

(73) **Assignee:** **Cequent Towing Products, Inc.**,  
Goshen, IN (US)

(\*\*) **Term:** **14 Years**

(21) **Appl. No.:** **29/145,339**

(22) **Filed:** **Jul. 20, 2001**

(51) **LOC (7) Cl.** ..... **12-16**

(52) **U.S. Cl.** ..... **D12/400; D6/406.1**

(58) **Field of Search** ..... D6/406.1, 406.2,  
D6/406.3, 406.4, 406.5, 406.6, 310, 339,  
419, 420, 429, 449, 511; D7/545, 550.1,  
554.3, 554.4, 698; D12/415, 416, 162,  
426.1, 400; D19/36, 52, 65, 75, 78, 86,  
88, 90, 91, 92, 99; 108/36, 43, 44, 49,  
129, 132; 224/42.11, 400; 248/166, 444,  
451, 460, 463; 281/145; 297/148, 153;  
312/231

(56) **References Cited**

**U.S. PATENT DOCUMENTS**

1,043,638	A	*	11/1912	Sneed	.....	108/49
1,247,990	A	*	11/1917	Nelson	.....	108/49
1,256,498	A	*	2/1918	Baker	.....	108/49
1,719,614	A	*	7/1929	McIntosh	.....	108/49
D104,500	S	*	5/1937	Moore	.....	D6/511
2,856,251	A	*	10/1958	Garrison	.....	D6/406.6
2,866,381	A	*	12/1958	Alldredge	.....	108/44
3,015,530	A	*	1/1962	Anderson	.....	108/44
3,164,109	A	*	1/1965	Atkinson	.....	108/44
3,734,239	A	*	5/1973	Martin et al.	.....	D12/400
4,008,918	A	*	2/1977	Cooper et al.	.....	297/148
4,057,125	A	*	11/1977	Kroft	.....	D12/400
D272,402	S	*	1/1984	Marrujo	.....	D6/511

D282,991	S	*	3/1986	Wellington	.....	D6/511
D305,632	S	*	1/1990	Kraklio	.....	D12/400
4,890,559	A	*	1/1990	Martin	.....	108/44
D309,065	S	*	7/1990	Huff	.....	D12/400
D380,944	S	*	7/1997	Nielsen	.....	D7/698
5,649,734	A	*	7/1997	Speis	.....	108/44
D435,495	S	*	12/2000	McCoy et al.	.....	D12/162
D445,395	S	*	7/2001	Okerlund et al.	.....	D12/400
D445,757	S	*	7/2001	Adams et al.	.....	D12/406
D446,755	S	*	8/2001	Adams et al.	.....	D12/162
D447,996	S	*	9/2001	Belinky et al.	.....	D12/406
D458,579	S	*	6/2002	Adams et al.	.....	D12/406

\* cited by examiner

*Primary Examiner*—Doris V. Coles

*Assistant Examiner*—T. Chase Nelson

(74) *Attorney, Agent, or Firm*—McDonald Hopkins Co.  
LPA

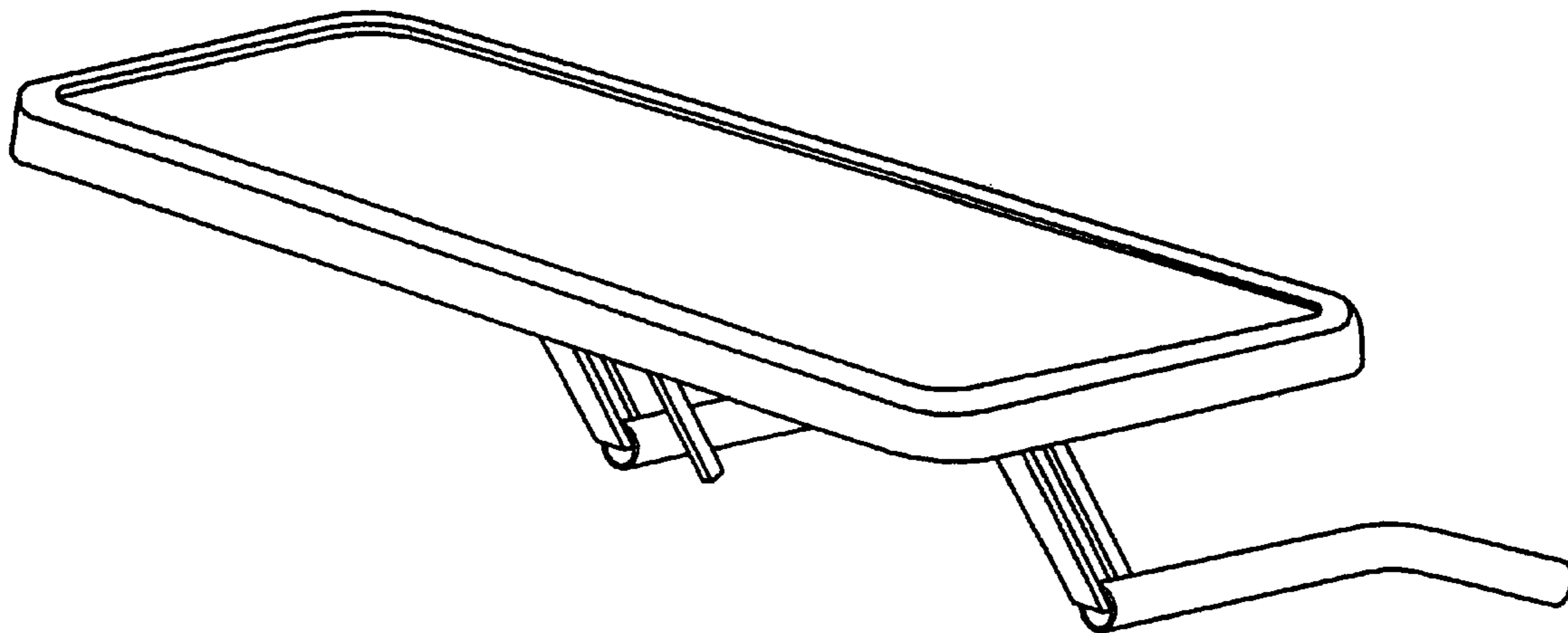
(57) **CLAIM**

The ornamental design for a hitch mountable table, as shown and described.

**DESCRIPTION**

FIG. 1 is a perspective view of the hitch mountable table showing our new design with the table in a raised position; FIG. 2 is a top plan view thereof; FIG. 3 is a rear elevational view thereof; FIG. 4 is a bottom plan view thereof; FIG. 5 is a front elevational view thereof; FIG. 6 is a left side elevational view thereof, the right side being a mirror image of the left shown; FIG. 7 is a perspective view of the hitch mountable table with the table in a lowered position; FIG. 8 is a top plan view thereof; FIG. 9 is a rear elevational view thereof; FIG. 10 is a bottom plan view thereof; FIG. 11 is a front elevational view thereof; and, FIG. 12 is a left side elevational view thereof, the right side being a mirror image of the left shown.

**1 Claim, 4 Drawing Sheets**



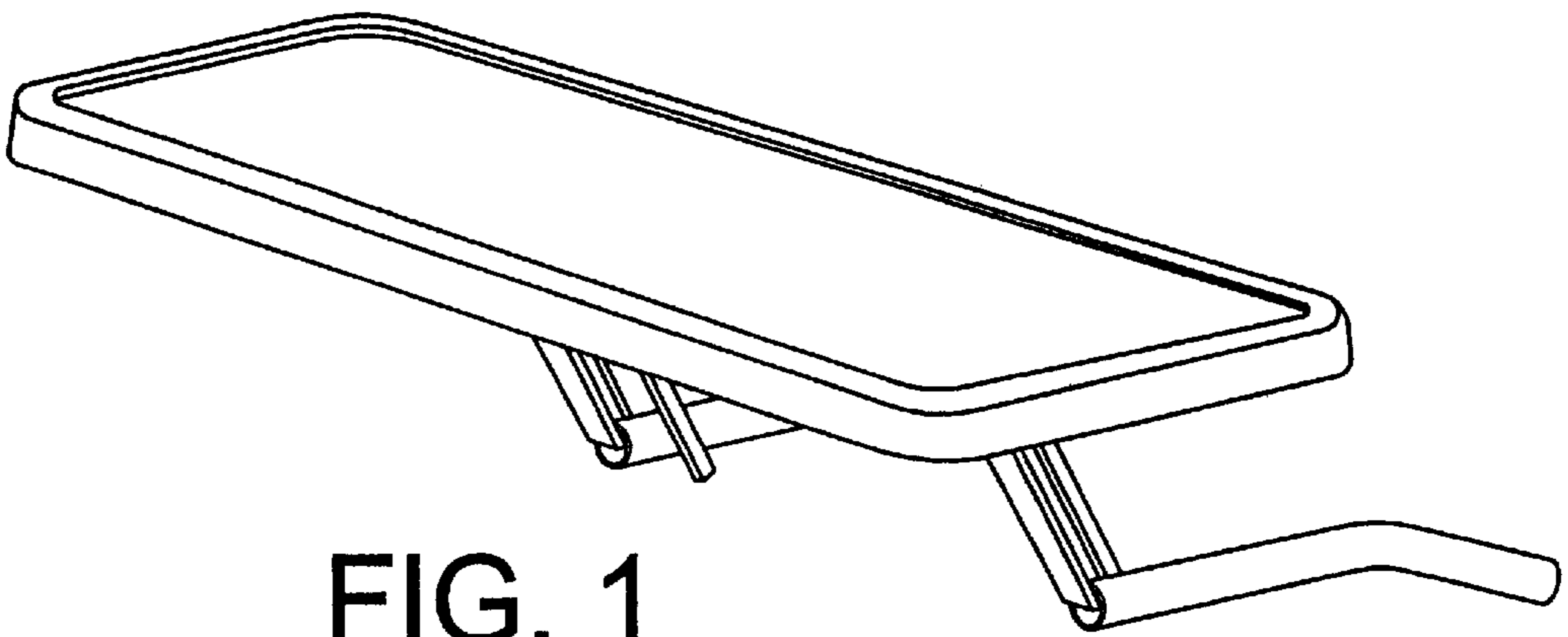


FIG. 1

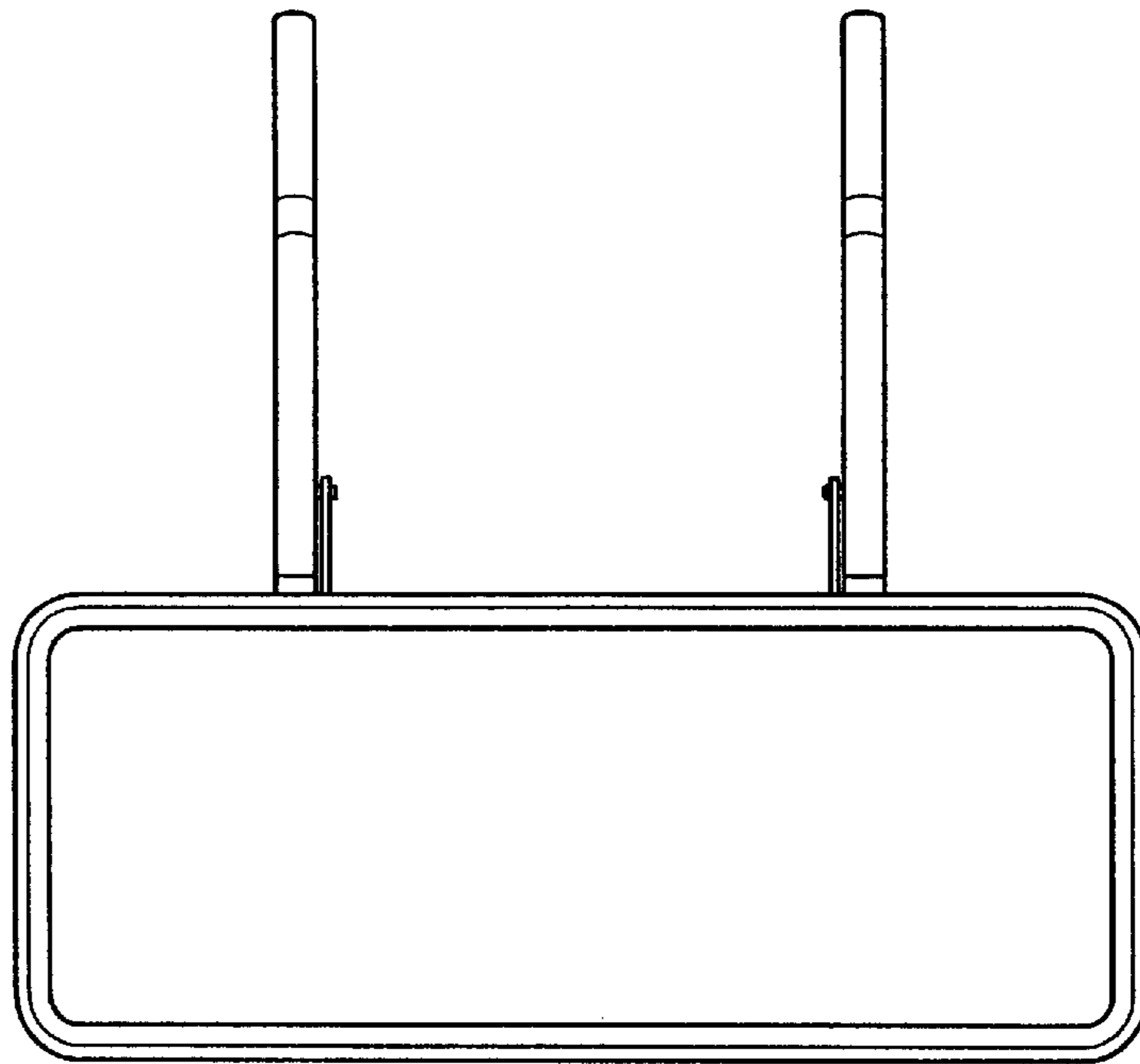


FIG. 2

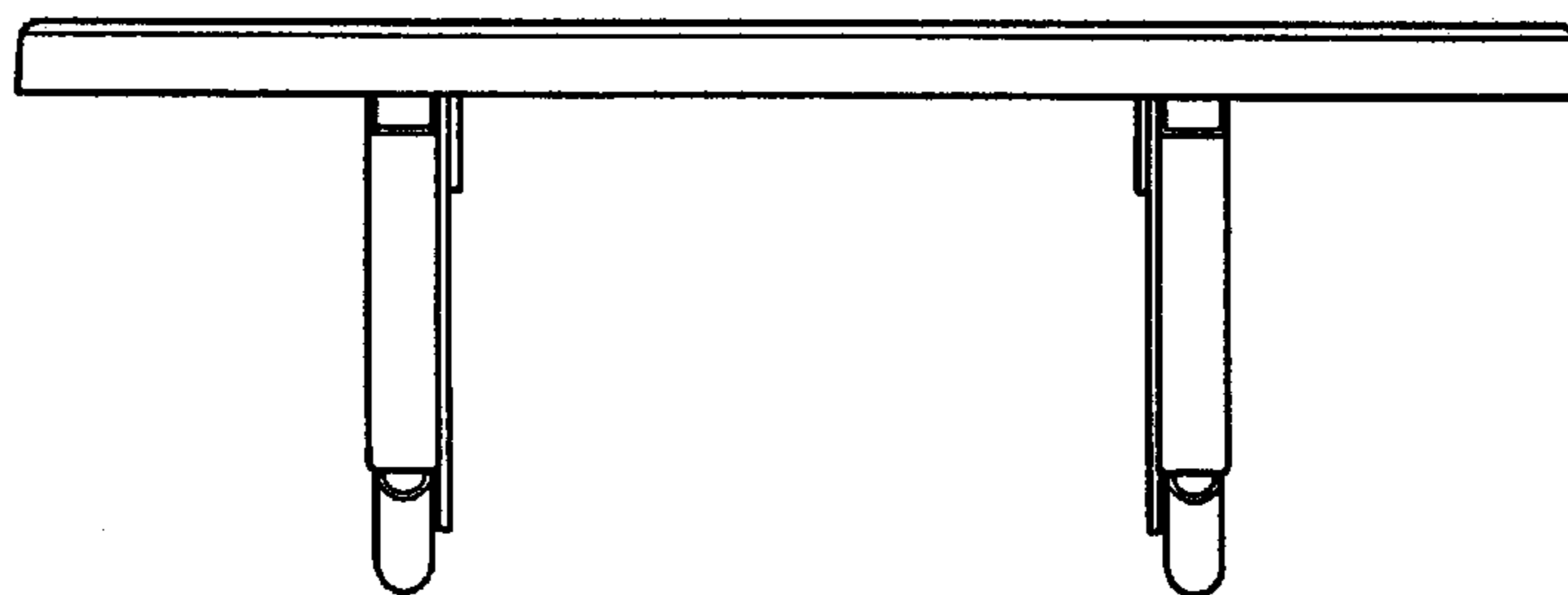


FIG. 3

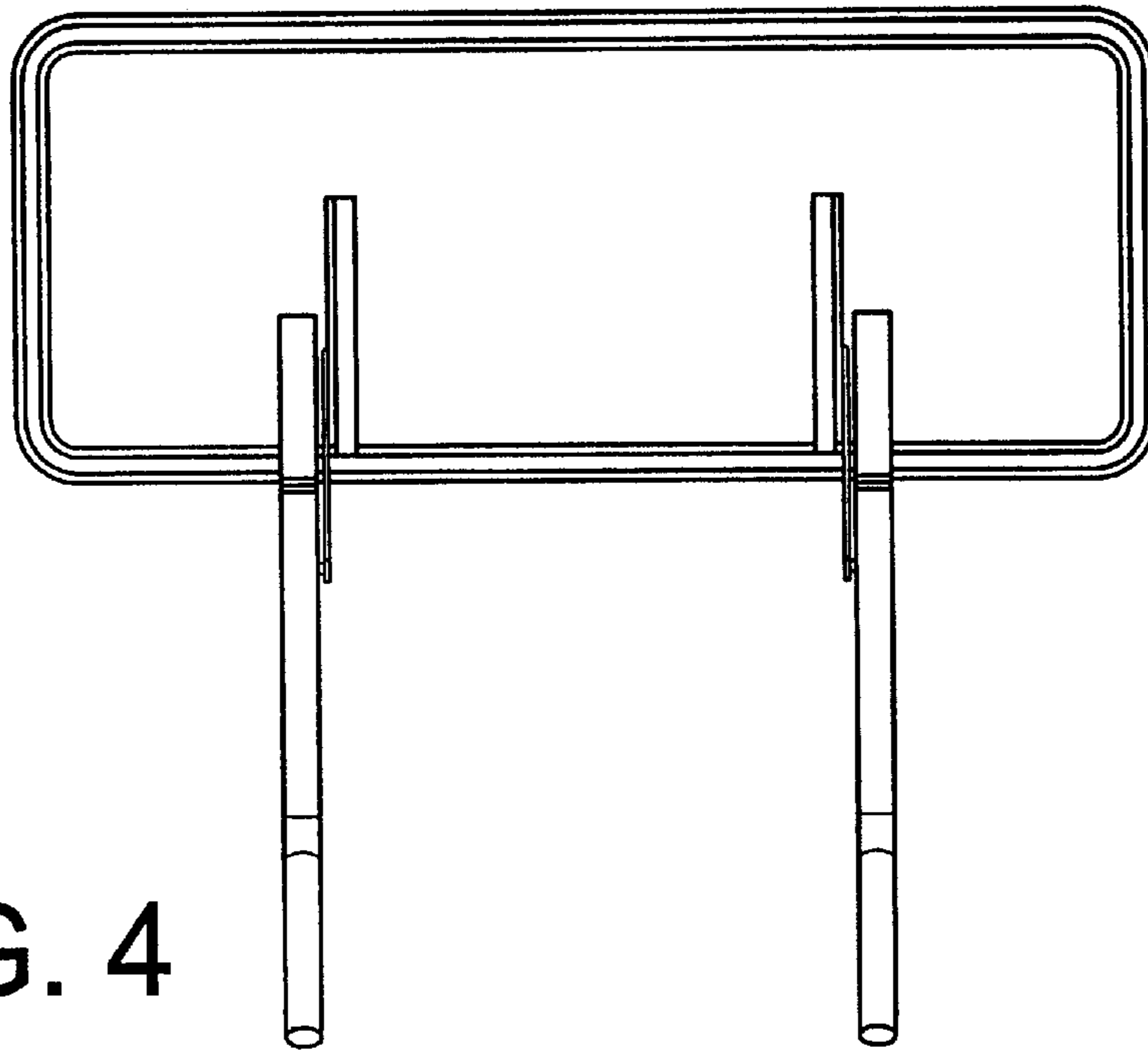


FIG. 4

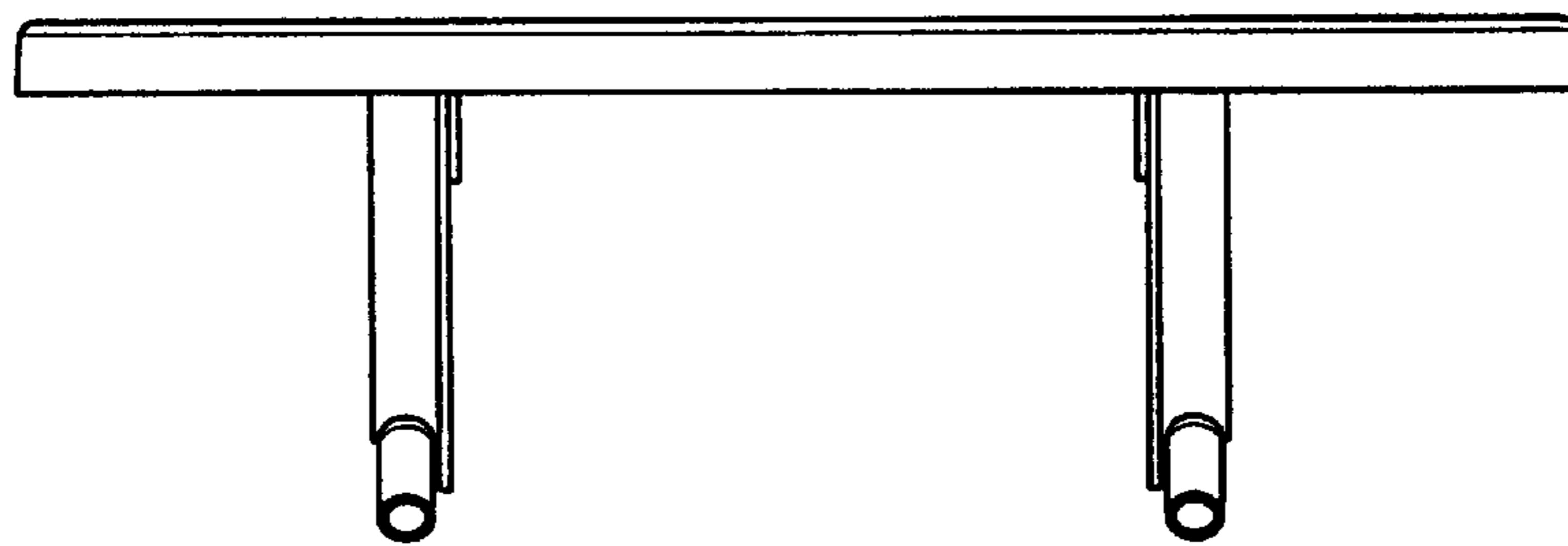


FIG. 5

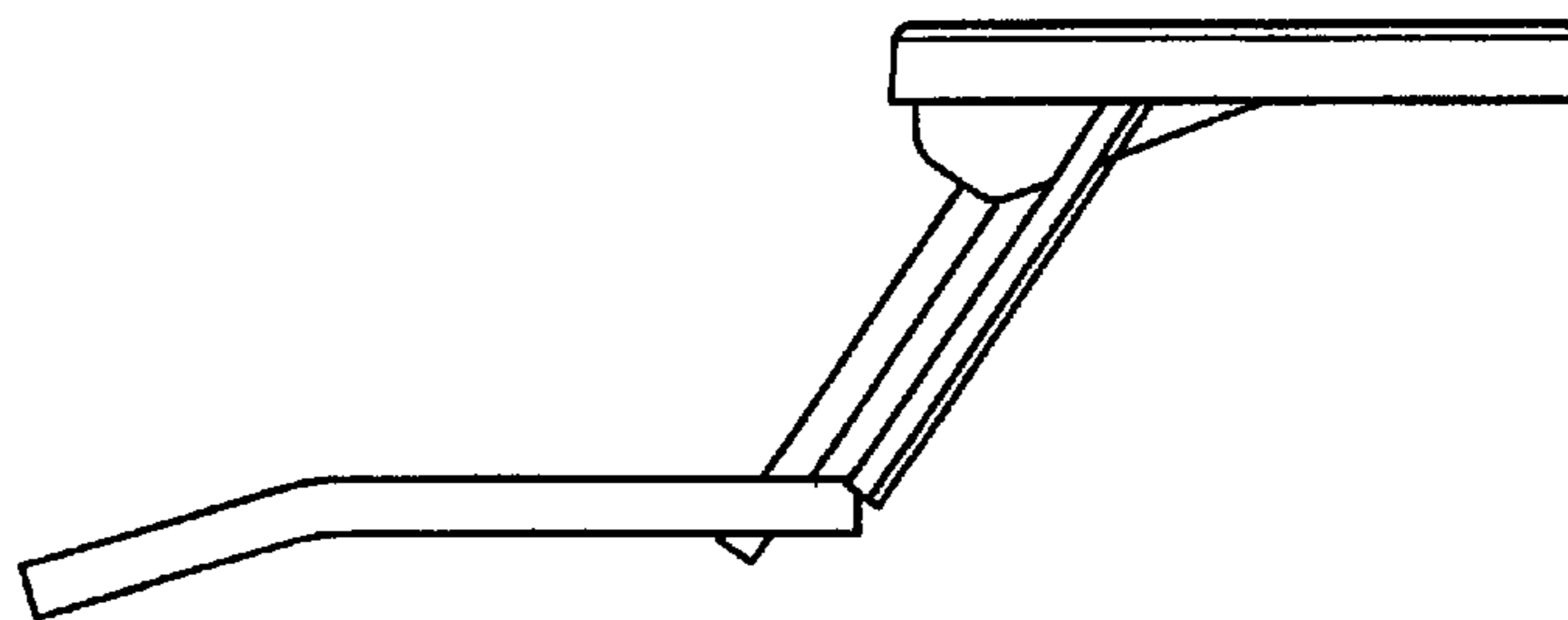


FIG. 6

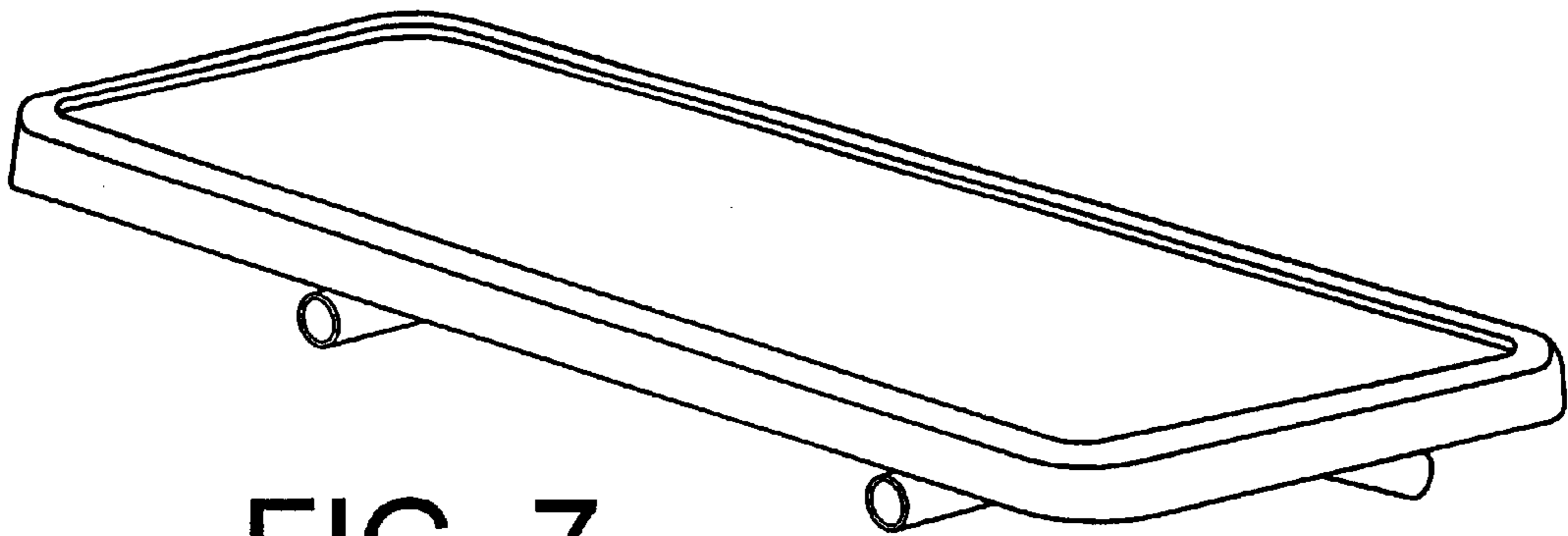


FIG. 7

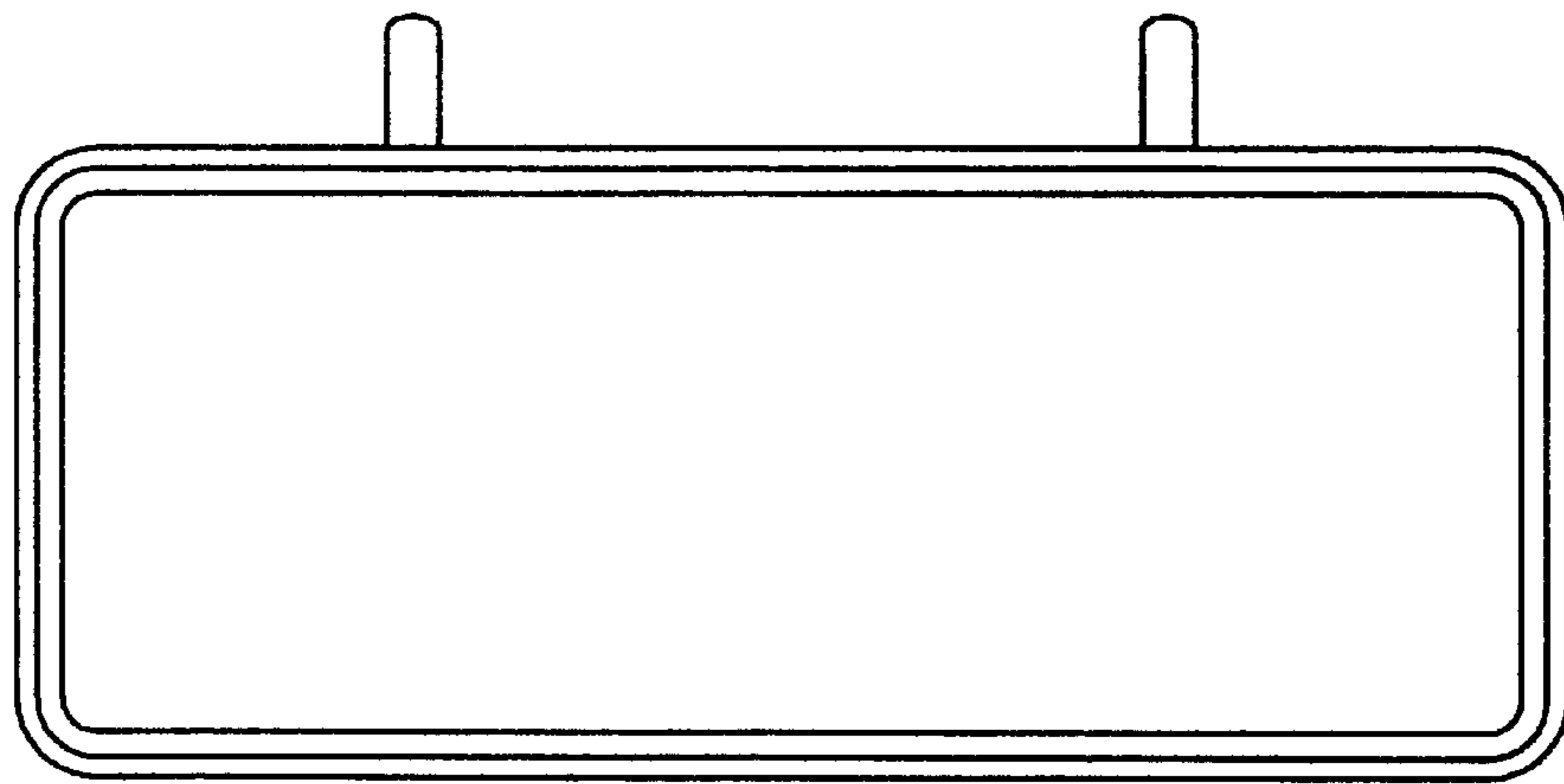


FIG. 8

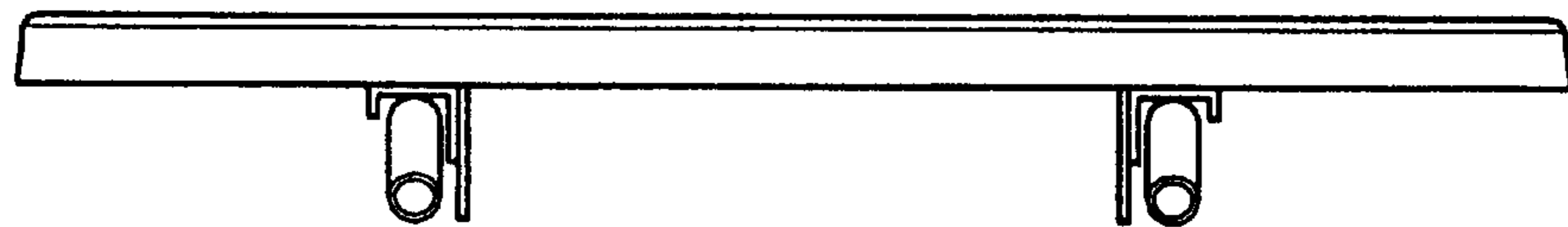


FIG. 9

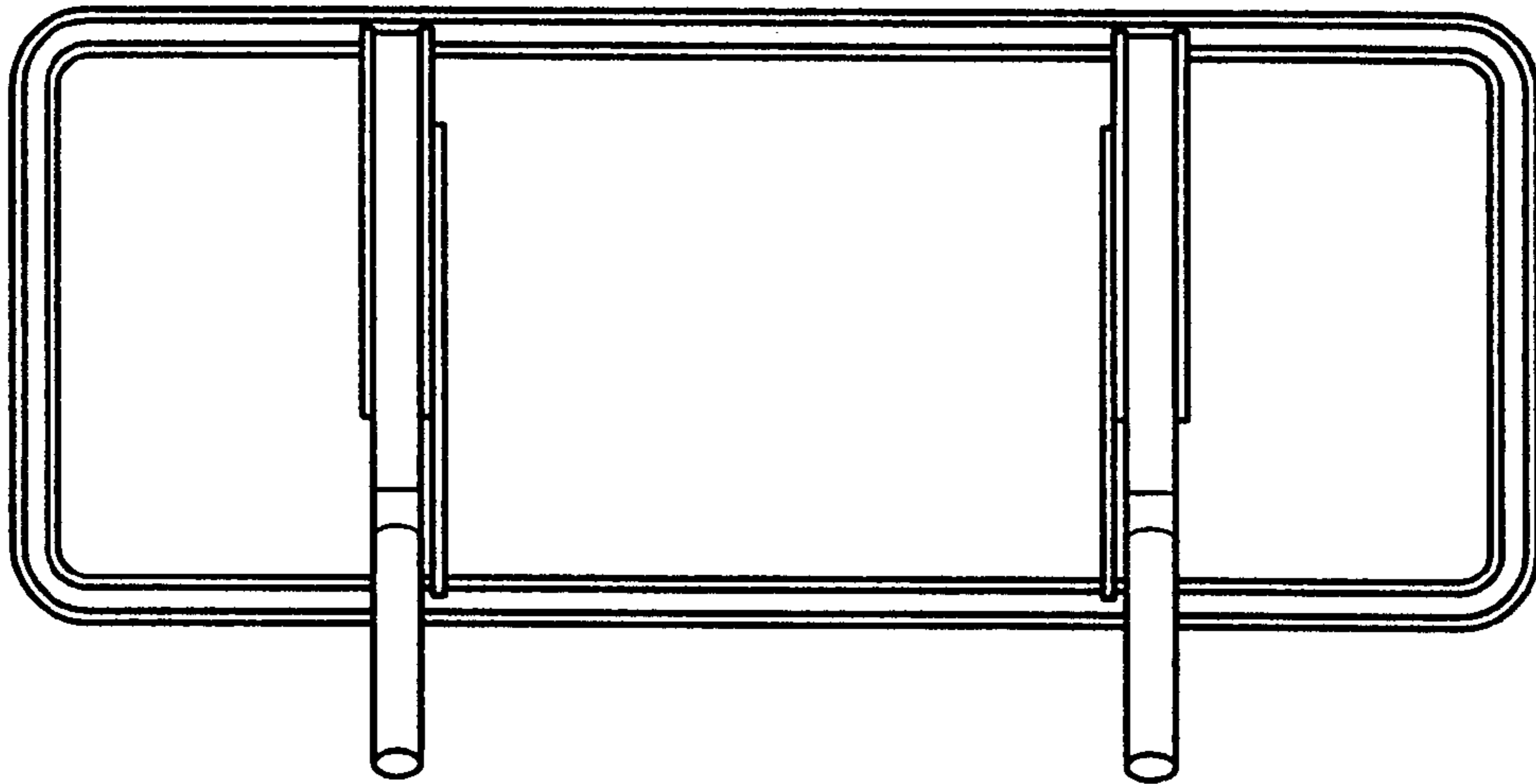


FIG. 10

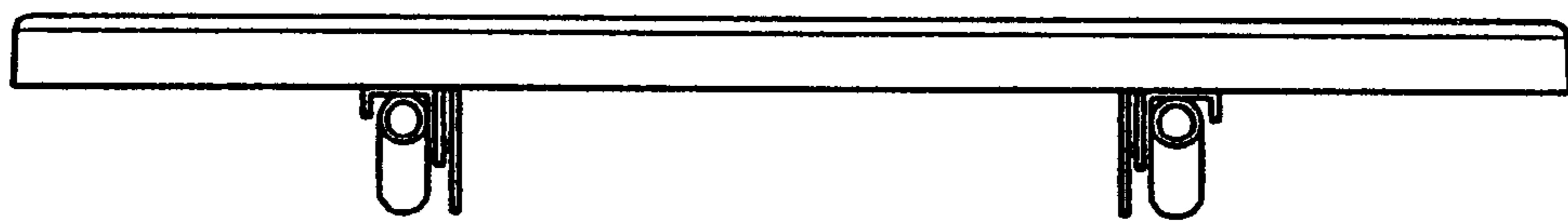


FIG. 11

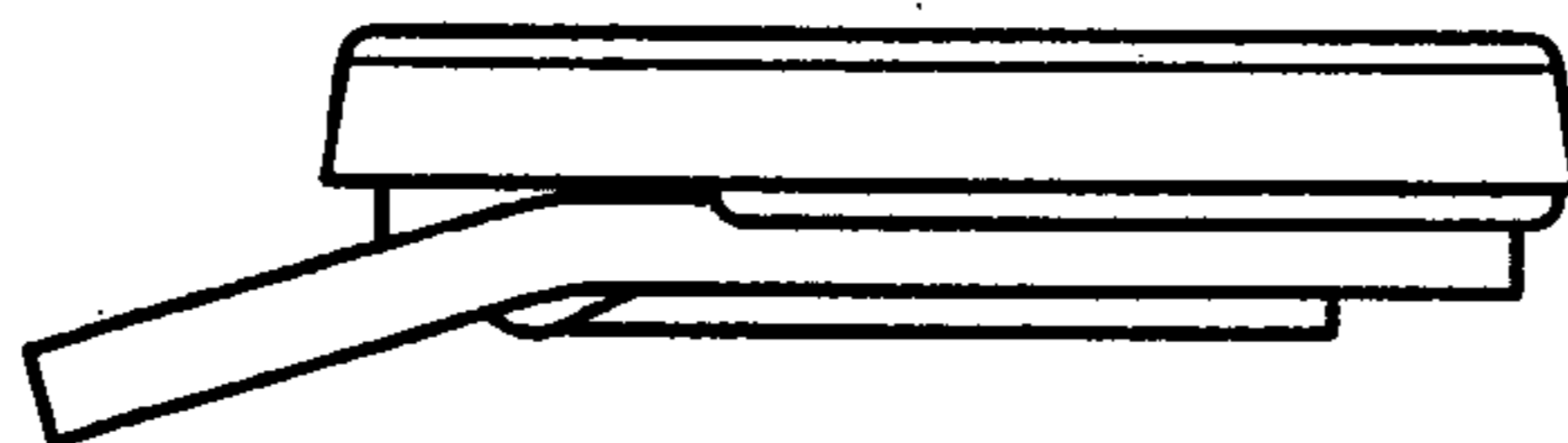


FIG. 12