



US00D481349S

(12) **United States Design Patent**
Kenngott et al.

(10) **Patent No.:** **US D481,349 S**

(45) **Date of Patent:** **** Oct. 28, 2003**

(54) **TRUCK BED COVER**

D384,020 S * 9/1997 Snyder et al. D12/203
D456,747 S * 5/2002 Louie D12/203

(76) Inventors: **Thomas M. Kenngott**, 2931 Laurel St.,
Rosamond, CA (US) 93560; **Retha J.**
Kenngott, 2931 Laurel St., Rosamond,
CA (US) 93560

* cited by examiner

Primary Examiner—Melody N. Brown

(**) Term: **14 Years**

(57) **CLAIM**

(21) Appl. No.: **29/172,667**

The ornamental design for a truck bed cover, as shown and described.

(22) Filed: **Dec. 16, 2002**

DESCRIPTION

(51) **LOC (7) Cl.** **12-06**

(52) **U.S. Cl.** **D12/221**

(58) **Field of Search** D12/221, 203,
D12/423, 98; 296/183, 39.1, 39.2, 39.3,
164, 167, 37.6

FIG. 1 is a top plan view of a truck bed cover showing my new design.

FIG. 2 is a bottom plan view of the truck bed cover.

FIG. 3 is a side elevational view of the truck bed cover.

FIG. 4 is an end elevational view of the truck bed cover; and,

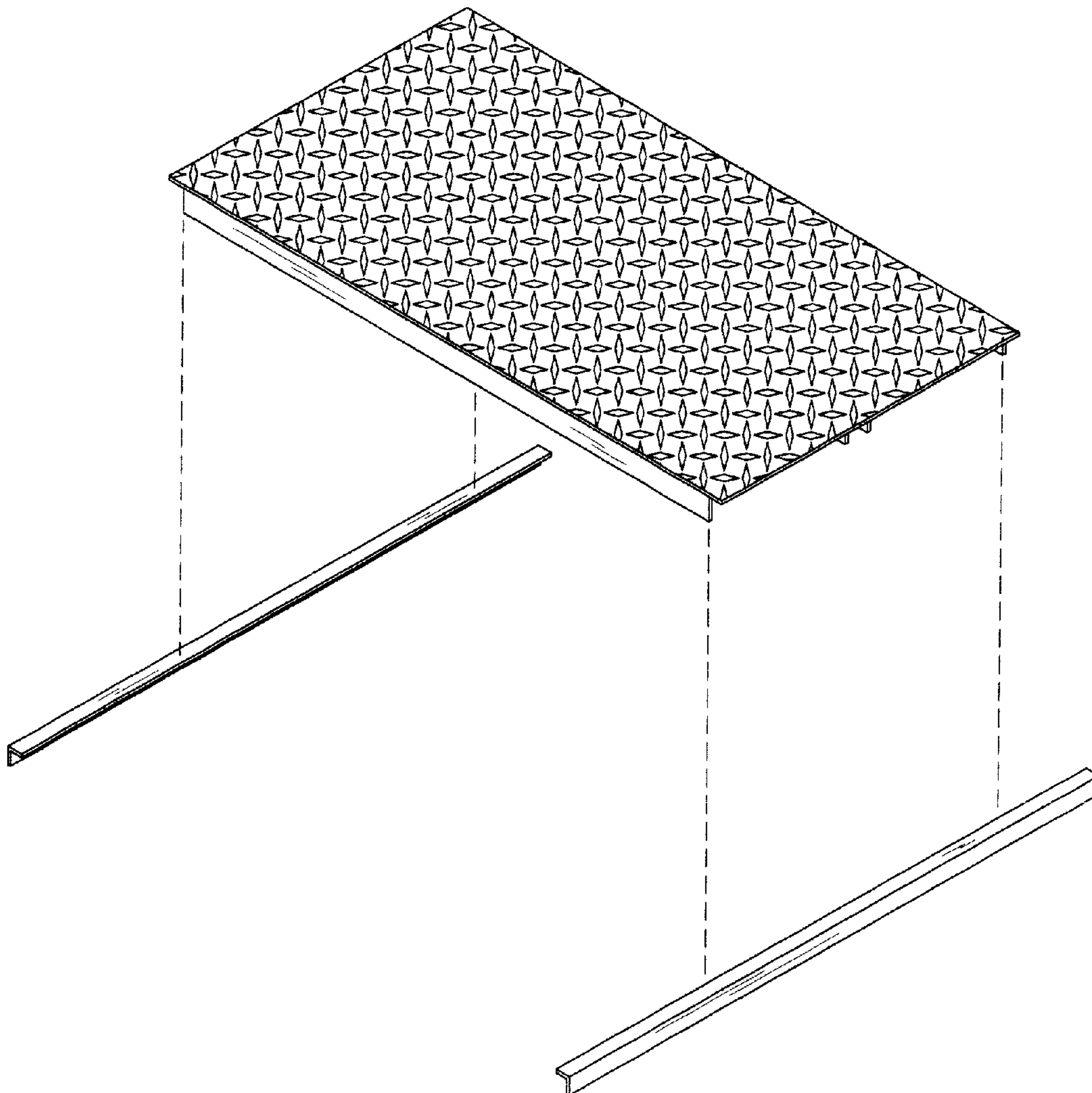
FIG. 5 is an exploded perspective view of the truck bed cover.

(56) **References Cited**

U.S. PATENT DOCUMENTS

D333,645 S * 3/1993 Tyler D12/221

1 Claim, 3 Drawing Sheets



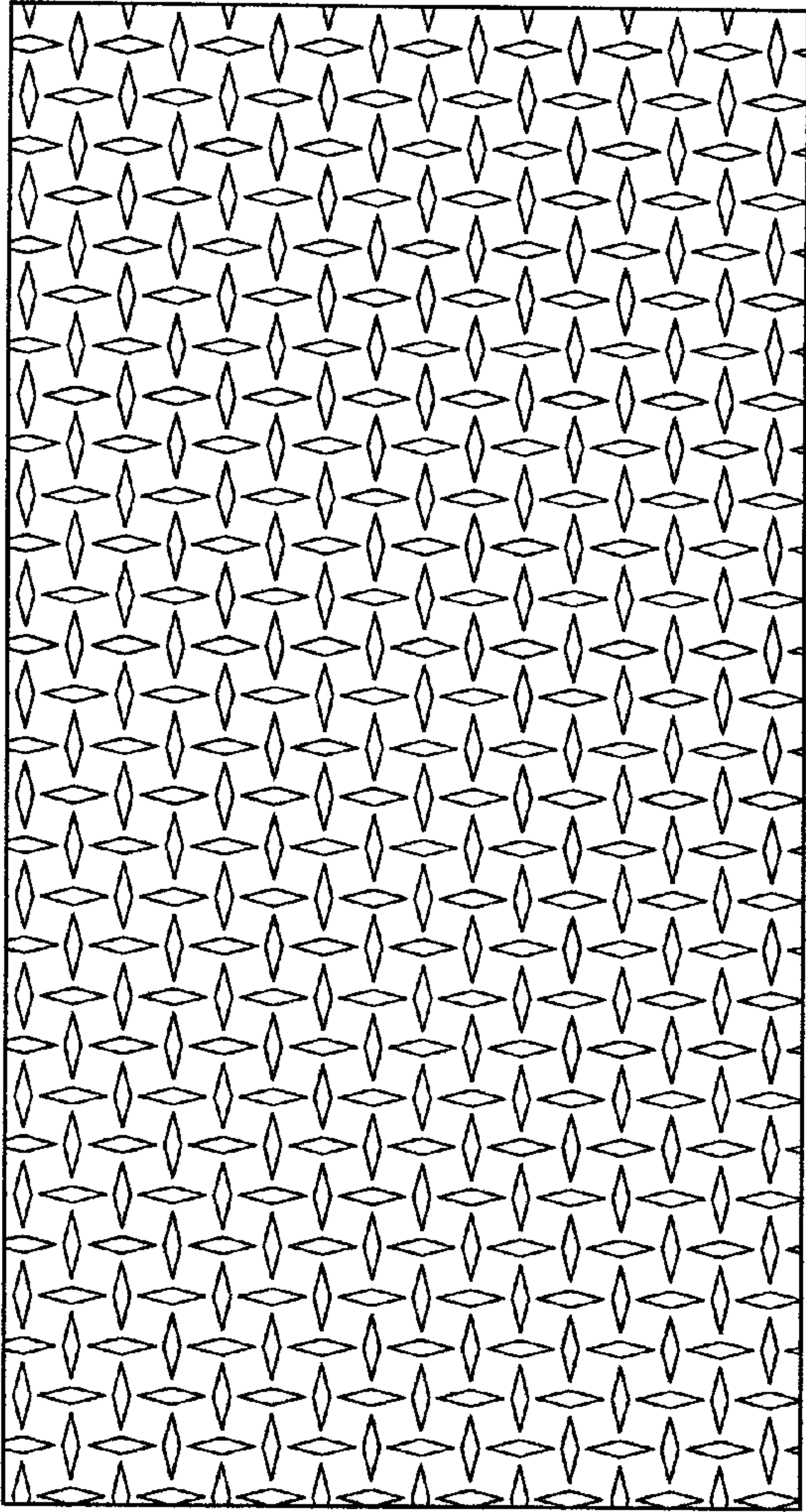


FIG. 1

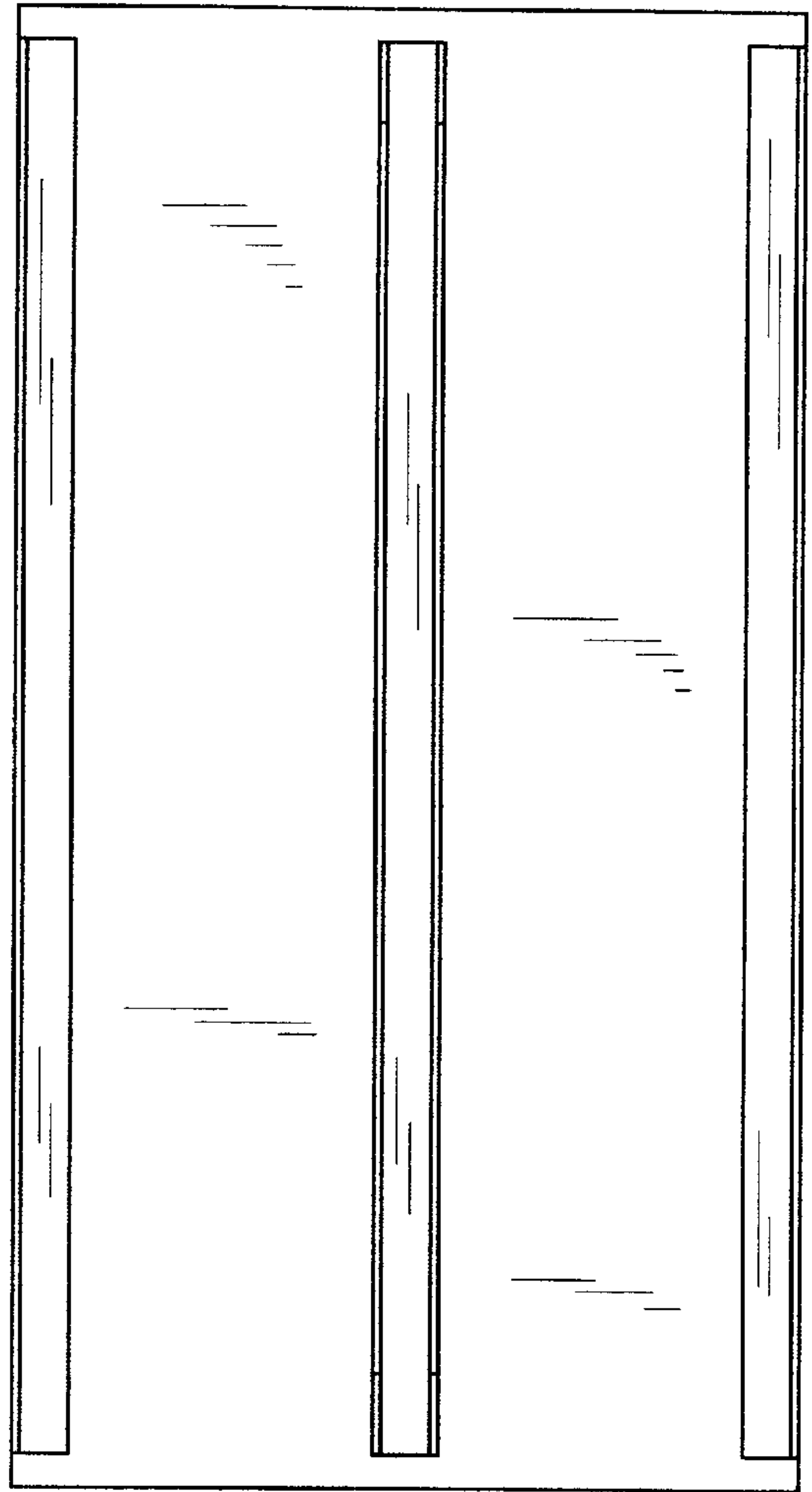


FIG. 2

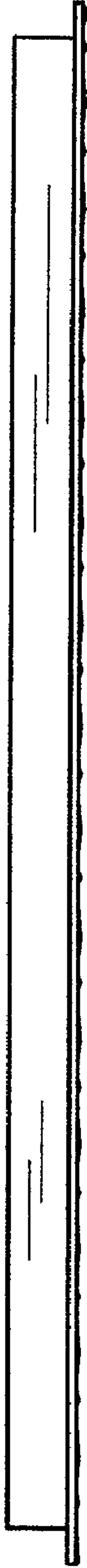


FIG. 3



FIG. 4

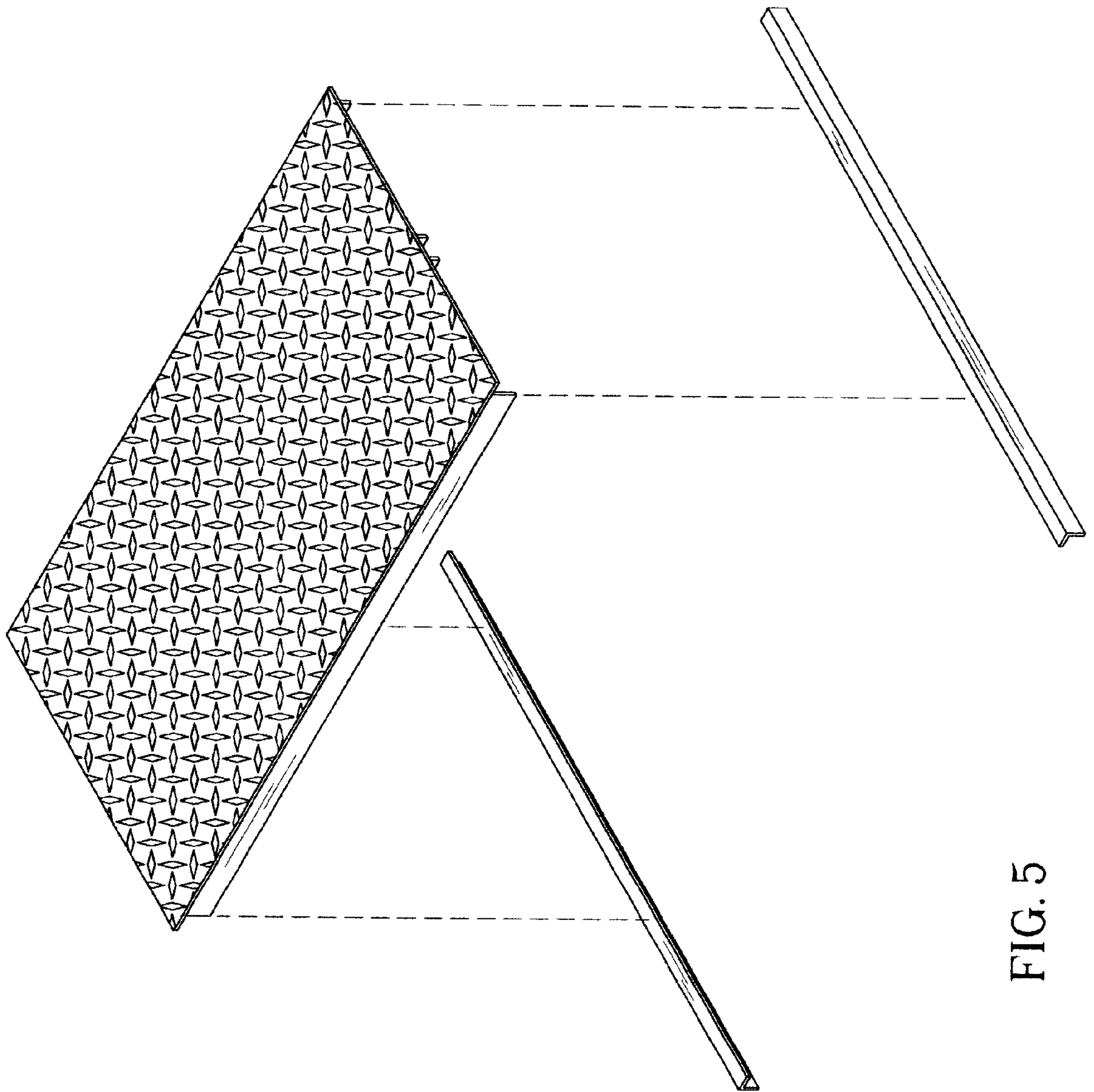


FIG. 5