



US00D481348S

(12) **United States Design Patent**
Kang

(10) **Patent No.:** **US D481,348 S**

(45) **Date of Patent:** **** Oct. 28, 2003**

(54) **WHEEL**

(75) **Inventor:** **Se Owan Kang**, Torrance, CA (US)

(73) **Assignee:** **Rimtech Inc.**, Gardena, CA (US)

(**) **Term:** **14 Years**

(21) **Appl. No.:** **29/186,027**

(22) **Filed:** **Jul. 8, 2003**

(51) **LOC (7) Cl.** **12-16**

(52) **U.S. Cl.** **D12/211**

(58) **Field of Search** D12/204, 205,
D12/207-212; 301/37.101, 64.101, 65

(56) **References Cited**

U.S. PATENT DOCUMENTS

D403,289 S	12/1998	Watanabe	D12/209
D418,794 S	1/2000	Chung	D12/209
D423,442 S	4/2000	Hussaini et al.	D12/209
D433,373 S	11/2000	Hussaini et al.	D12/209
D433,375 S	11/2000	Fitzgerald	D12/209
D452,209 S	* 12/2001	Chung	D12/209
D455,703 S	* 4/2002	Foose	D12/211
D464,924 S	* 10/2002	Singer	D12/211

D466,462 S	* 12/2002	Lee	D12/209
D467,212 S	* 12/2002	Noriega	D12/209
D467,857 S	* 12/2002	Chung	D12/209
D469,049 S	1/2003	Kataoka	D12/209
D469,728 S	2/2003	Kataoka	D12/209
D471,499 S	* 3/2003	Cahyono	D12/209
D471,500 S	* 3/2003	Kataoka	D12/209
D475,961 S	* 6/2003	Pfeiffer et al.	D12/211
D477,265 S	* 7/2003	Chung	D12/211

* cited by examiner

Primary Examiner—Stacia Cadmus

(74) *Attorney, Agent, or Firm*—Park & Sutton LLP; John K. Park

(57) **CLAIM**

The ornamental design for a wheel, as shown and described.

DESCRIPTION

FIG. 1 is a perspective view of a wheel showing my new design; and,
FIG. 2 is a front elevational view of FIG. 1.
The broken line showing of environment is for illustrative purposes only and forms no part of the claimed design.

1 Claim, 2 Drawing Sheets

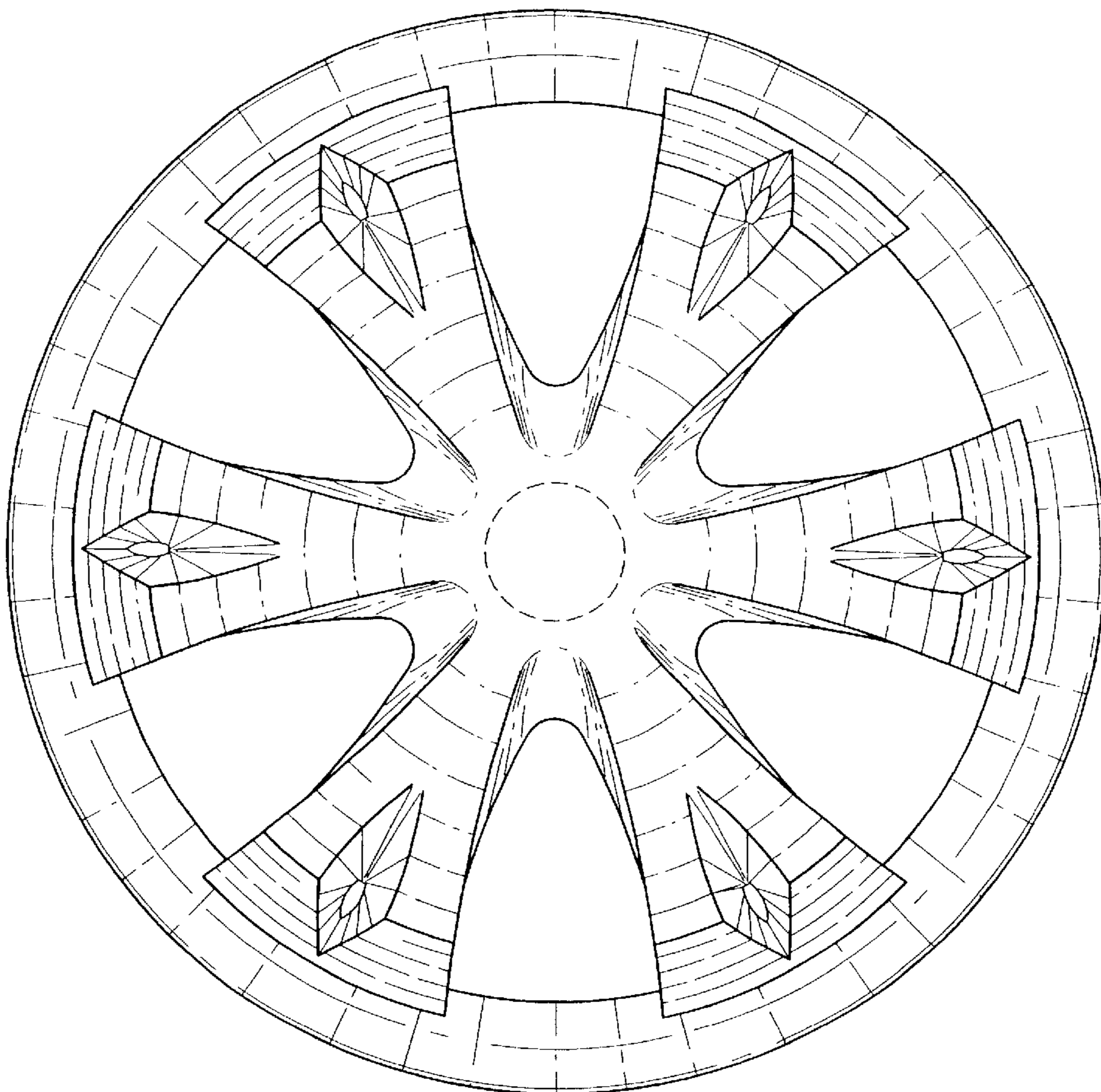


Fig. 1

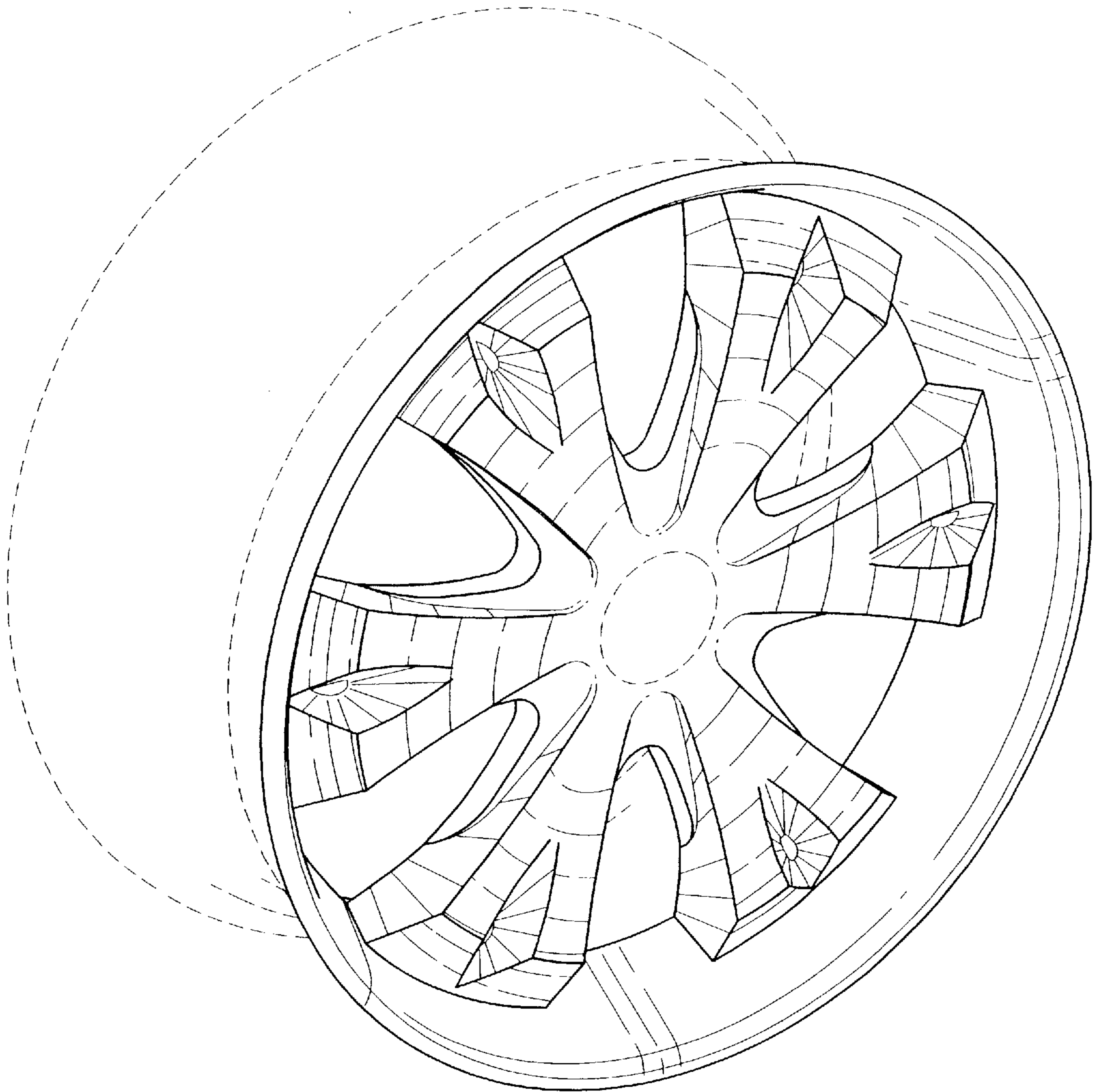


Fig. 2

