



US00D481344S

(12) **United States Design Patent**
Mattin et al.

(10) **Patent No.:** **US D481,344 S**

(45) **Date of Patent:** **** Oct. 28, 2003**

(54) **FRONT FACE OF A VEHICLE WHEEL**

(75) Inventors: **Stephen Mattin**, Sindelfingen (DE);
Ulrich Brinkmann, Stuttgart (DE)

(73) Assignee: **DaimlerChrysler AG**, Stuttgart (DE)

(**) Term: **14 Years**

(21) Appl. No.: **29/150,782**

(22) Filed: **Nov. 30, 2001**

(51) **LOC (7) Cl.** **12-16**

(52) **U.S. Cl.** **D12/211**

(58) **Field of Search** D12/204-211;
301/37.101, 64.101, 65

(56) **References Cited**

U.S. PATENT DOCUMENTS

D208,543 S	*	9/1967	Halibrand	D12/211
D391,216 S	*	2/1998	Bollmann et al.	D12/209
D433,987 S	*	11/2000	Couzyn et al.	D12/211
D448,712 S	*	10/2001	Laengerer	D12/209
D452,838 S	*	1/2002	Hieke	D12/209
D453,492 S	*	2/2002	Laengerer	D12/209

D454,825 S	*	3/2002	Amatino	D12/211
D455,696 S	*	4/2002	Foose	D12/209
D464,924 S	*	10/2002	Singer	D12/211
D466,069 S	*	11/2002	Kataoka	D12/211
D466,466 S	*	12/2002	Laengerer	D12/211
D470,449 S	*	2/2003	Bernoni	D12/211
D471,852 S	*	3/2003	Pfeiffer et al.	D12/211

* cited by examiner

Primary Examiner—Stacia Cadmus

(74) *Attorney, Agent, or Firm*—Crowell & Moring LLP

(57) **CLAIM**

The ornamental design for a front face of a vehicle wheel, as shown and described.

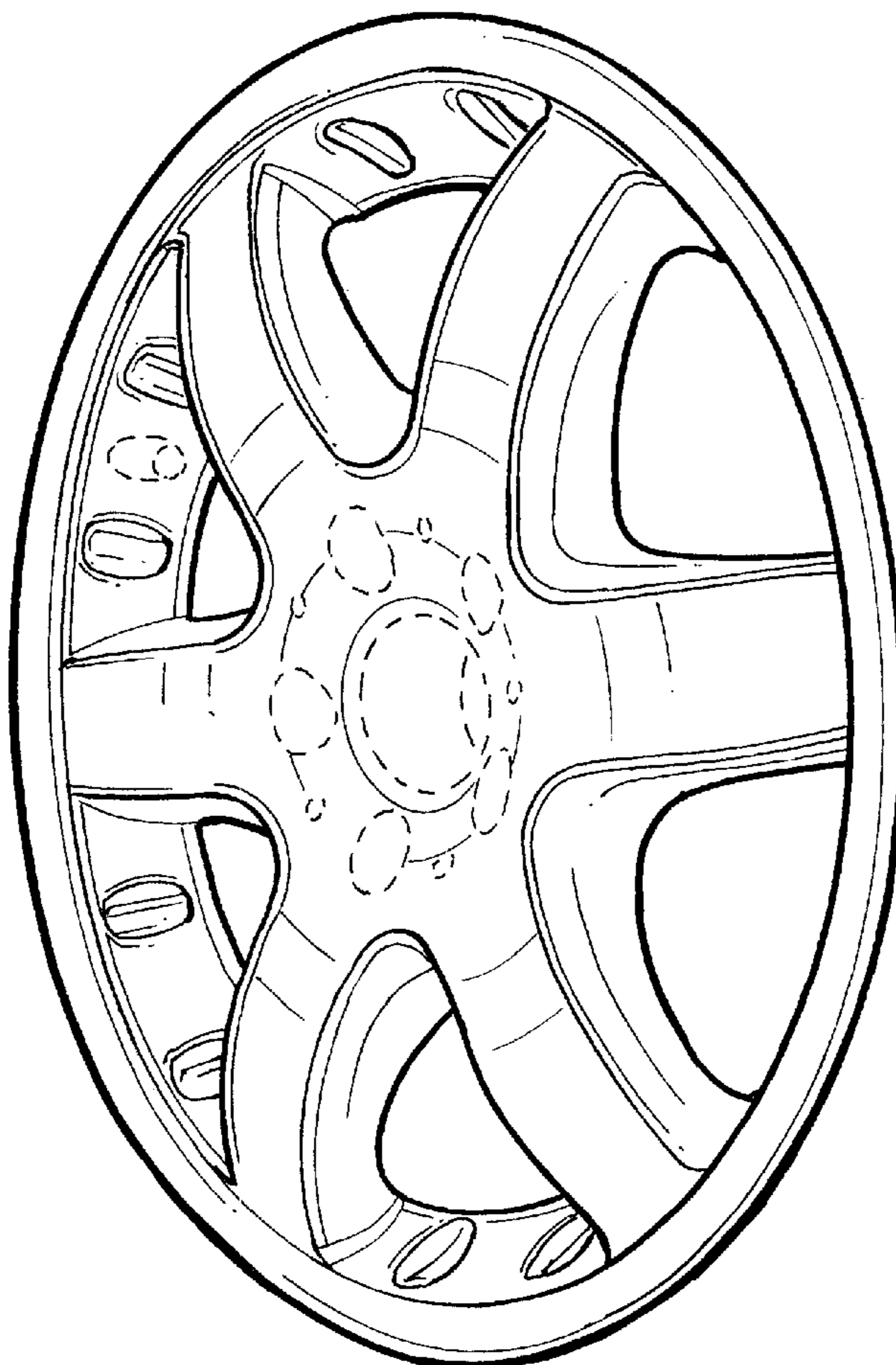
DESCRIPTION

FIG. 1 is a front view of a front face of a vehicle wheel according to our novel design; and,

FIG. 2 is a perspective view of the front face of a vehicle wheel according to our novel design.

The dash lines included depict environment and are not part of the claimed design.

1 Claim, 1 Drawing Sheet



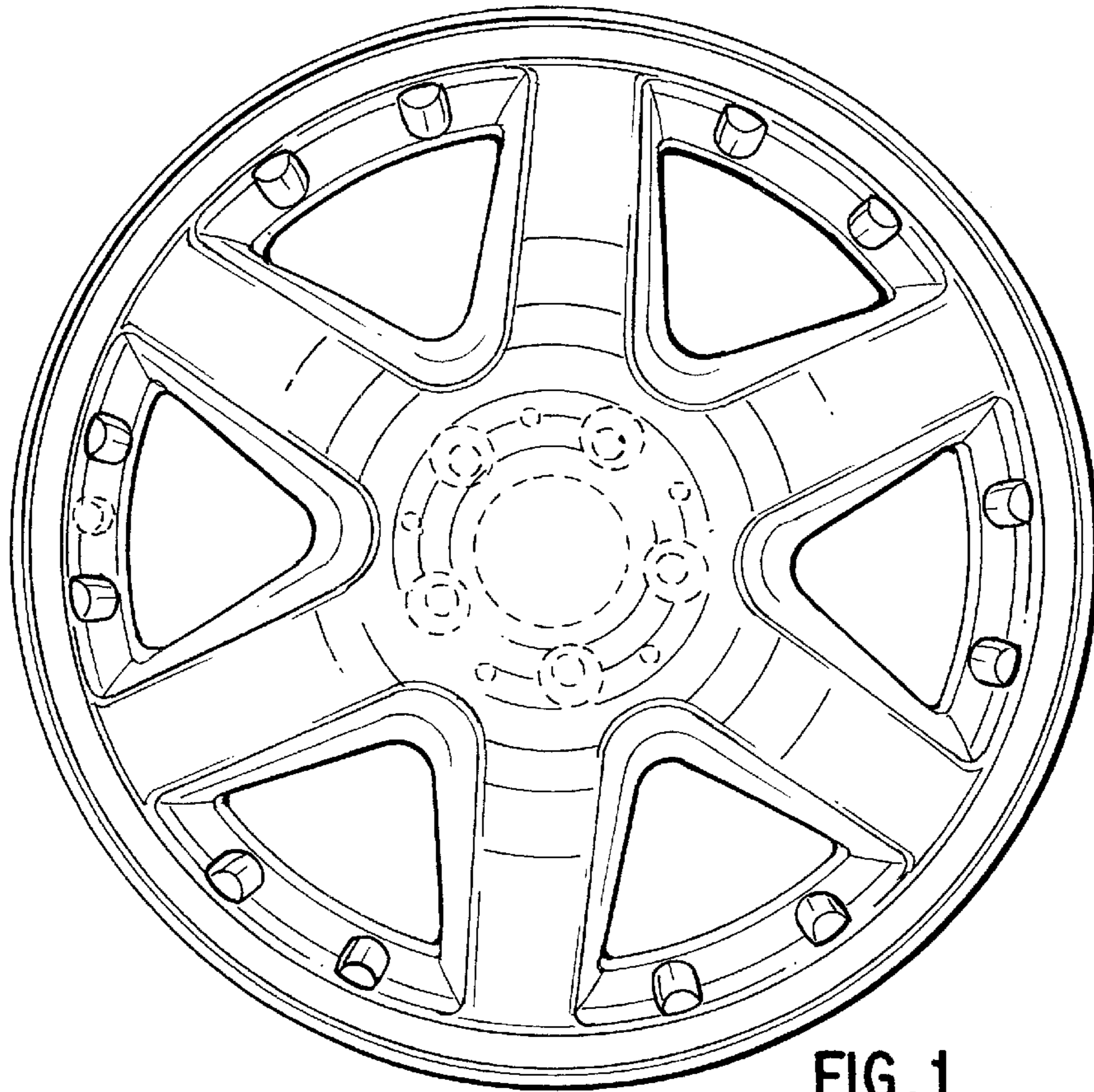


FIG. 1

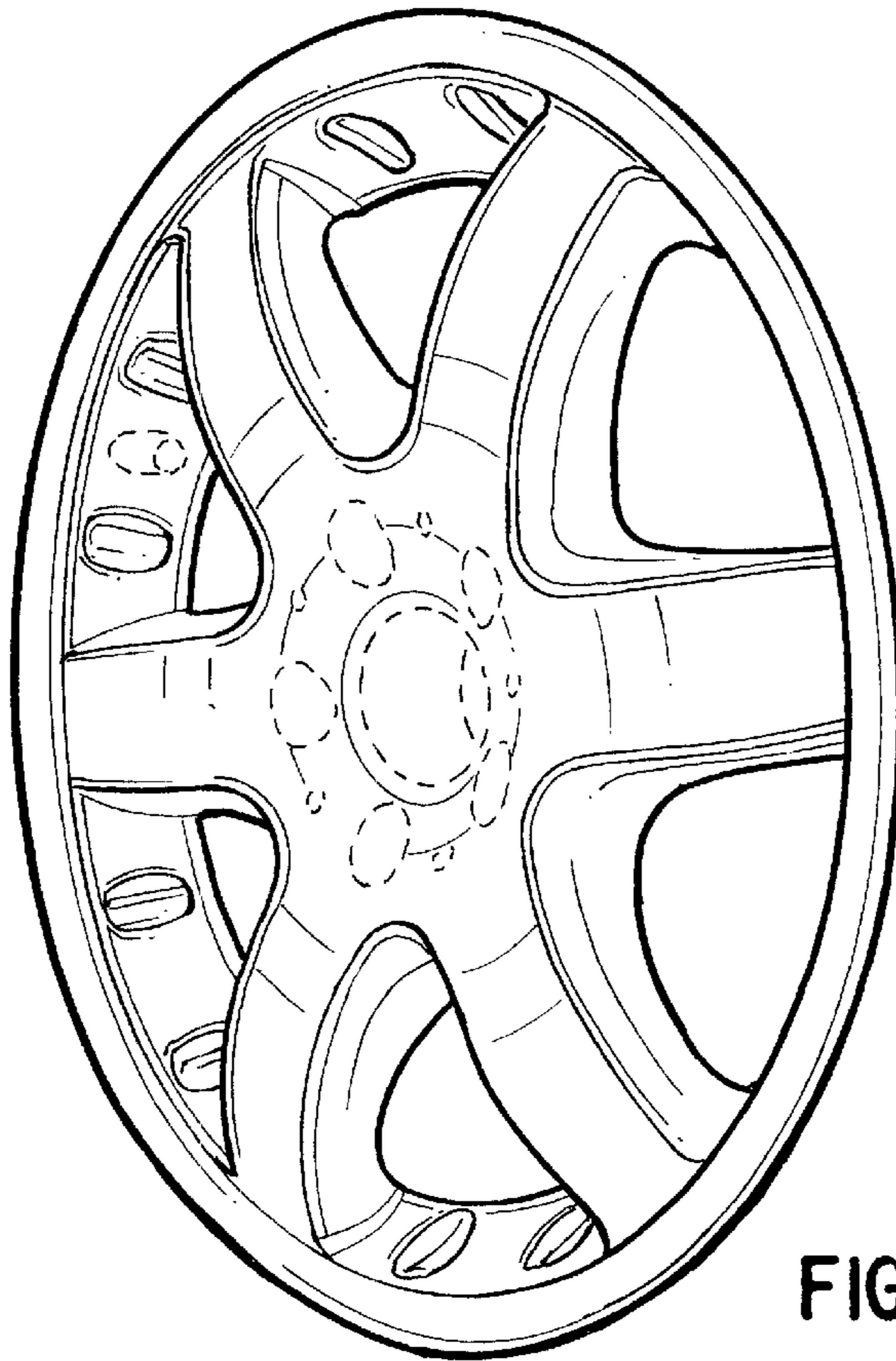


FIG. 2