



US00D481343S

(12) **United States Design Patent**  
**Kang**

(10) **Patent No.:** **US D481,343 S**

(45) **Date of Patent:** **\*\* Oct. 28, 2003**

(54) **WHEEL**

(75) **Inventor:** **Se Owan Kang**, Torrance, CA (US)

(73) **Assignee:** **Rimtech Inc.**, Gardena, CA (US)

(\*\*) **Term:** **14 Years**

(21) **Appl. No.:** **29/186,028**

(22) **Filed:** **Jul. 8, 2003**

(51) **LOC (7) Cl.** ..... **12-16**

(52) **U.S. Cl.** ..... **D12/209**

(58) **Field of Search** ..... D12/204, 205,  
D12/207-212; 301/37.101, 64.101, 65

(56) **References Cited**

**U.S. PATENT DOCUMENTS**

D403,289 S	*	12/1998	Watanabe	.....	D12/209
D418,794 S	*	1/2000	Chung	.....	D12/209
D423,442 S	*	4/2000	Hussaini et al.	.....	D12/209
D433,373 S	*	11/2000	Hussaini et al.	.....	D12/209
D433,375 S	*	11/2000	Fitzgerald	.....	D12/209
D454,528 S	*	3/2002	Brown et al.	.....	D12/209
D455,699 S	*	4/2002	Chung	.....	D12/209
D458,207 S	*	6/2002	Hale, Jr.	.....	D12/209

D464,306 S	*	10/2002	Chung	.....	D12/209
D466,064 S	*	11/2002	Lee	.....	D12/209
D466,065 S	*	11/2002	Lee	.....	D12/209
D466,855 S	*	12/2002	Hodges	.....	D12/211
D469,049 S	*	1/2003	Kataoka	.....	D12/209
D469,728 S	*	2/2003	Kataoka	.....	D12/209
D470,812 S	*	2/2003	Chu	.....	D12/211
D477,267 S	*	7/2003	Chung	.....	D12/211
D477,557 S	*	7/2003	Iacovelli et al.	.....	D12/211
D478,031 S	*	8/2003	Brown et al.	.....	D12/211

\* cited by examiner

*Primary Examiner*—Stacia Cadmus

(74) *Attorney, Agent, or Firm*—Park & Sutton LLP; John K. Park

(57) **CLAIM**

The ornamental design for a wheel, as shown and described.

**DESCRIPTION**

FIG. 1 is a perspective view of a wheel showing my new design; and, FIG. 2 is a front elevational view of FIG. 1. The broken line showing of environment is for illustrative purposes only and forms no part of the claimed design.

**1 Claim, 2 Drawing Sheets**

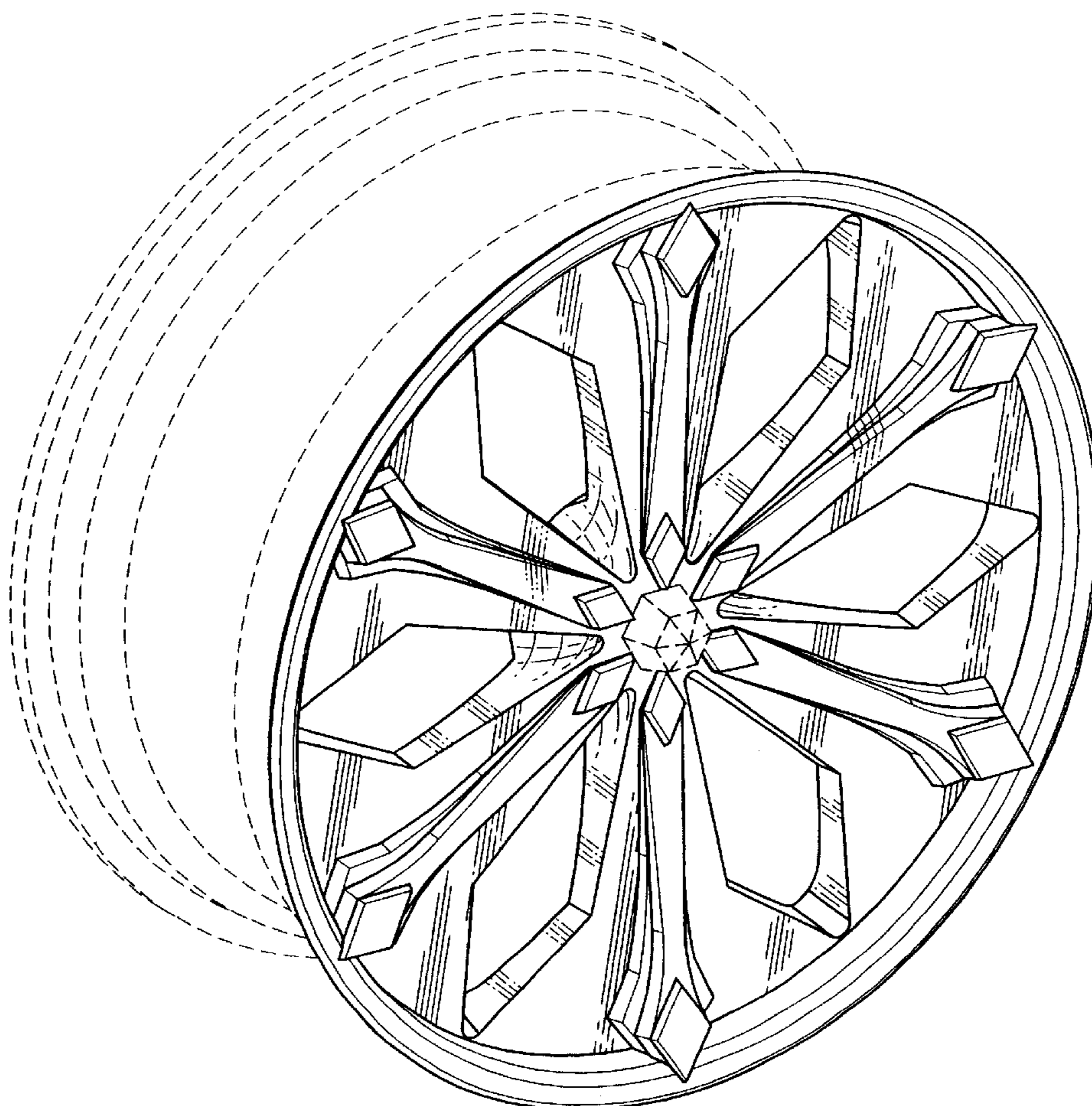


Fig. 1

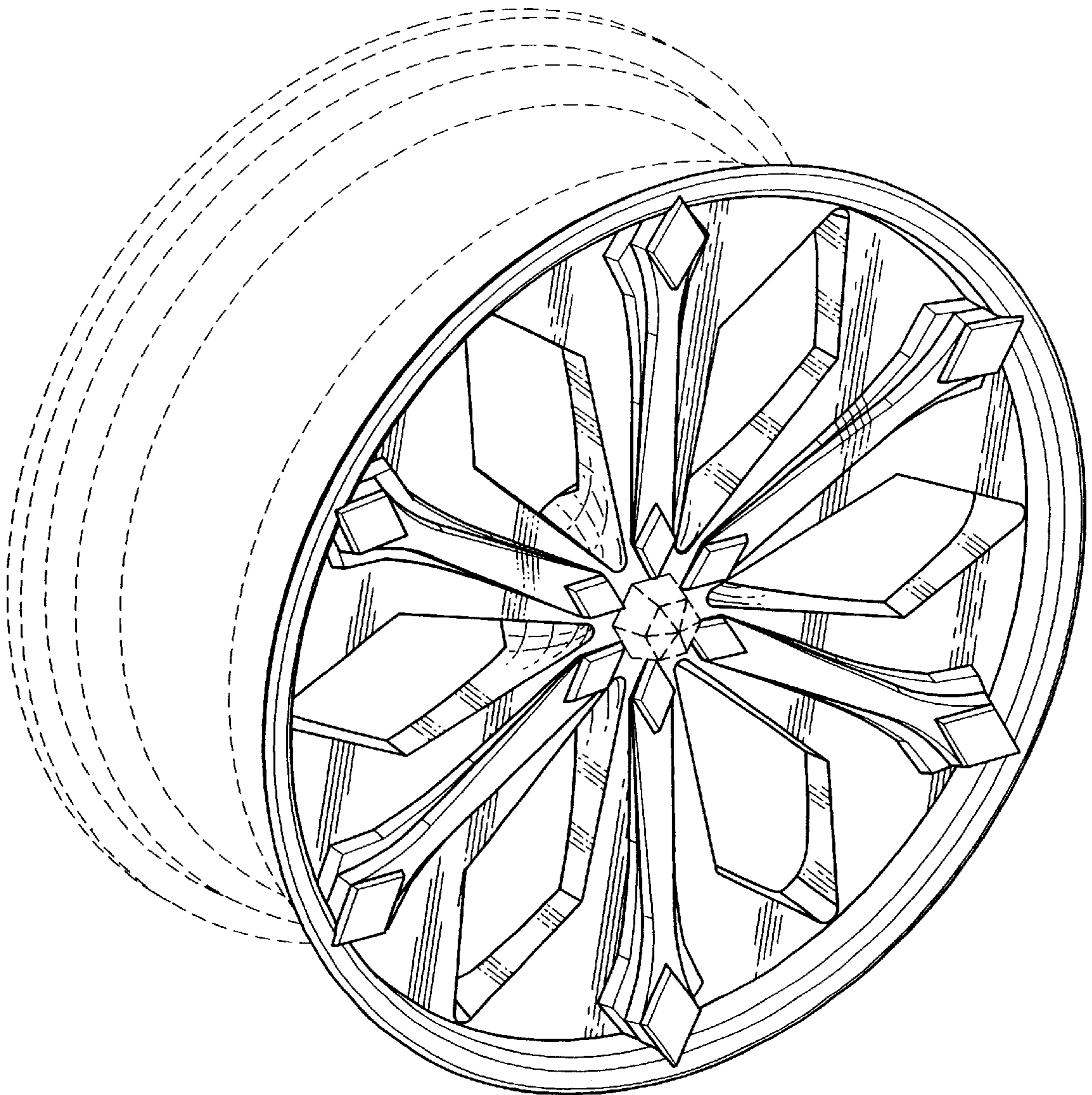




Fig. 2

