



US00D481336S

(12) **United States Design Patent**
Wu

(10) **Patent No.:** **US D481,336 S**

(45) **Date of Patent:** **** Oct. 28, 2003**

(54) **WALKER**

6,378,883 B1 * 4/2002 Epstein 280/250.1

(76) Inventor: **David Wu**, No. 35-1, Jih Hsin Street,
Tu Cheng City, Taipei Hsien (TW)

* cited by examiner

(**) Term: **14 Years**

Primary Examiner—Marcus A. Jackson
(74) *Attorney, Agent, or Firm*—Troxell Law Office PLLC

(21) Appl. No.: **29/172,690**

(57) **CLAIM**

(22) Filed: **Dec. 17, 2002**

The ornamental design for walker, as shown and described.

(51) **LOC (7) Cl.** **12-12**

DESCRIPTION

(52) **U.S. Cl.** **D12/130**

FIG. 1 is a perspective view of a walker showing my new design;

(58) **Field of Search** D12/128-133;

135/65, 67, 74, 85; 280/87.021, 87.041;

297/5, 6

FIG. 2 is a front elevational view thereof;

FIG. 3 is a rear elevational view thereof;

FIG. 4 is a top plan view thereof;

FIG. 5 is a bottom pan view thereof;

FIG. 6 is a right side elevational view thereof; and,

FIG. 7 illustrates the walker in folded status.

(56) **References Cited**

U.S. PATENT DOCUMENTS

D441,694 S * 5/2001 Kjell et al. D12/130

D448,706 S * 10/2001 Fern D12/130

D451,053 S * 11/2001 Hallgrimsson D12/130

1 Claim, 7 Drawing Sheets



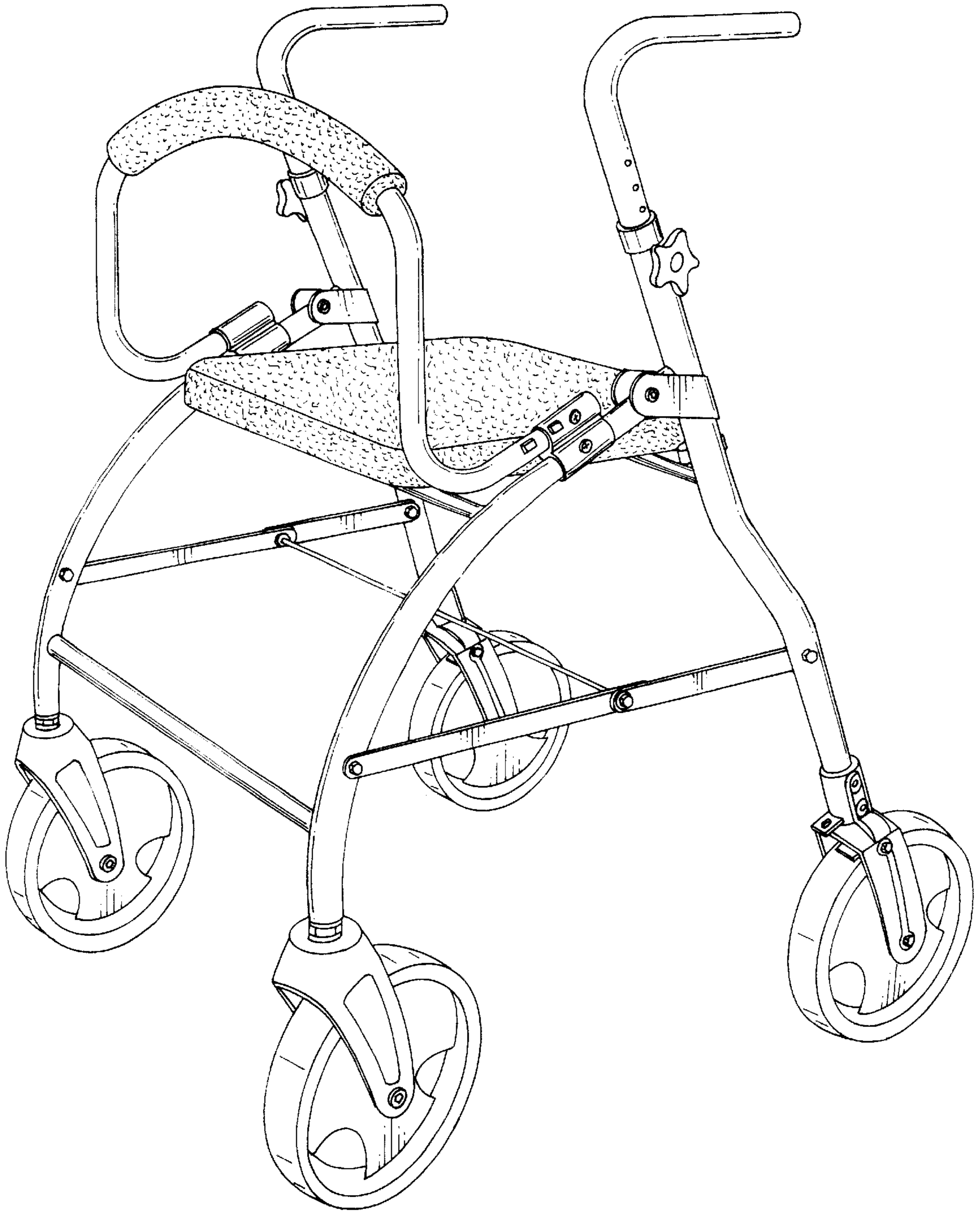


Fig. 1

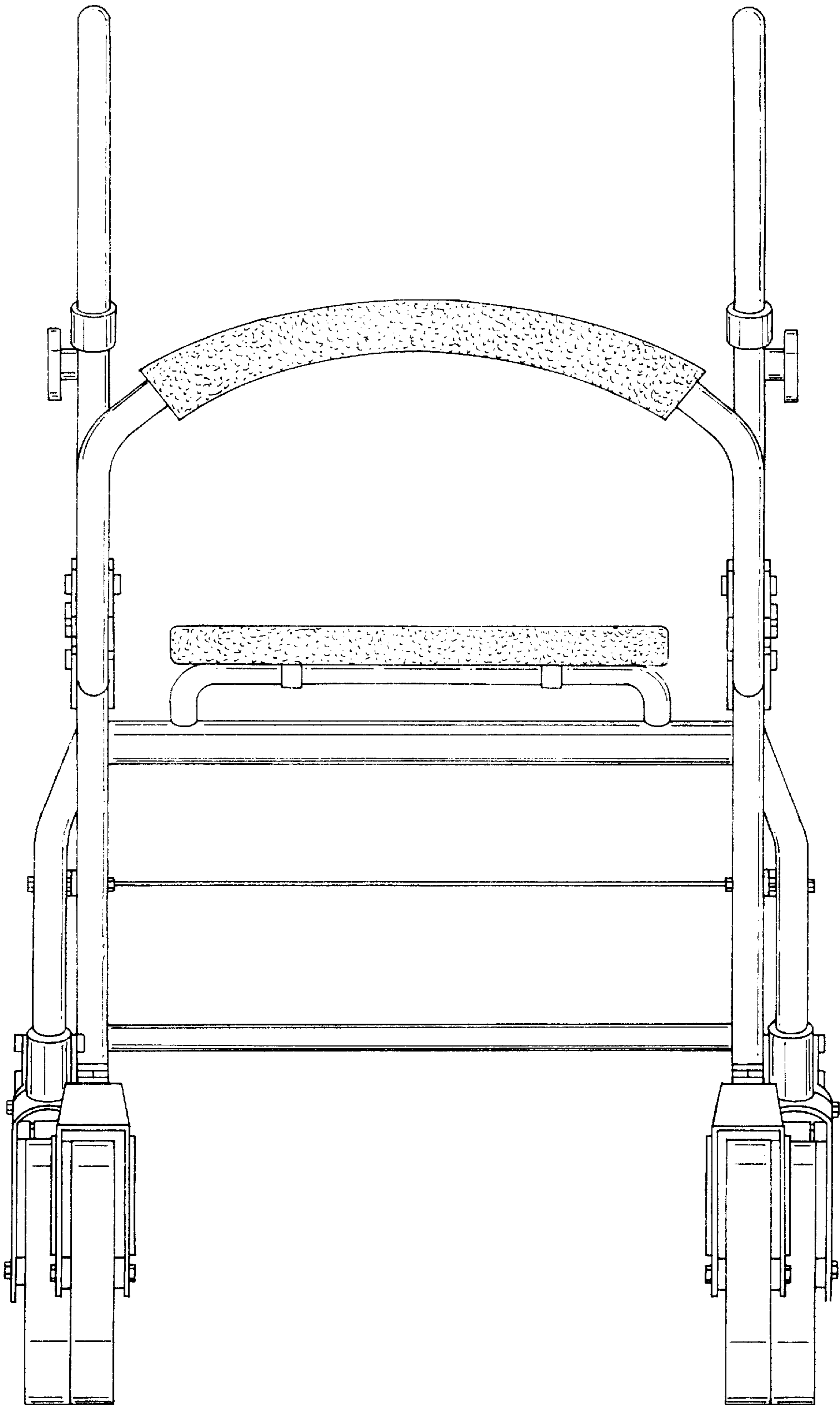


Fig. 2

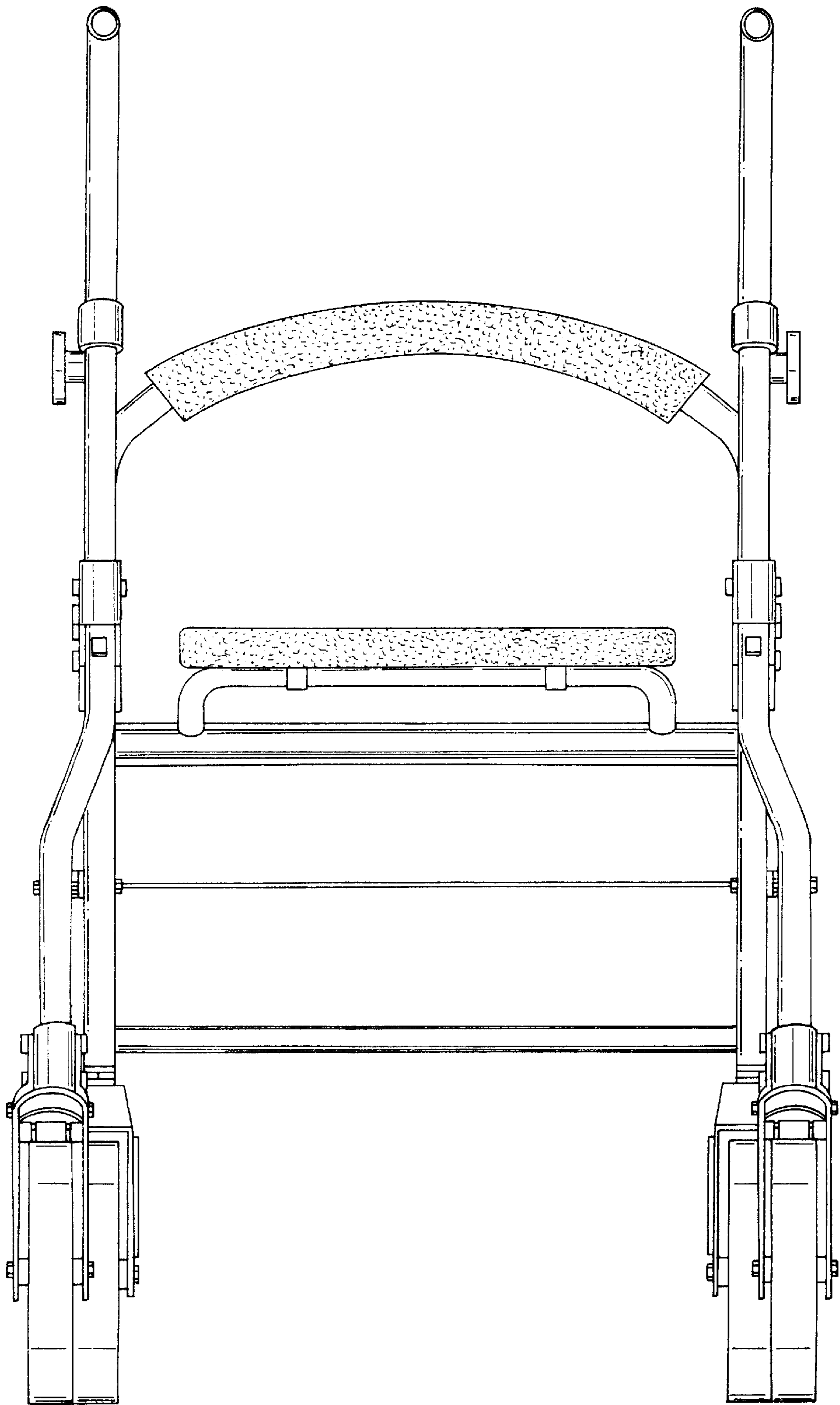


Fig. 3

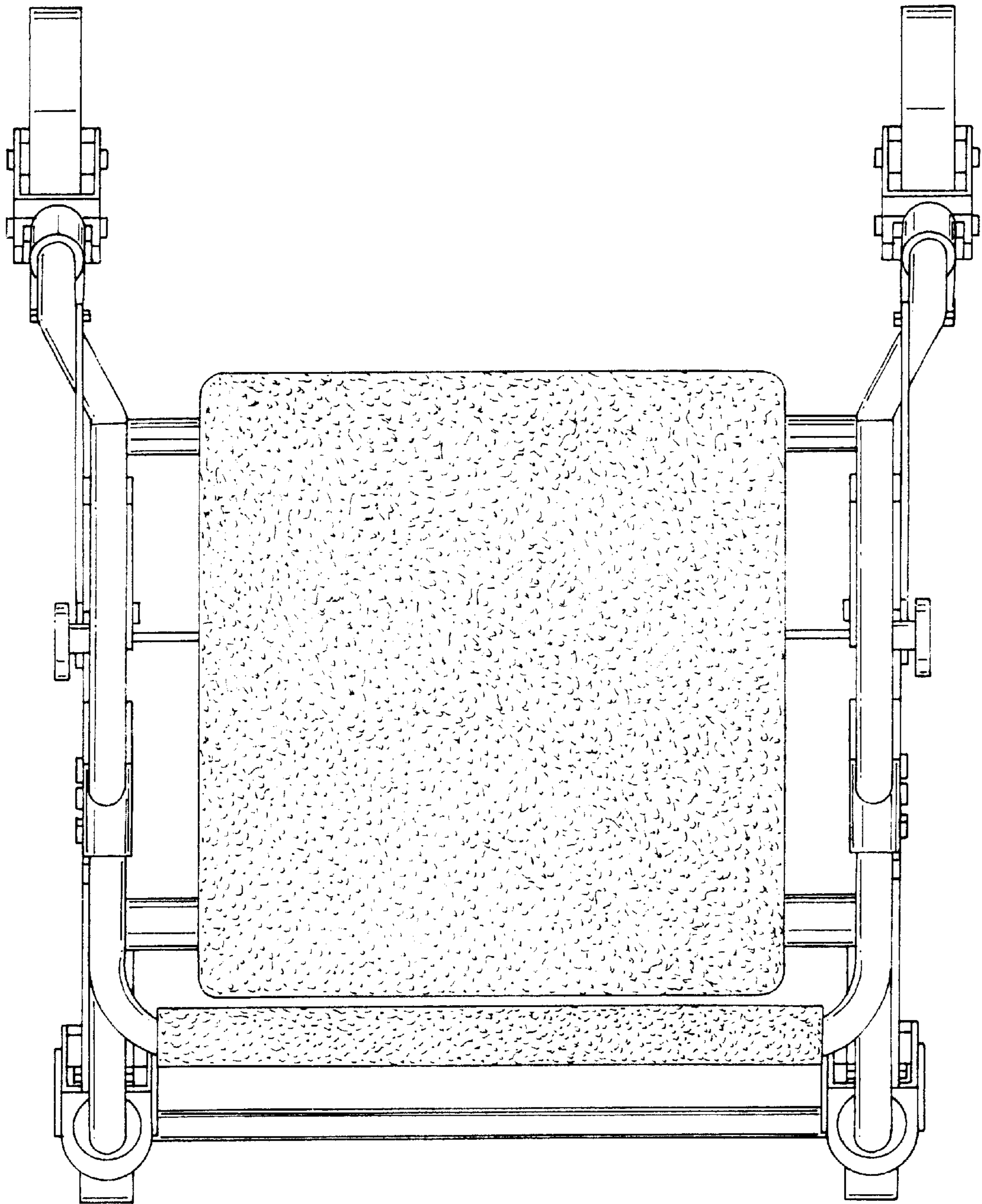


Fig. 4

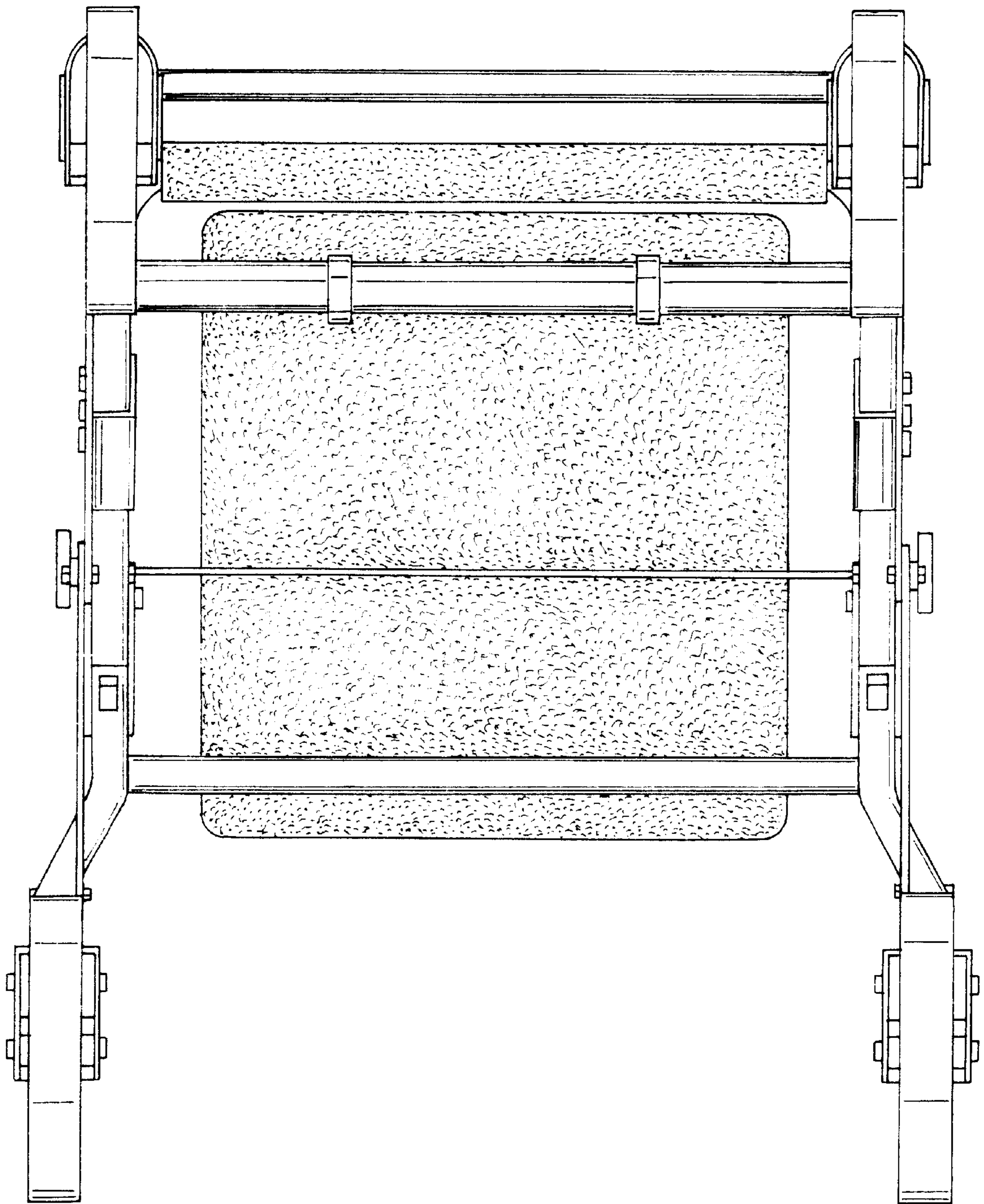


Fig. 5

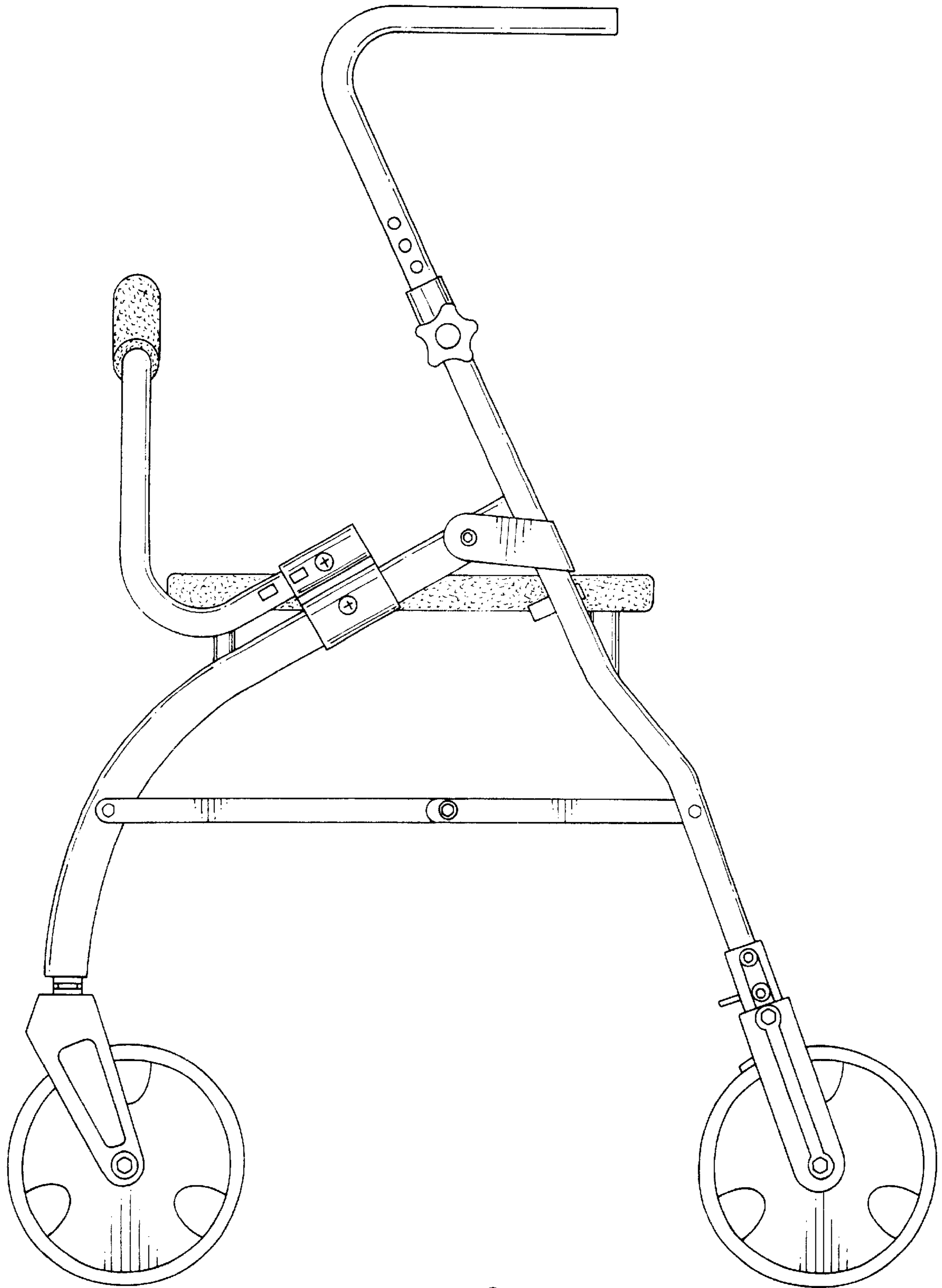


Fig. 6

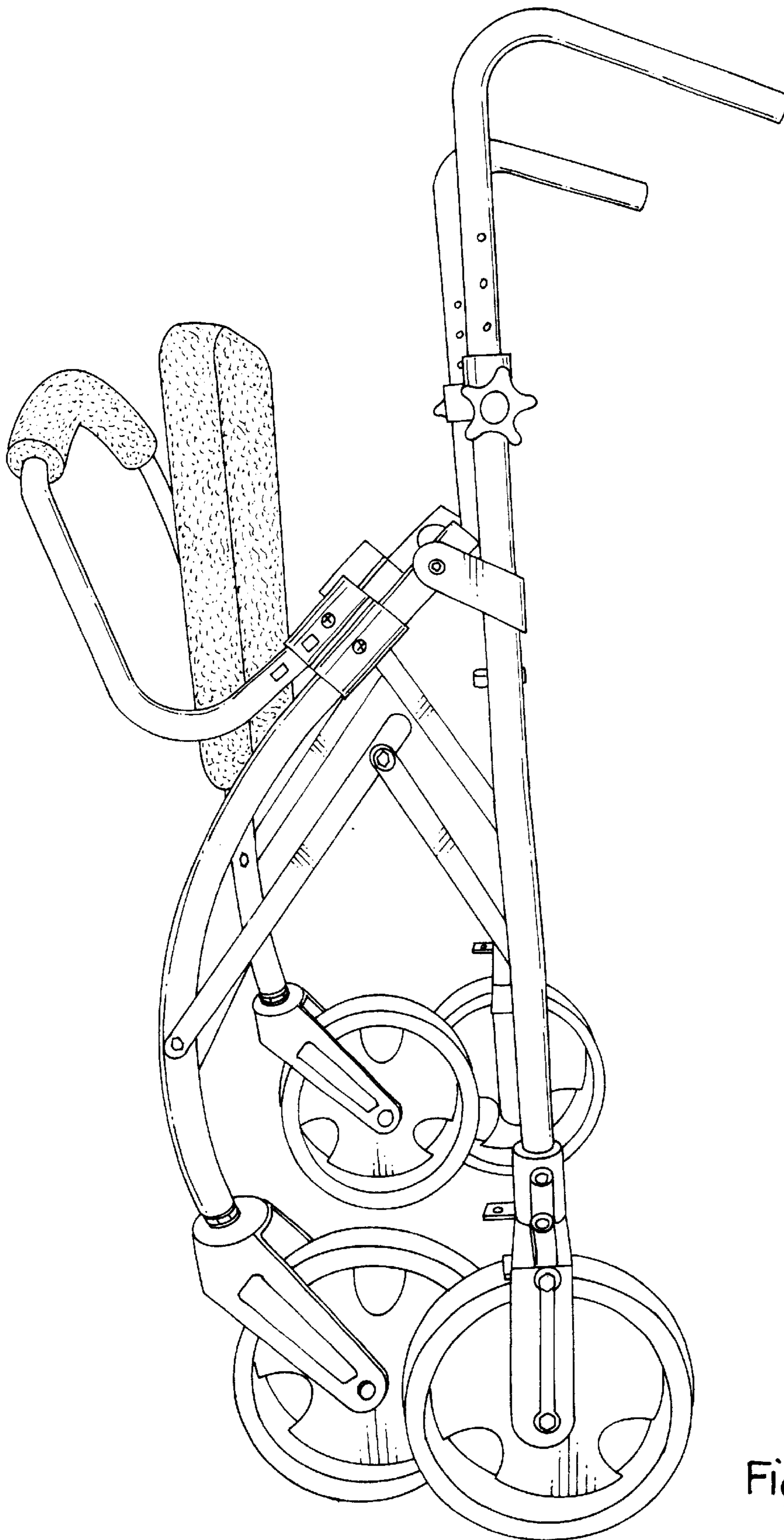


Fig. 7