



US00D481335S

(12) **United States Design Patent**
Chen

(10) **Patent No.:** **US D481,335 S**

(45) **Date of Patent:** **** Oct. 28, 2003**

(54) **BIKE HANDLE DECORATION**

599,564 A * 2/1898 Kintner 74/551.9
D372,690 S * 8/1996 Nakai D12/113

(75) Inventor: **Ting-Hsing Chen**, Tainan Hsien (TW)

* cited by examiner

(73) Assignee: **Far Great Plastics Industrial Co., Ltd.**, Tainan Hsien (TW)

Primary Examiner—Joel Sincavage

Assistant Examiner—Linda Brooks

(**) Term: **14 Years**

(74) *Attorney, Agent, or Firm*—Rosenberg, Klein & Lee

(21) Appl. No.: **29/163,592**

(57) **CLAIM**

(22) Filed: **Jul. 10, 2002**

The ornamental design for a bike handle decoration, as shown and described.

(51) **LOC (7) Cl.** **12-11**

DESCRIPTION

(52) **U.S. Cl.** **D12/114**

(58) **Field of Search** D12/111-114,
D12/174, 179; D8/300, 303, 310; 74/543,
551.8, 551.9; 16/110.1, 406, 421; 280/288.4,
282, 259

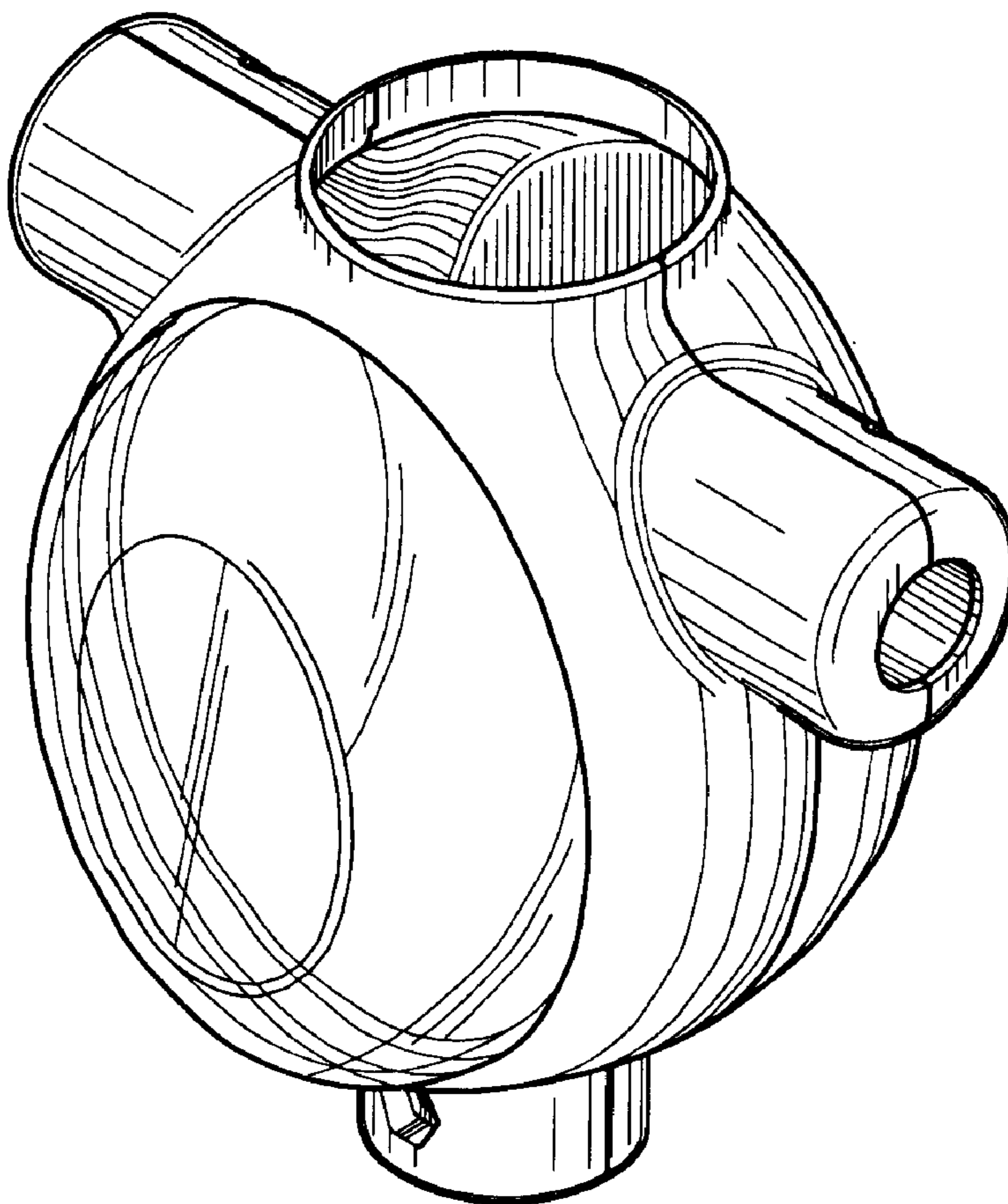
FIG. 1 is a perspective view of a bike handle decoration showing my present design;
FIG. 2 is a front view thereof;
FIG. 3 is a rear view thereof;
FIG. 4 is a left view thereof;
FIG. 5 is a right view thereof;
FIG. 6 is a top plan view thereof; and,
FIG. 7 is a bottom plan view.

(56) **References Cited**

U.S. PATENT DOCUMENTS

D19,213 S * 7/1889 Creteau D12/179 X
581,260 A * 4/1897 Biddle 74/551.9

1 Claim, 4 Drawing Sheets



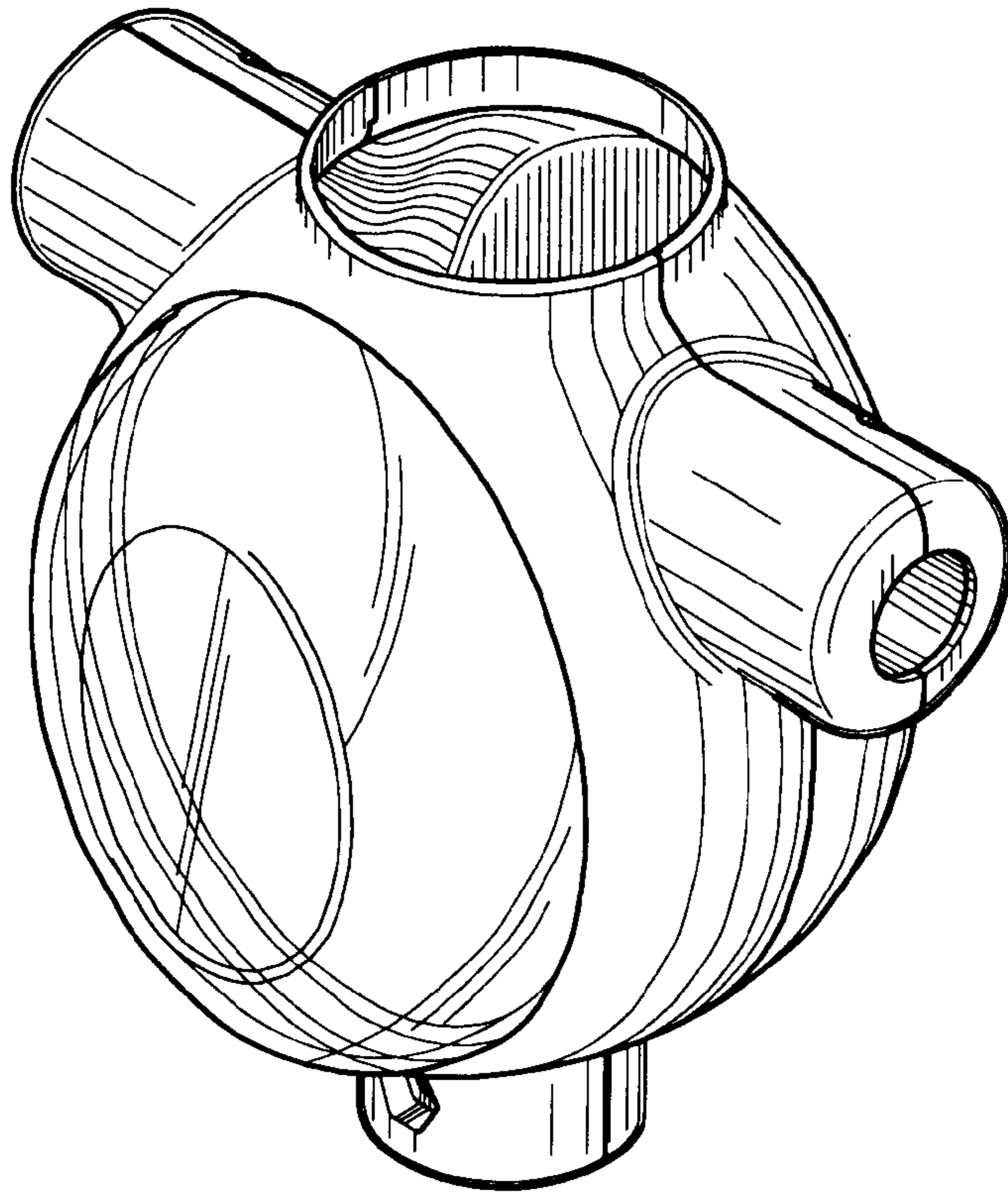


FIG. 1

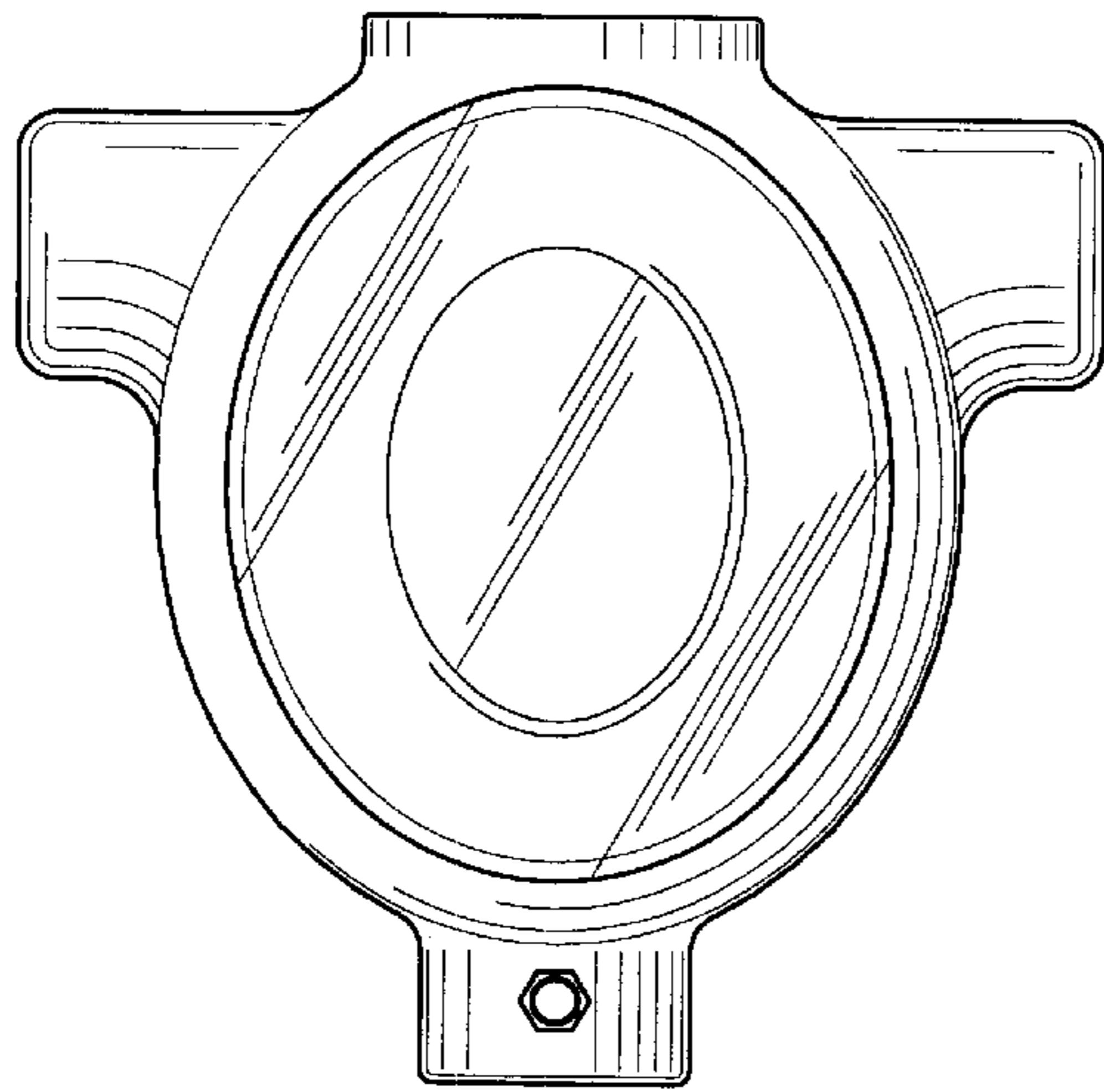


FIG. 2

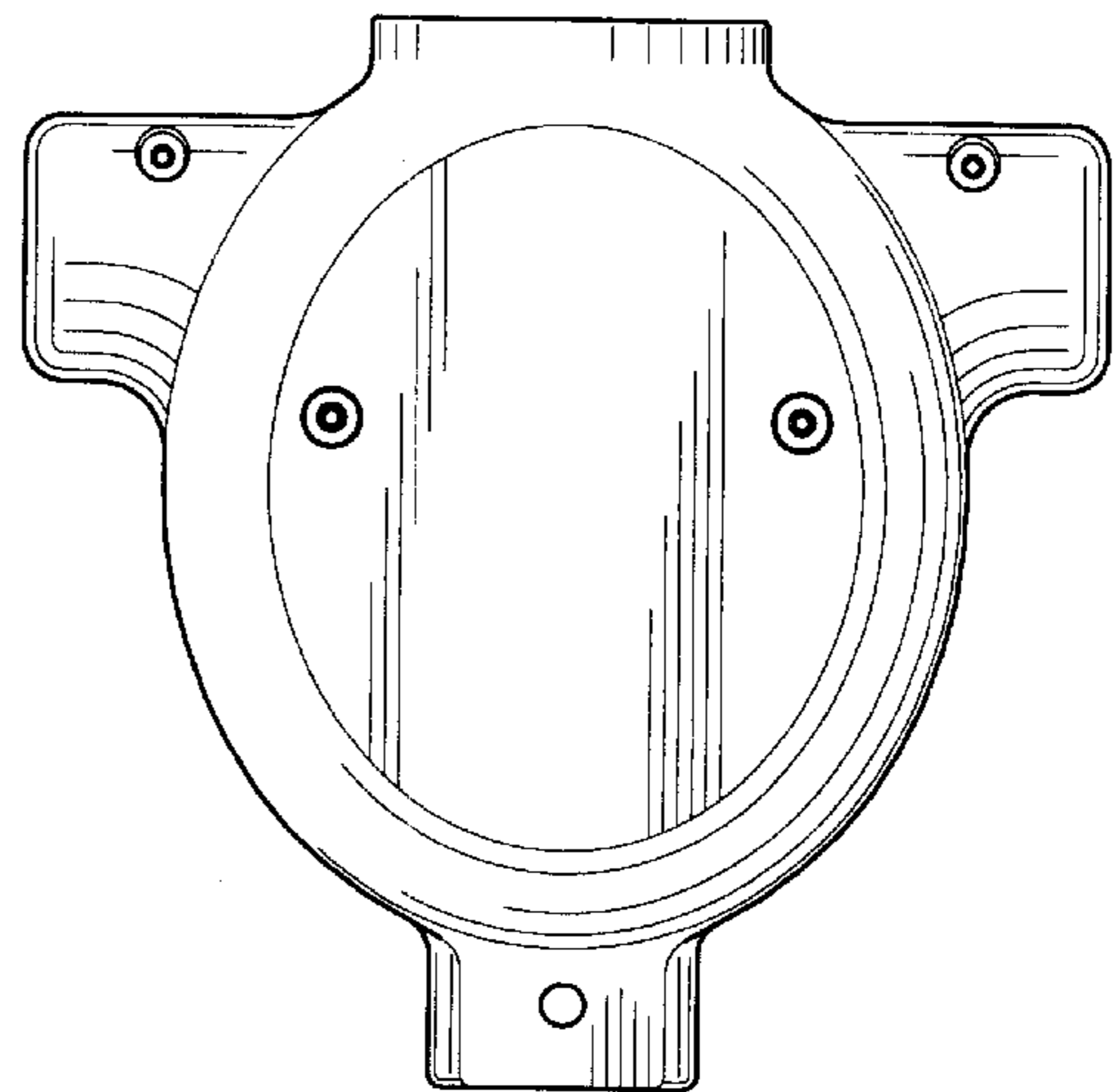


FIG. 3

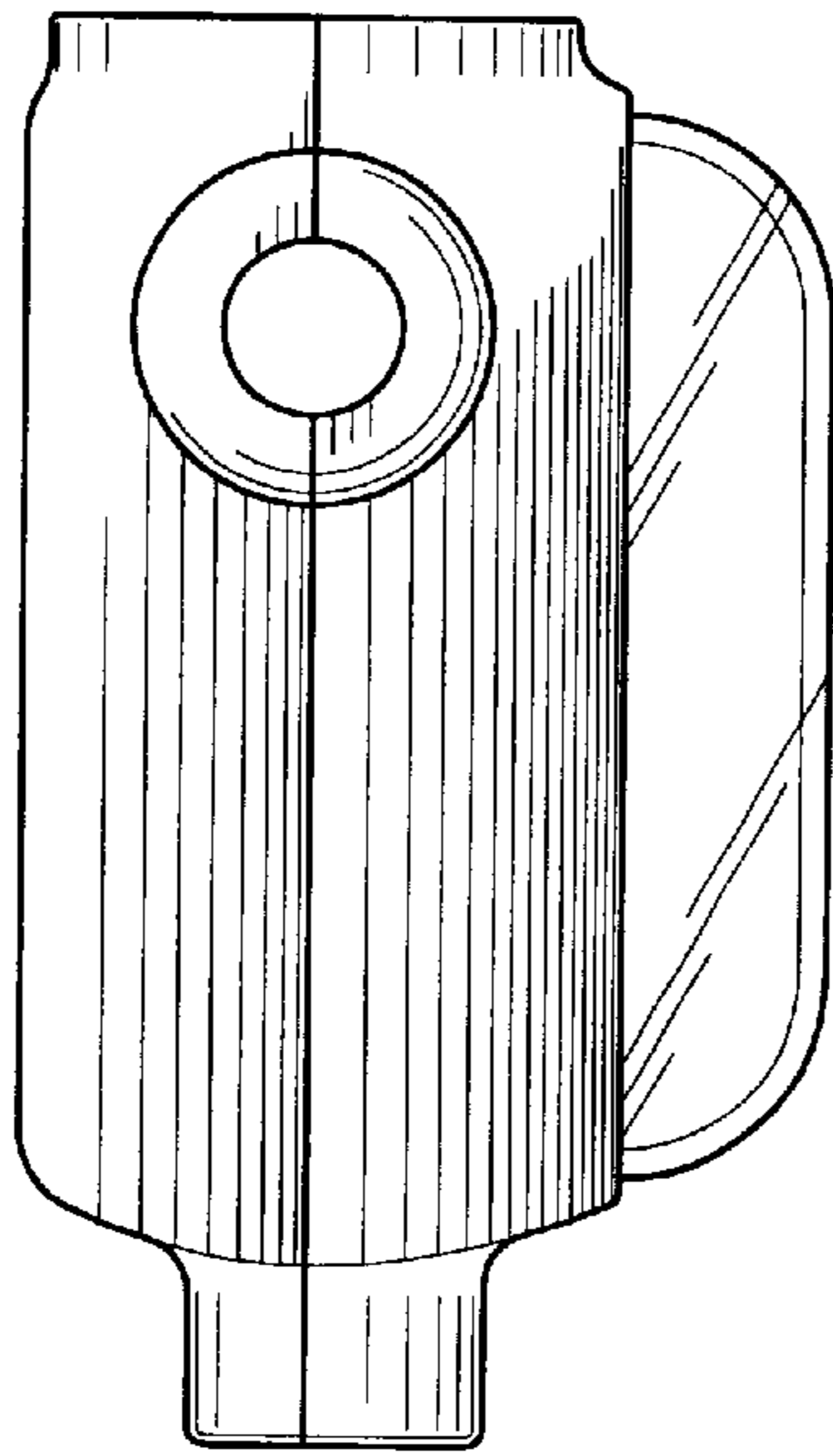


FIG. 4

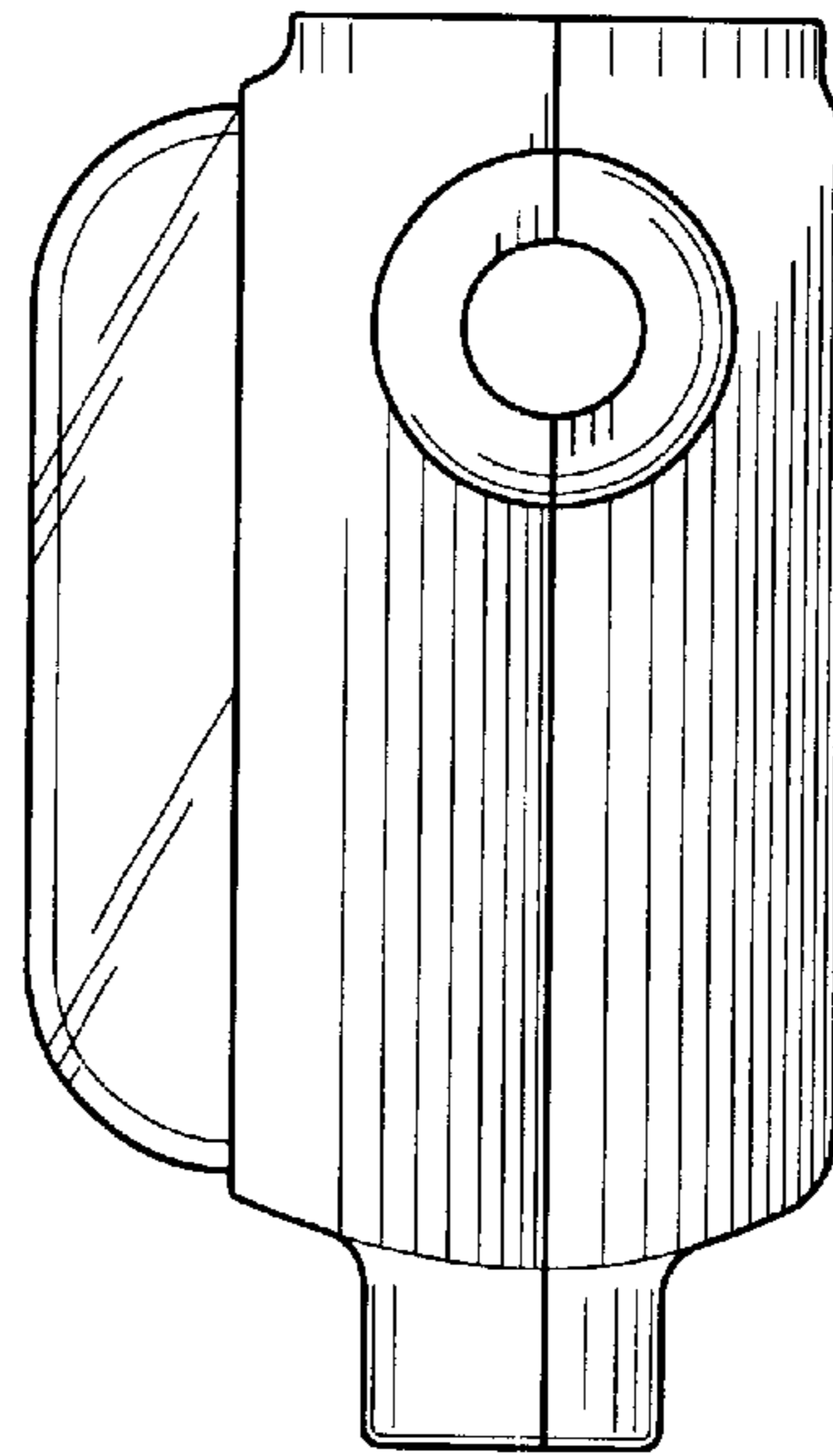


FIG. 5

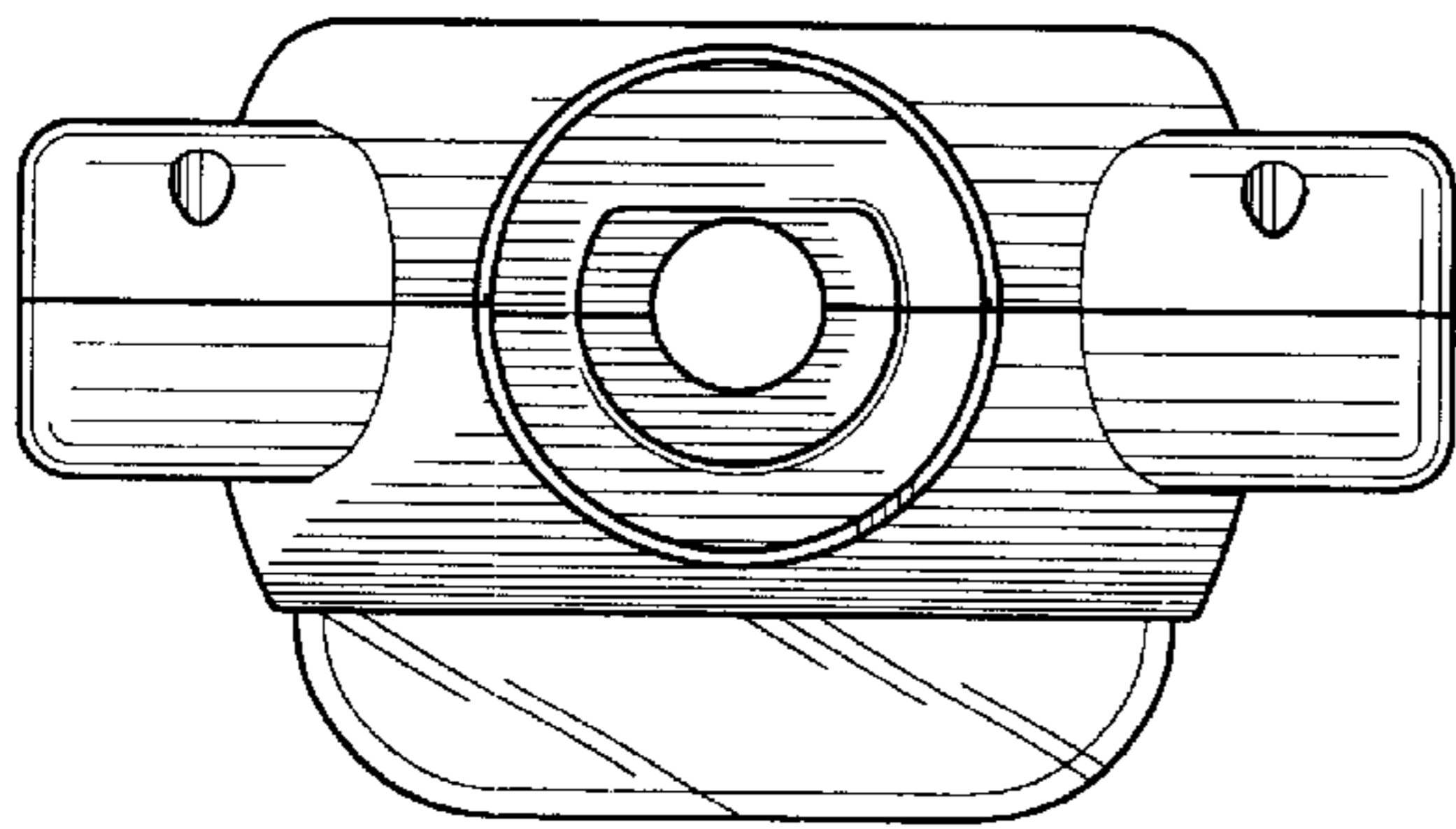


FIG. 6

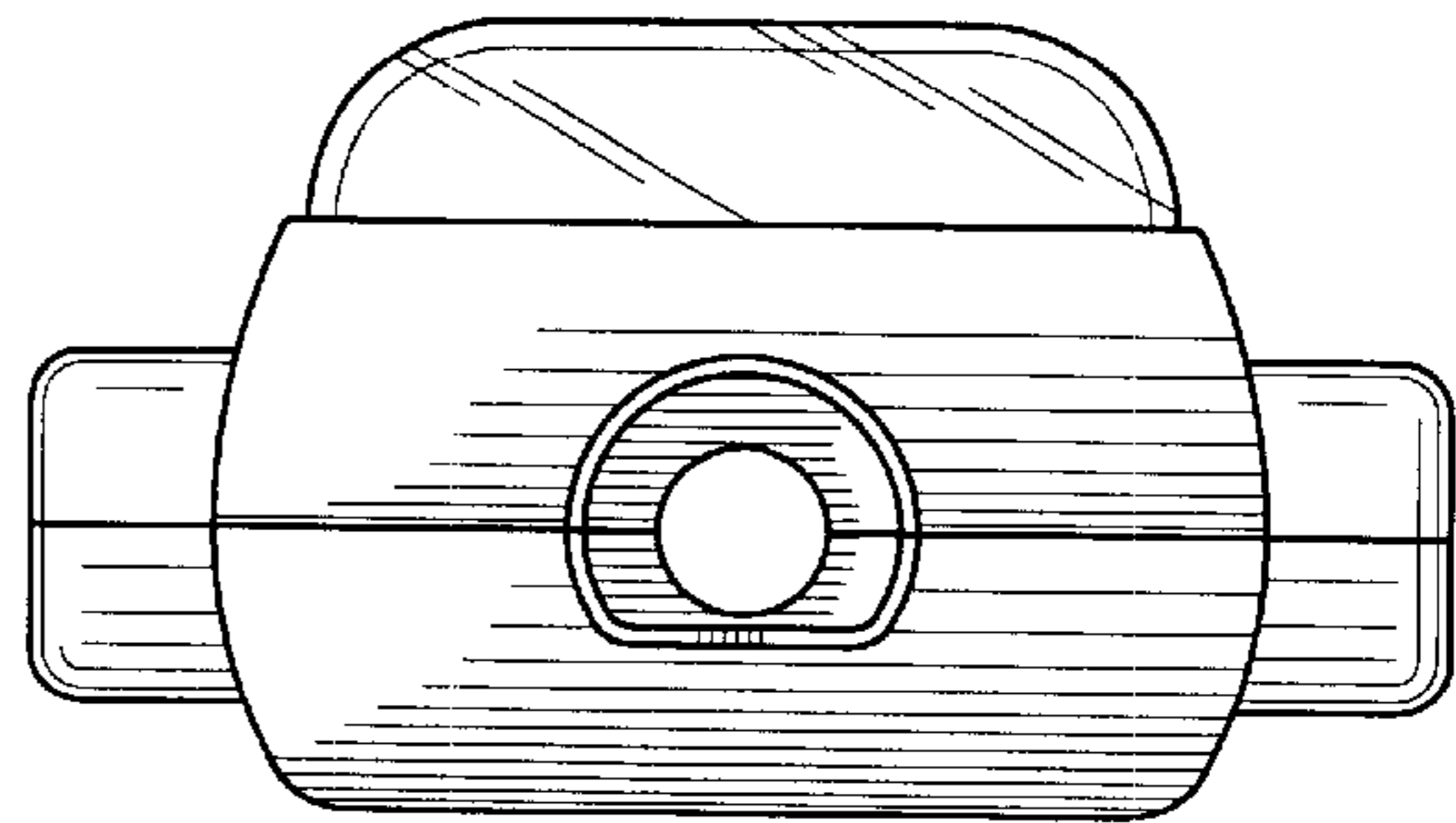


FIG. 7