



US00D481334S

(12) **United States Design Patent**
Kitayama et al.

(10) **Patent No.:** **US D481,334 S**

(45) **Date of Patent:** **** Oct. 28, 2003**

(54) **FOLDING TWO-WHEEL VEHICLE**

D466,839 S * 12/2002 Ou D12/110

(75) Inventors: **Kyosuke Kitayama, Asaka (JP);
Katsuyuki Nagano, Asaka (JP);
Yutaka Murata, Fujimi (JP)**

* cited by examiner

Primary Examiner—Alan P. Douglas

Assistant Examiner—Linda Brooks

(73) Assignee: **Honda Giken Kogyo Kabushiki
Kaisha, Tokyo (JP)**

(74) *Attorney, Agent, or Firm*—Blank Rome LLP

(**) Term: **14 Years**

(57) **CLAIM**

The ornamental design for a folding two-wheel vehicle, as shown and described.

(21) Appl. No.: **29/158,150**

DESCRIPTION

(22) Filed: **Apr. 1, 2002**

FIG. 1 is a front view of a folding two-wheel vehicle showing a new design;

(30) **Foreign Application Priority Data**

Oct. 1, 2001 (JP) 2001-028681

FIG. 2 is a rear view thereof;

(51) **LOC (7) Cl.** **12-11**

FIG. 3 is a left side view thereof;

(52) **U.S. Cl.** **D12/111**

FIG. 4 is a right side view thereof;

(58) **Field of Search** **D12/110, 111;**
280/281.1, 288.1–288.3, 283–287; 180/219,
220

FIG. 5 is a top plan view thereof;

FIG. 6 is a bottom view thereof;

FIG. 7 is a left side of perspective view-1 thereof;

FIG. 8 is a right side of perspective view-1 thereof;

FIG. 9 is a left side of perspective view-2 thereof;

FIG. 10 is a right side of perspective view-2 thereof;

FIG. 11 is a perspective of folded condition-1 thereof;

FIG. 12 is a front view of folded condition thereof; and,

FIG. 13 is a perspective view of folded condition-2.

(56) **References Cited**

U.S. PATENT DOCUMENTS

D231,345 S * 4/1974 Gutknecht D12/111

D402,925 S * 12/1998 Kino et al. D12/110

1 Claim, 7 Drawing Sheets

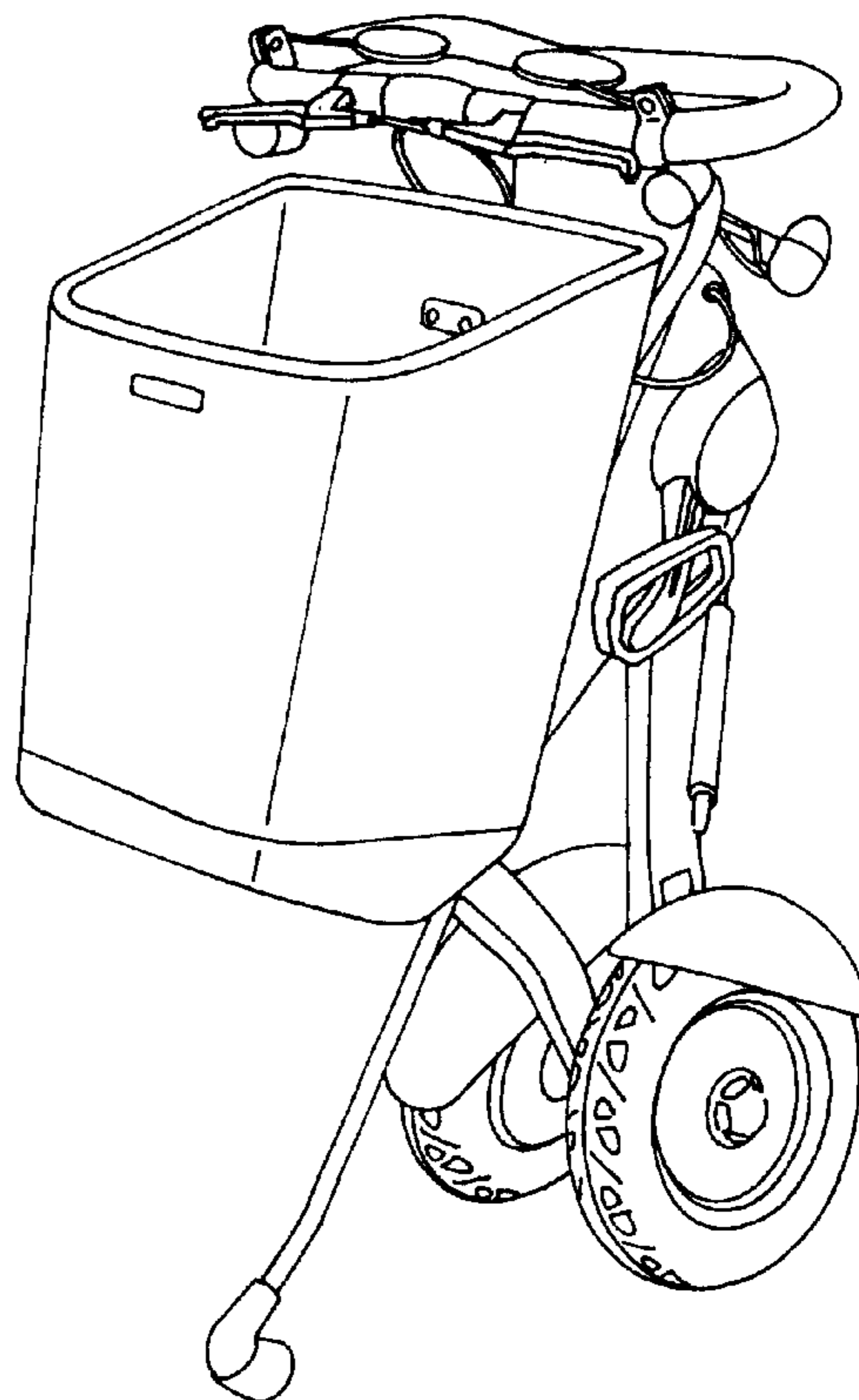
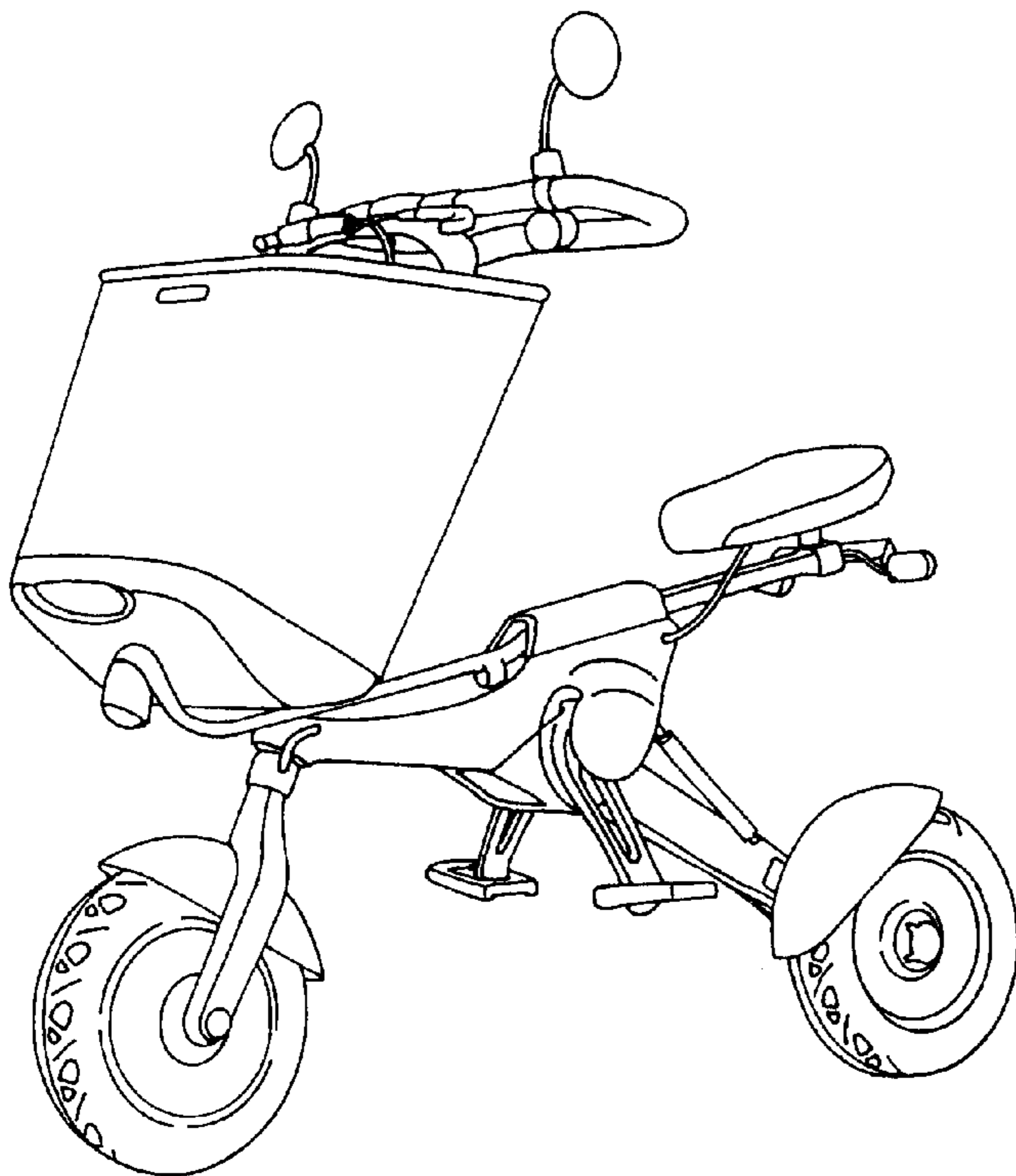


FIG. 1

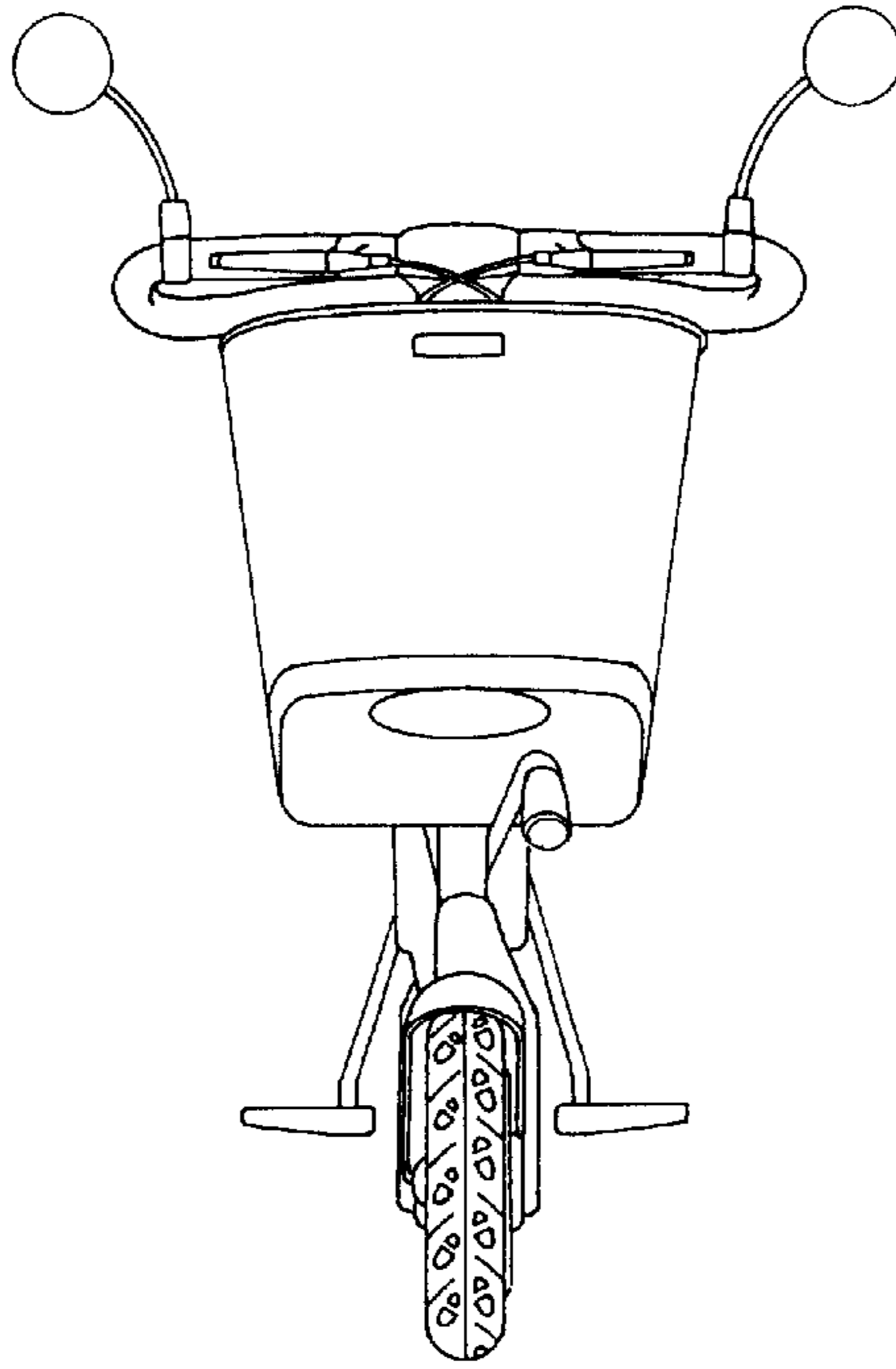


FIG. 2

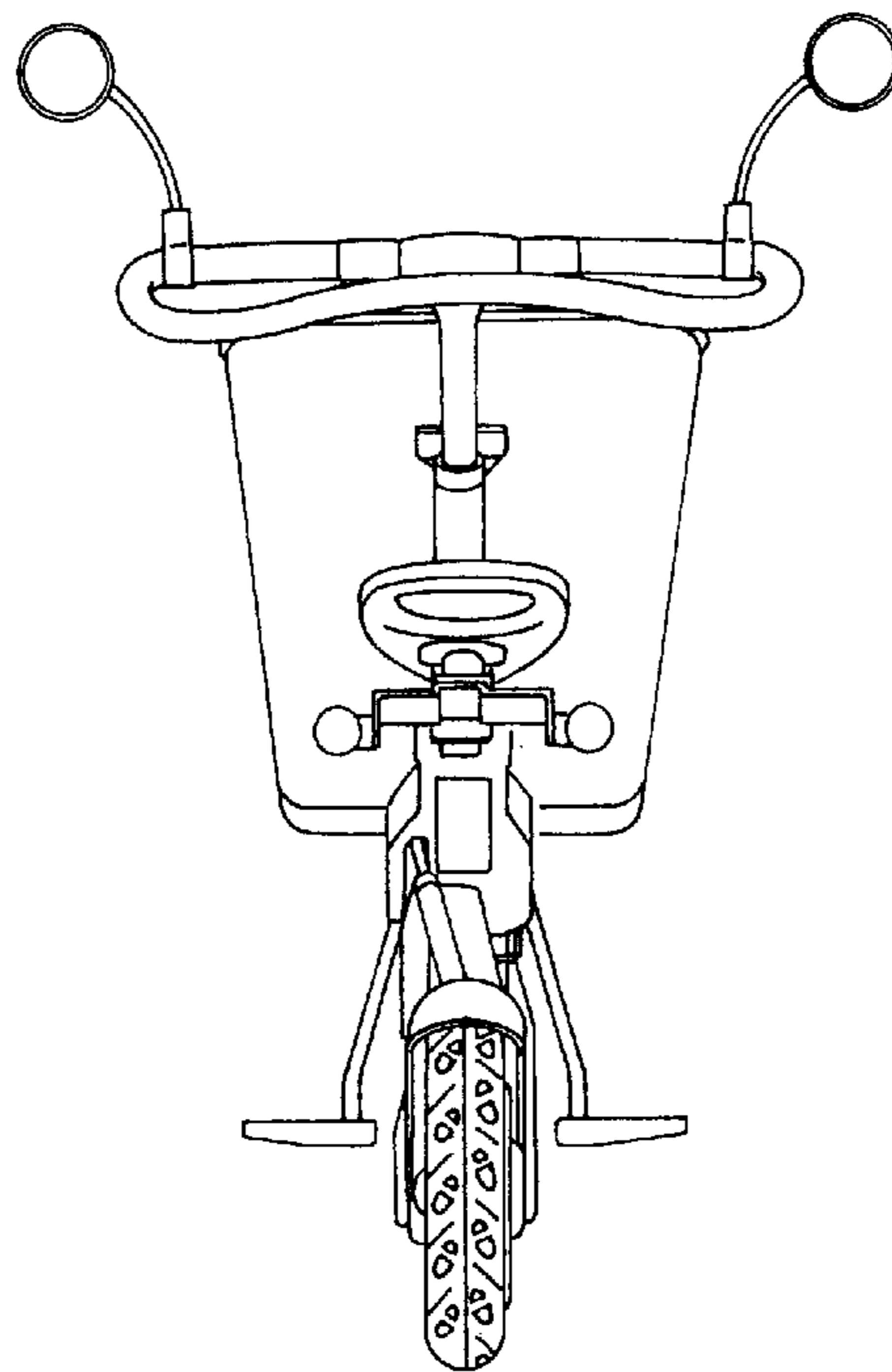


FIG. 3

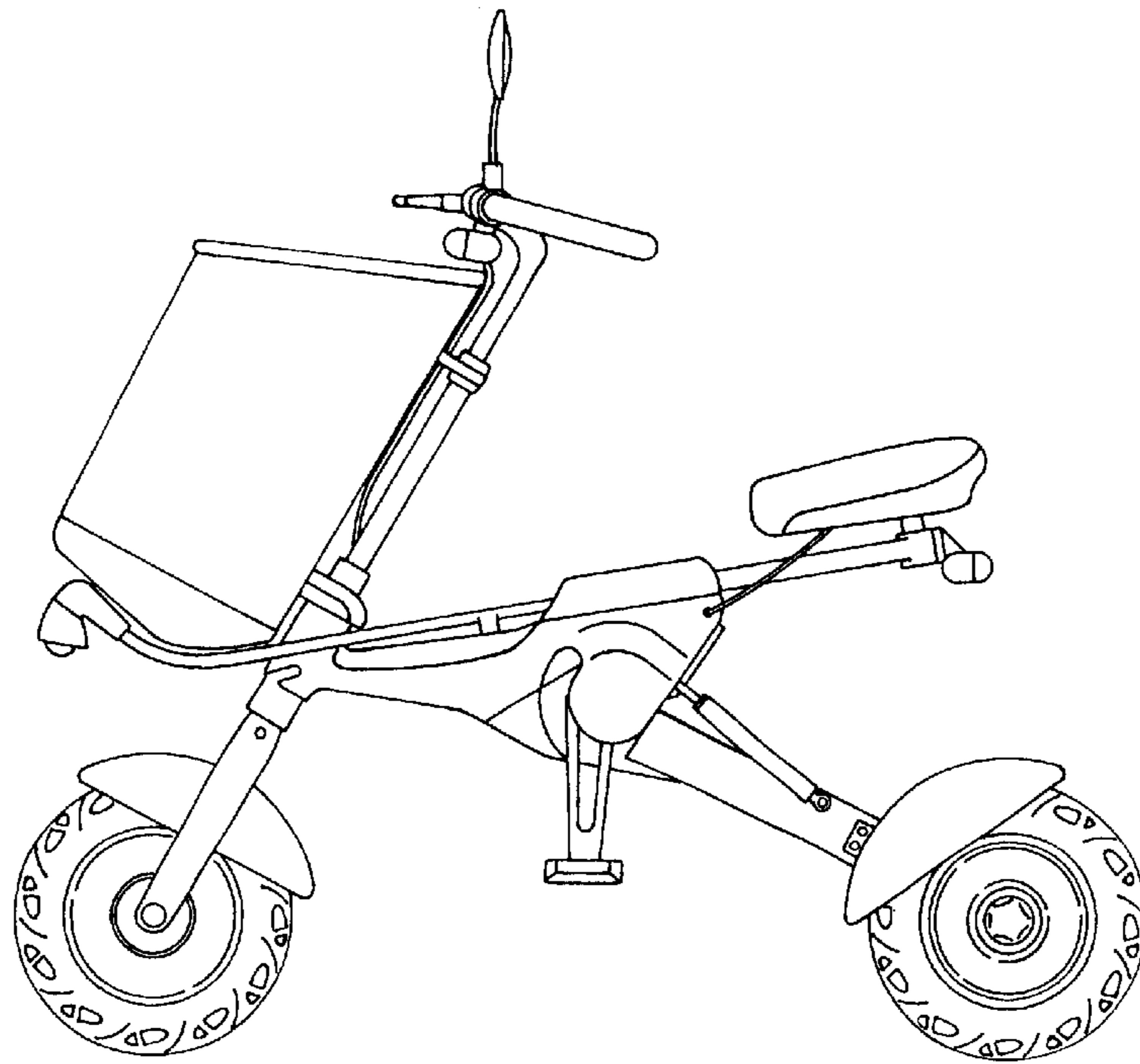


FIG. 4

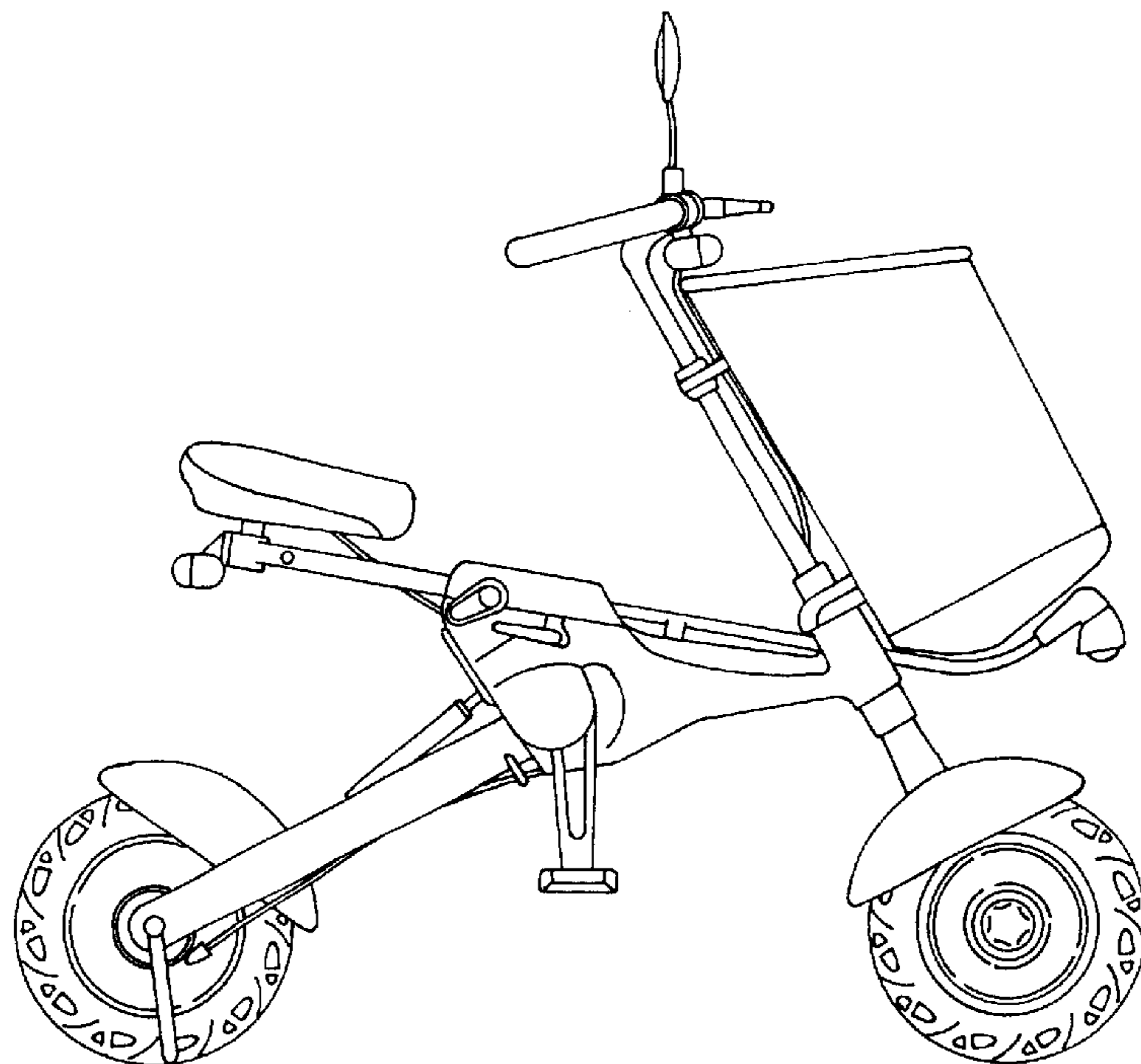


FIG. 5

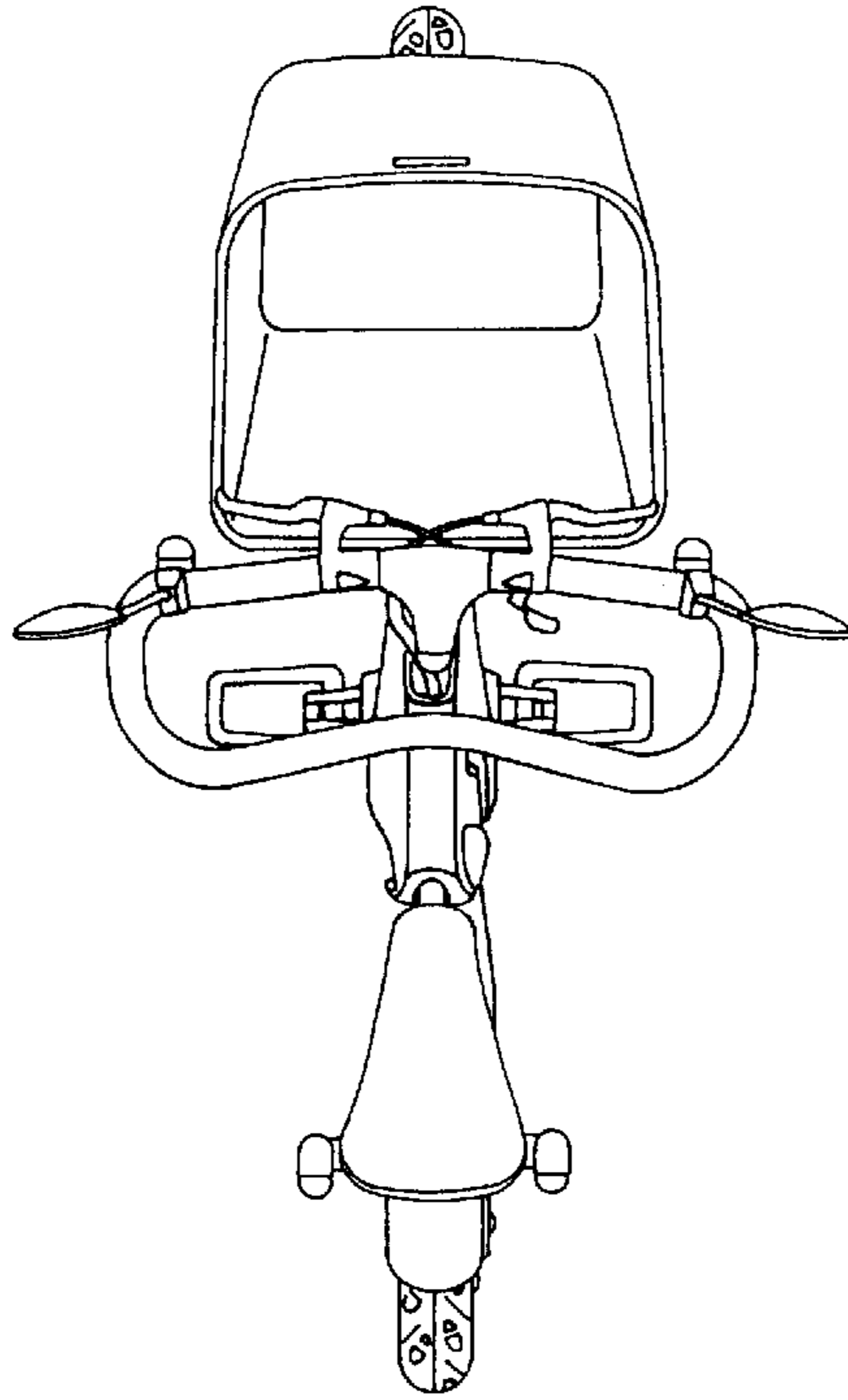


FIG. 6

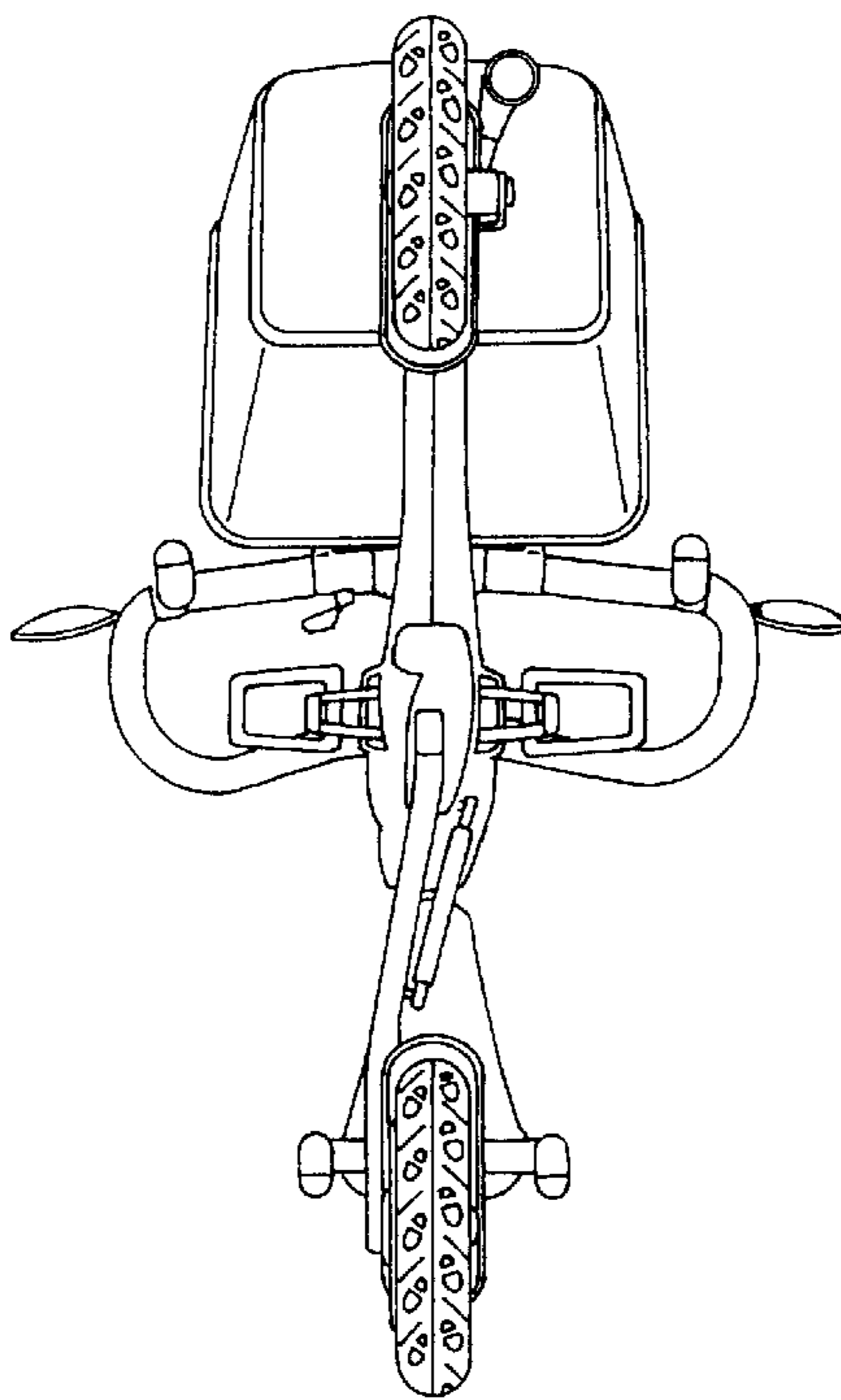


FIG. 7

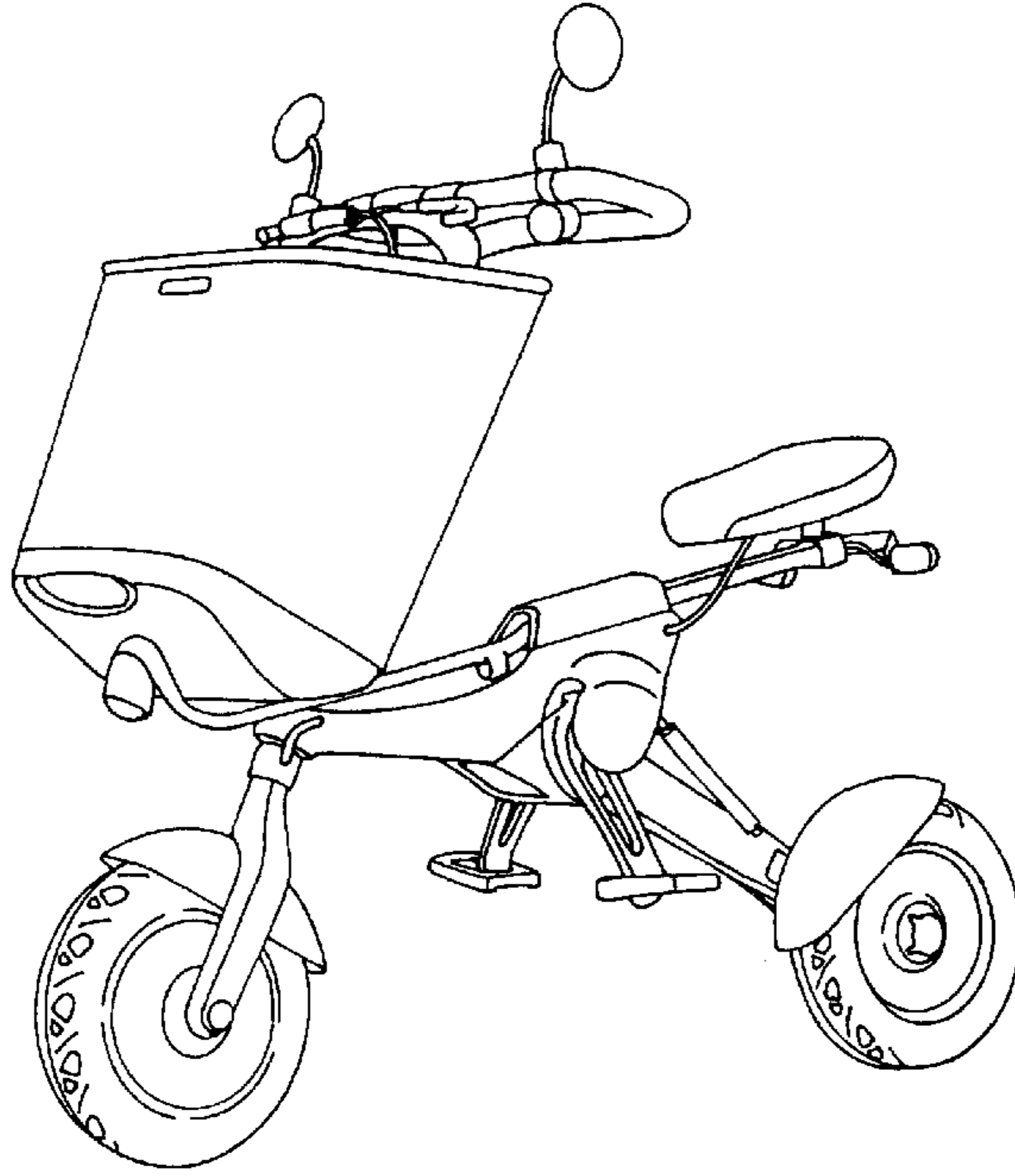


FIG. 8

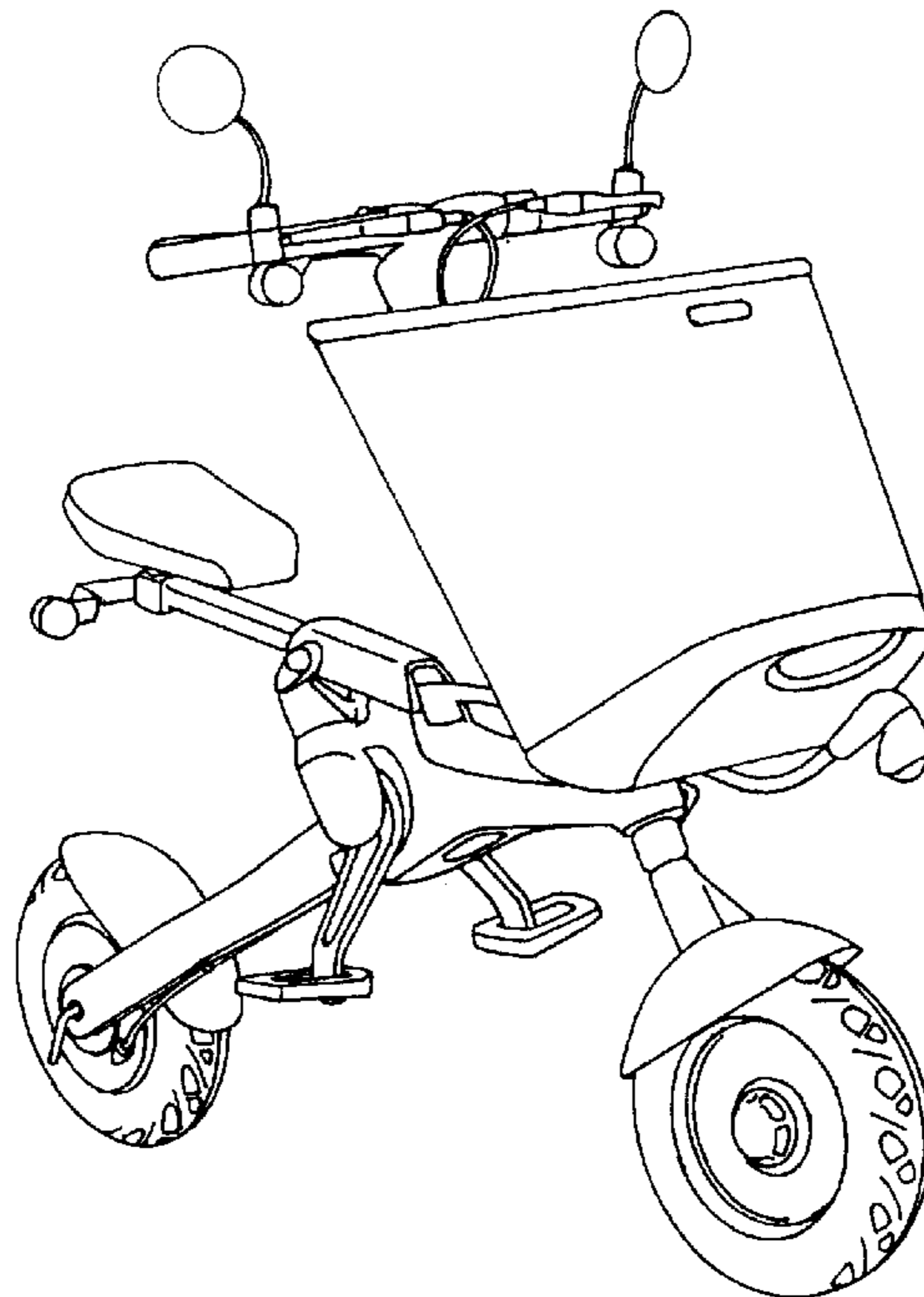


FIG. 9

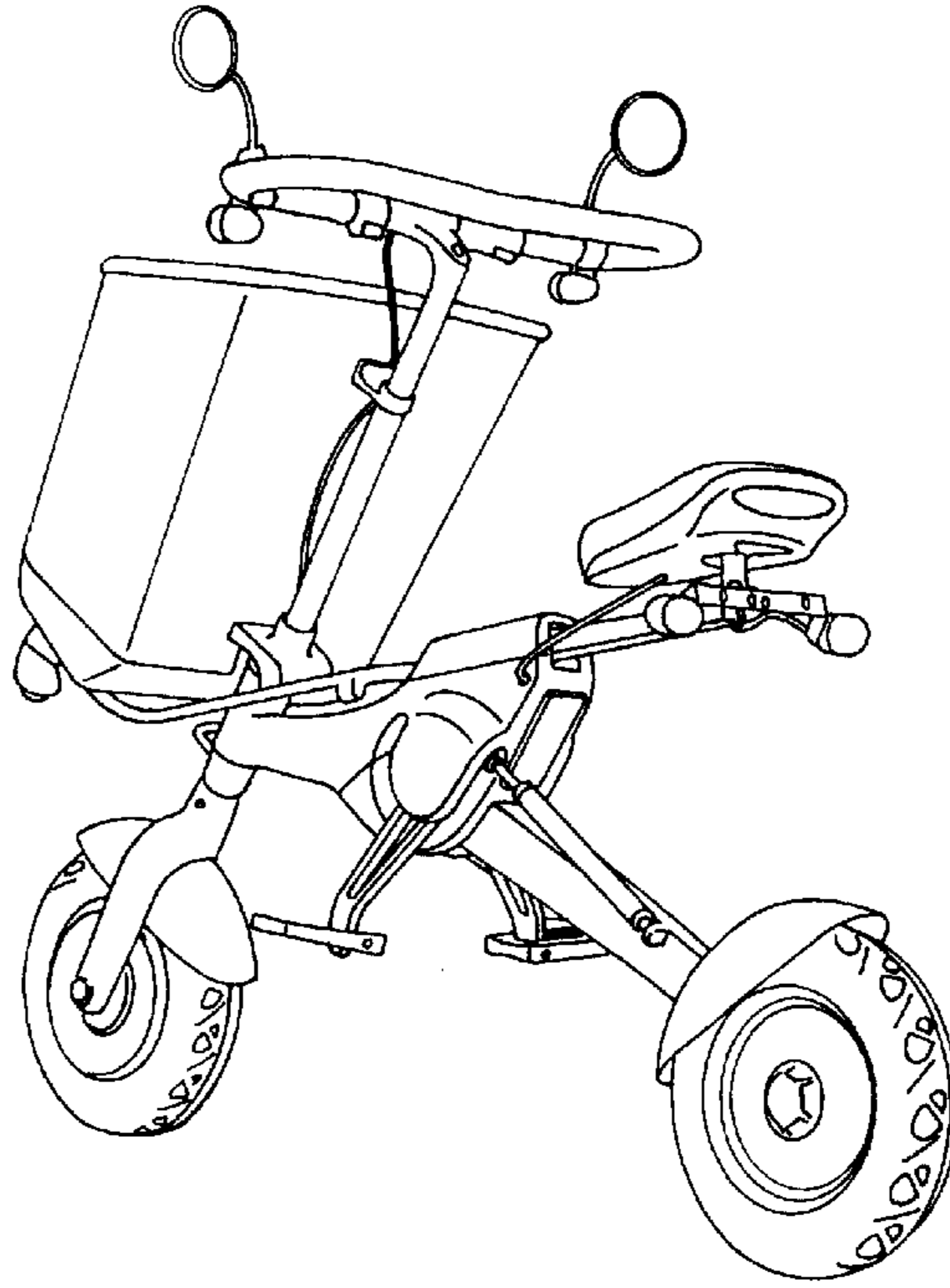


FIG. 10

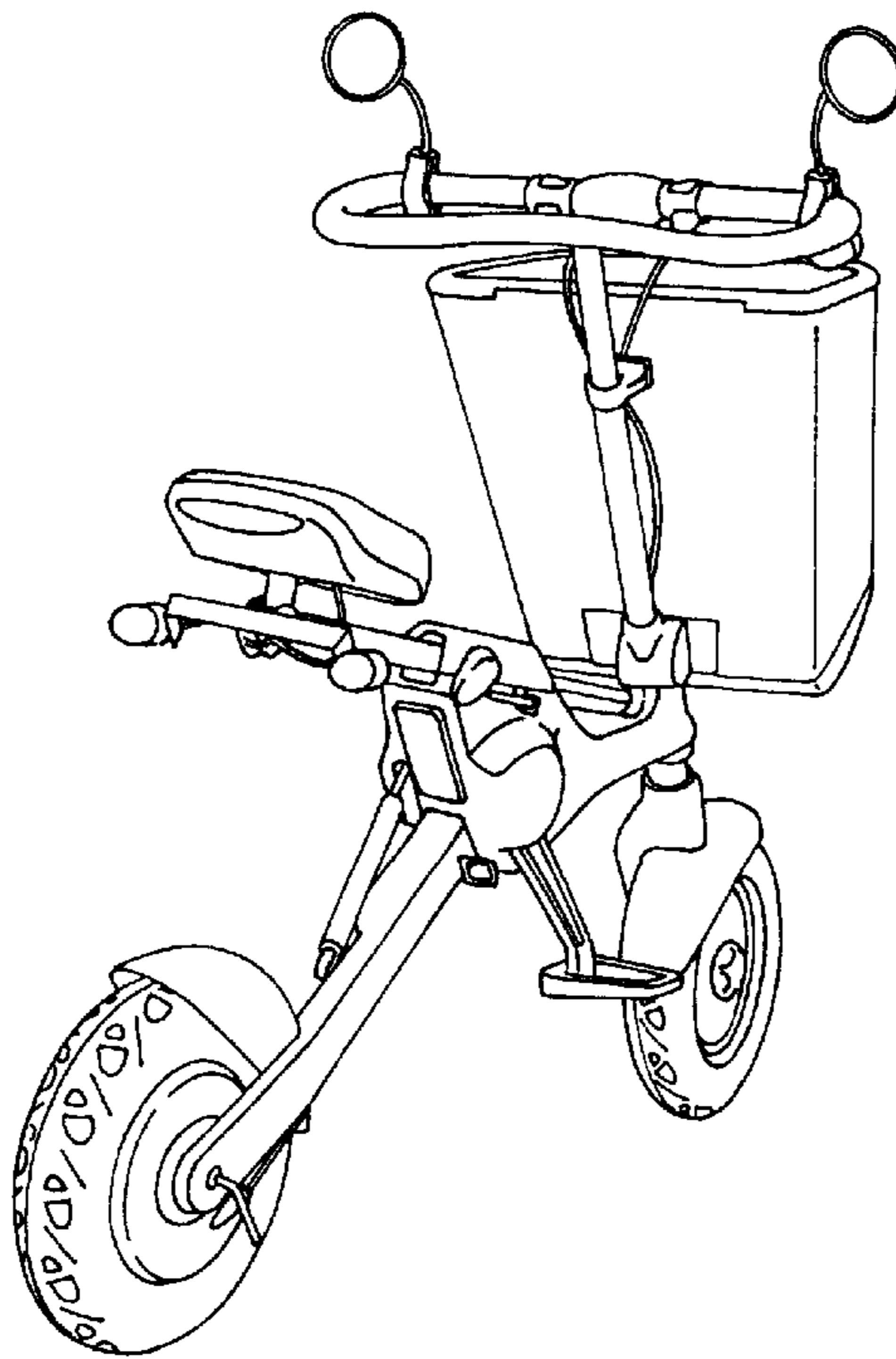


FIG. 11

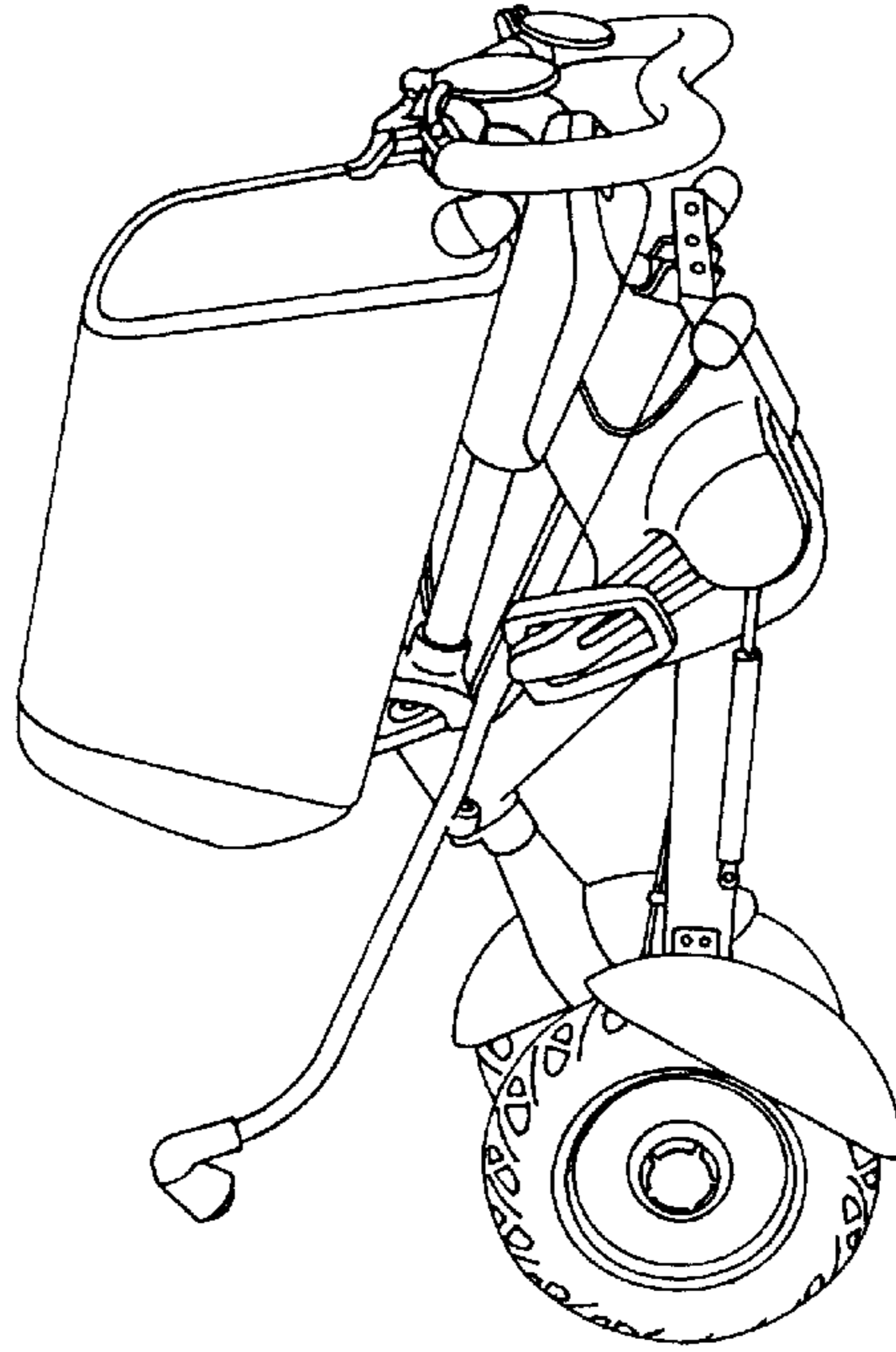


FIG. 12

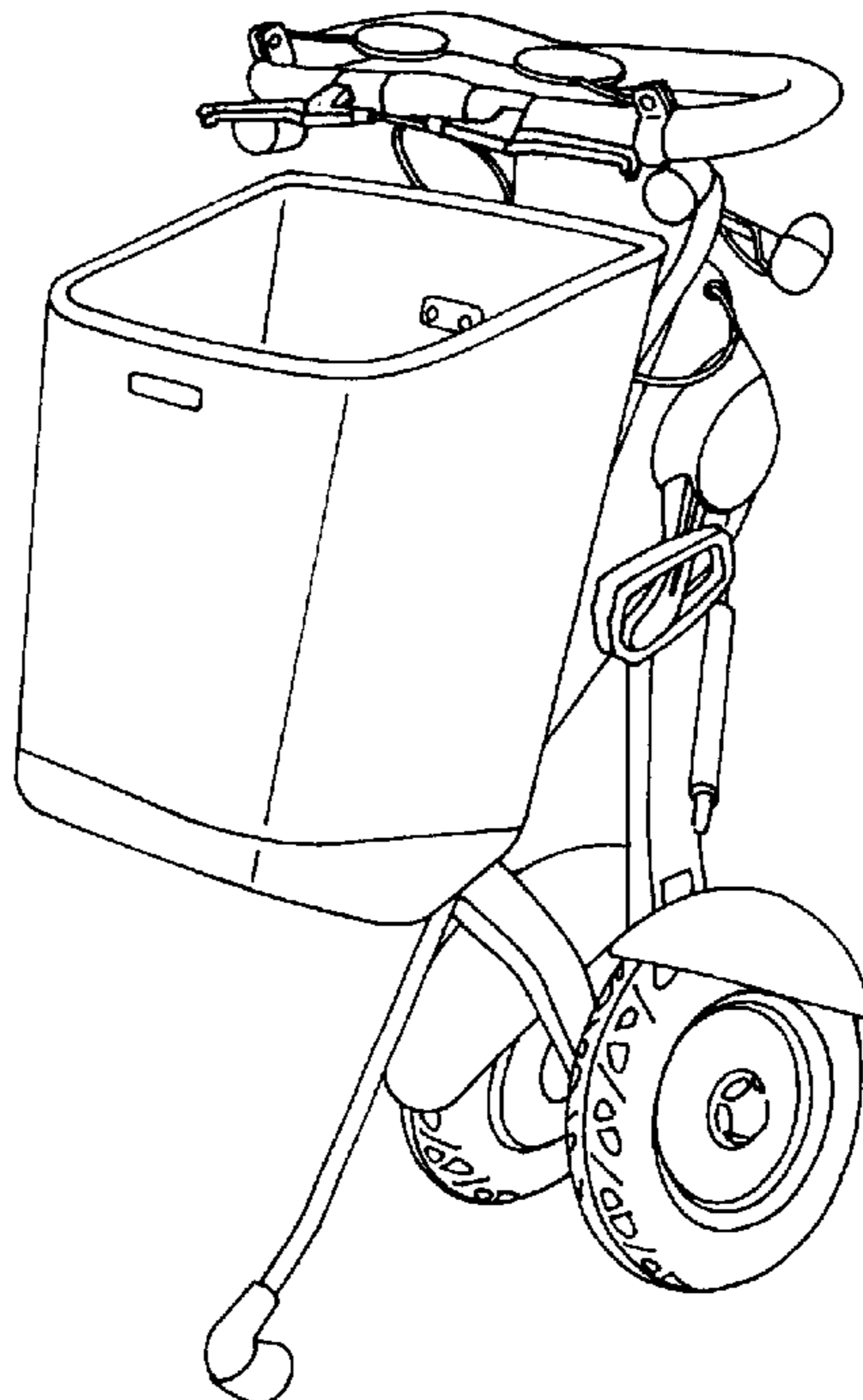


FIG. 13

