



US00D481327S

(12) **United States Design Patent** (10) **Patent No.:** **US D481,327 S**
Ho (45) **Date of Patent:** **** Oct. 28, 2003**

(54) **PENTAGONAL CUTTING DIAMOND**

(75) Inventor: **Chi Kai Nelson Ho**, Kowloon (CN)

(73) Assignee: **Nelson Jewellery Arts Company Ltd.**,
Kowloon (CN)

(**) Term: **14 Years**

(21) Appl. No.: **29/161,747**

(22) Filed: **Jun. 4, 2002**

(51) **LOC (7) Cl.** **11-01**

(52) **U.S. Cl.** **D11/90**

(58) **Field of Search** D11/1, 2, 26-29,
D11/35, 89-92; 63/26-28, 32

(56) **References Cited**

U.S. PATENT DOCUMENTS

D74,127 S	*	12/1927	Varni	D11/90
D304,698 S	*	11/1989	Johnston	D11/90
5,072,549 A	*	12/1991	Johnston	451/41
D369,758 S	*	5/1996	Remidio	D11/90
D375,914 S	*	11/1996	Harris et al.	D11/90
D416,510 S	*	11/1999	Han	D11/90

* cited by examiner

Primary Examiner—Ralf Seifert

(74) *Attorney, Agent, or Firm*—Alix, Yale & Ristas, LLP

(57) **CLAIM**

The ornamental design for a pentagonal cutting diamond, as shown and described.

DESCRIPTION

FIG. 1 is a perspective view of the pentagonal cutting diamond showing my new design;

FIG. 2 is a front view of the pentagonal cutting diamond of FIG. 1;

FIG. 3 is a rear view of the pentagonal cutting diamond of FIG. 1;

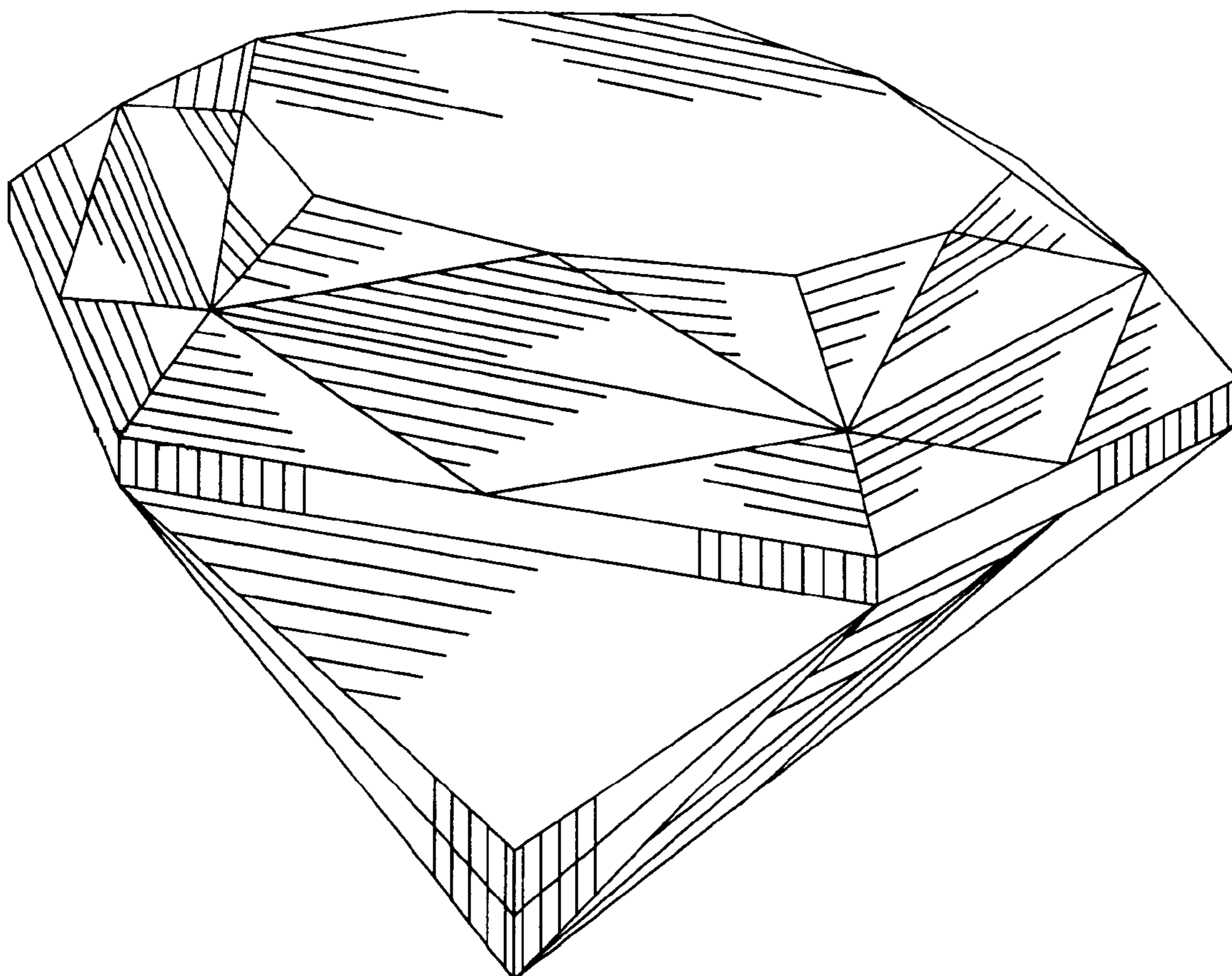
FIG. 4 is a left side view of the pentagonal cutting diamond of FIG. 1;

FIG. 5 is a right side view of the pentagonal cutting diamond of FIG. 1;

FIG. 6 is a top plan view of the pentagonal cutting diamond of FIG. 1; and,

FIG. 7 is a bottom plan view of the pentagonal cutting diamond of FIG. 1.

1 Claim, 4 Drawing Sheets



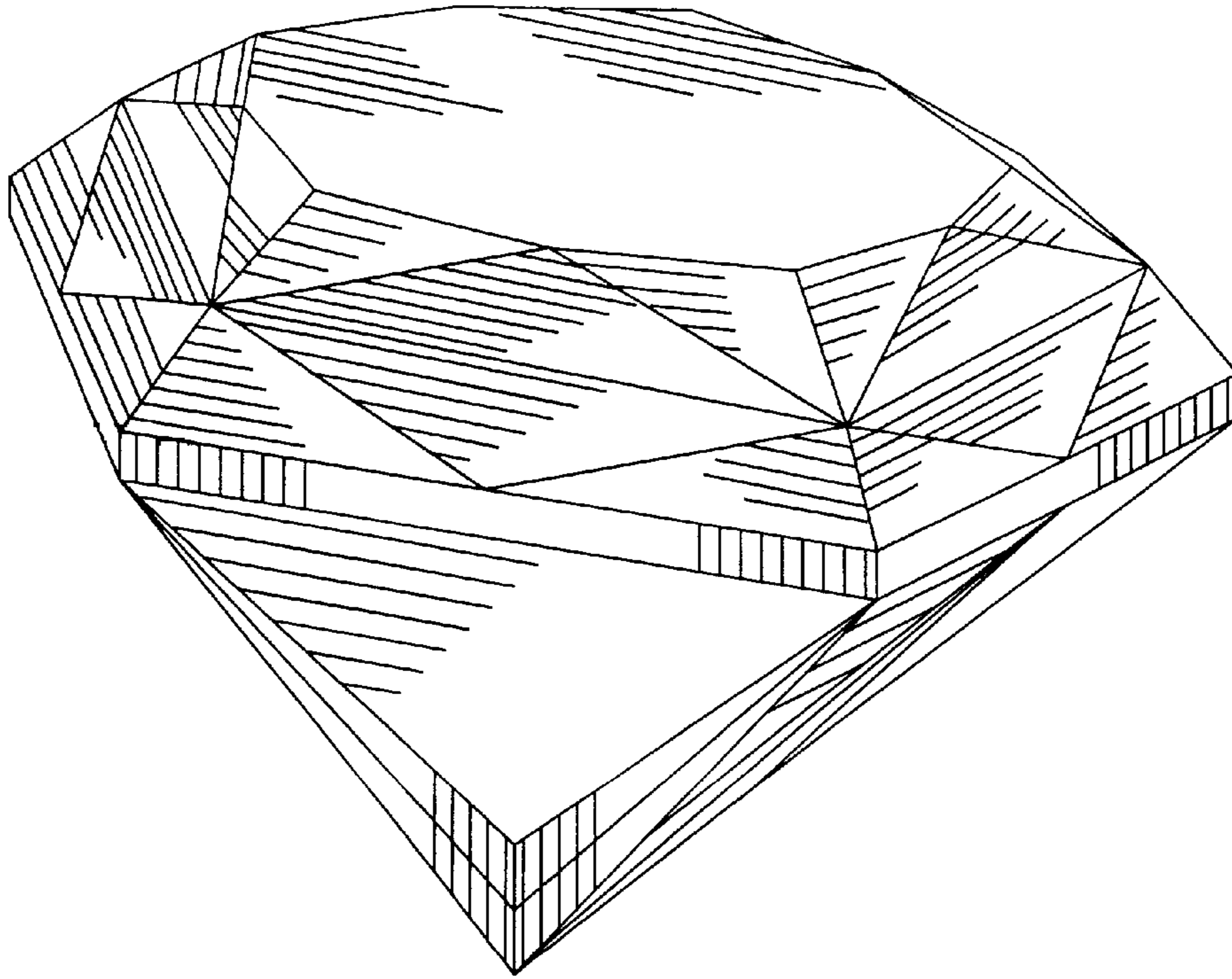


Figure 1

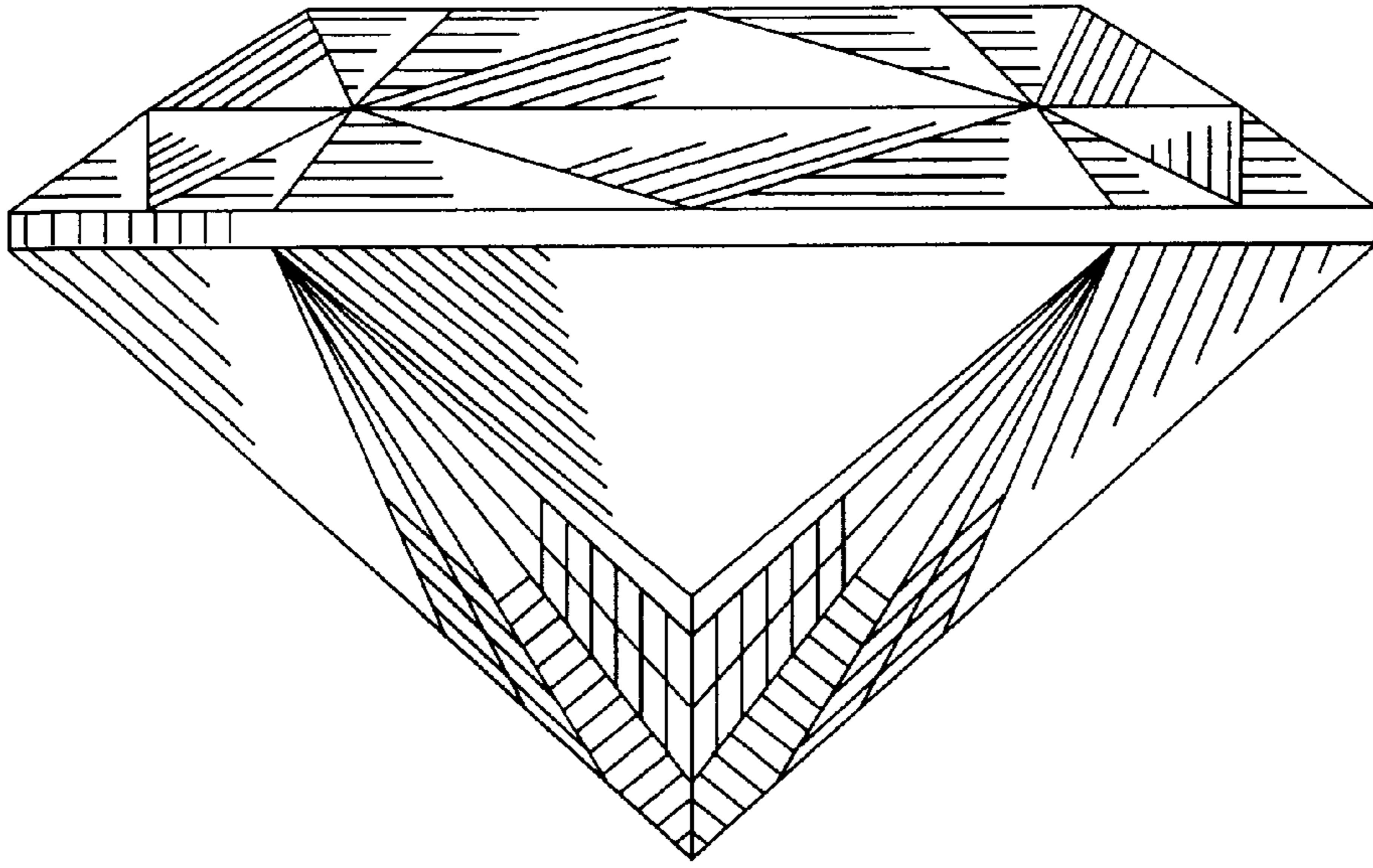


Figure 2

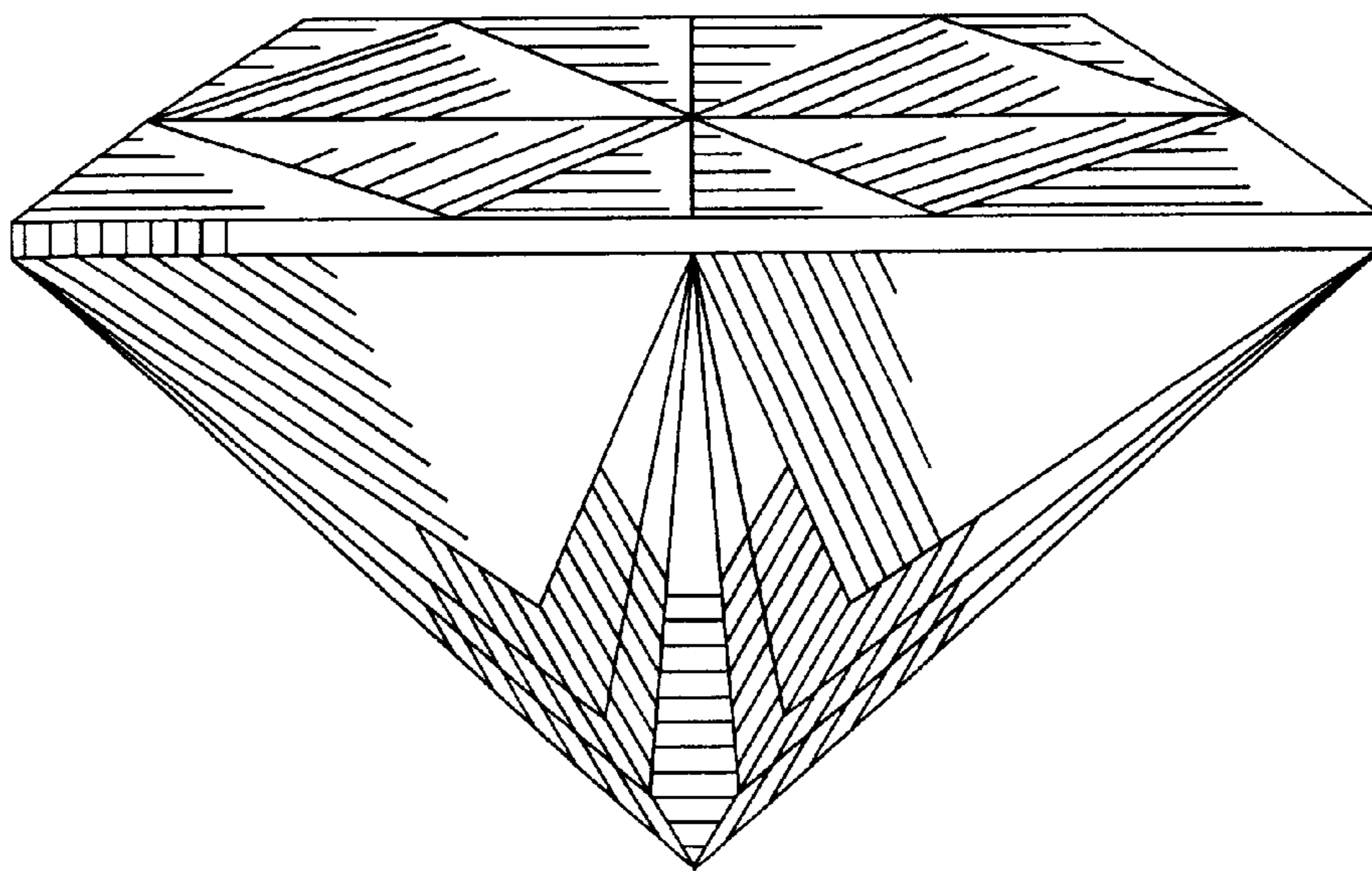


Figure 3

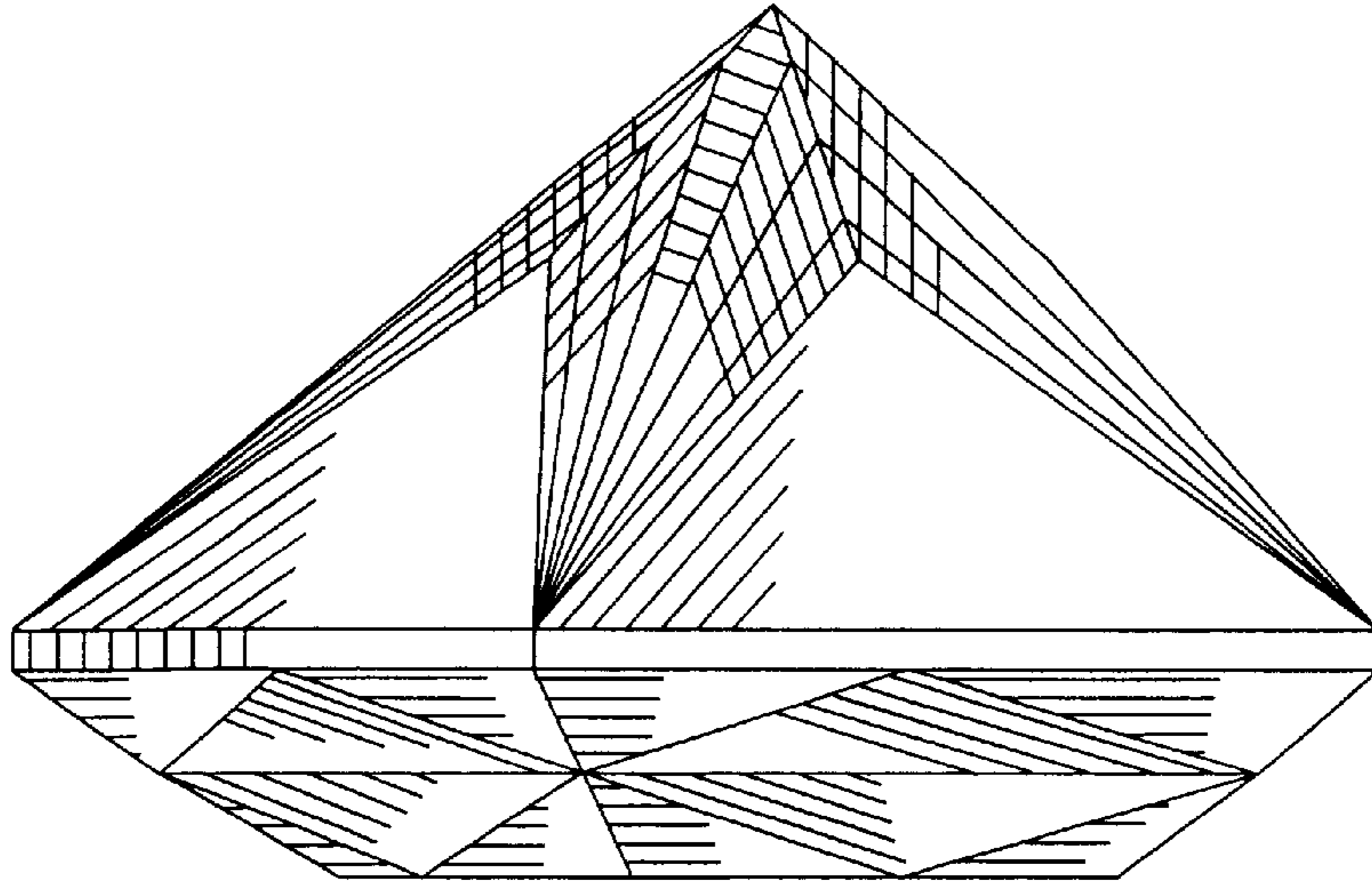


Figure 5

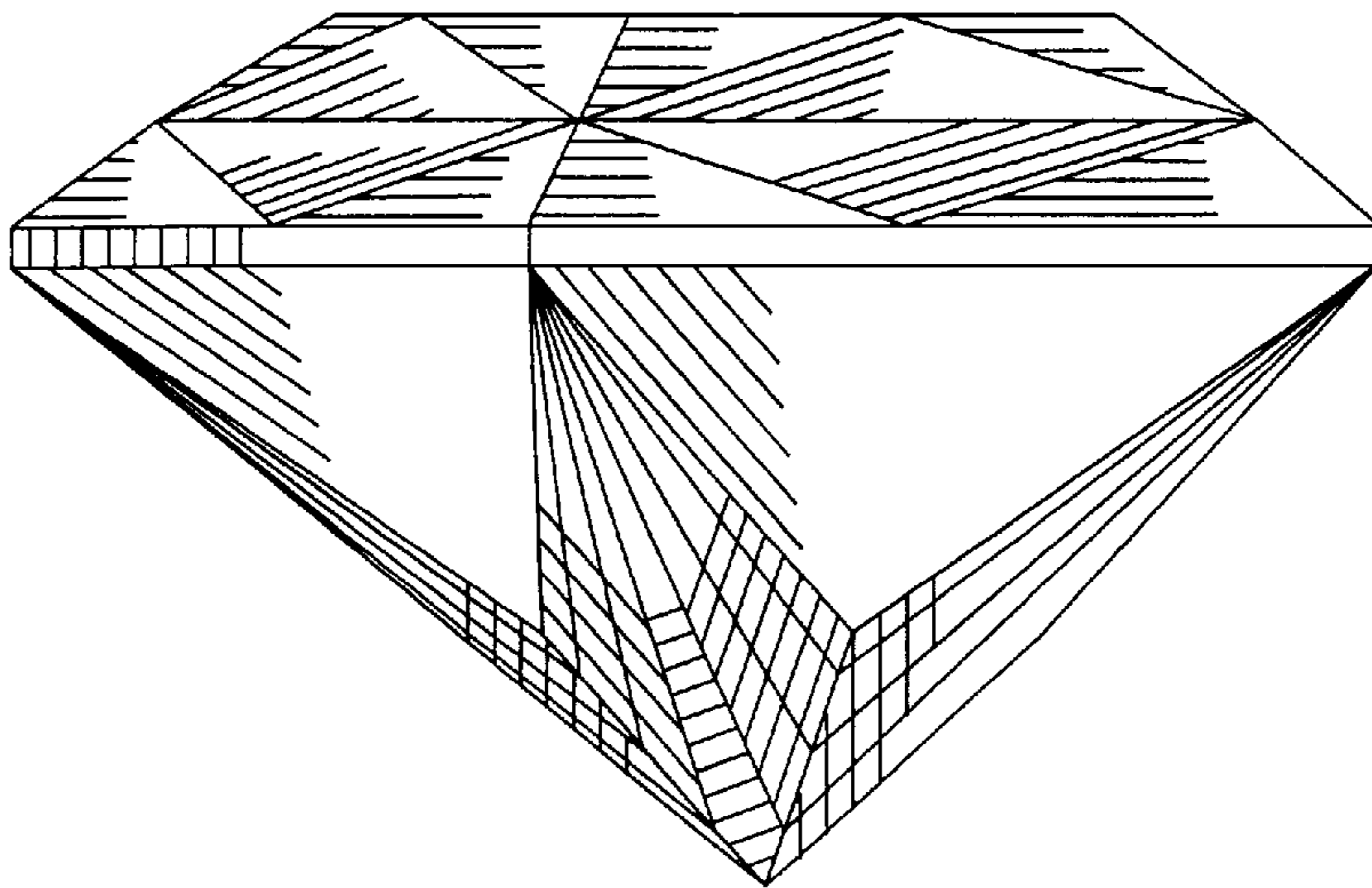


Figure 4

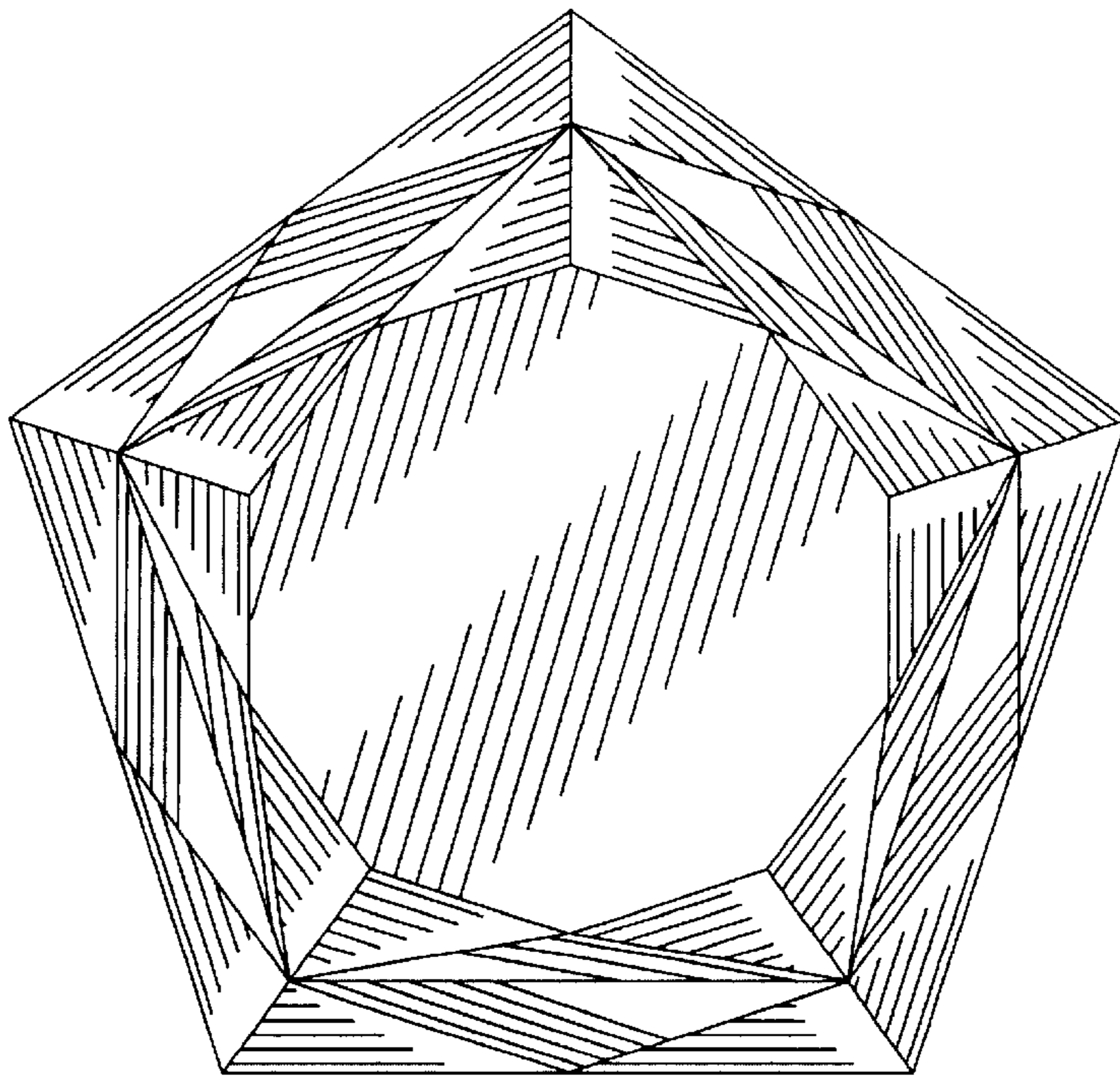


Figure 6

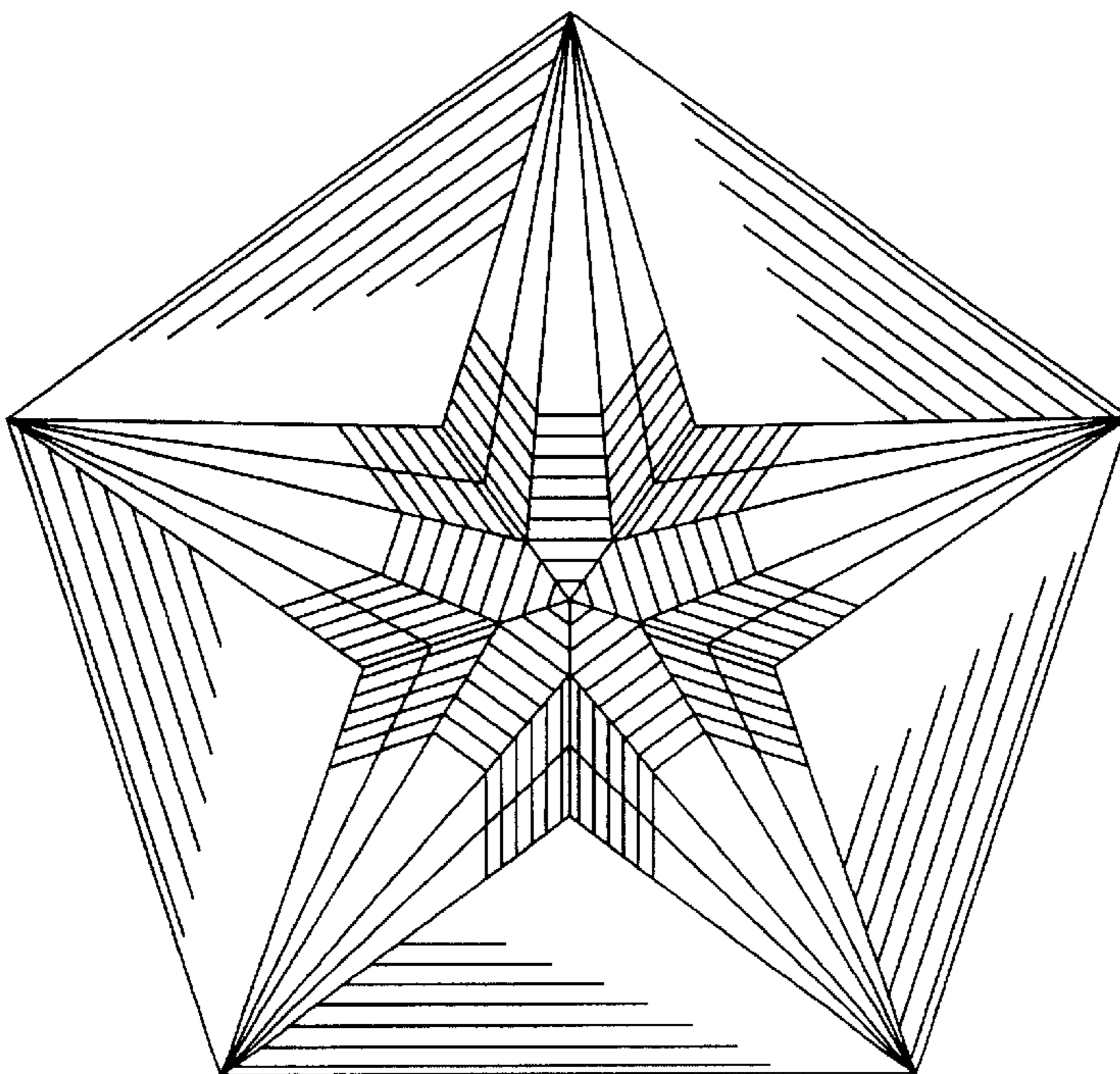


Figure 7