



US00D481325S

(12) **United States Design Patent**
Hill

(10) **Patent No.:** **US D481,325 S**

(45) **Date of Patent:** **** Oct. 28, 2003**

(54) **WATCHBAND**

D454,808 S * 3/2002 Hill D11/4
D469,374 S * 1/2003 Calvani et al. D11/16

(76) Inventor: **Lois Hill**, 1 West 37th St., 7th Floor,
New York, NY (US) 10018

* cited by examiner

(**) Term: **14 Years**

Primary Examiner—Ralf Seifert

(74) *Attorney, Agent, or Firm*—Lackenbach Siegel LLP

(21) Appl. No.: **29/166,487**

(57) **CLAIM**

(22) Filed: **Aug. 28, 2002**

The ornamental design for a watchband, as shown and described.

(51) **LOC (7) Cl.** **11-01**

(52) **U.S. Cl.** **D11/3**

(58) **Field of Search** D11/1-18, 93,
D11/94; 59/78, 80-83; 63/1-4; D10/32

DESCRIPTION

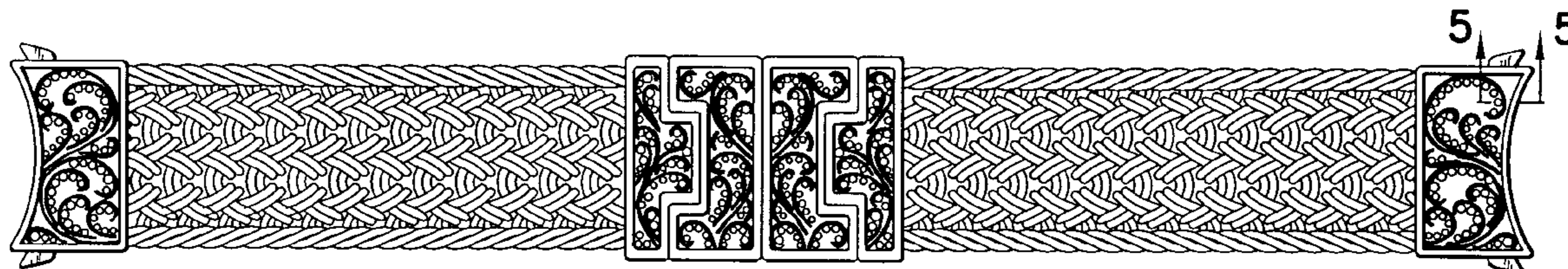
FIG. 1 is a top plan view of the watchband;
FIG. 2 is a front and rear view of the watchband of FIG. 1;
FIG. 3 is a bottom view of the watchband of FIG. 1;
FIG. 4 is a right and left end view of the watchband of FIG. 1; and,
FIG. 5 is a greatly enlarged partial sectional view taken along line 5-5 of FIG. 1.

(56) **References Cited**

U.S. PATENT DOCUMENTS

D72,369 S * 4/1927 Klinke D11/3
D142,939 S * 11/1945 Benbow D11/13
D400,118 S * 10/1998 Itzkowitz D11/4
D438,812 S * 3/2001 Bert D11/3

1 Claim, 3 Drawing Sheets



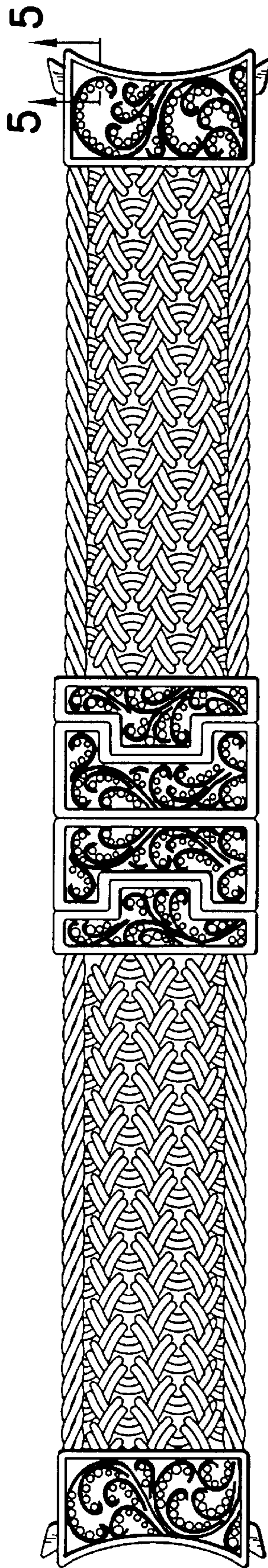


FIG.1

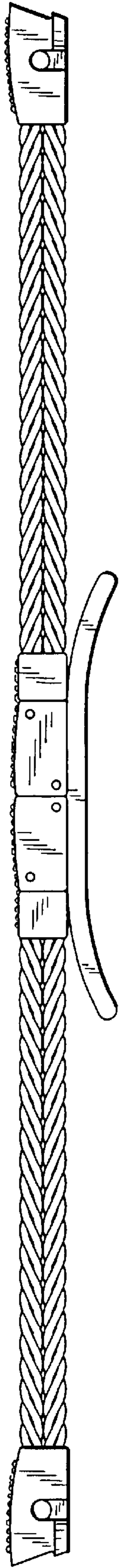


FIG. 2



FIG. 4

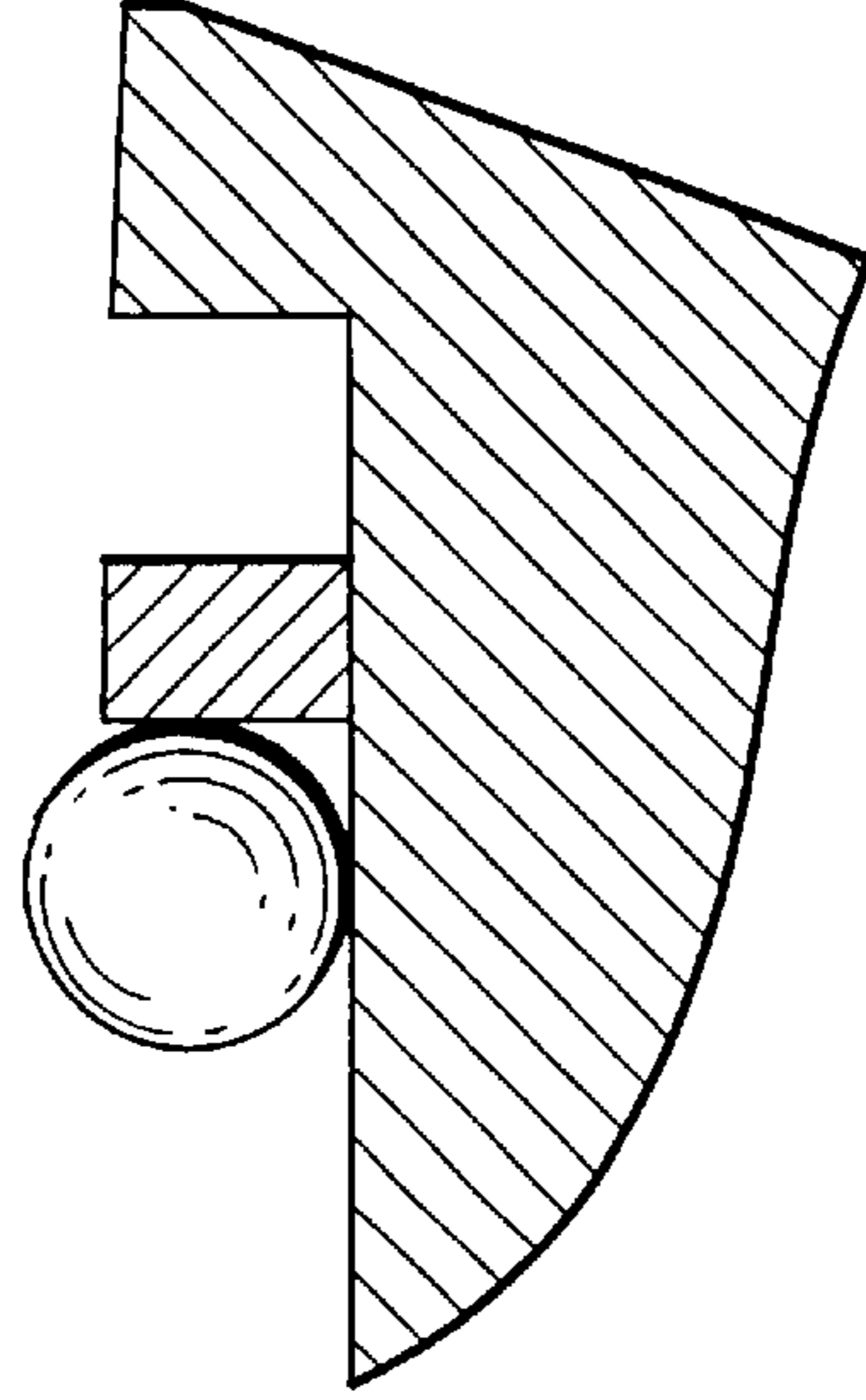


FIG. 5

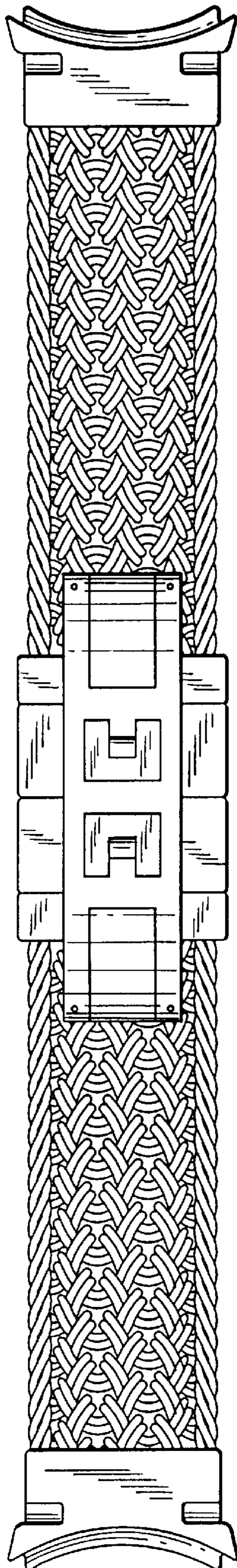


FIG.3