



US00D481324S

(12) **United States Design Patent**
Filiberti

(10) **Patent No.:** **US D481,324 S**

(45) **Date of Patent:** **** Oct. 28, 2003**

(54) **OSCILLATING WEIGHT FOR A WATCH**

FOREIGN PATENT DOCUMENTS

(75) Inventor: **Janik Filiberti**, La Chaux-de-Fonds
(CH)

WO /047774 * 4/1999

* cited by examiner

(73) Assignee: **Zenith International SA**, Le Locle
(CH)

Primary Examiner—Nelson C. Holtje

(74) *Attorney, Agent, or Firm*—Stroock & Stroock & Lavan
LLP

(**) Term: **14 Years**

(21) Appl. No.: **29/167,819**

(57) **CLAIM**

(22) Filed: **Sep. 19, 2002**

The ornamental design for an oscillating weight for a watch,
as shown and described.

(30) **Foreign Application Priority Data**

DESCRIPTION

Mar. 20, 2002 (WO) DM/060 840

(51) **LOC (7) Cl.** **10-07**

(52) **U.S. Cl.** **D10/128**

(58) **Field of Search** D10/122–132;
368/76, 127, 150, 157, 160–161, 169, 297–300,
318, 322–325

FIG. 1 is a perspective view of an oscillating weight for a watch in accordance with the invention, in which the surfaces(s) or portion(s) of the article not shown in the drawings or described in the specification form(s) no part of the claimed design;

FIG. 2 is a front elevational view of an oscillating weight for a watch depicted in FIG. 1;

FIG. 3 is a rear elevational view of the oscillating weight for a watch as depicted in FIG. 1;

FIG. 4 is a left side elevational view of the oscillating weight for a watch as depicted in FIG. 1;

FIG. 5 is a right side elevational view of the oscillating weight for a watch as depicted in FIG. 1;

FIG. 6 is a bottom plan view of the oscillating weight for a watch as depicted in FIG. 1; and,

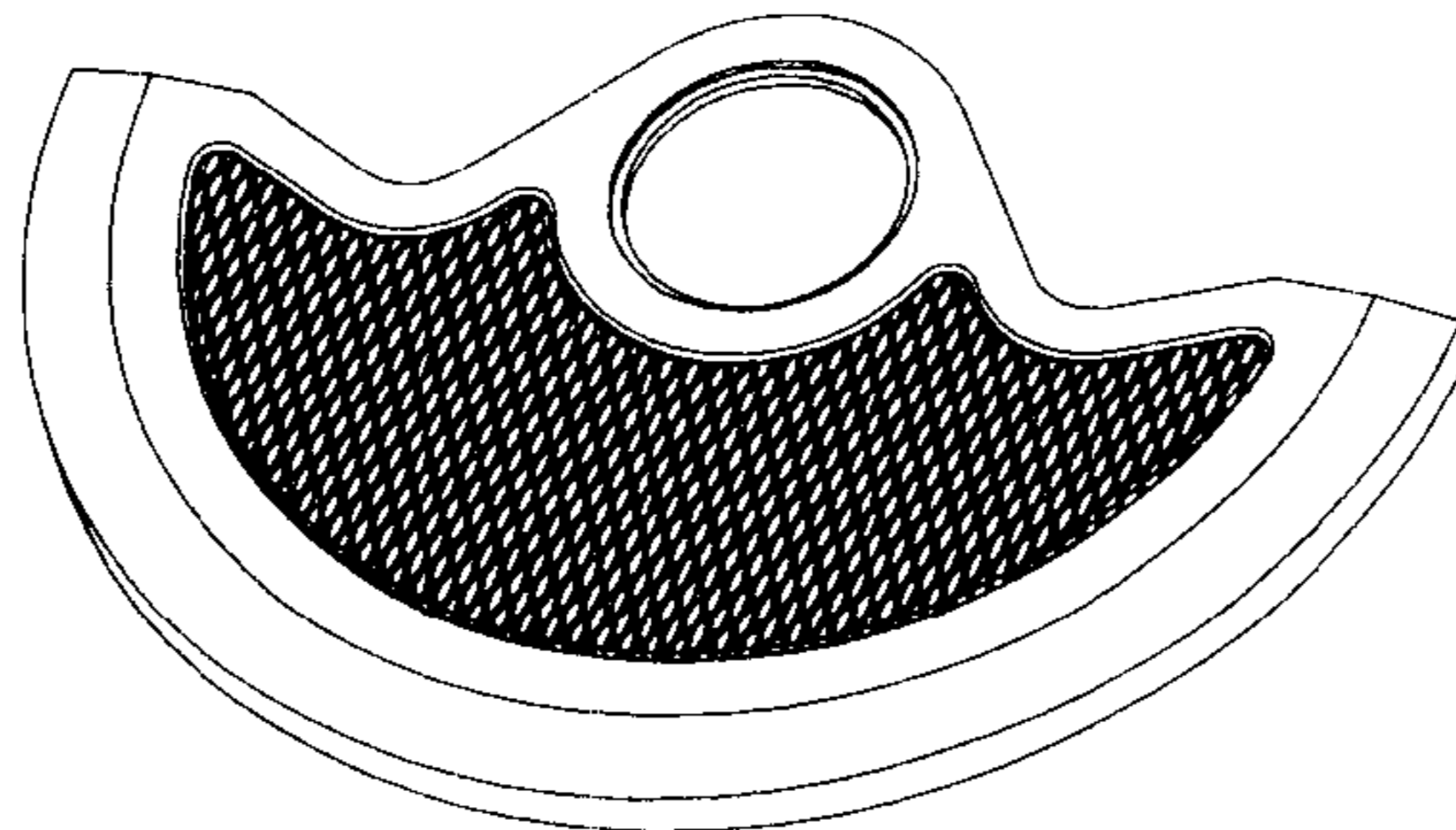
FIG. 7 is a top plan view of the oscillating weight for a watch as depicted in FIG. 1.

(56) **References Cited**

U.S. PATENT DOCUMENTS

D22,054 S	*	12/1892	Billings	D10/123
D25,694 S	*	6/1896	Ball	D10/129
D25,695 S	*	6/1896	Ball	D10/129
3,603,076 A	*	9/1971	Theurillat	368/127
3,670,492 A	*	6/1972	Takamune et al.	368/169
3,813,872 A	*	6/1974	Nakagawa et al.	368/169
4,910,720 A	*	3/1990	Ray et al.	368/148
6,339,306 B1	*	1/2002	Hara	318/696
6,409,379 B1	*	6/2002	Gabathuler et al.	368/150
6,541,882 B2	*	4/2003	Matsuzawa	310/49 R

1 Claim, 7 Drawing Sheets



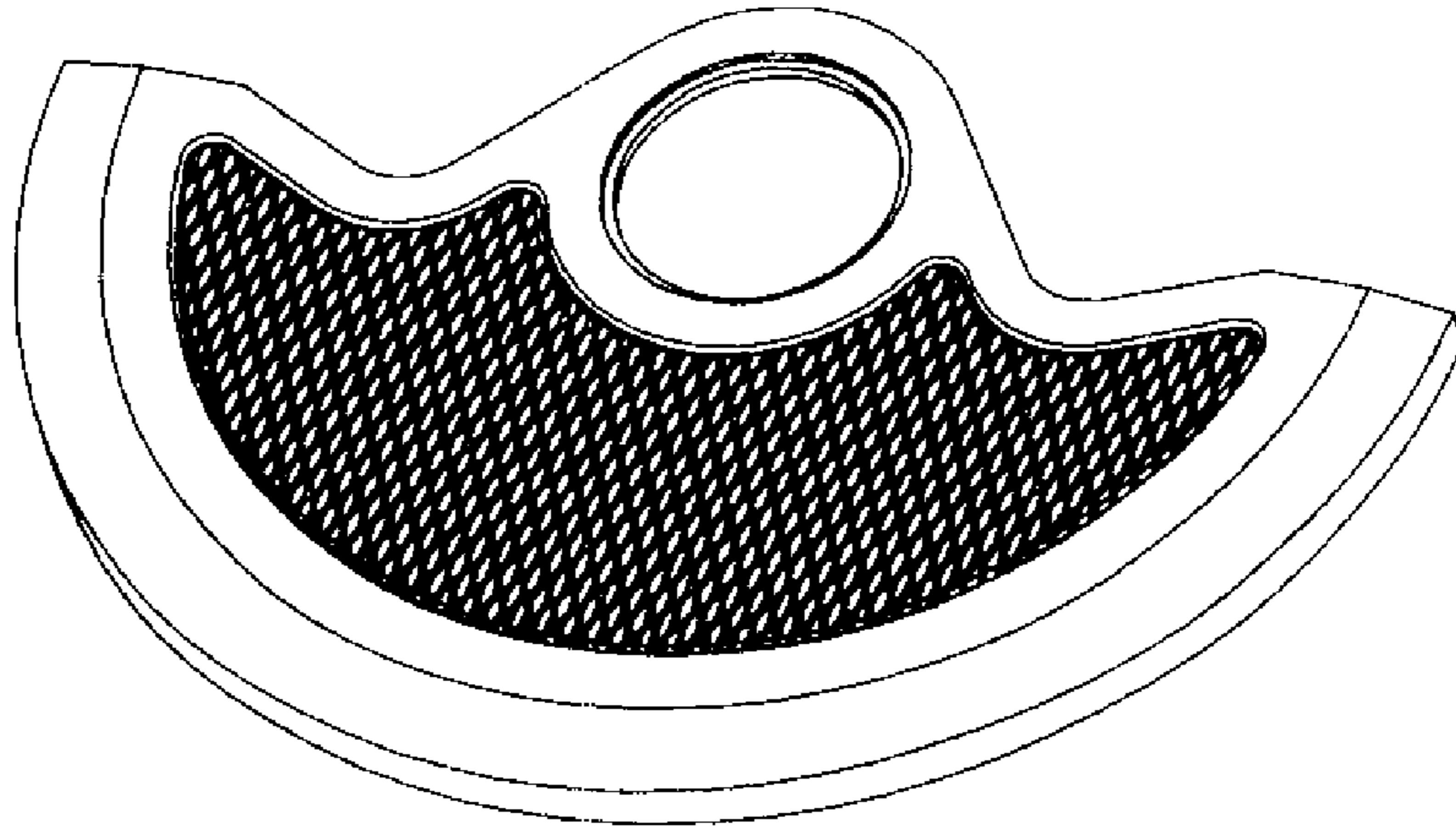


FIG. 1

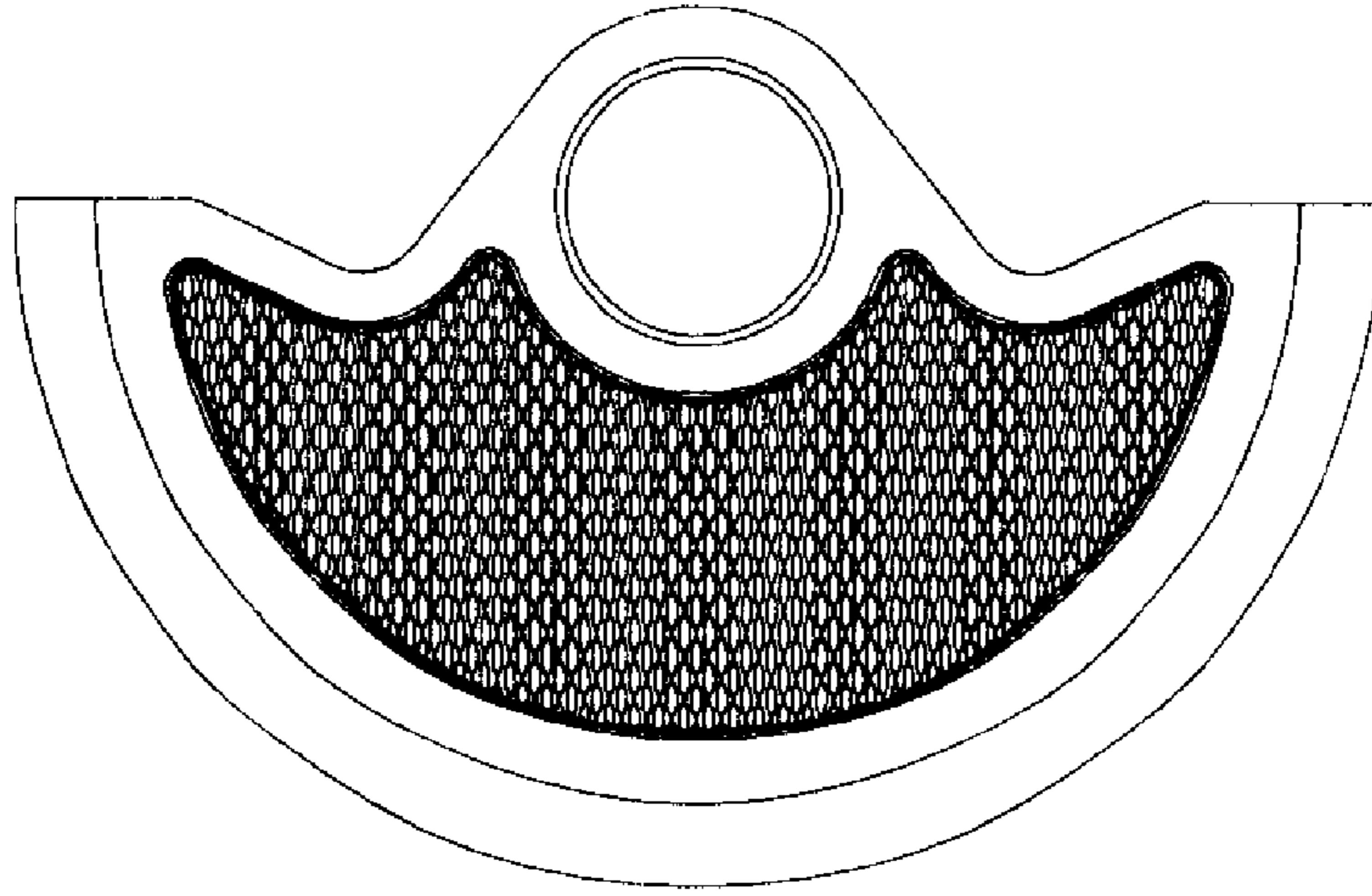


FIG. 2

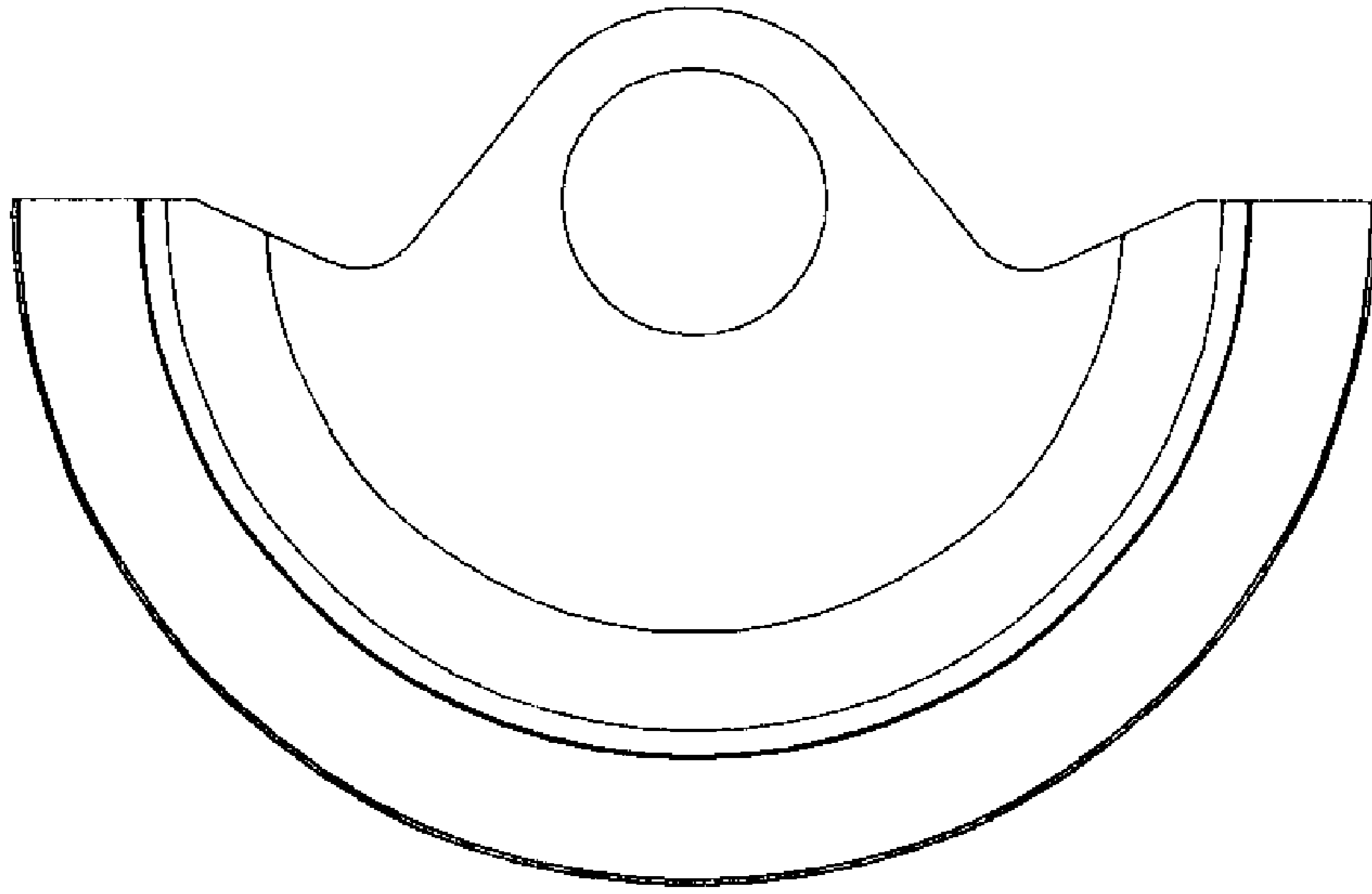


FIG. 3



FIG. 4



FIG. 5

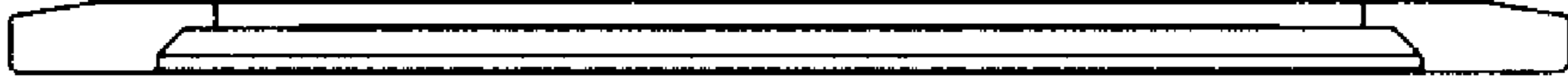


FIG. 6



FIG. 7