



US00D481320S

(12) **United States Design Patent**
Houlihan

(10) **Patent No.:** **US D481,320 S**

(45) **Date of Patent:** **** Oct. 28, 2003**

(54) **CASING FOR A WATCH**

(75) **Inventor:** **John T. Houlihan**, Groton Long Point,
CT (US)

(73) **Assignee:** **Timex Group B.V. (NL)**

(**) **Term:** **14 Years**

(21) **Appl. No.:** **29/174,365**

(22) **Filed:** **Jan. 16, 2003**

(51) **LOC (7) Cl.** **10-02**

(52) **U.S. Cl.** **D10/30**

(58) **Field of Search** D10/30-39, 122-132;
368/82-84, 239-242, 280-282, 276-277,
10-11

D432,026 S * 10/2000 Di Tullo et al. D10/30
D432,435 S * 10/2000 Ramos, Jr. et al. D10/30
D457,076 S * 5/2002 Roales D10/30
D459,662 S 7/2002 Ramos, Jr.
D465,162 S 11/2002 Houlihan

OTHER PUBLICATIONS

Timex 2002 Update Catalog, p. 4, Style Nos. T54071 and
T54081.

* cited by examiner

Primary Examiner—Nelson C. Holtje

(74) *Attorney, Agent, or Firm*—Carmody & Torrance LLP

(57) **CLAIM**

The ornamental design for a casing for a watch, as shown
and described.

(56) **References Cited**

U.S. PATENT DOCUMENTS

D339,304 S * 9/1993 Kawashima D10/39
D355,376 S * 2/1995 Nakai D10/38
D371,307 S * 7/1996 Tomita et al. D10/38
D382,210 S * 8/1997 Secci D10/30
D386,691 S * 11/1997 Szekley D10/30
D388,000 S * 12/1997 Molineri D10/30
D416,812 S 11/1999 Houlihan et al.
D417,401 S 12/1999 Houlihan et al.

DESCRIPTION

FIG. 1 is a top plan view of a casing for a watch showing my
new design;

FIG. 2 is a right side elevational view thereof;

FIG. 3 is a left side elevational view thereof;

FIG. 4 is a first end elevational view thereof;

FIG. 5 is a second end elevational view thereof; and,

FIG. 6 is a bottom plan view.

1 Claim, 3 Drawing Sheets

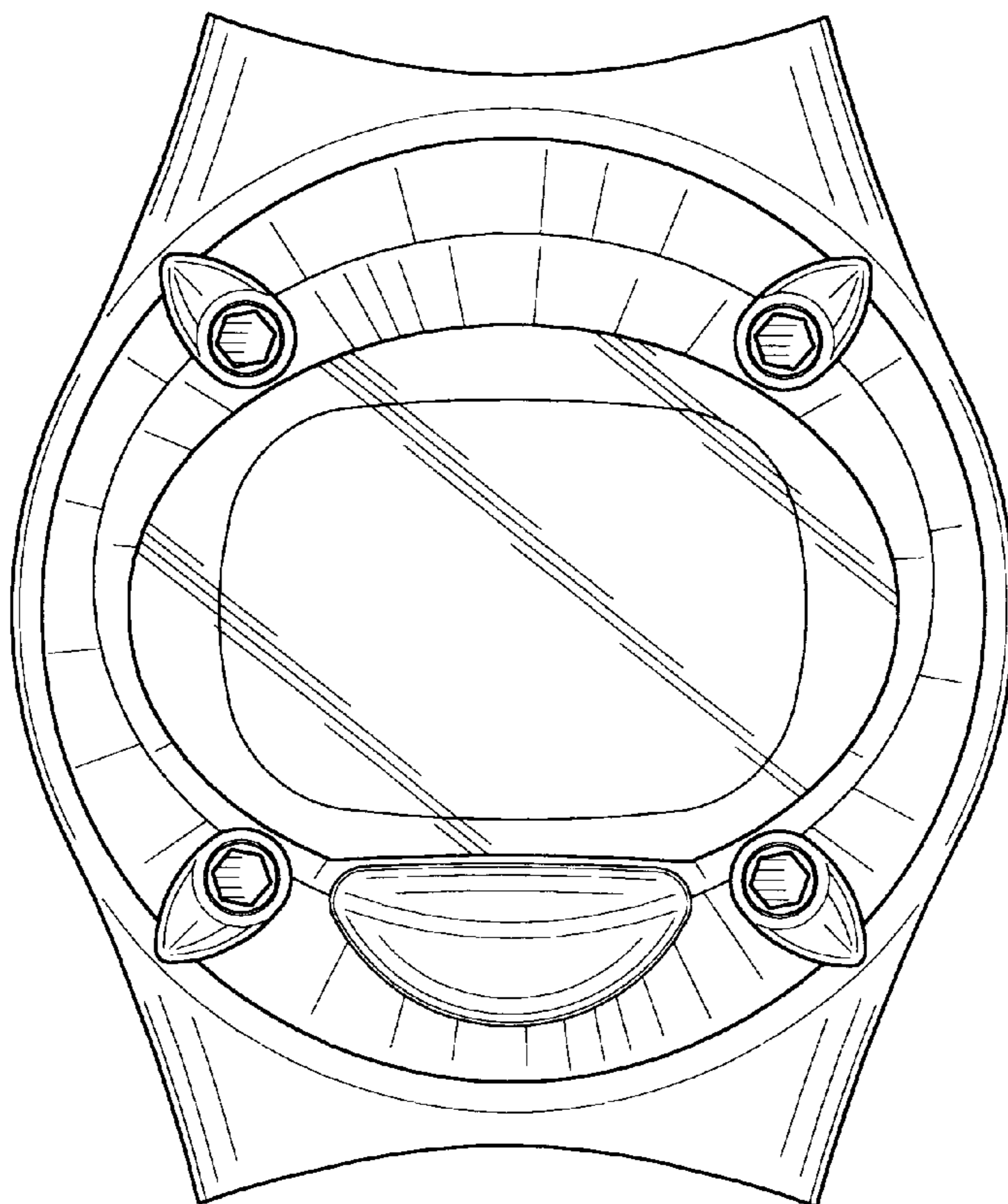


FIG.1

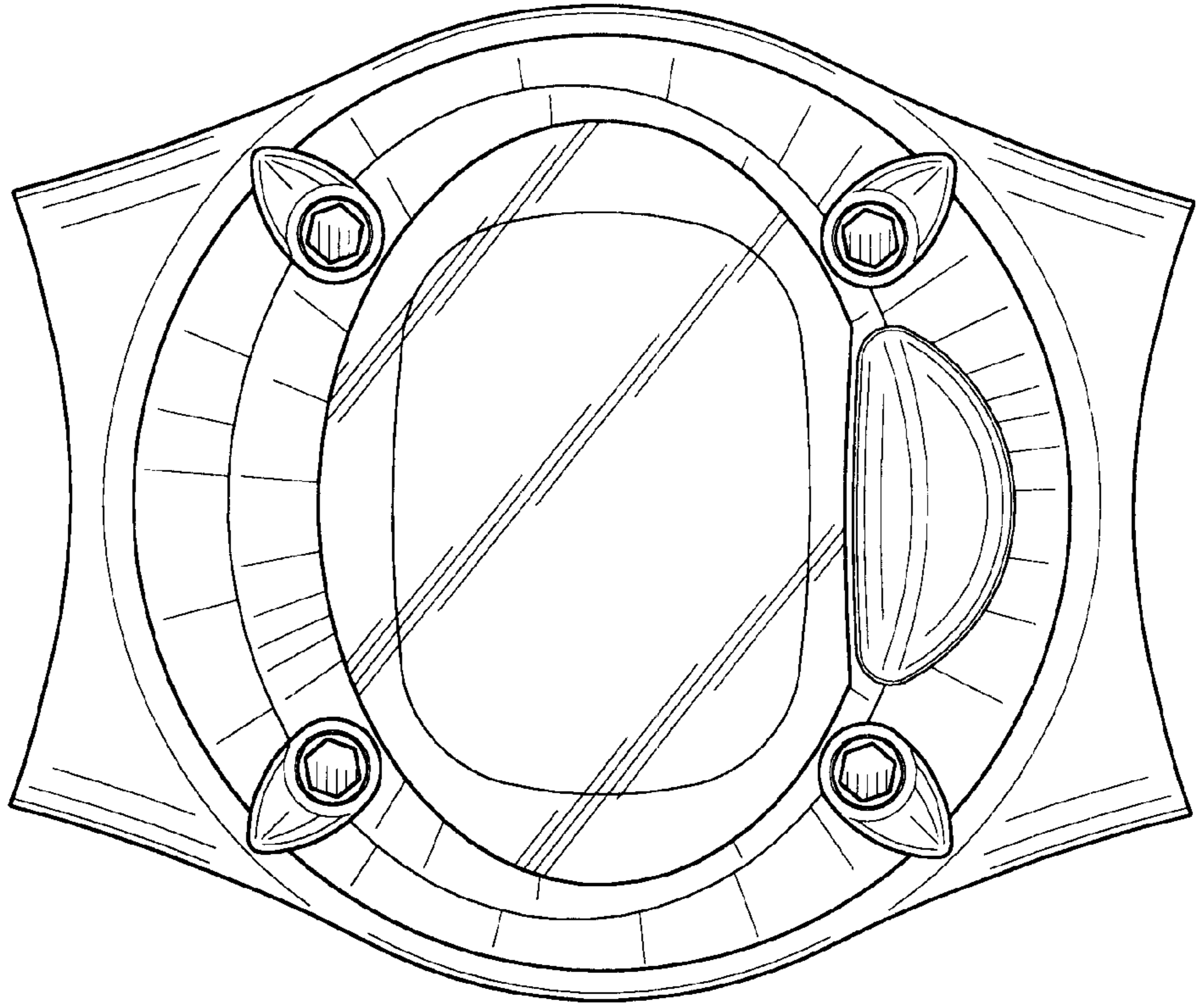


FIG.2

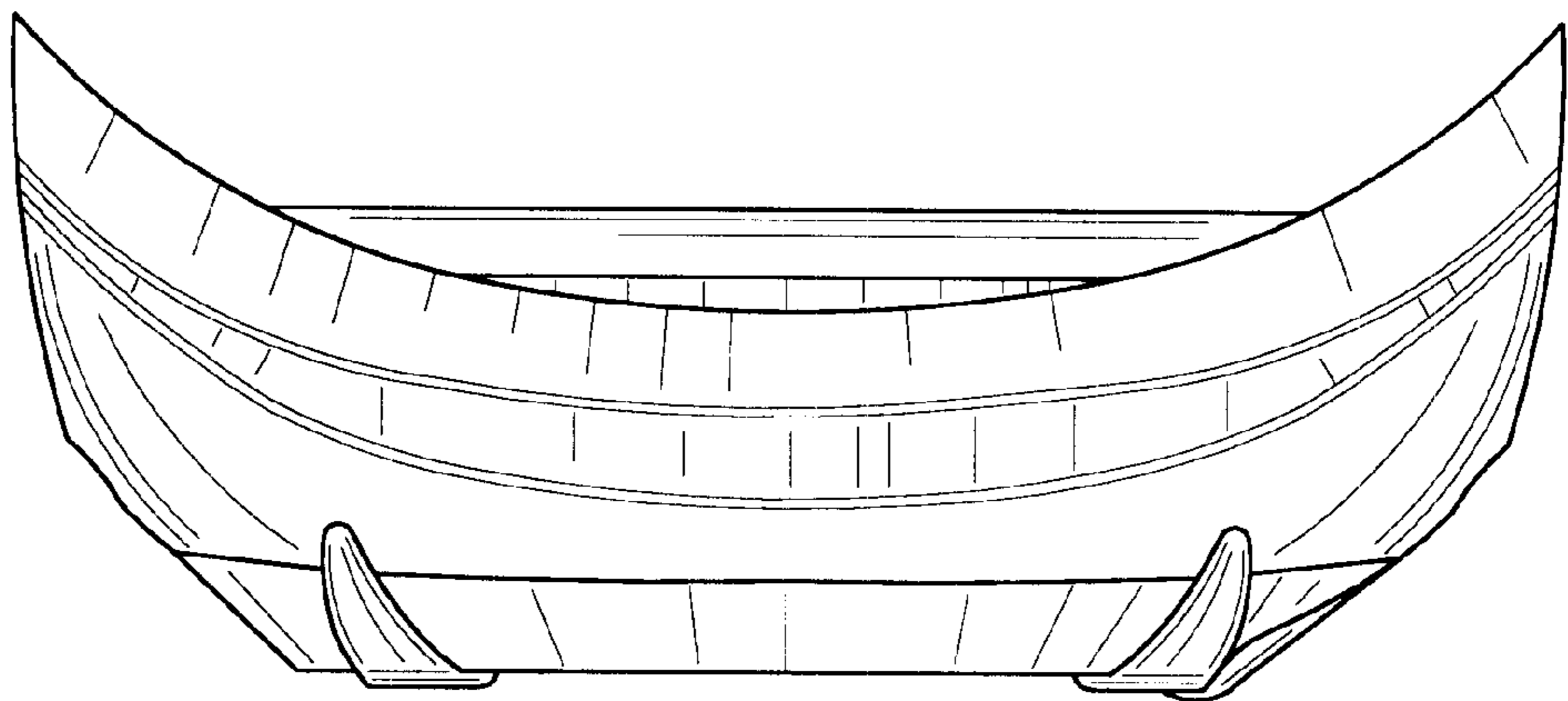


FIG.4

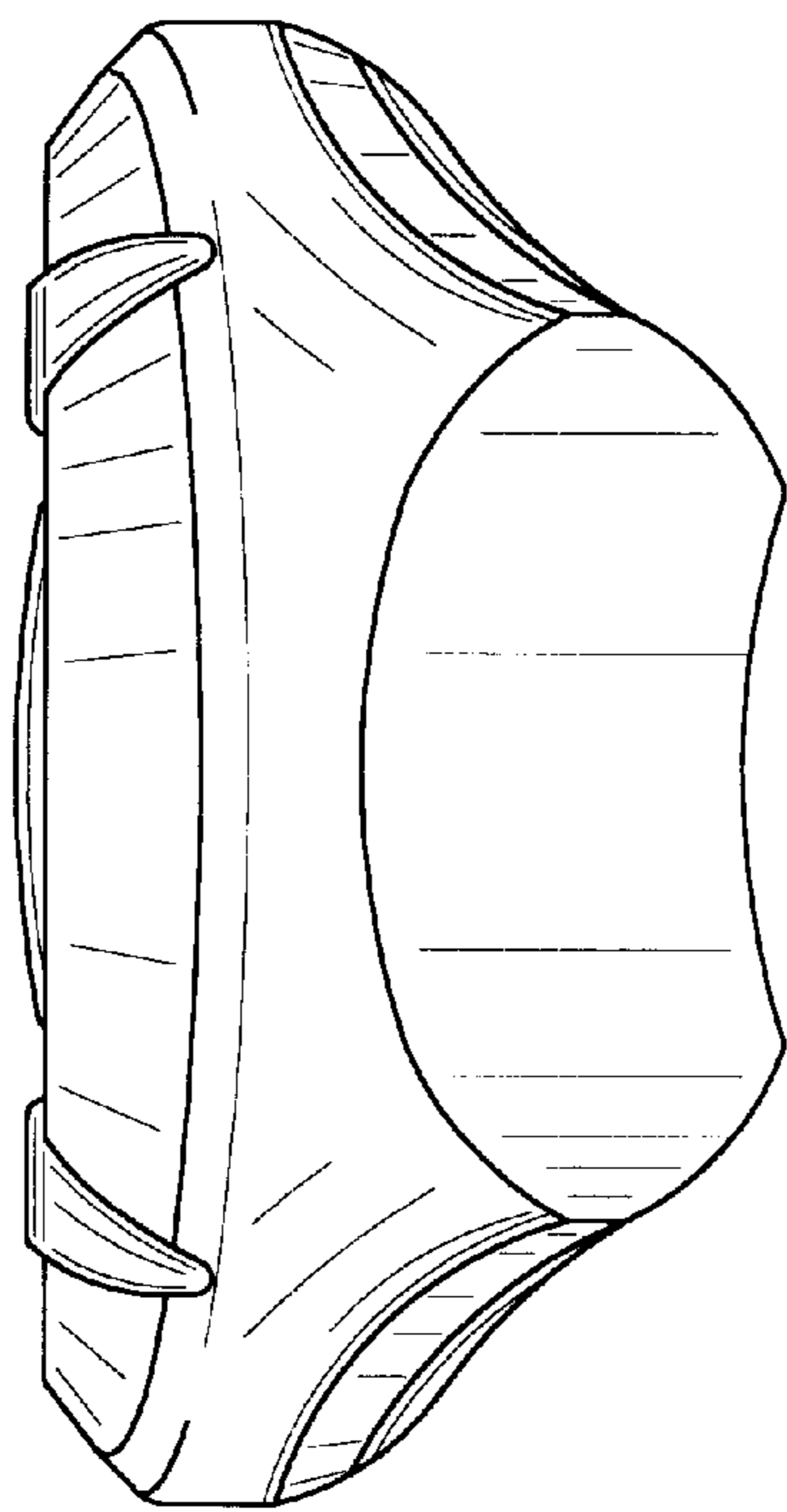


FIG.5

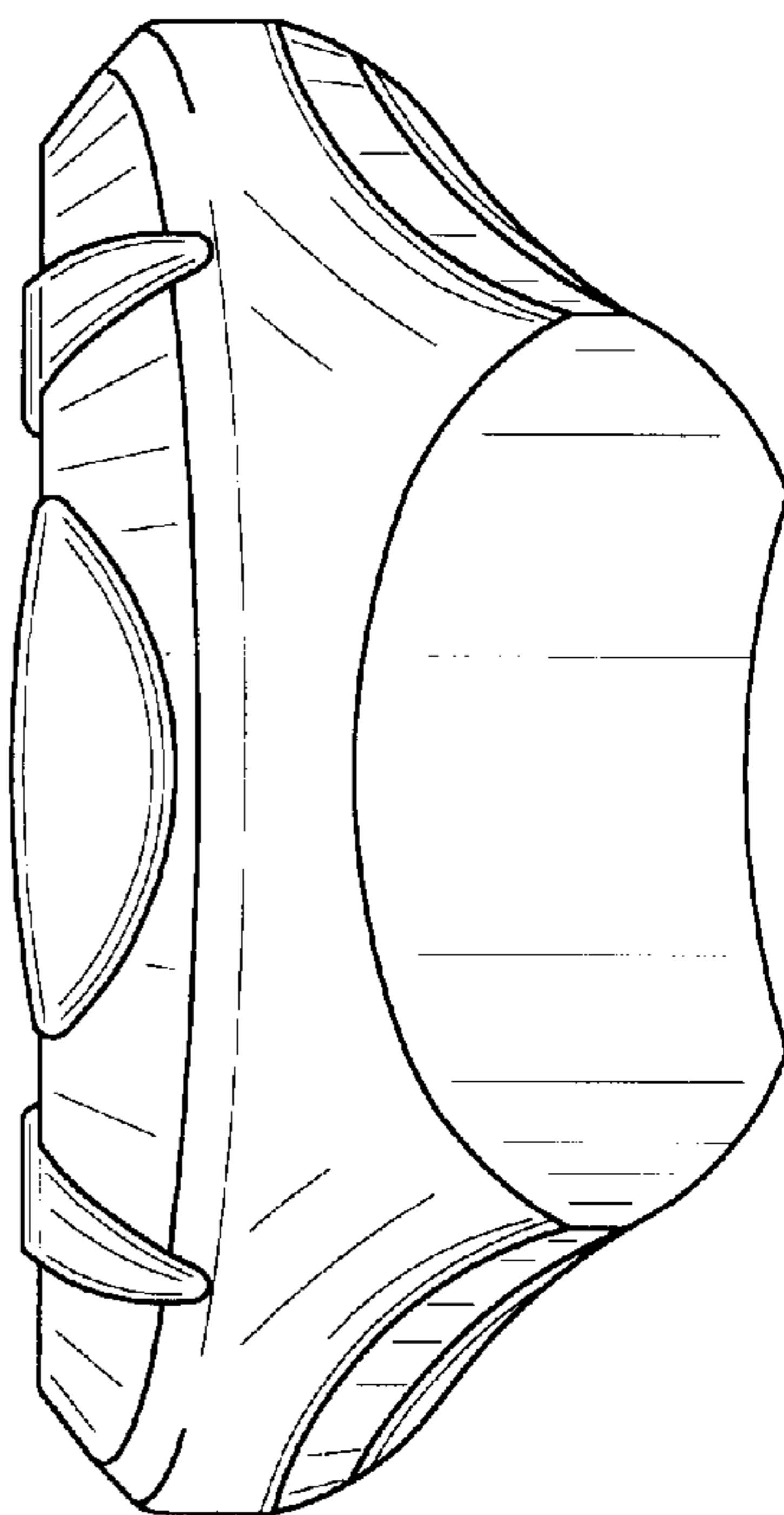


FIG.3

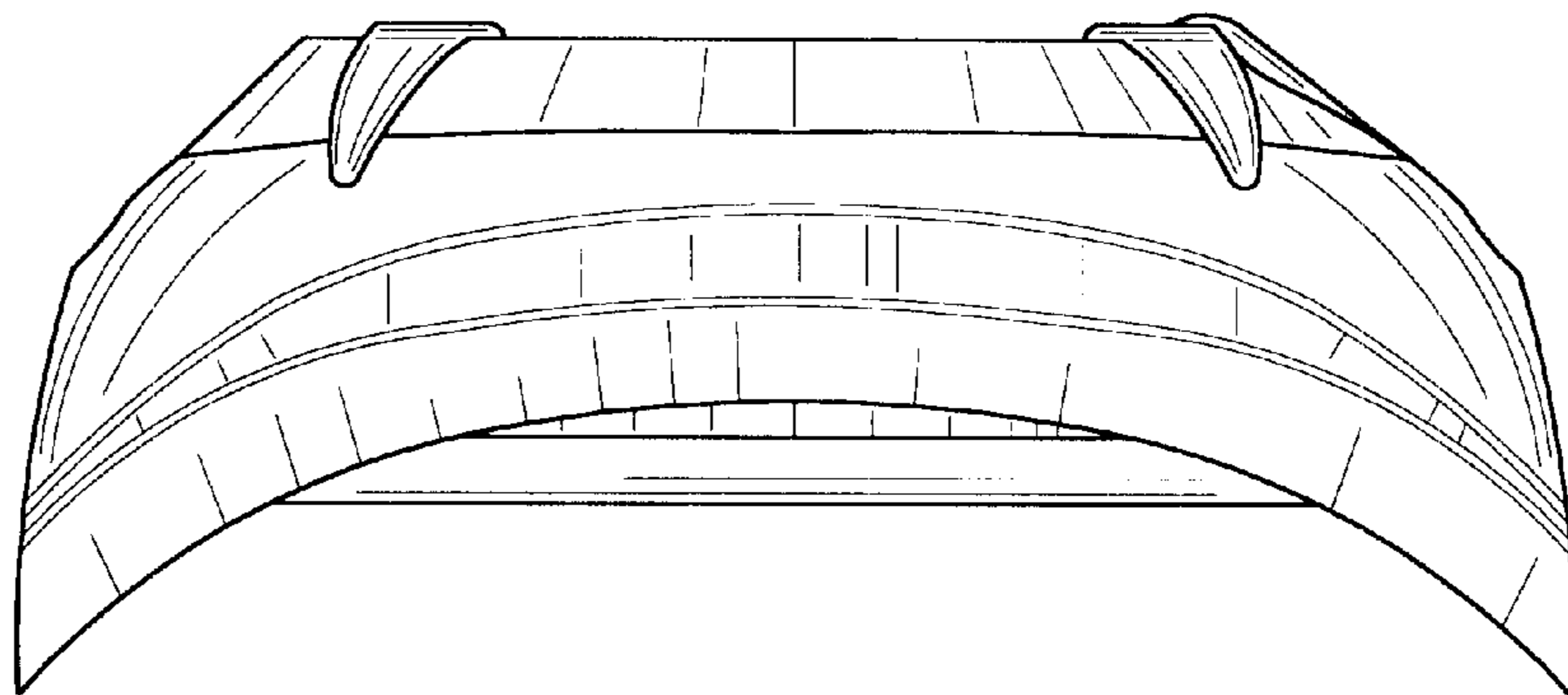


FIG. 6

