



US00D481317S

(12) **United States Design Patent**
Corker et al.

(10) **Patent No.:** **US D481,317 S**

(45) **Date of Patent:** **** Oct. 28, 2003**

(54) **BOTTLE**

(75) Inventors: **Lesley S. Corker**, Atlanta, GA (US);
Brian D. Tyree, Douglasville, GA
(US); **Michael L. Vaughn**, Marietta,
GA (US)

(73) Assignee: **Ball Corporation**, Broomfield, CO
(US)

(**) Term: **14 Years**

(21) Appl. No.: **29/172,385**

(22) Filed: **Dec. 11, 2002**

(51) **LOC (7) Cl.** **09-01**

(52) **U.S. Cl.** **D9/502; D9/539; D9/557**

(58) **Field of Search** D9/300, 500-502,
D9/516, 519-520, 530, 537-539, 541-543,
548-549, 551-552, 556-559, 564, 565,
567-570; 215/379-383, 400

(56) **References Cited**

U.S. PATENT DOCUMENTS

D306,967 S * 4/1990 Matsuura et al. D9/502
D379,306 S * 5/1997 Peykoff D9/502

D381,913 S * 8/1997 Abfier et al. D9/502
D396,640 S * 8/1998 Conrad et al. D9/502
D404,306 S * 1/1999 Steinke D9/502
D410,197 S * 5/1999 Herrin et al. D9/502
6,065,624 A * 5/2000 Steinke 215/383

* cited by examiner

Primary Examiner—Sandra L. Morris

(74) *Attorney, Agent, or Firm*—Brinks Hofer Gilson &
Lione

(57) **CLAIM**

We claim the ornamental design for a bottle, as shown and
described.

DESCRIPTION

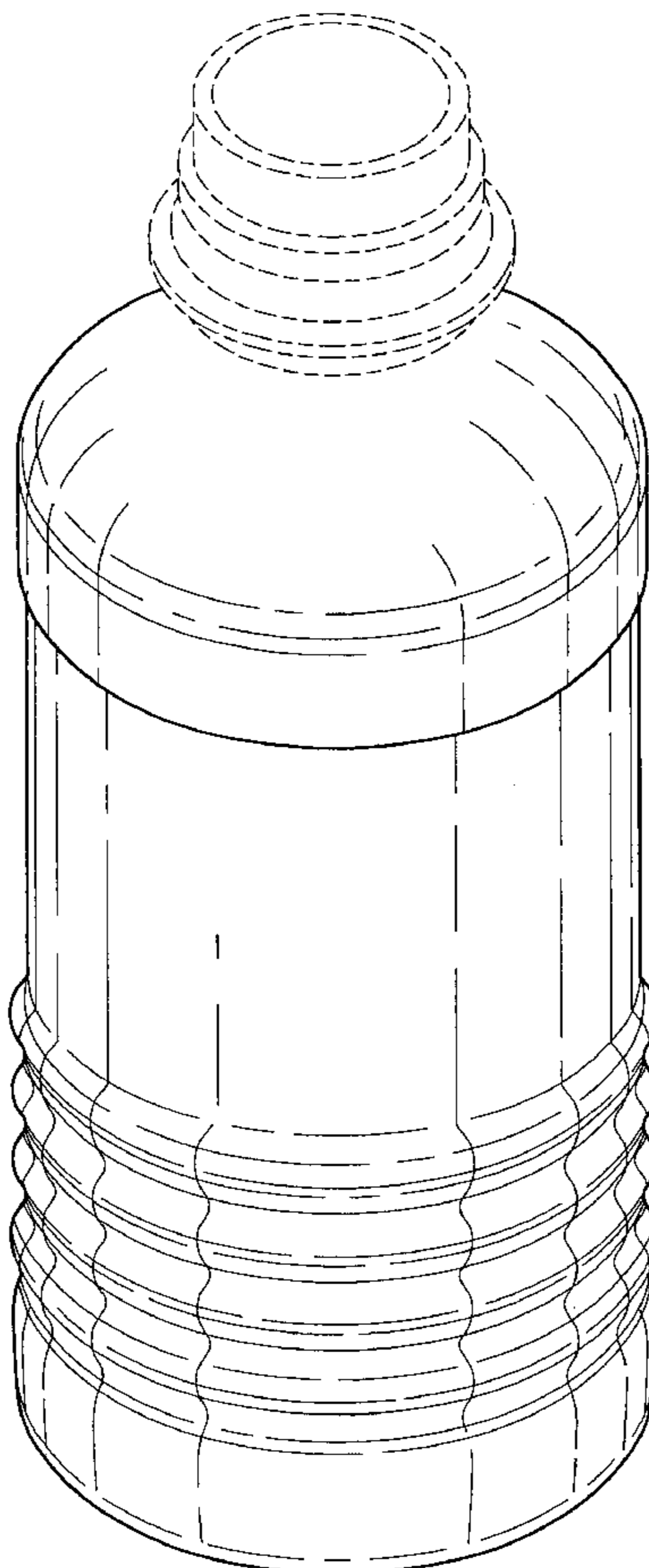
FIG. 1 is a side elevation view of a bottle showing the
present invention, the opposite side being identical, the
portions shown in phantom forming no portion of the
ornamental design.

FIG. 2 is a plan view from the bottom of FIG. 1.

FIG. 3 is a plan view from the top of FIG. 1; and,

FIG. 4 is an elevated perspective view of the bottle shown
in FIG. 1.

1 Claim, 2 Drawing Sheets



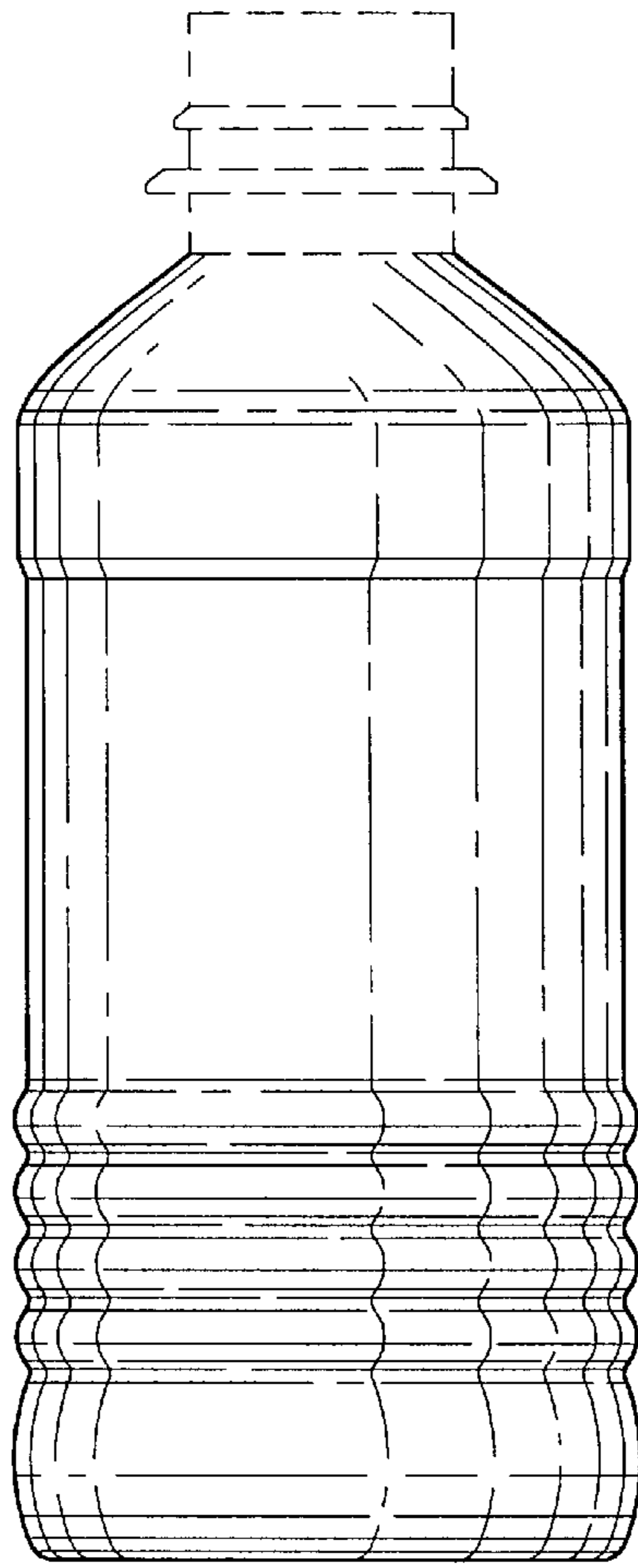


Fig. 1

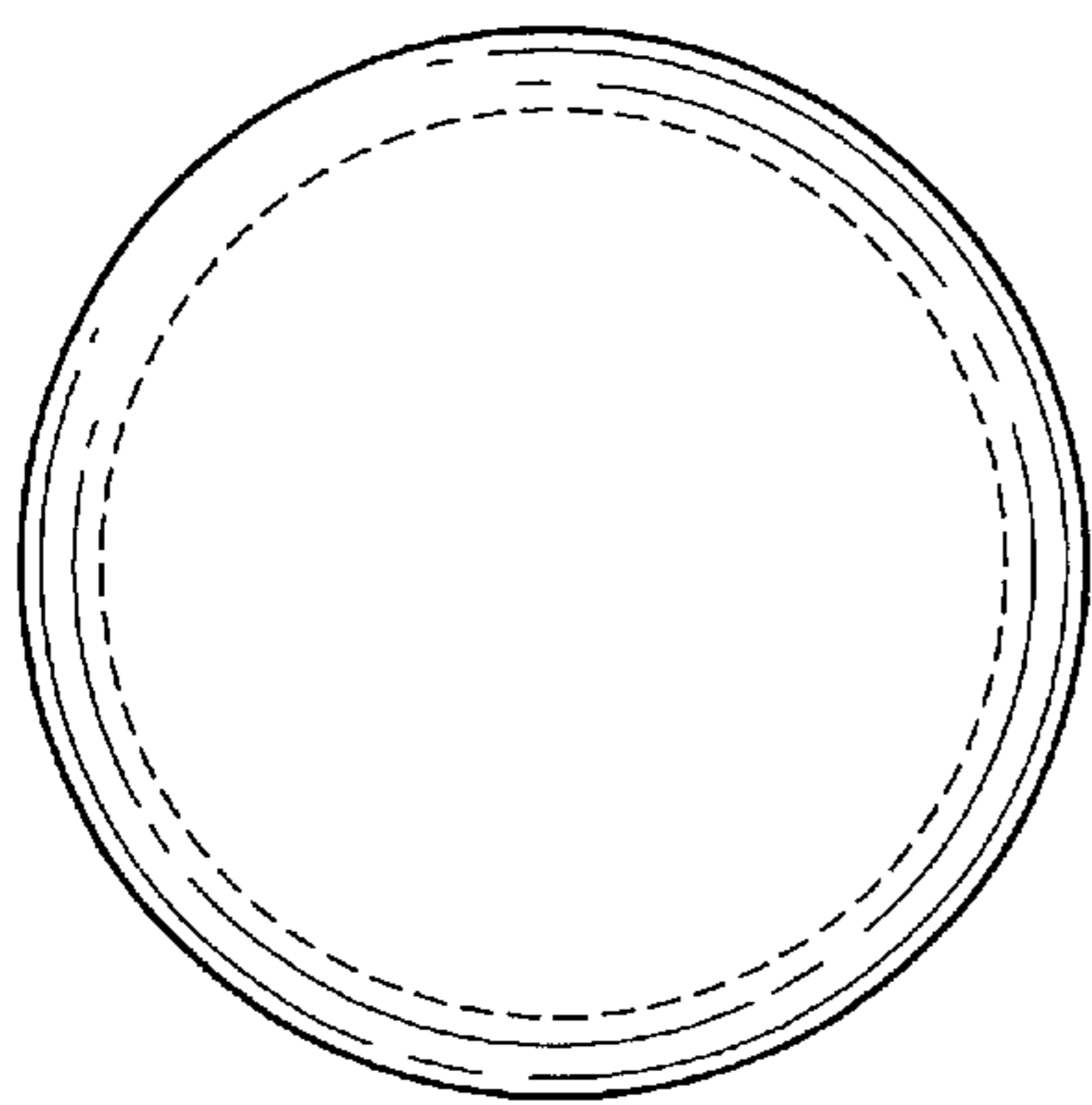


Fig. 2

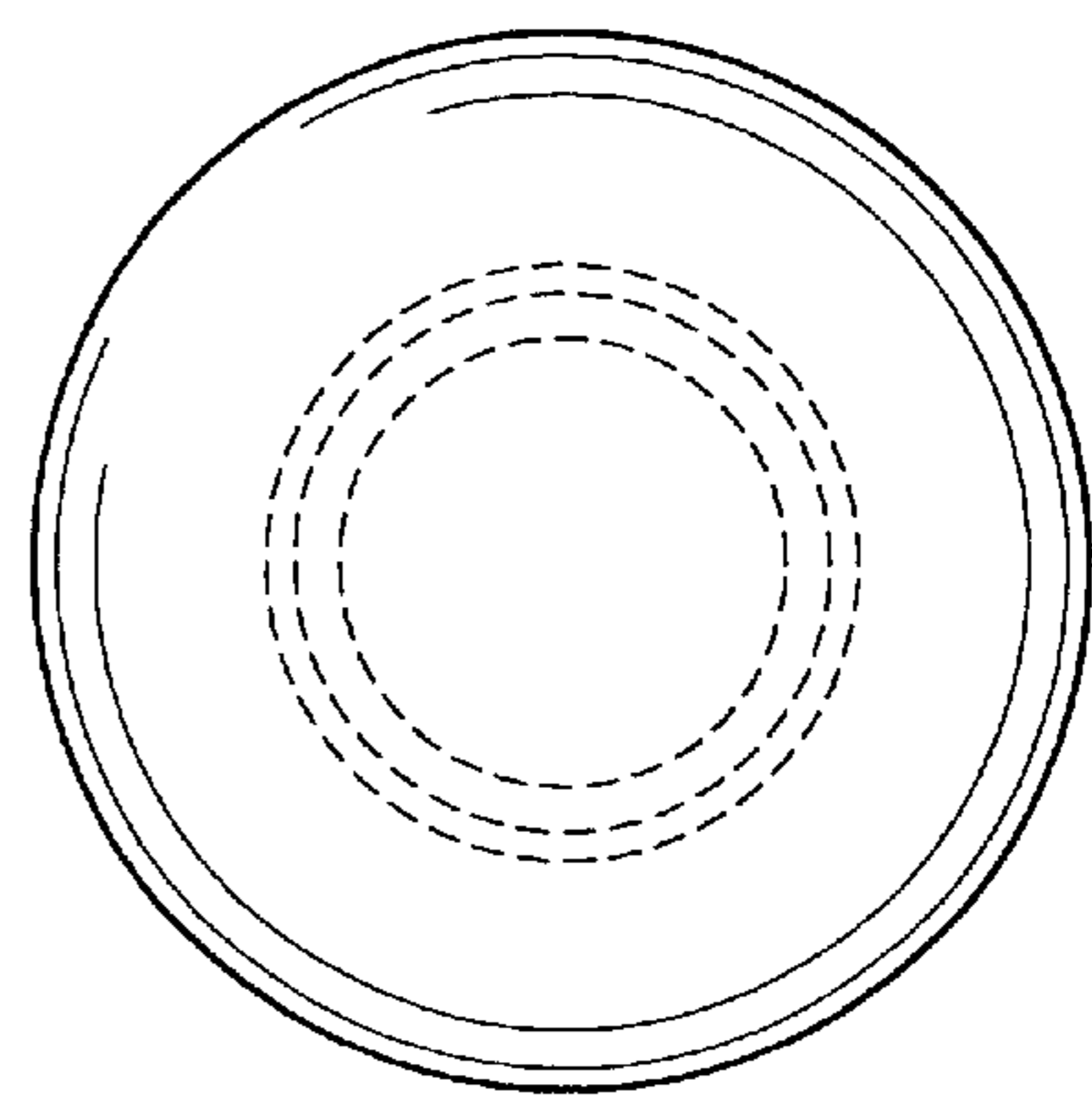


Fig. 3

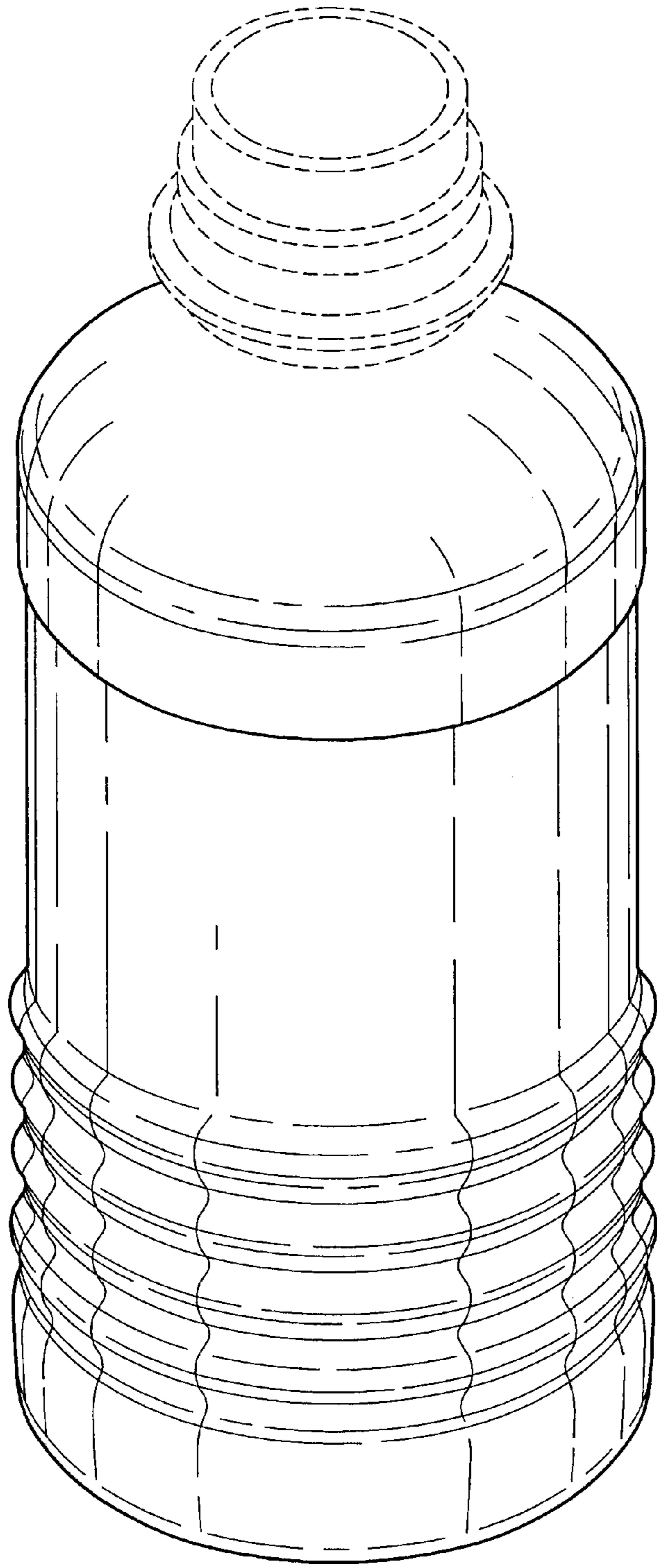


Fig. 4