



US00D481314S

(12) **United States Design Patent**
Noonan

(10) **Patent No.:** **US D481,314 S**

(45) **Date of Patent:** **** Oct. 28, 2003**

(54) **CAP**

6,325,227 B1 * 12/2001 Ekkert 215/252
D460,357 S * 7/2002 Kras et al. D9/435

(75) Inventor: **Michael Patrick Noonan**, Christchurch
(NZ)

* cited by examiner

(73) Assignee: **Alto Plastics Limited**, Auckland (NZ)

Primary Examiner—Louis S. Zarfaz
Assistant Examiner—Gregory Andoll
(74) *Attorney, Agent, or Firm*—Darby & Darby

(**) Term: **14 Years**

(21) Appl. No.: **29/177,112**

(57) **CLAIM**

(22) Filed: **Mar. 4, 2003**

The ornamental design for a cap, as shown and described.

(30) **Foreign Application Priority Data**

DESCRIPTION

Sep. 4, 2002 (NZ) 402932

(51) **LOC (7) Cl.** **09-07**

FIG. 1 is a top perspective view of my new design for a cap;
FIG. 2 is a bottom perspective view of the cap of FIG. 1;
FIG. 3 is a side view of the cap of FIG. 1;
FIG. 4 is a top view of the cap of FIG. 1; and,
FIG. 5 is a bottom view of the cap of FIG. 1.

(52) **U.S. Cl.** **D9/438; D9/452; D9/453**

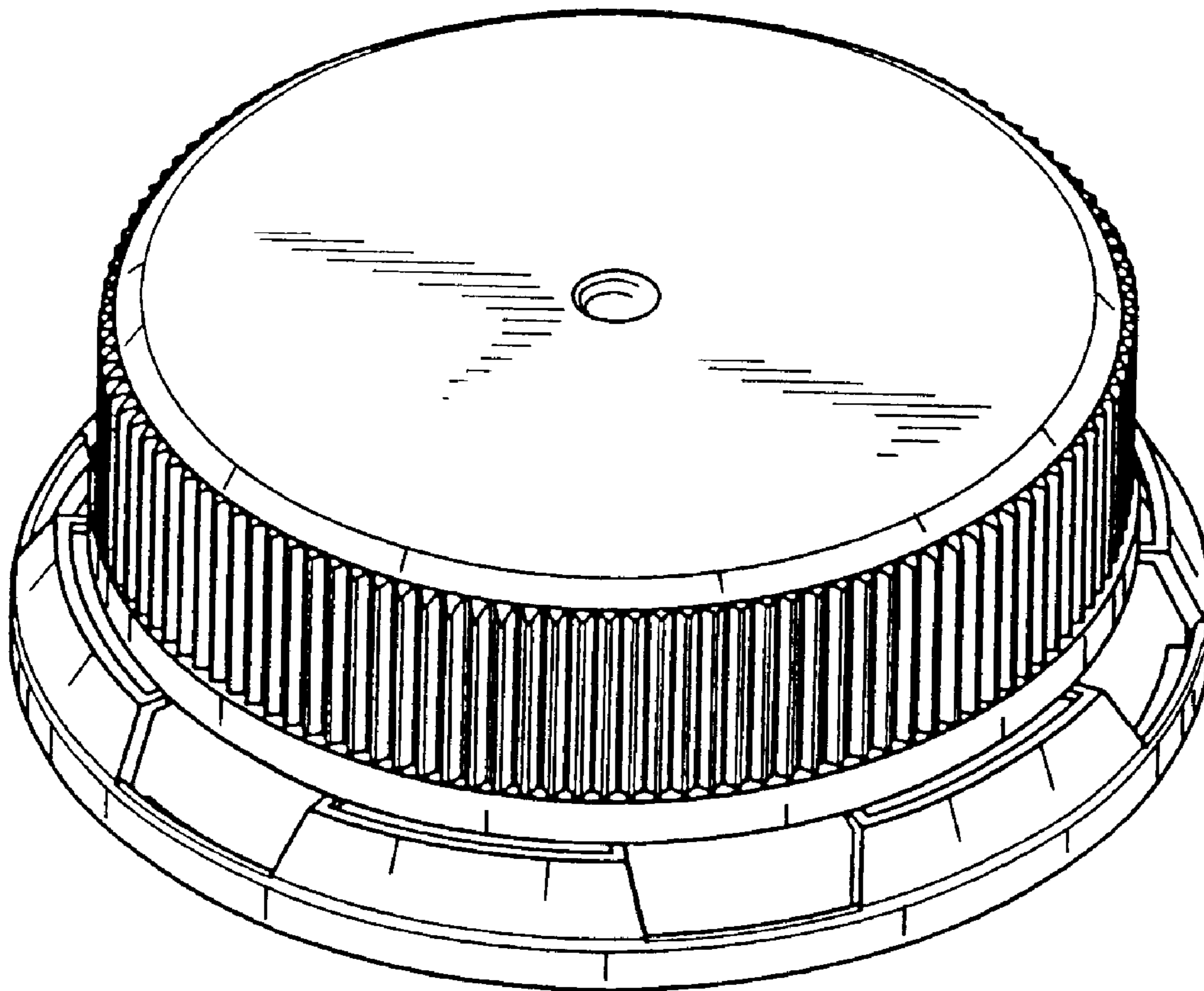
(58) **Field of Search** D9/438, 452, 453,
D9/435; 215/252, 258

(56) **References Cited**

U.S. PATENT DOCUMENTS

D304,424 S * 11/1989 Dawson D9/453

1 Claim, 3 Drawing Sheets



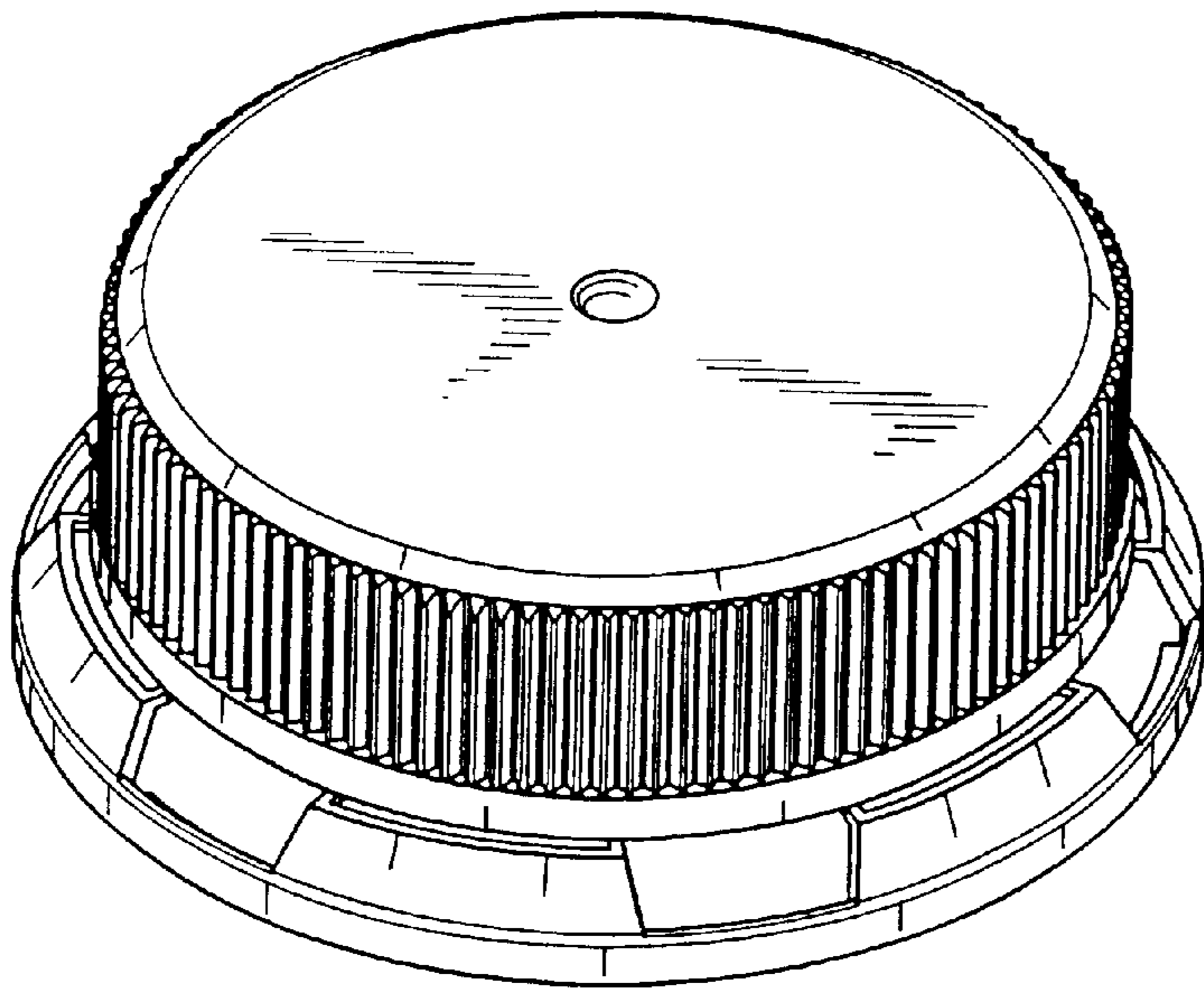


Fig. 1

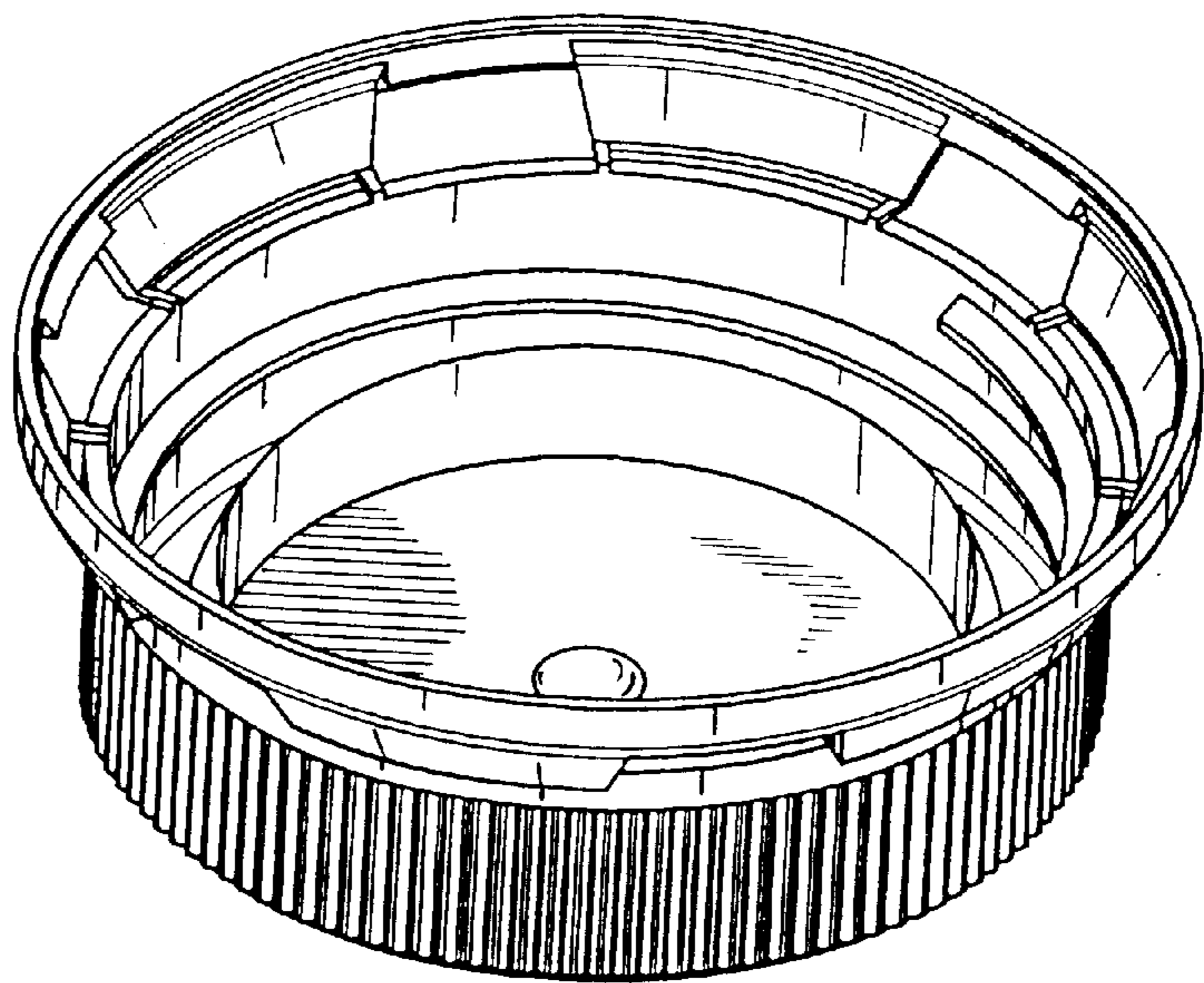


Fig. 2

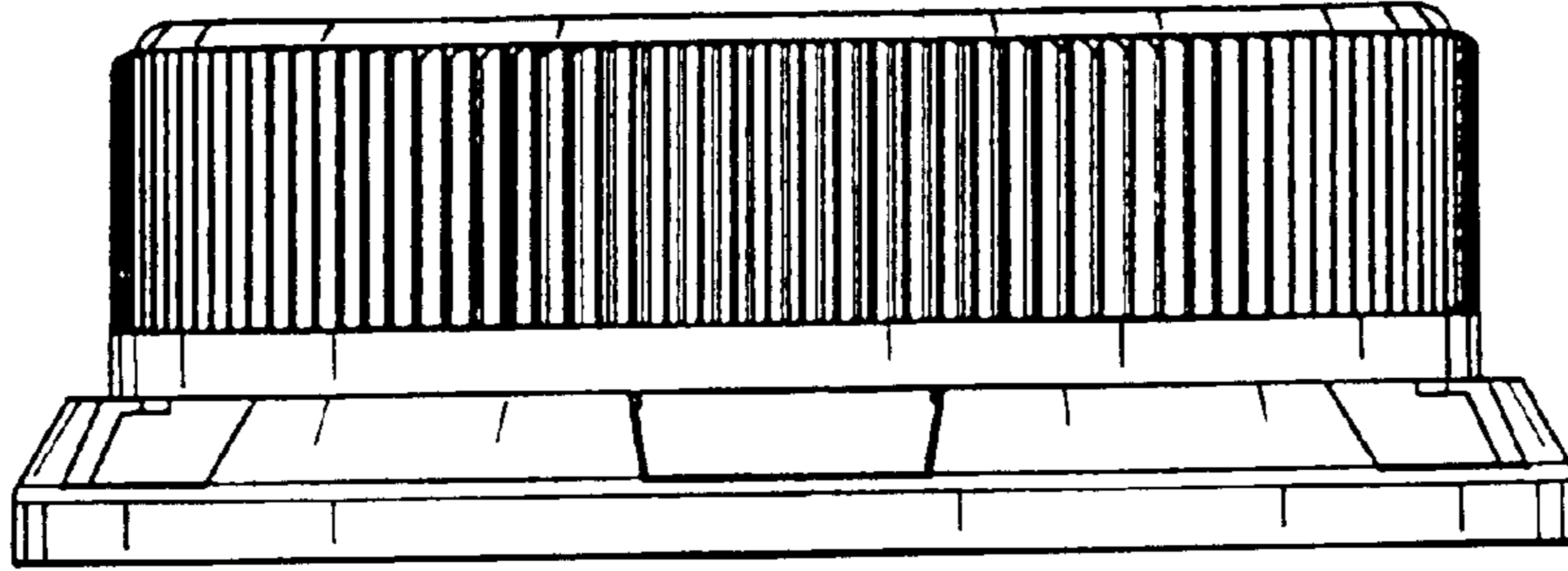


Fig. 3

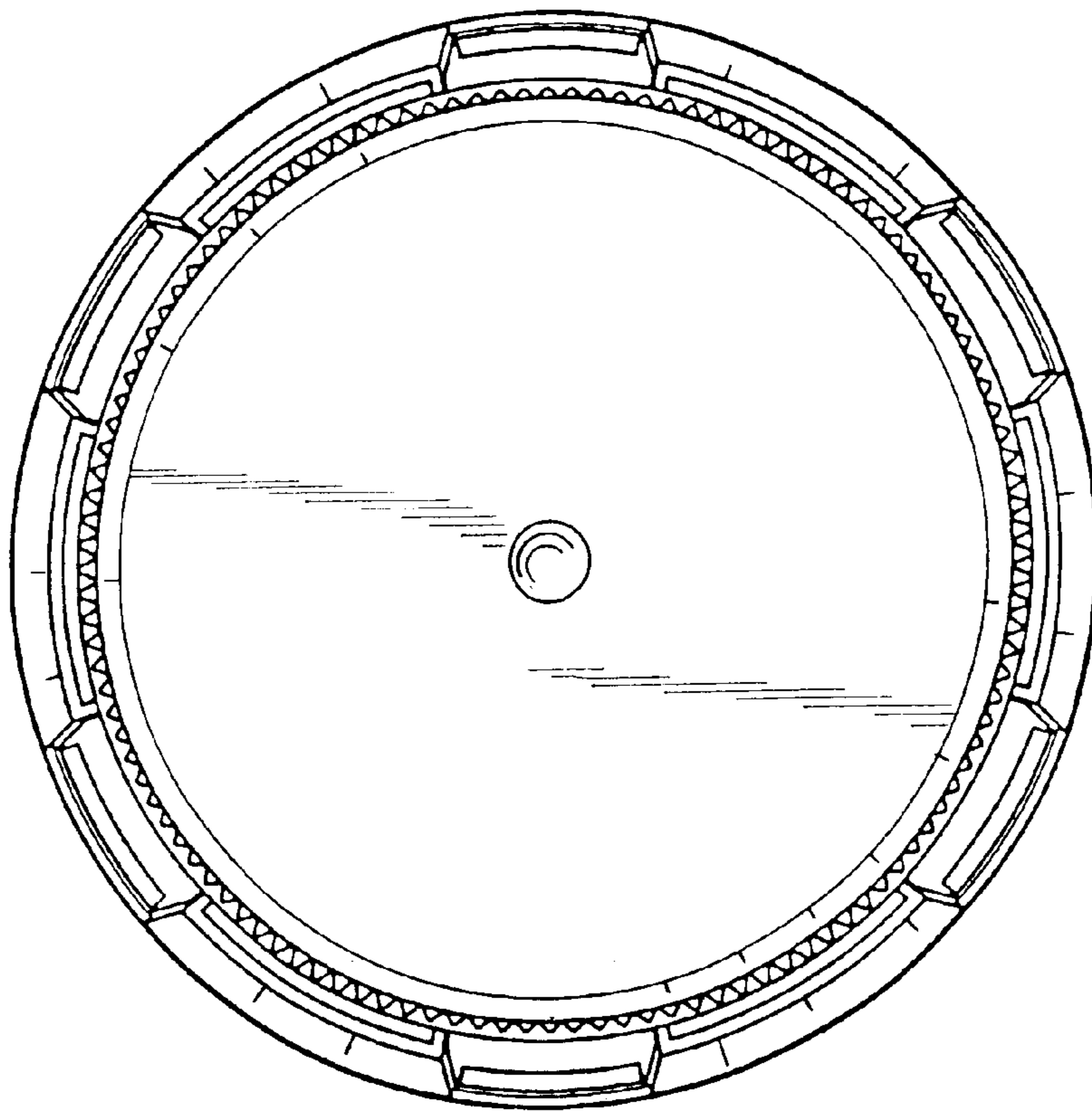


Fig. 4

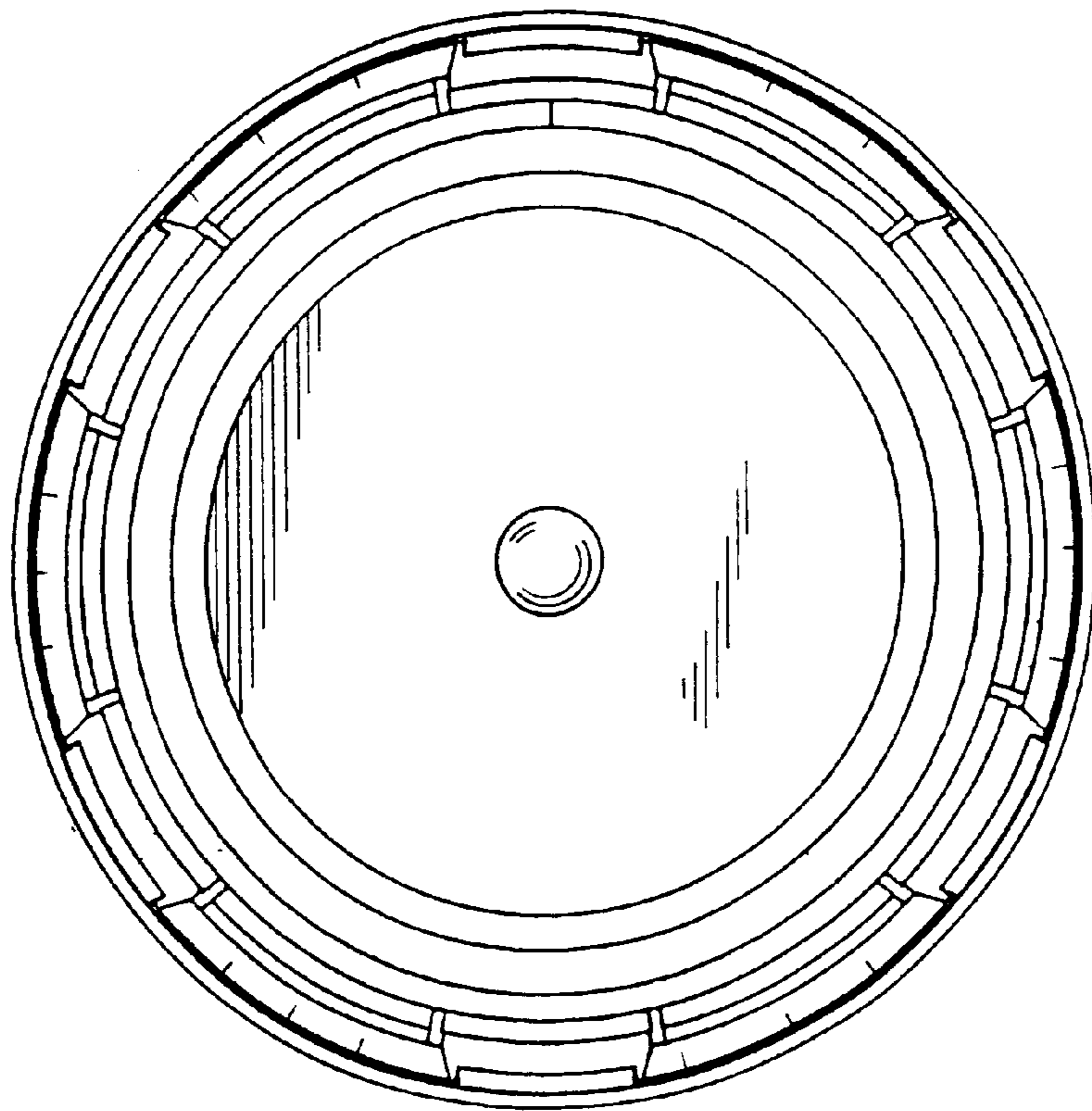


Fig. 5