



US00D481312S

(12) **United States Design Patent**  
**Martin et al.**

(10) **Patent No.:** **US D481,312 S**

(45) **Date of Patent:** **\*\* Oct. 28, 2003**

(54) **GASKET FOR CLOSURE**

(75) **Inventors:** **James L. Martin**, Lancaster, OH (US);  
**Larry Alan Hottle**, Graville, OH (US);  
**Galen G. German**, Lancaster, OH  
(US); **C. Roger Hamrick**, London, OH  
(US)

(73) **Assignee:** **Crown Cork & Seal Technologies Corporation**, Alsip, IL (US)

(\*\*) **Term:** **14 Years**

(21) **Appl. No.:** **29/156,816**

(22) **Filed:** **Mar. 8, 2002**

(51) **LOC (7) Cl.** ..... **09-07**

(52) **U.S. Cl.** ..... **D9/435; D9/499**

(58) **Field of Search** ..... D9/434, 435, 499,  
D9/452; 220/780, 781, 795; 222/566, 570,  
571; 277/908; 215/318, 346, 341

(56) **References Cited**

**U.S. PATENT DOCUMENTS**

3,371,813	A	3/1968	Owen et al.	
3,448,881	A	6/1969	Zipper	
D226,054	S	* 1/1973	Nixdorff	..... D9/435
3,741,423	A	6/1973	Acton et al.	
4,000,825	A	1/1977	Westfall	

D258,988	S	* 4/1981	Leonard	..... D9/434
4,552,279	A	11/1985	Mueller et al.	
4,576,299	A	3/1986	Lecinski, Jr.	
4,603,786	A	8/1986	Lecinski, Jr. et al.	
4,863,030	A	9/1989	Bayer et al.	
D352,455	S	* 11/1994	Balson	..... D9/434
5,692,628	A	12/1997	Montgomery et al.	
D472,143	S	* 3/2003	Martin et al.	..... D9/434

\* cited by examiner

*Primary Examiner*—Louis S. Zarfaz

*Assistant Examiner*—Gregory Andoll

(74) *Attorney, Agent, or Firm*—Knoble & Yoshida, LLC

(57) **CLAIM**

The ornamental design for a gasket for closure, as shown and described.

**DESCRIPTION**

FIG. 1 is a perspective view showing my new design for a gasket for closure;

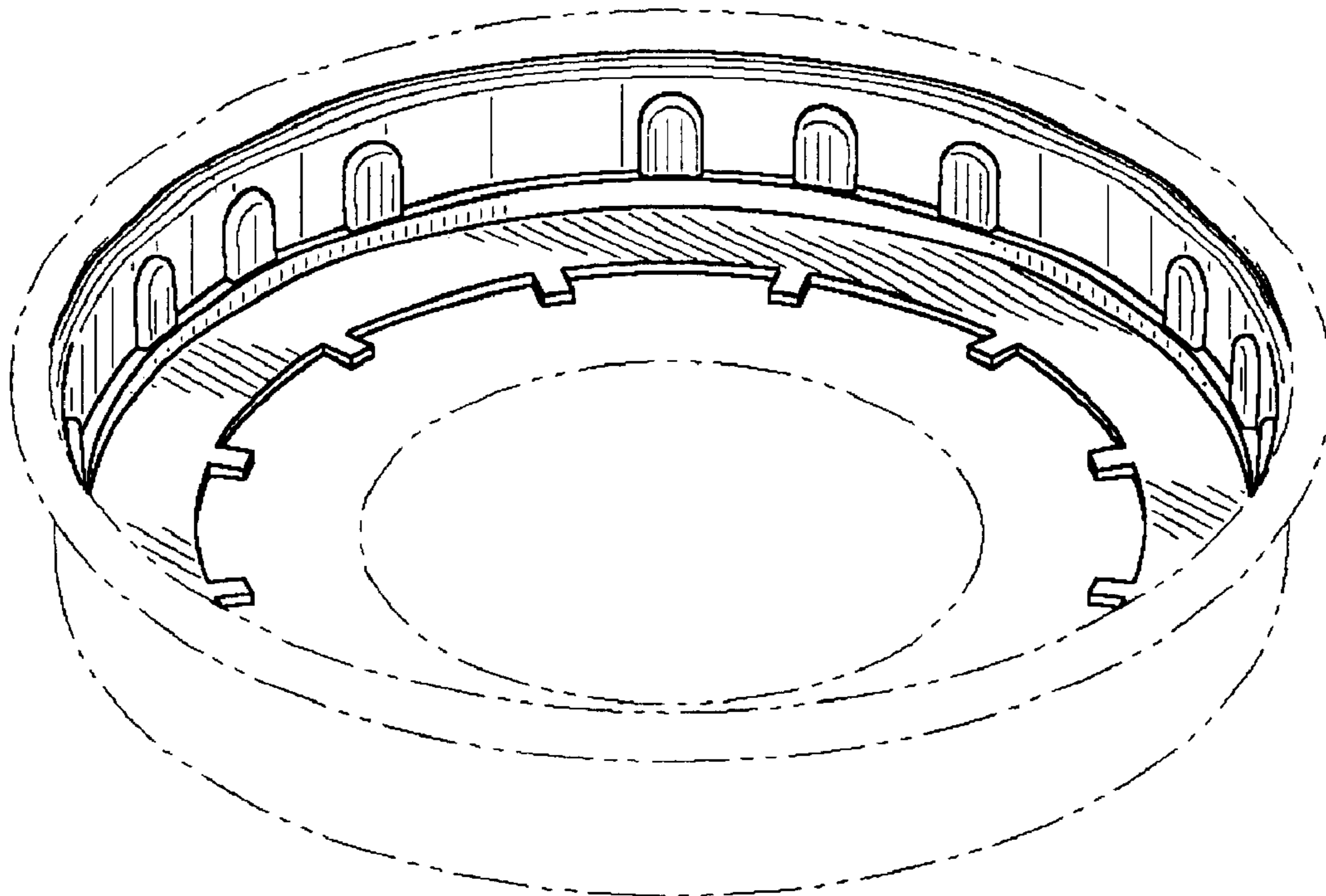
FIG. 2 is a top plan view;

FIG. 3 is a first side elevational view; and,

FIG. 4 is a second side elevational view.

Any broken lines in the drawings depict environment only and form no part of the claimed design.

**1 Claim, 2 Drawing Sheets**



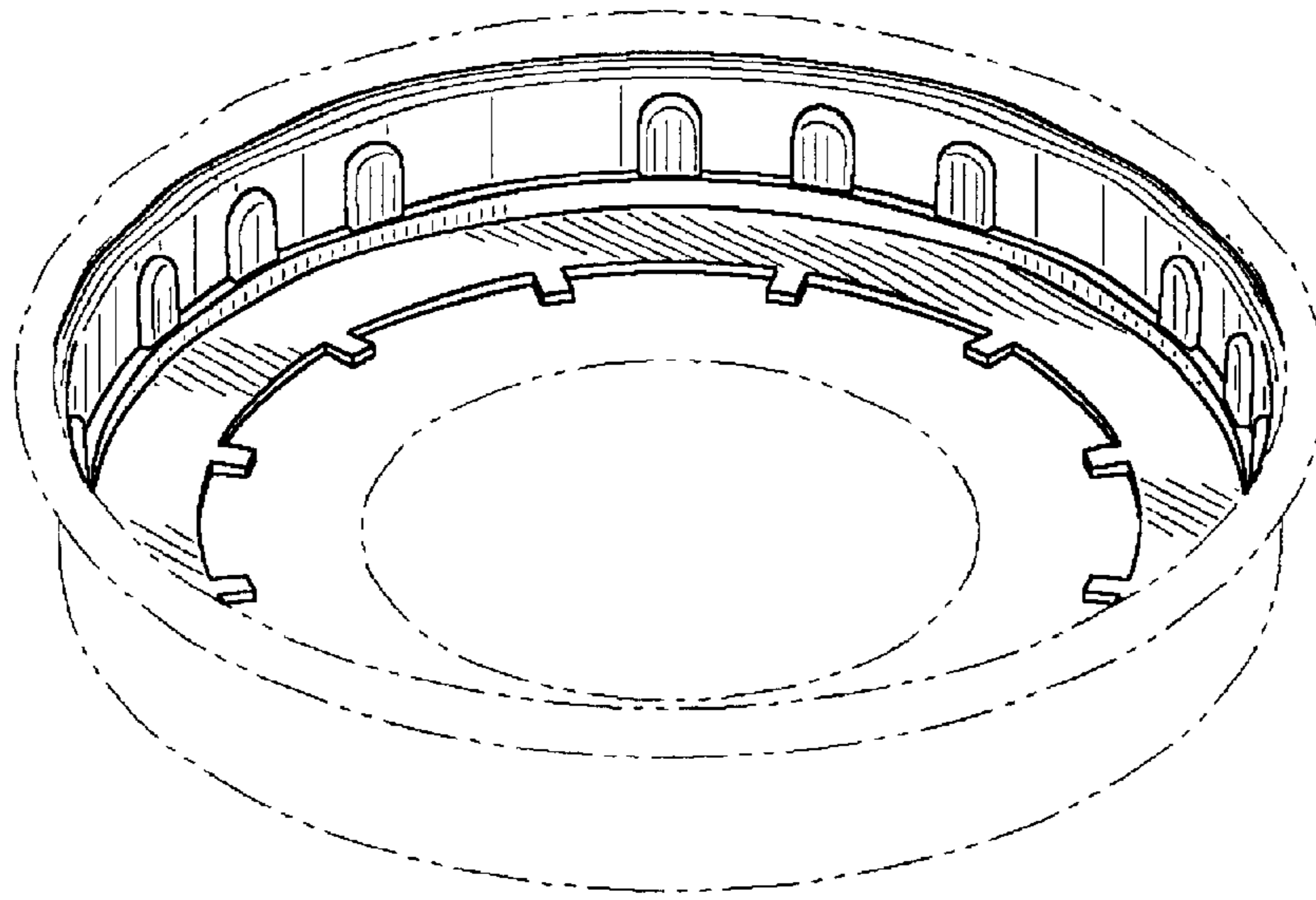


FIG. 1

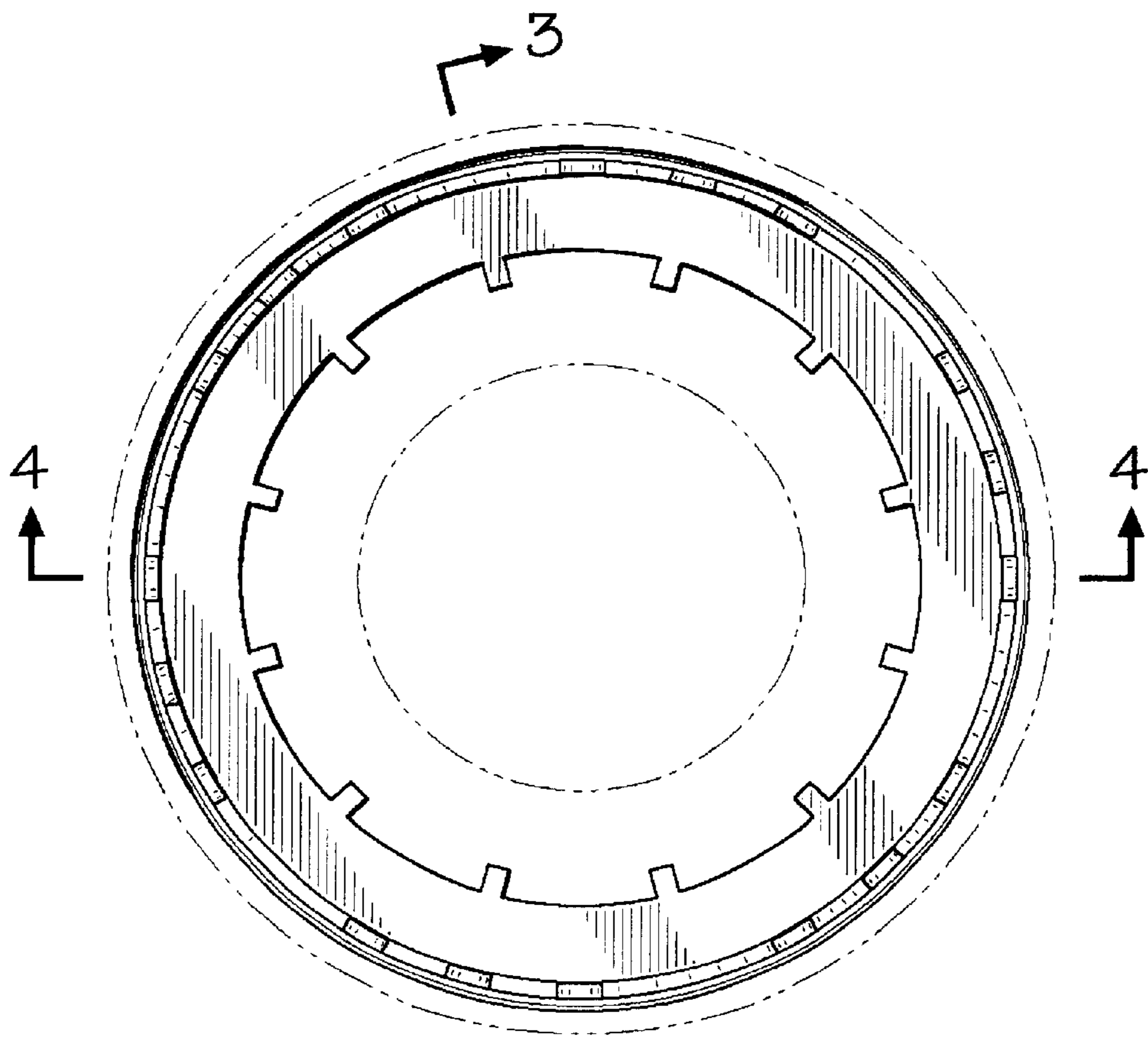


FIG. 2

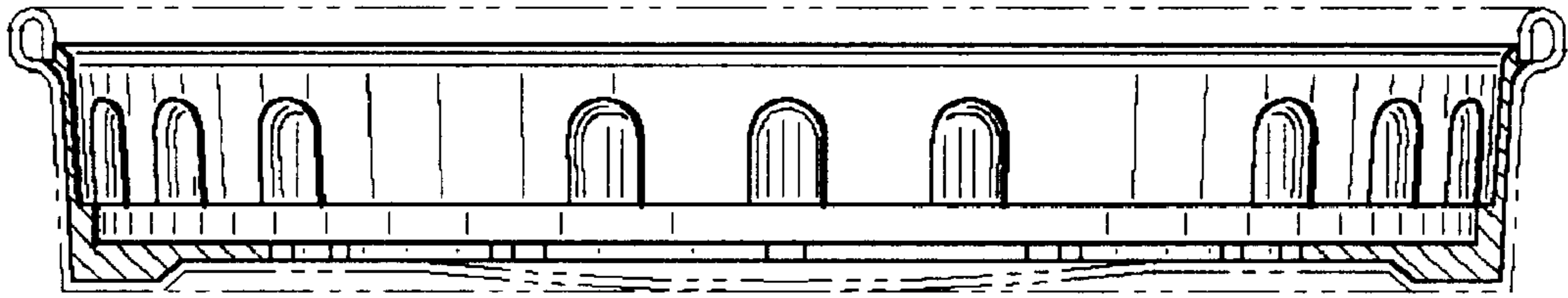


FIG. 3

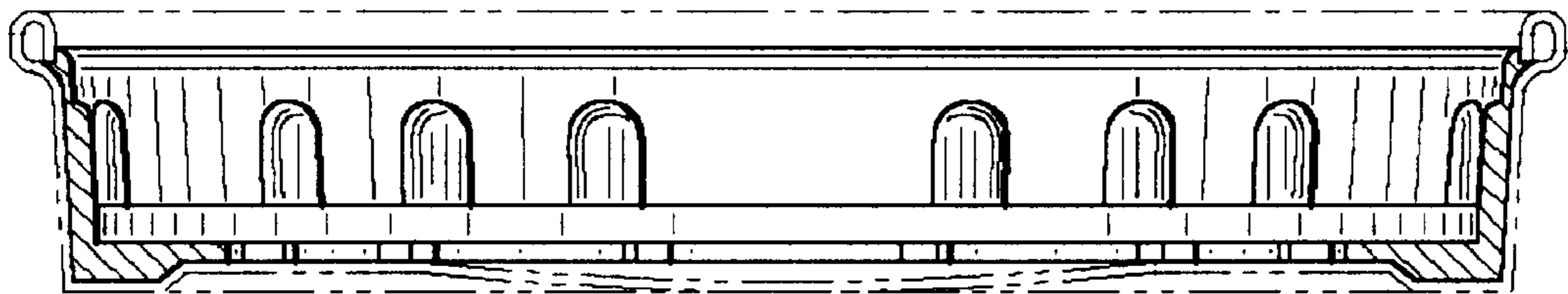


FIG. 4