



US00D481304S

(12) **United States Design Patent**
Drake

(10) **Patent No.:** **US D481,304 S**

(45) **Date of Patent:** **** Oct. 28, 2003**

(54) **CORNER PROTECTOR**

6,470,637 B2 * 10/2002 Gratz 52/287.1

(76) Inventor: **John F. Drake**, P.O. Box 536 Summer Mountain Rd., North Bend, PA (US) 17760

* cited by examiner

Primary Examiner—Brian N. Vinson

(**) Term: **14 Years**

(57) **CLAIM**

The ornamental design for a corner protector, as shown and described.

(21) Appl. No.: **29/171,896**

(22) Filed: **Dec. 2, 2002**

DESCRIPTION

(51) **LOC (7) Cl.** **08-07**

FIG. 1 is a top plan view of a corner protector showing my new design.

(52) **U.S. Cl.** **D8/403**

FIG. 2 is a bottom plan view of the corner protector.

(58) **Field of Search** D8/400, 403; 52/287.1;

FIG. 3 is a side elevated view of the corner protector.

206/453, 586; 40/778

FIG. 4 is a back elevated view of the corner protector.

(56) **References Cited**

FIG. 5 is a front elevated view of the corner protector.

U.S. PATENT DOCUMENTS

FIG. 6 is a perspective view of the corner protector; and,

D260,590 S * 9/1981 Hobson D8/403

FIG. 7 is a cross-sectional view taken along line 7—7 of

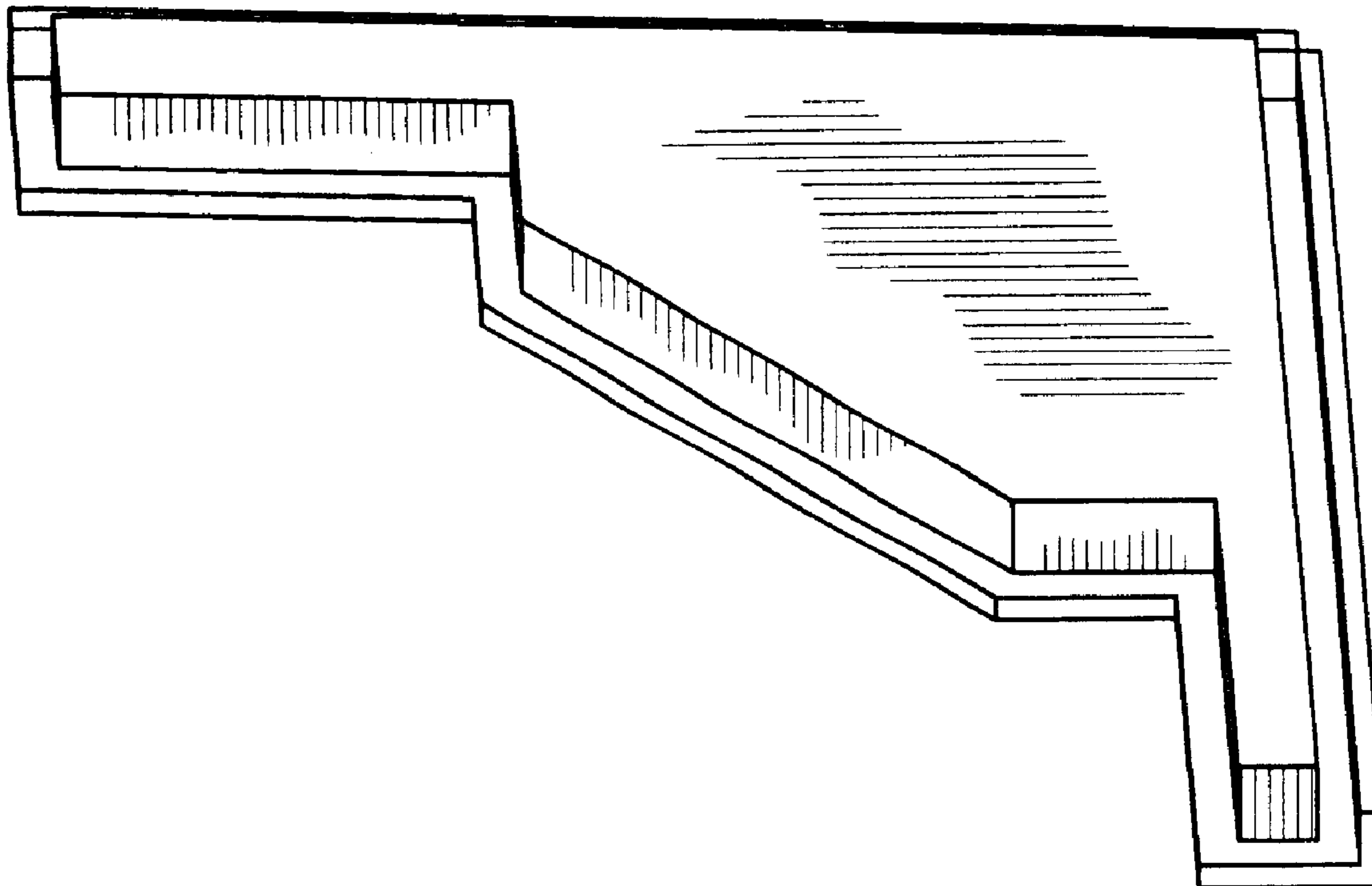
D379,298 S * 5/1997 Bowen et al. D8/402

FIG. 1 of the corner protector.

D394,802 S * 6/1998 Brandes D8/403

D431,772 S * 10/2000 Tsui D8/403

1 Claim, 3 Drawing Sheets



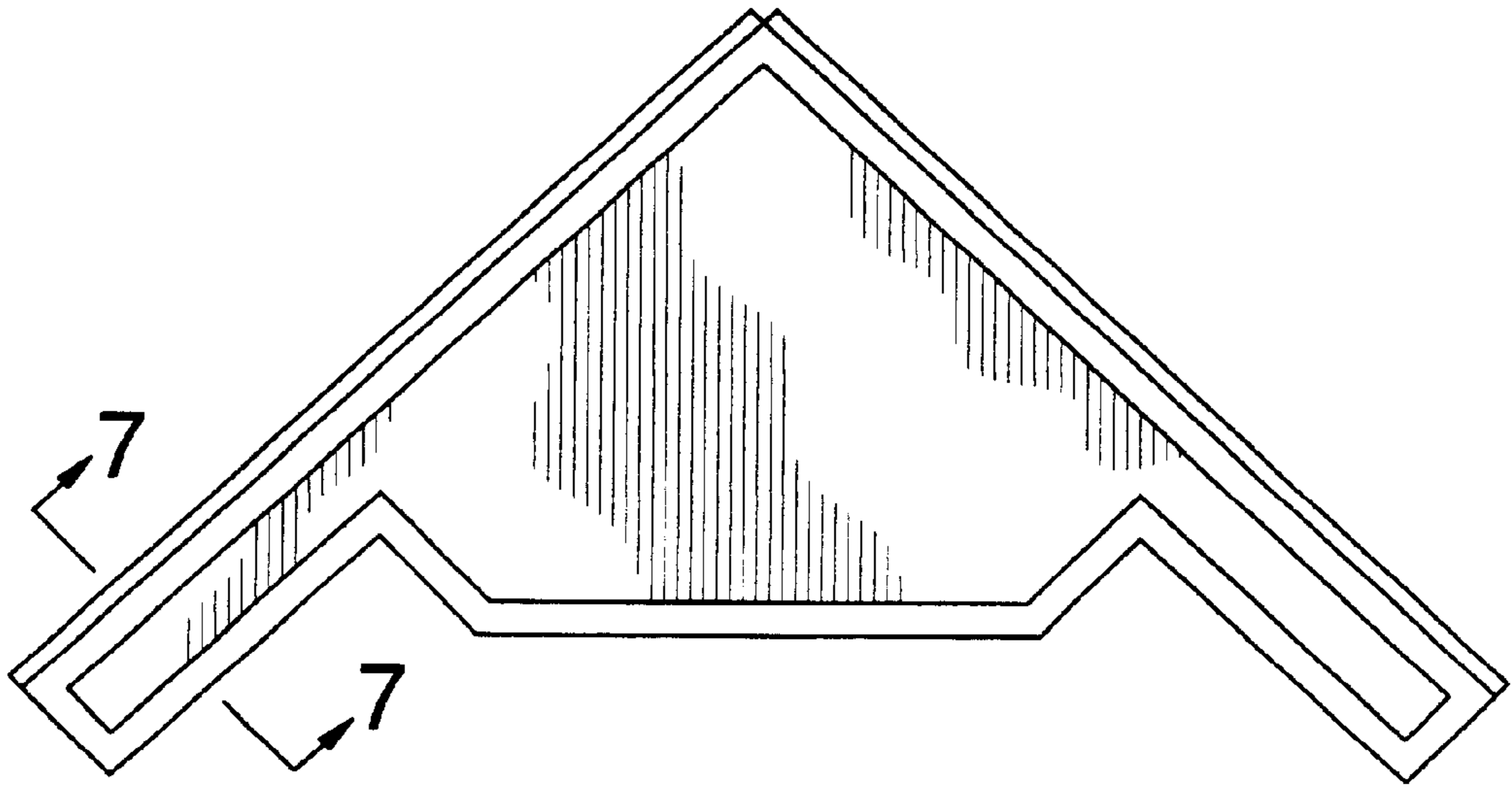


FIG. 1

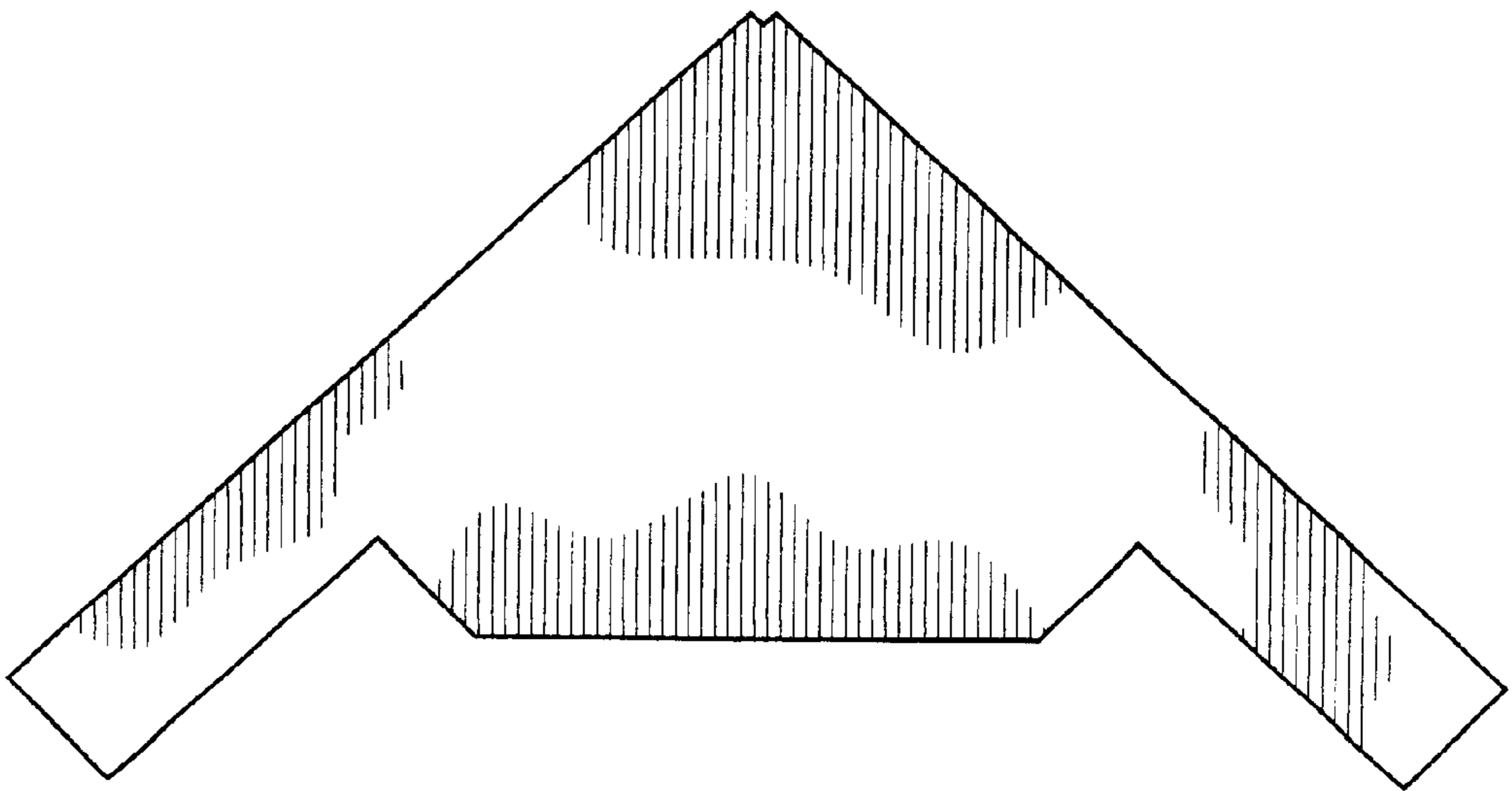


FIG. 2



FIG. 3



FIG. 4

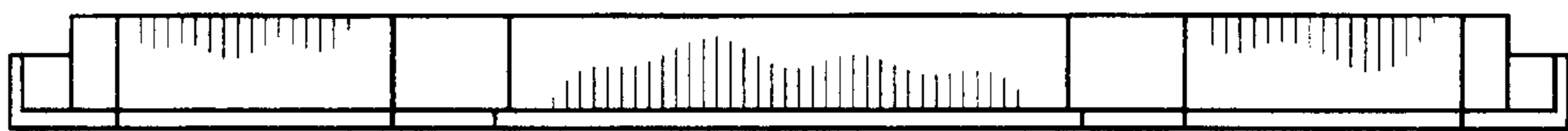


FIG. 5

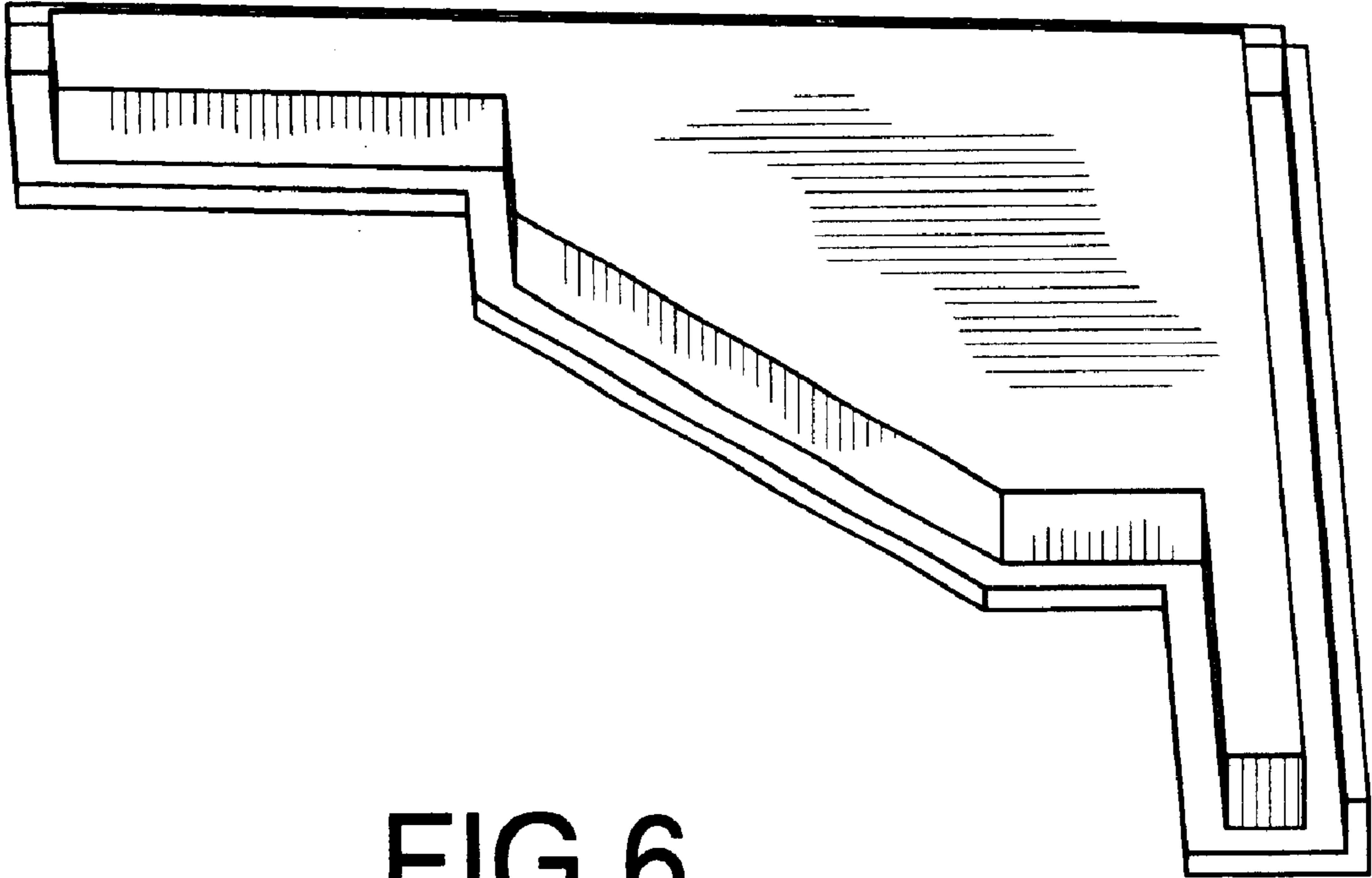


FIG. 6

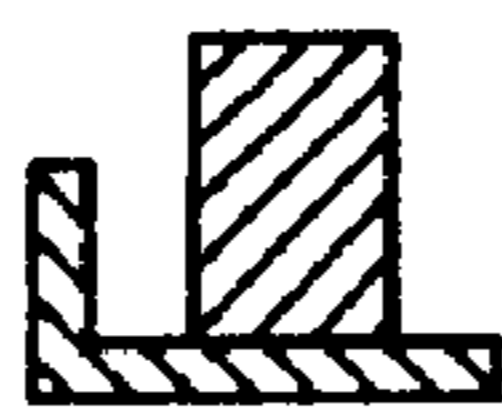


FIG. 7