



US00D481299S

(12) **United States Design Patent**
Fujioka

(10) **Patent No.:** **US D481,299 S**

(45) **Date of Patent:** **** Oct. 28, 2003**

(54) **ELASTIC MEMBER OF AN ELASTIC COUPLER**

(75) Inventor: **Nobushige Fujioka**, Kanagawa (JP)

(73) Assignee: **Miki Pulley Co.**, Kanagaw (JP)

(**) Term: **14 Years**

(21) Appl. No.: **29/162,766**

(22) Filed: **Jun. 20, 2002**

(30) **Foreign Application Priority Data**

Dec. 21, 2001 (KR) 2001-35922

(51) **LOC (7) Cl.** **08-08**

(52) **U.S. Cl.** **D8/382**

(58) **Field of Search** D8/382, 383; 403/403, 403/322.4, 322.1, 217; 464/73, 88

(56) **References Cited**

U.S. PATENT DOCUMENTS

- 2,034,001 A * 3/1936 Ricefield 464/73
- 2,588,158 A * 3/1952 Peirce 464/73
- D227,528 S * 7/1973 Wahl D8/382
- 4,094,417 A * 6/1978 Cairnes et al. 211/183

6,342,011 B1 * 1/2002 Pokrandt et al. 464/73

* cited by examiner

Primary Examiner—Holly Baynham

(74) *Attorney, Agent, or Firm*—Marshall & Melhorn, LLC

(57) **CLAIM**

The ornamental design for an elastic member of an elastic coupler, as shown and described.

DESCRIPTION

FIG. 1 is a front perspective view of an elastic member showing our new design;

FIG. 2 is a back perspective view thereof;

FIG. 3 is a front view thereof;

FIG. 4 is a back view thereof;

FIG. 5 is a left side view thereof;

FIG. 6 is a right side view thereof;

FIG. 7 is a top plan view thereof;

FIG. 8 is a bottom plan view thereof;

FIG. 9 is a cross-sectional view thereof taken along lines 9—9 in FIG. 5; and,

FIG. 10 is a cross-sectional view thereof taken along the lines 10—10—10 in FIG. 3.

1 Claim, 10 Drawing Sheets

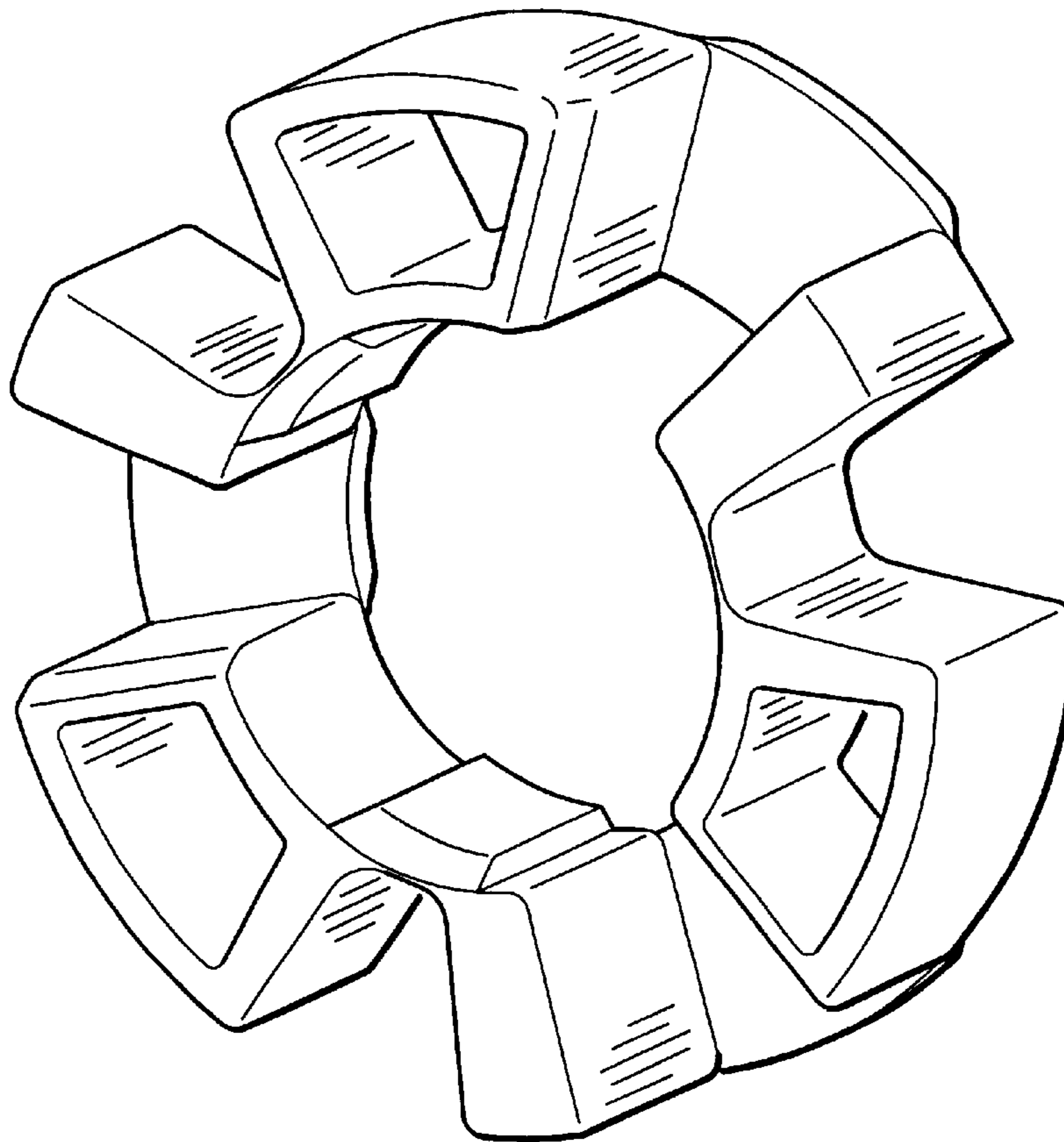


Fig. 1

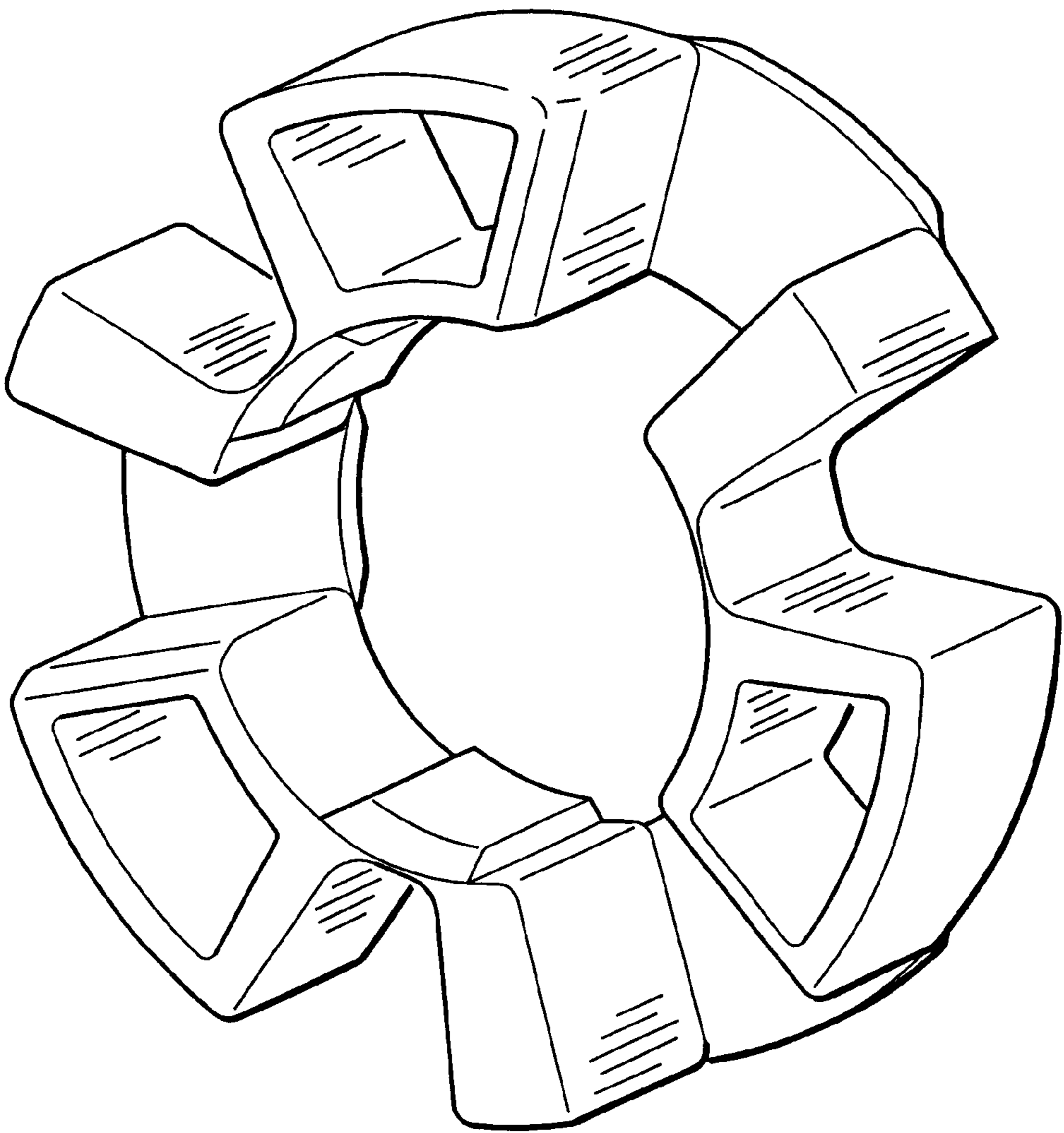


Fig. 2

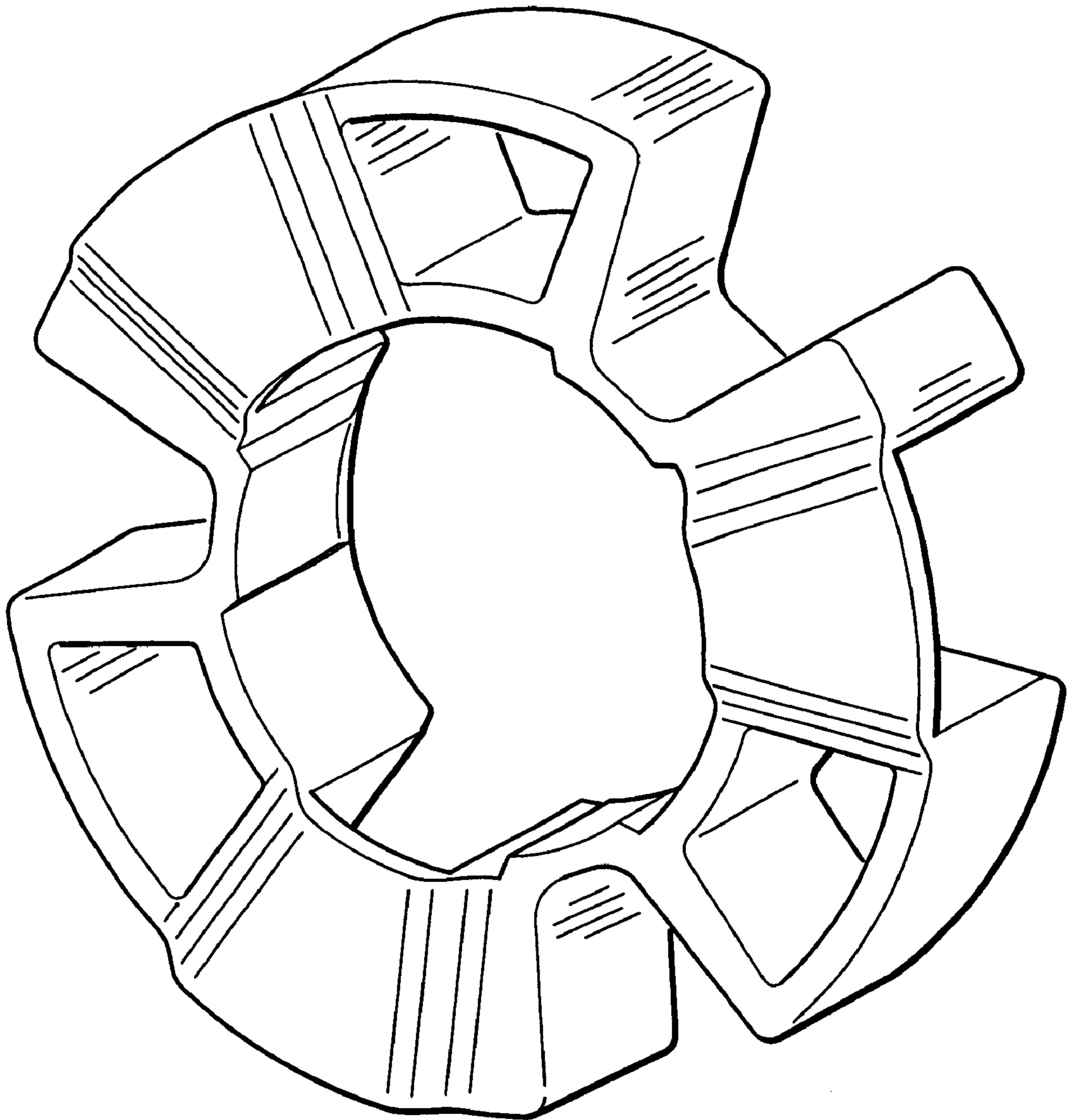


Fig. 3

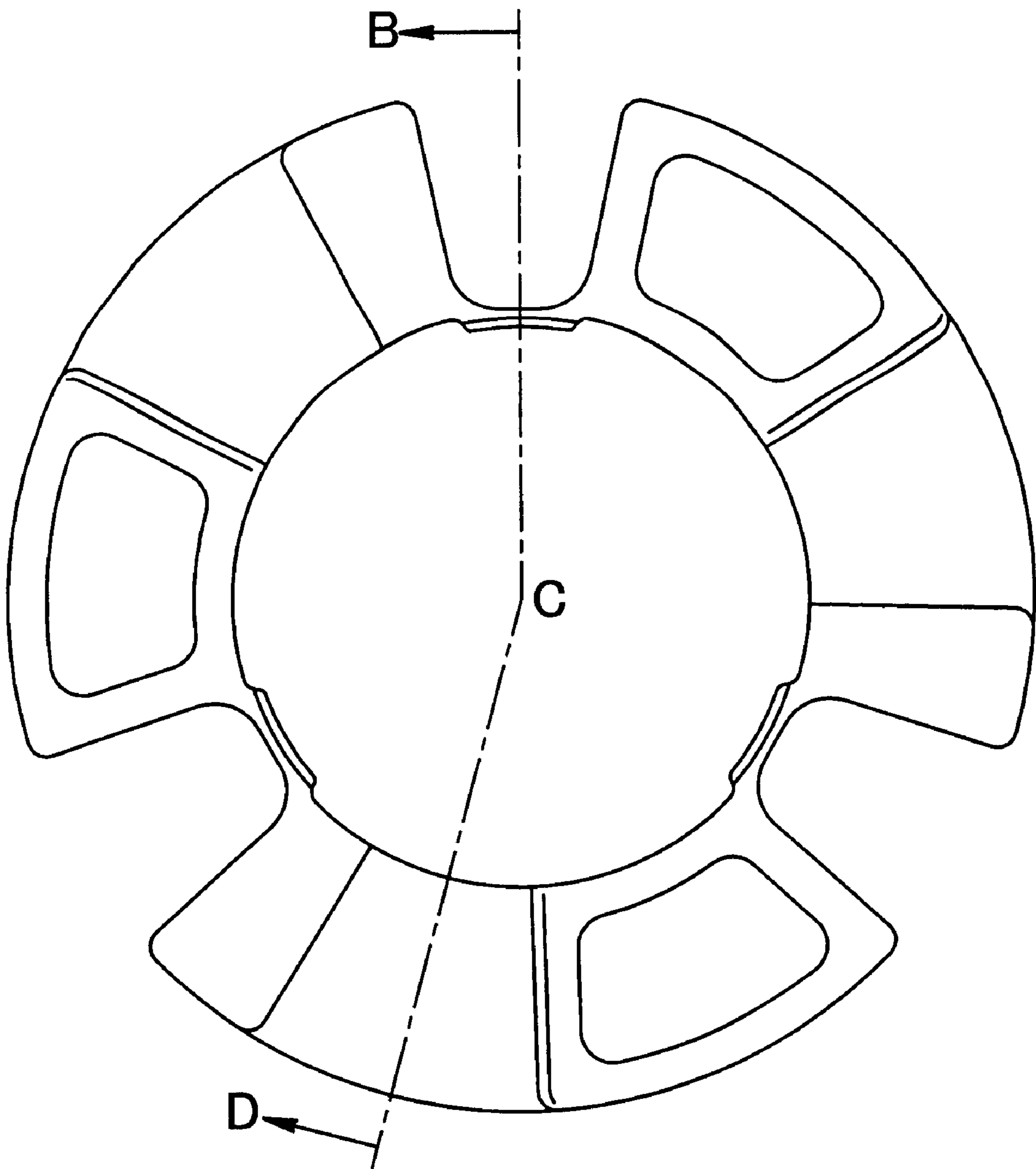


Fig. 4

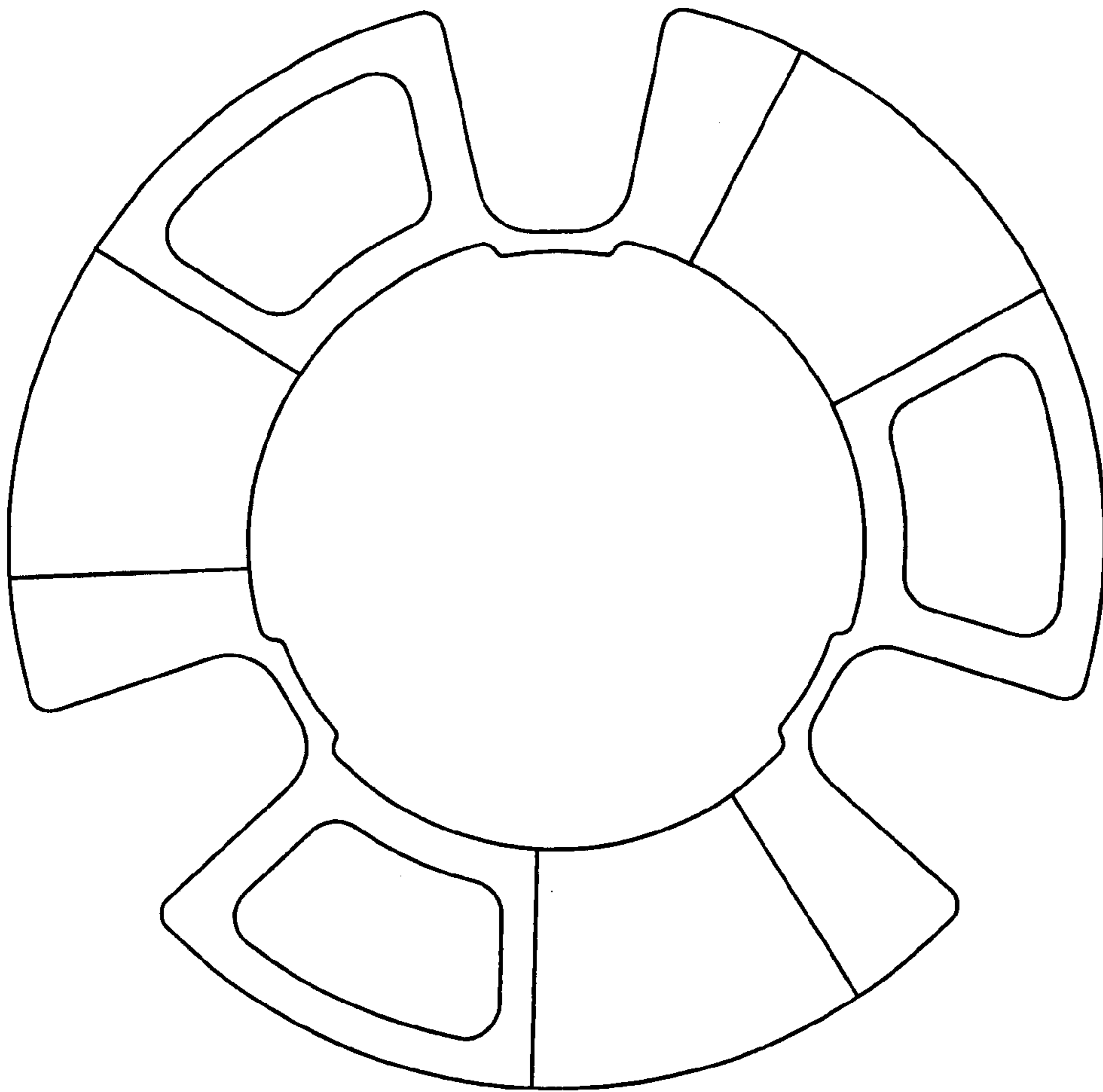


Fig. 5

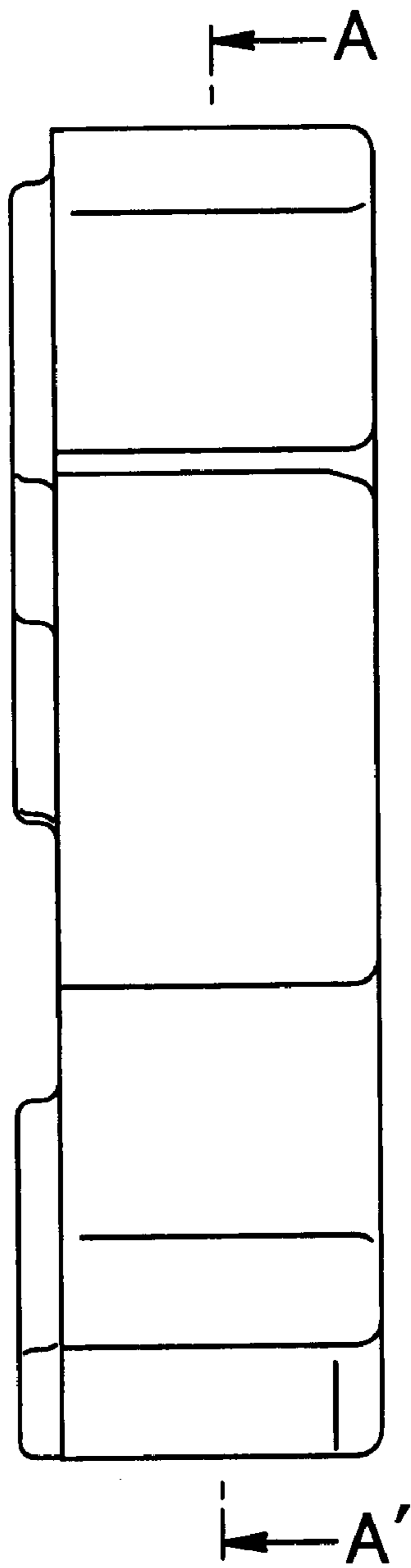


Fig. 6

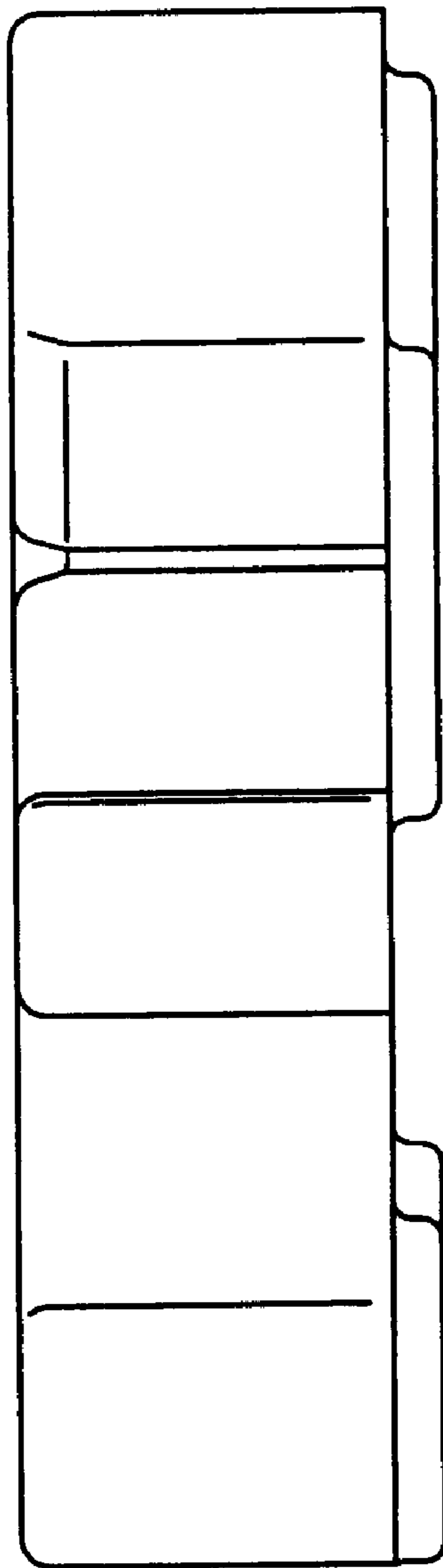


Fig. 7

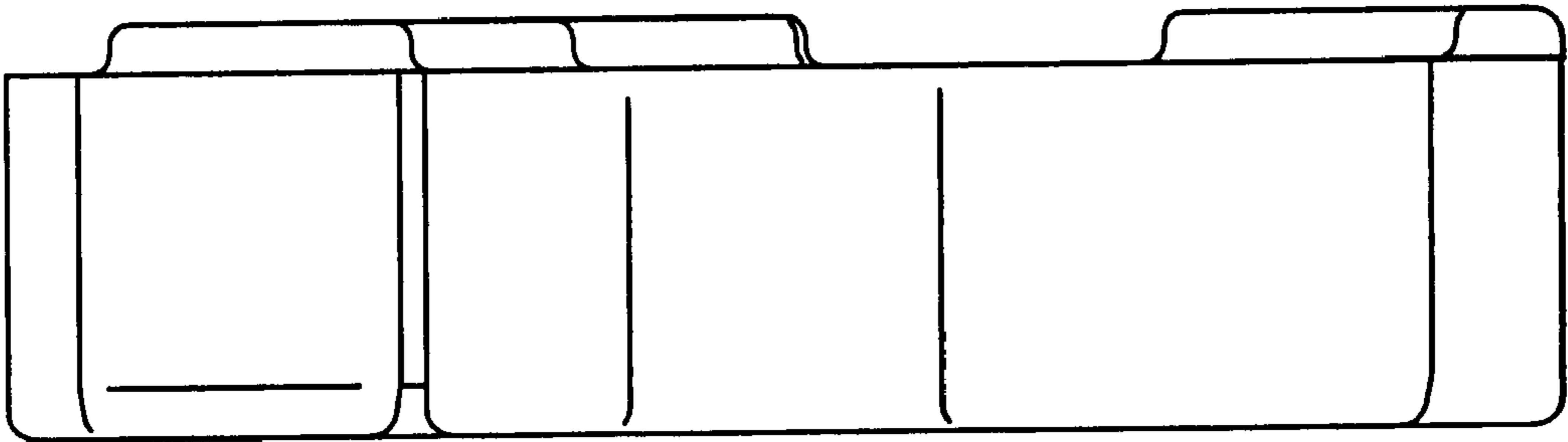


Fig. 8

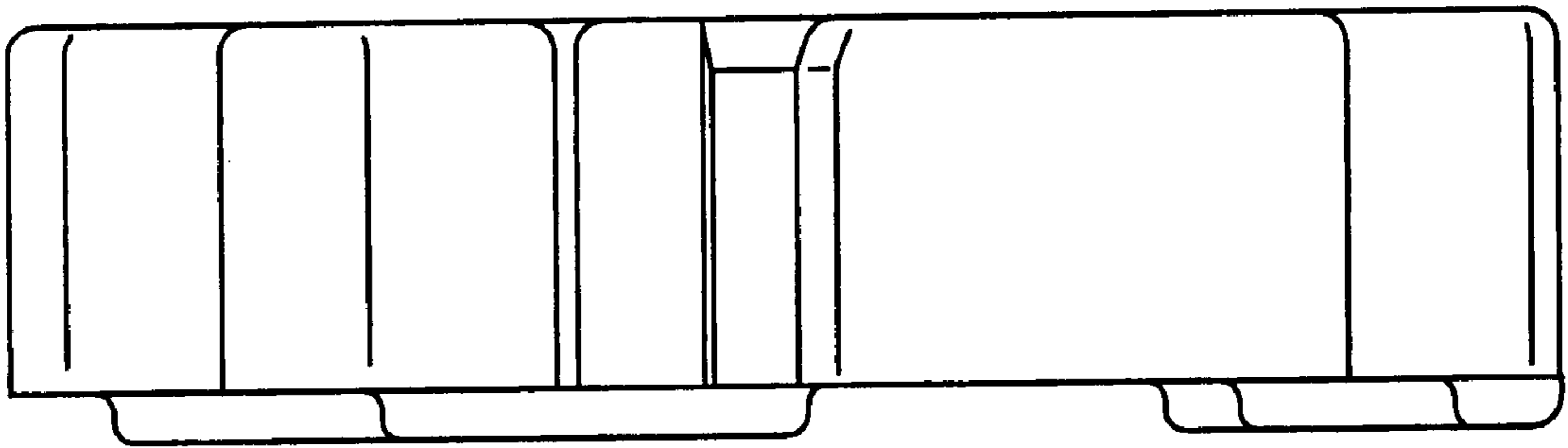


Fig. 9

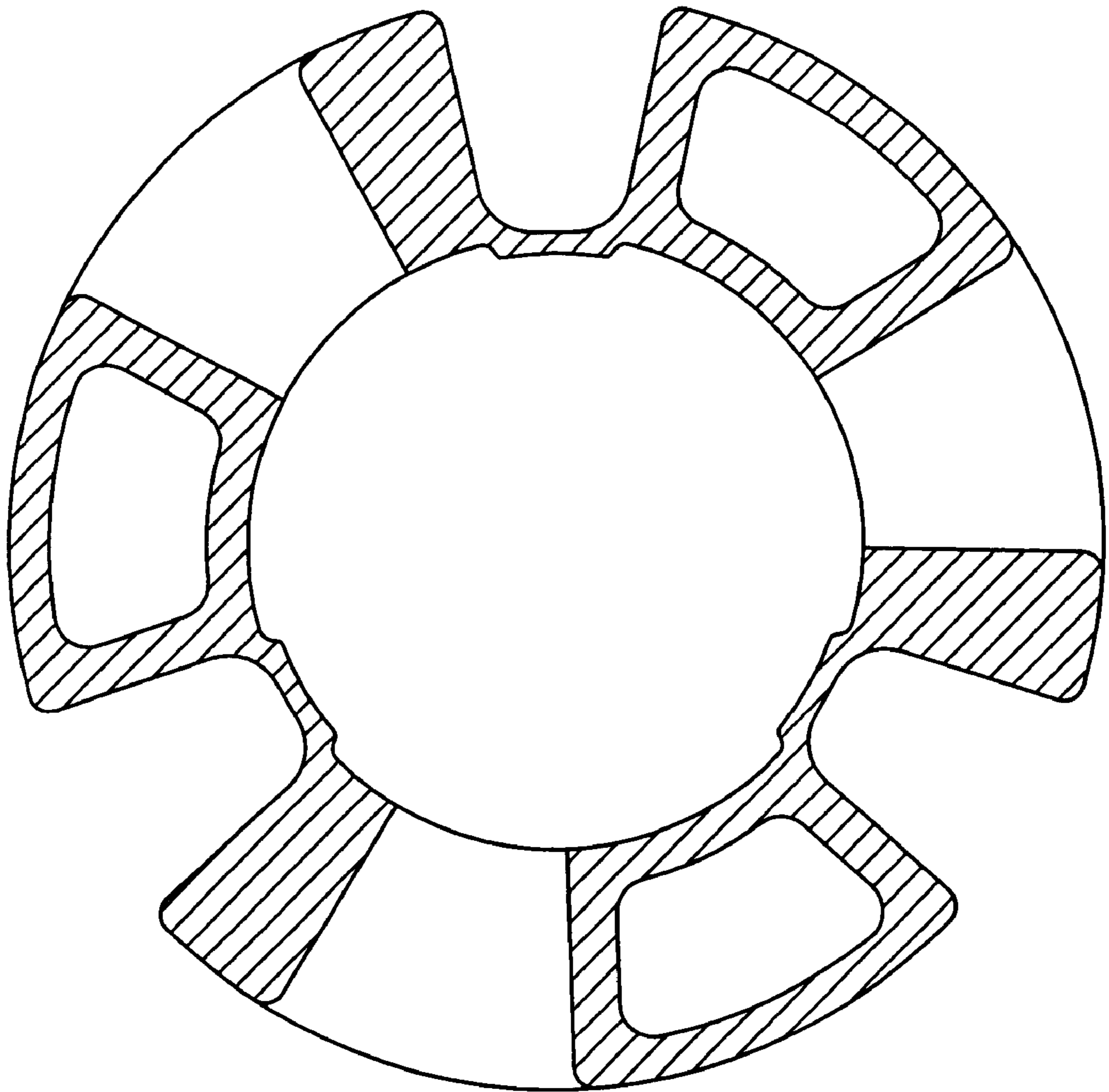


Fig. 10

