



US00D481295S

(12) **United States Design Patent**
Senn

(10) **Patent No.:** **US D481,295 S**

(45) **Date of Patent:** **** Oct. 28, 2003**

(54) **DOOR LATCHING MEMBER**

D353,533 S * 12/1994 Lee D8/343

(75) Inventor: **Brian A. Senn**, South Milwaukee, WI (US)

(73) Assignee: **Powerbrace Corporation**, Kenosha, WI (US)

(**) Term: **14 Years**

(21) Appl. No.: **29/163,029**

(22) Filed: **Jun. 26, 2002**

(51) **LOC (7) Cl.** **08-07**

(52) **U.S. Cl.** **D8/343**

(58) **Field of Search** D8/330, 331, 343,
D8/344, 346, 382, 383, 394, 395; 20/101-102,
104-106, 141-142; 292/95, 194, 215, 218,
224

(56) **References Cited**

U.S. PATENT DOCUMENTS

2,861,830 A	11/1958	Bennett	
3,329,456 A *	7/1967	Olander	292/218
3,484,127 A	12/1969	Pastva	
3,572,794 A	3/1971	Pastva	
3,806,173 A	4/1974	Sweda	
D242,428 S *	11/1976	Morris	D8/343 X
4,029,349 A	6/1977	Sweda et al.	
4,068,409 A	1/1978	White	
D247,871 S *	5/1978	Shaw et al.	D8/343
4,232,891 A	11/1980	Ringe	292/218
4,235,463 A	11/1980	Benevenuta	292/218
4,483,557 A	11/1984	Pastva	292/218
4,601,501 A	7/1986	Pastva	292/218
D294,452 S *	3/1988	Bakula	D8/330
4,844,523 A	7/1989	Pastva	292/218
4,869,023 A	9/1989	Bakula et al.	49/398
D353,318 S *	12/1994	Lee	D8/343

OTHER PUBLICATIONS

Powerbrace Corporation, Drawing No. 4257, dated May 3, 1999.

* cited by examiner

Primary Examiner—Brian N. Vinson

(74) *Attorney, Agent, or Firm*—John W. Harbst

(57) **CLAIM**

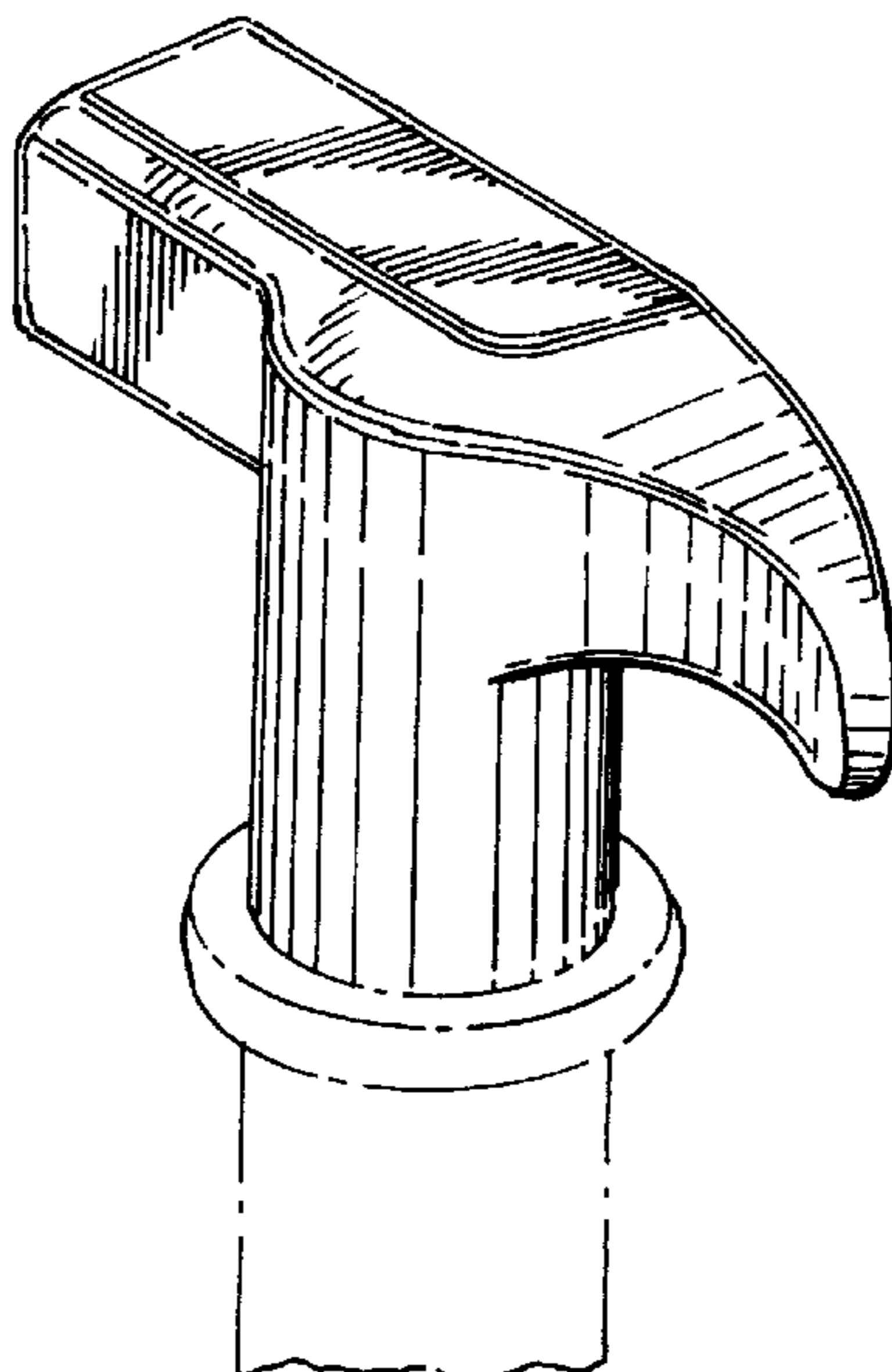
The ornamental design for a door latching member, as shown and described.

DESCRIPTION

FIG. 1 is a front, right side perspective view of one embodiment of a door latching member showing my new design; FIG. 2 is a top plan view thereof; FIG. 3 is a front elevational view thereof; FIG. 4 is a right side elevational view thereof; FIG. 5 is a left side elevational view thereof; FIG. 6 is a rear elevational view thereof; FIG. 7 is a sectional view taken along line 7—7 of FIG. 3; FIG. 8 is a front, right side perspective view of another embodiment of a door latching member showing my new design; FIG. 9 is a top plan view thereof; FIG. 10 is a front elevational view thereof; FIG. 11 is a right side elevational view thereof; FIG. 12 is a left side elevational view thereof; FIG. 13 is a rear elevational view thereof; and, FIG. 14 is a sectional view taken along line 14—14 of FIG. 10.

The phantom lines shown in the drawings form no part of the invention.

1 Claim, 2 Drawing Sheets



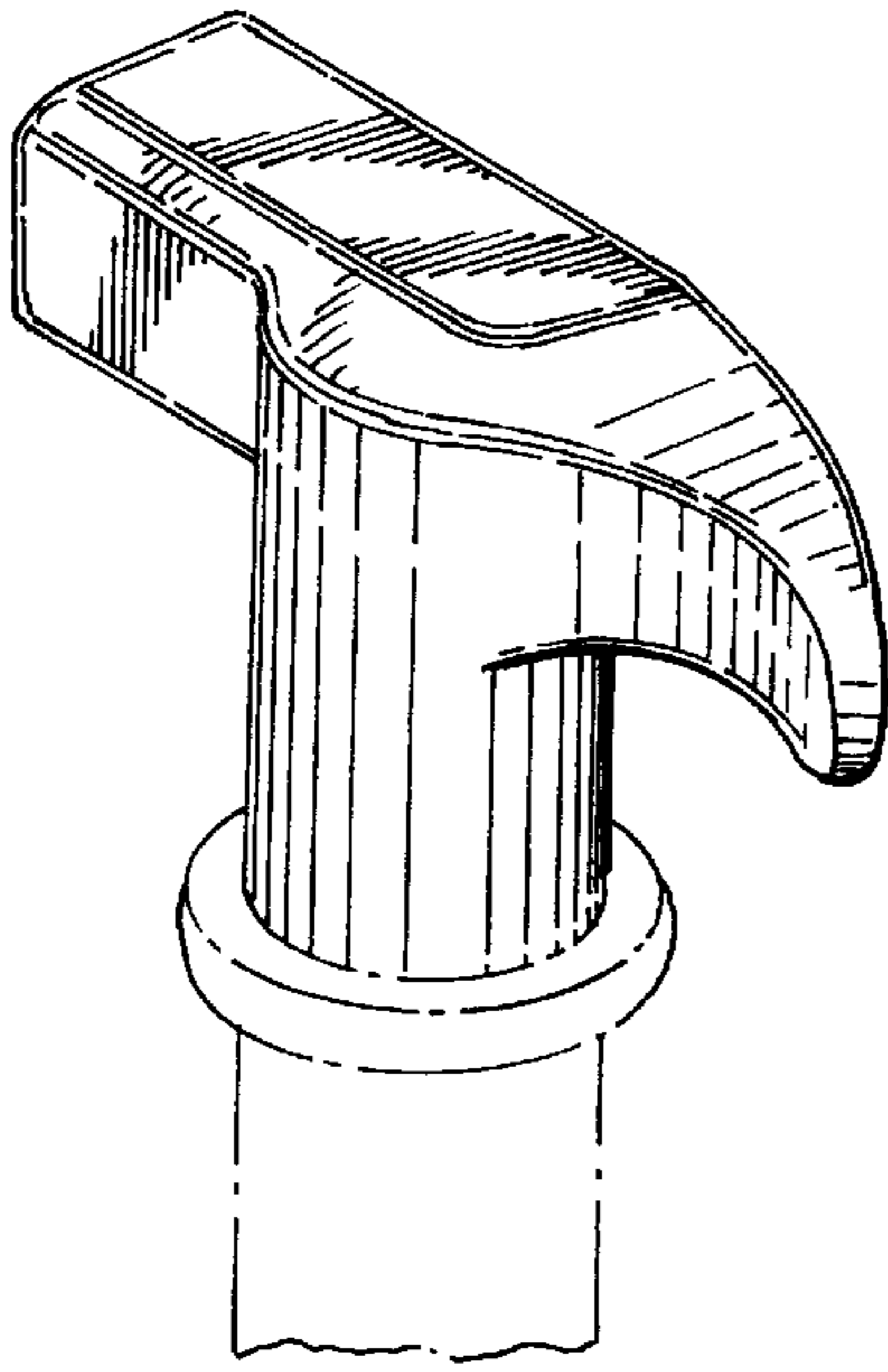


FIG. 1

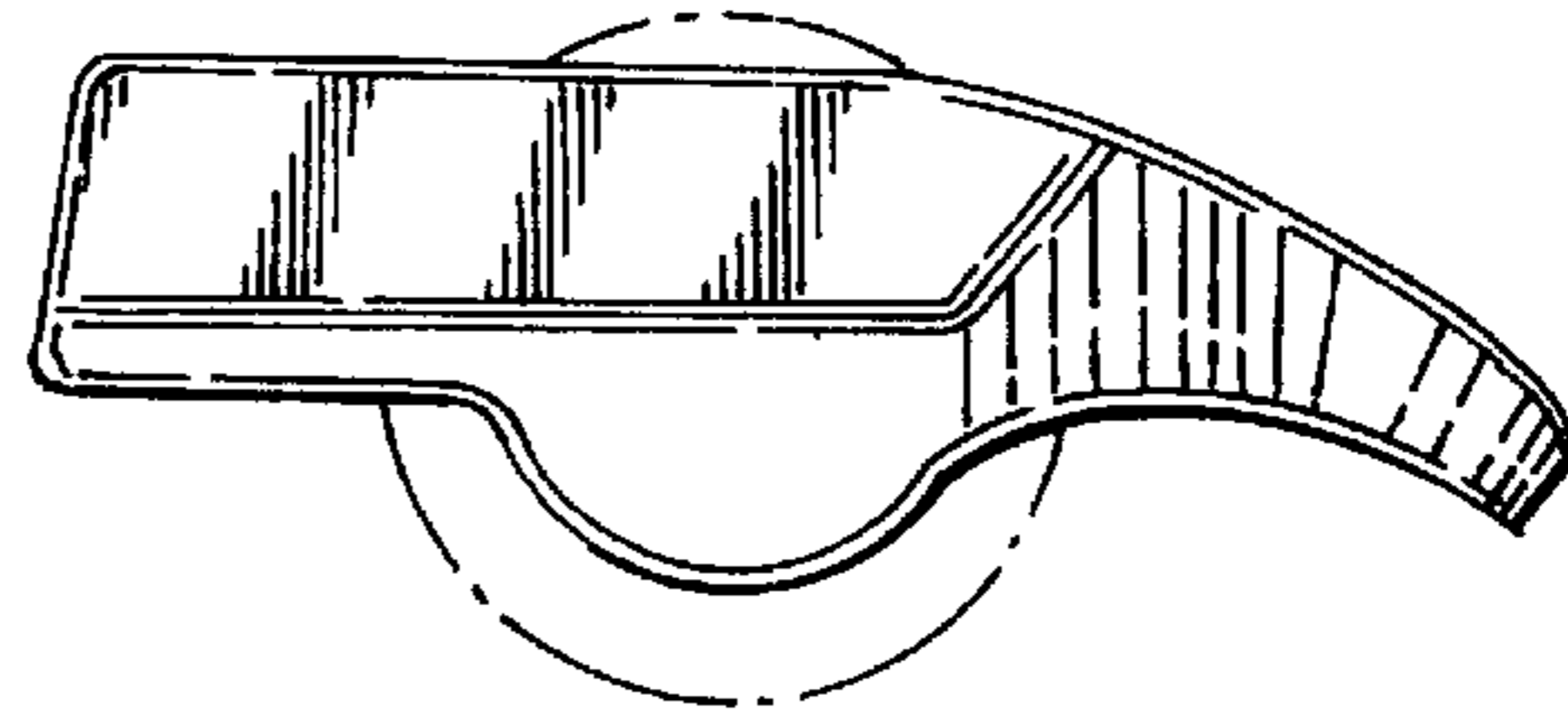


FIG. 2

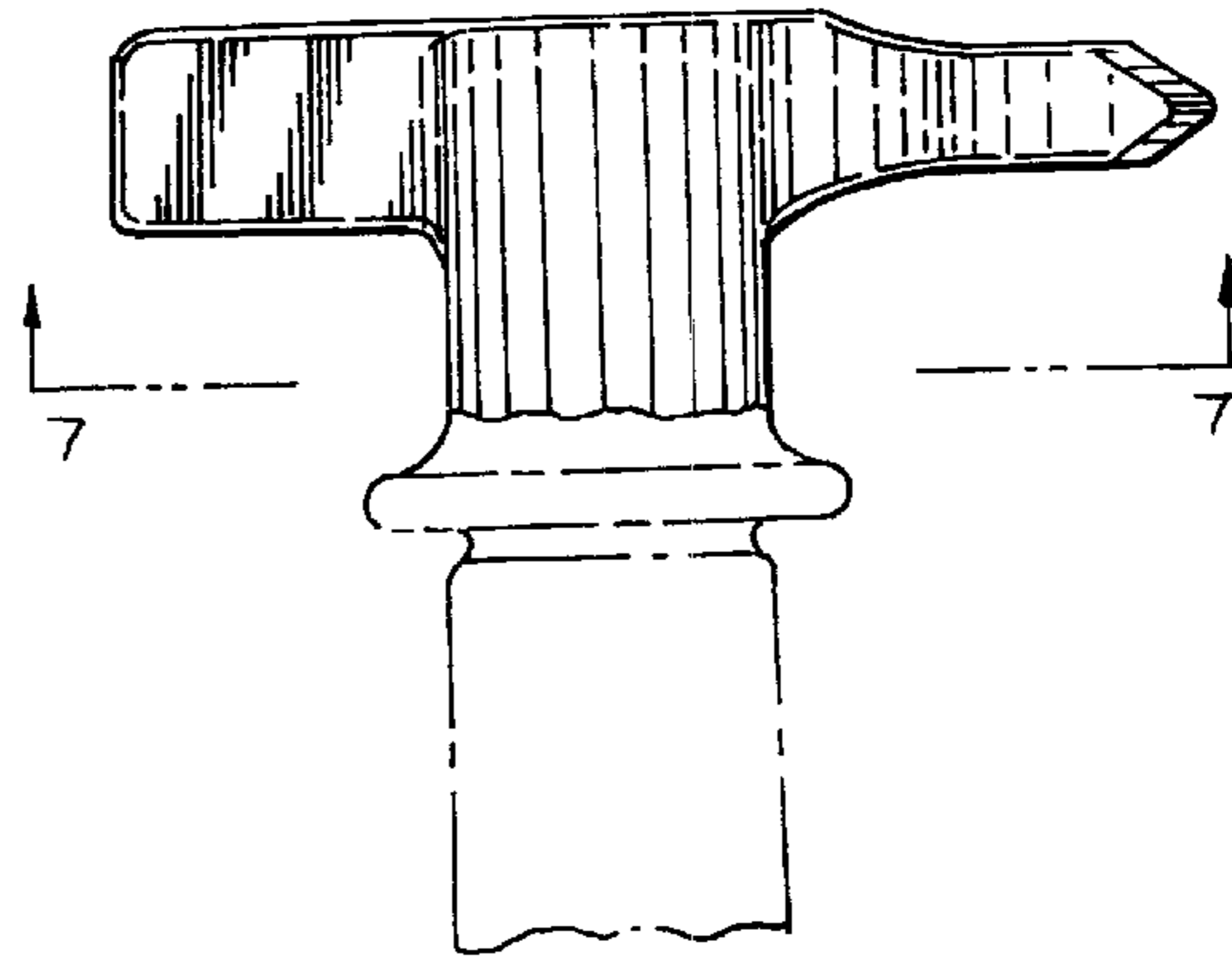


FIG. 3

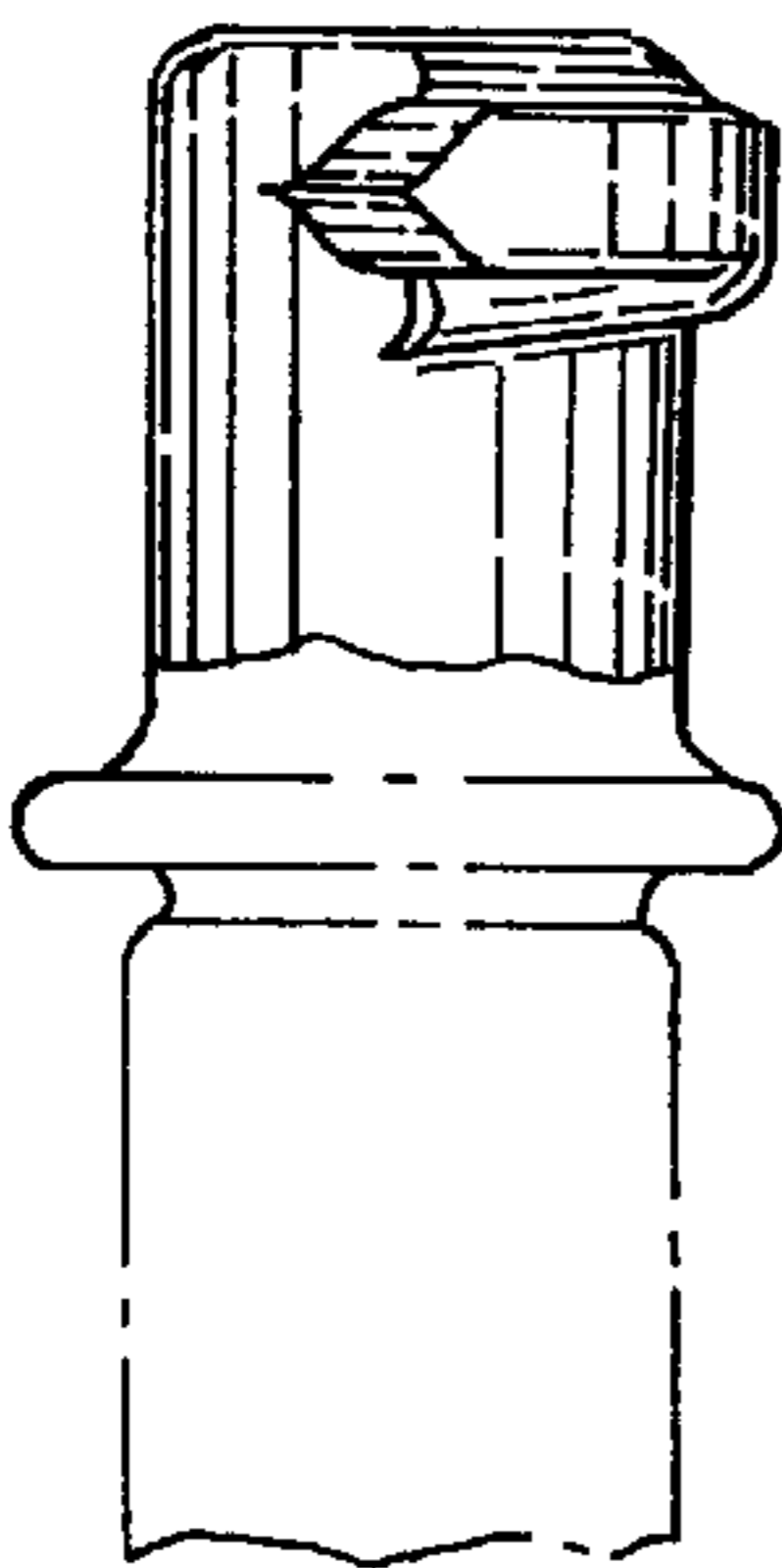


FIG. 4

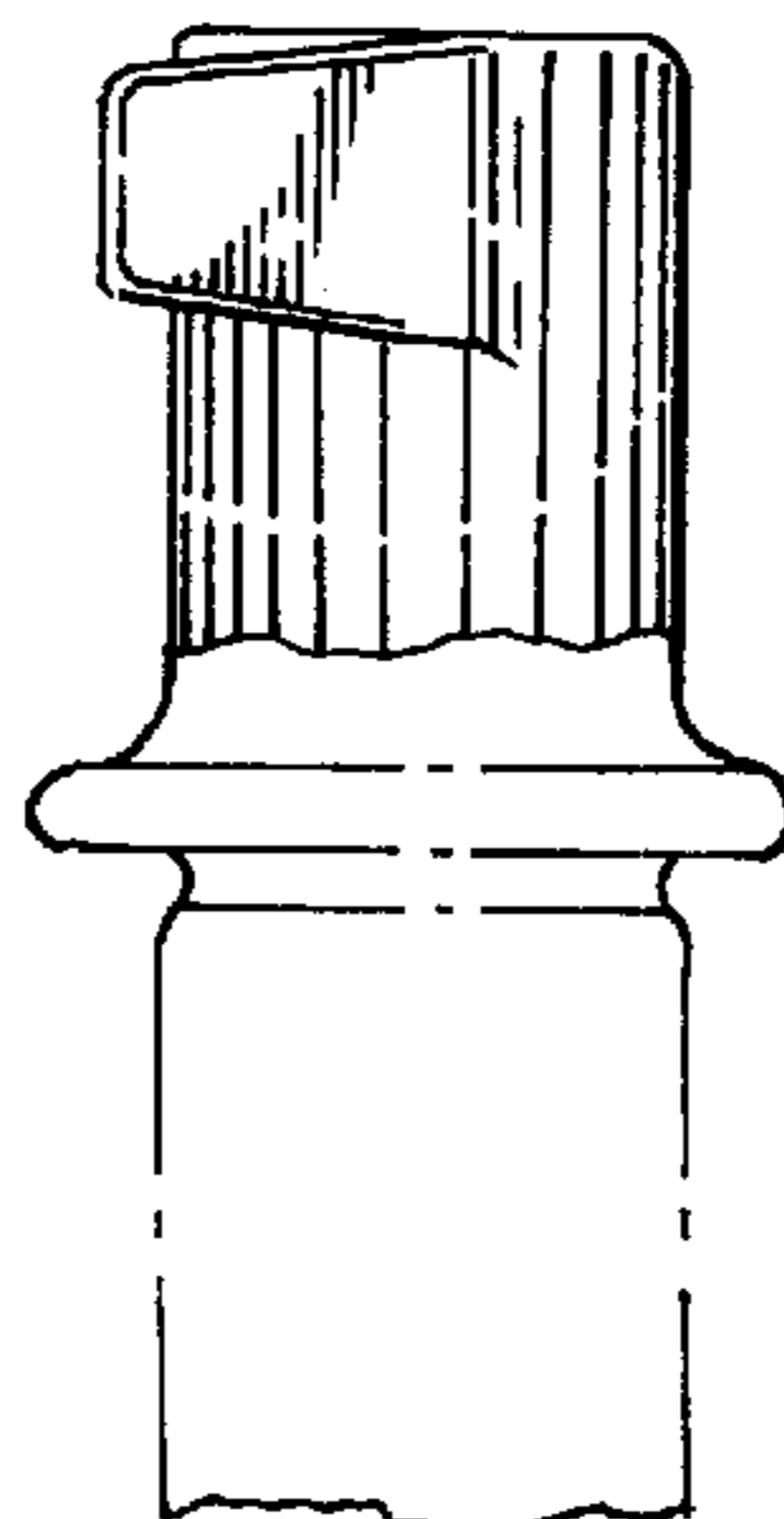


FIG. 5

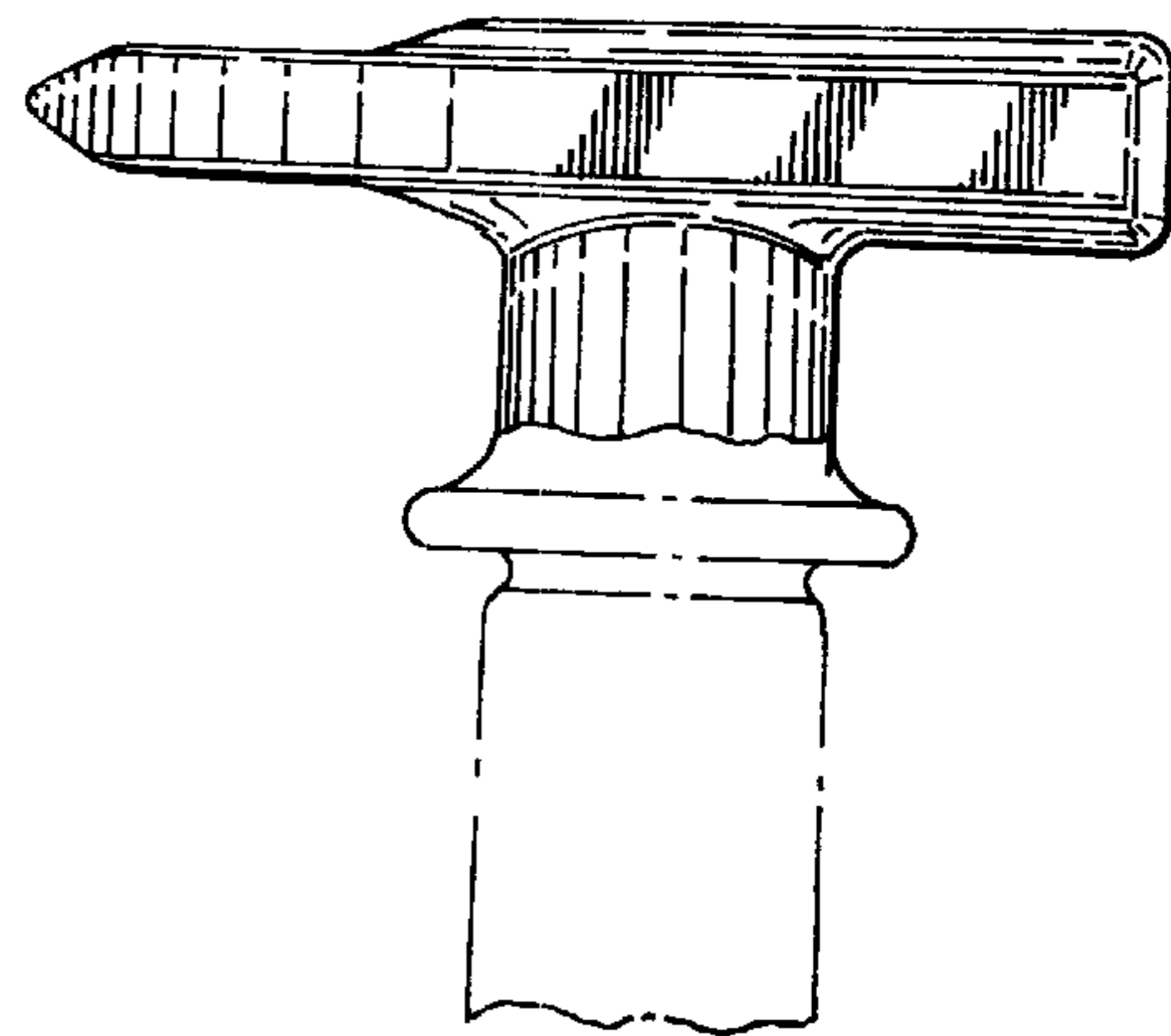


FIG. 6

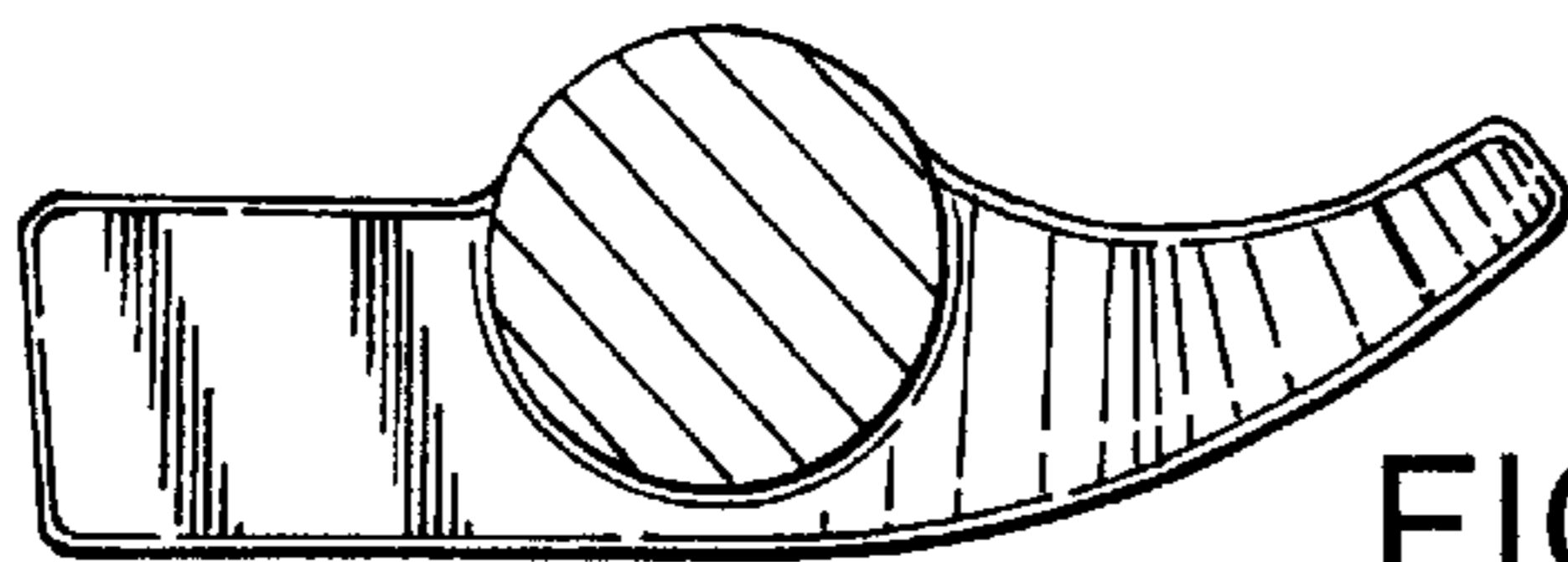


FIG. 7

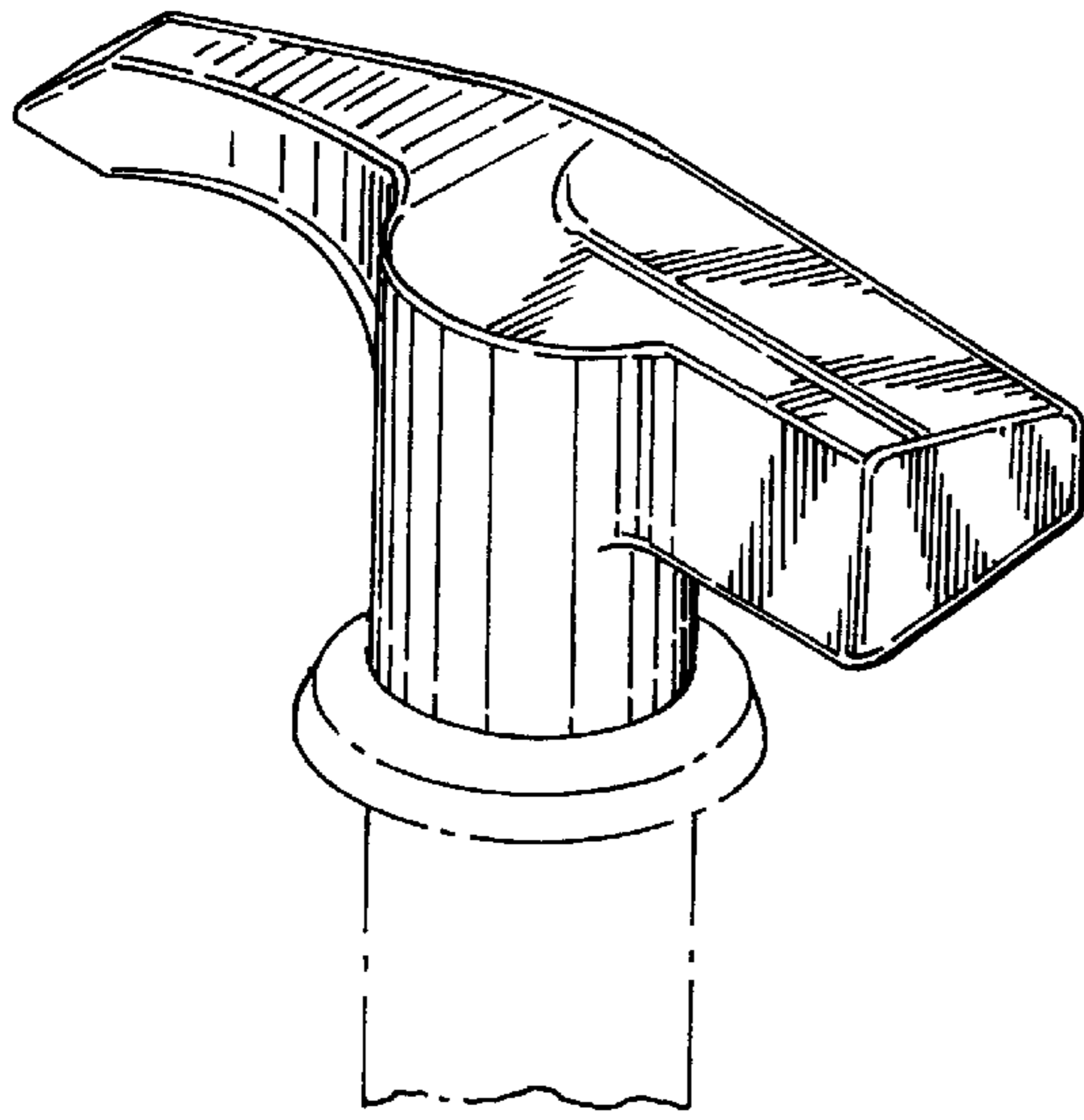


FIG. 8

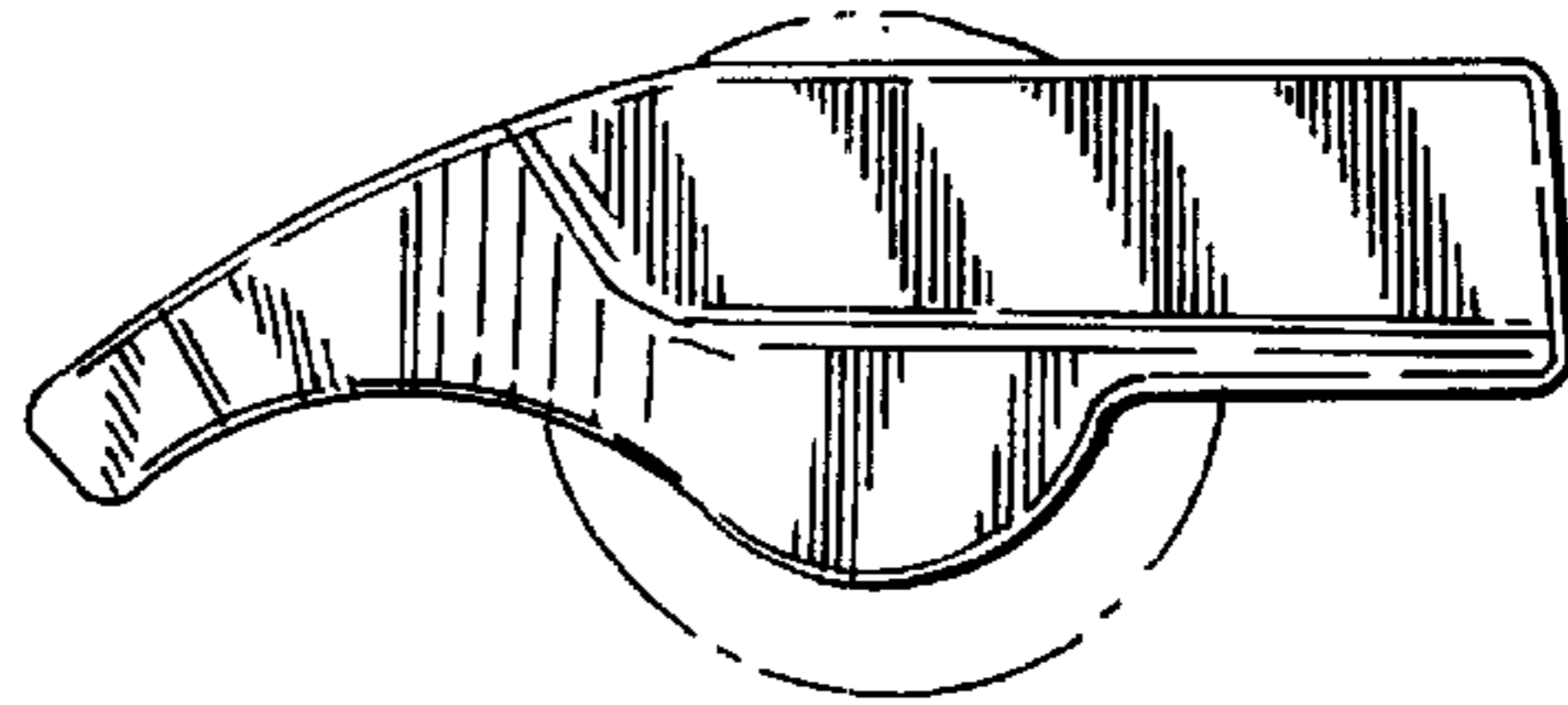


FIG. 9

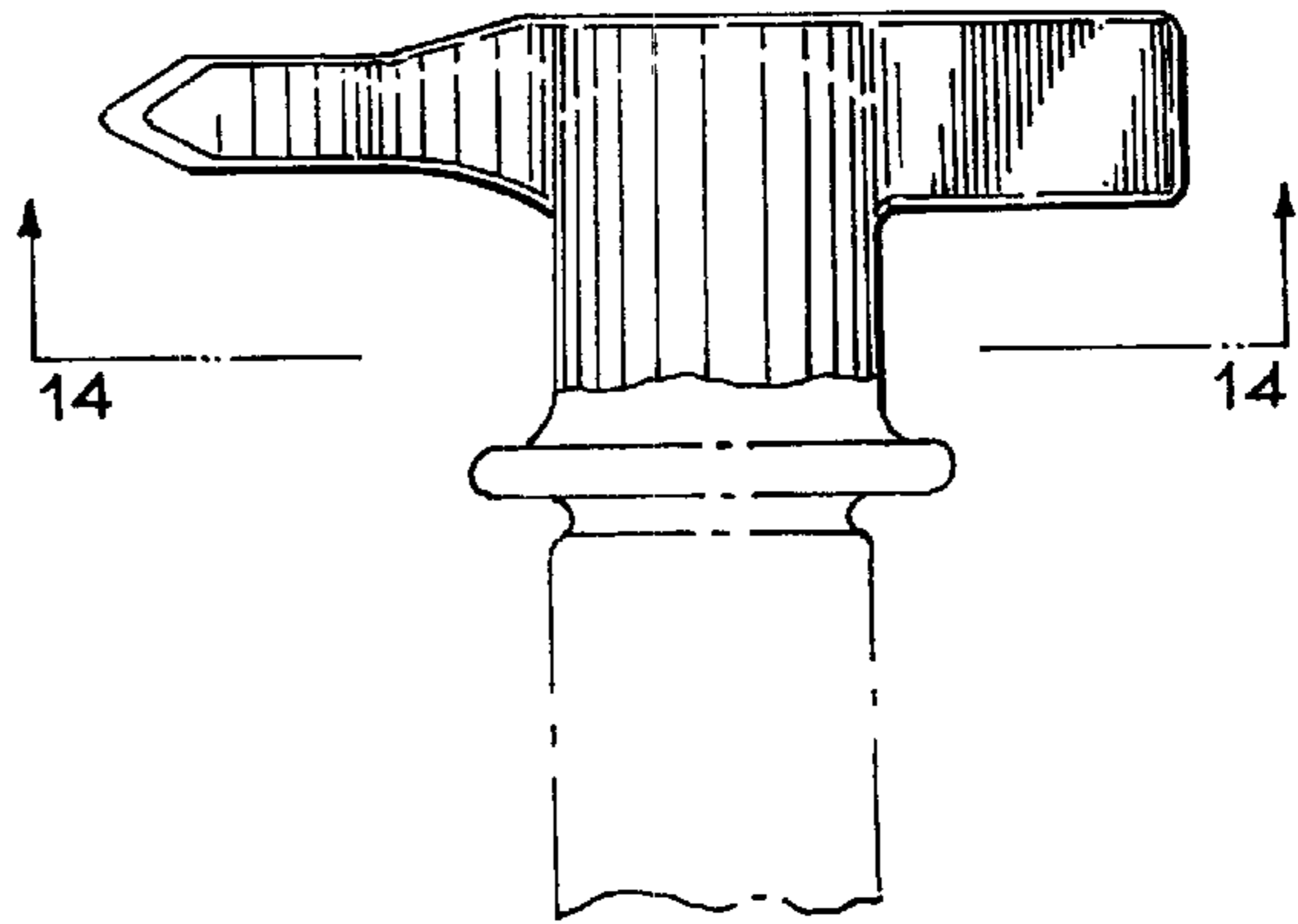


FIG. 10

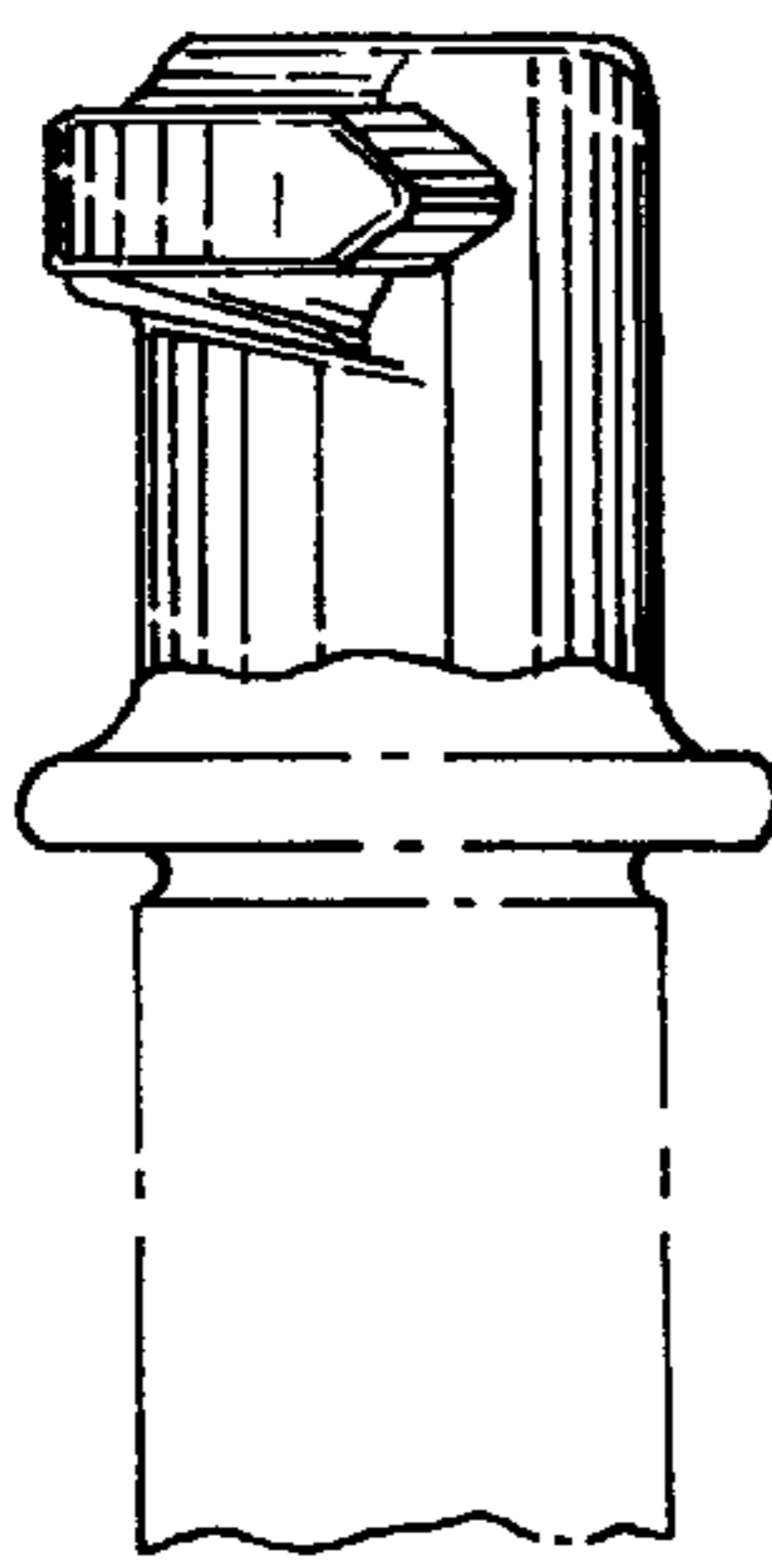


FIG. 11

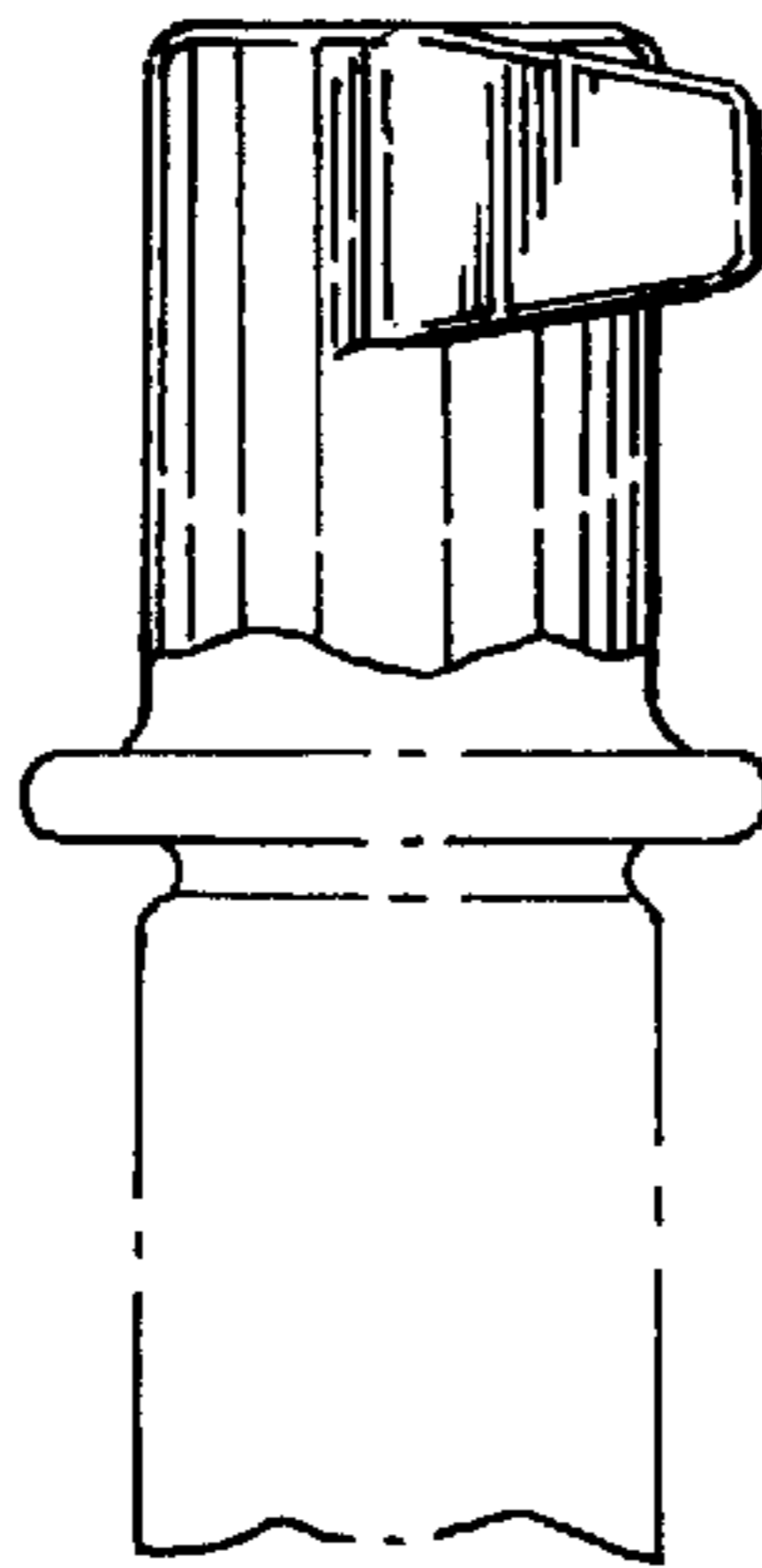


FIG. 12

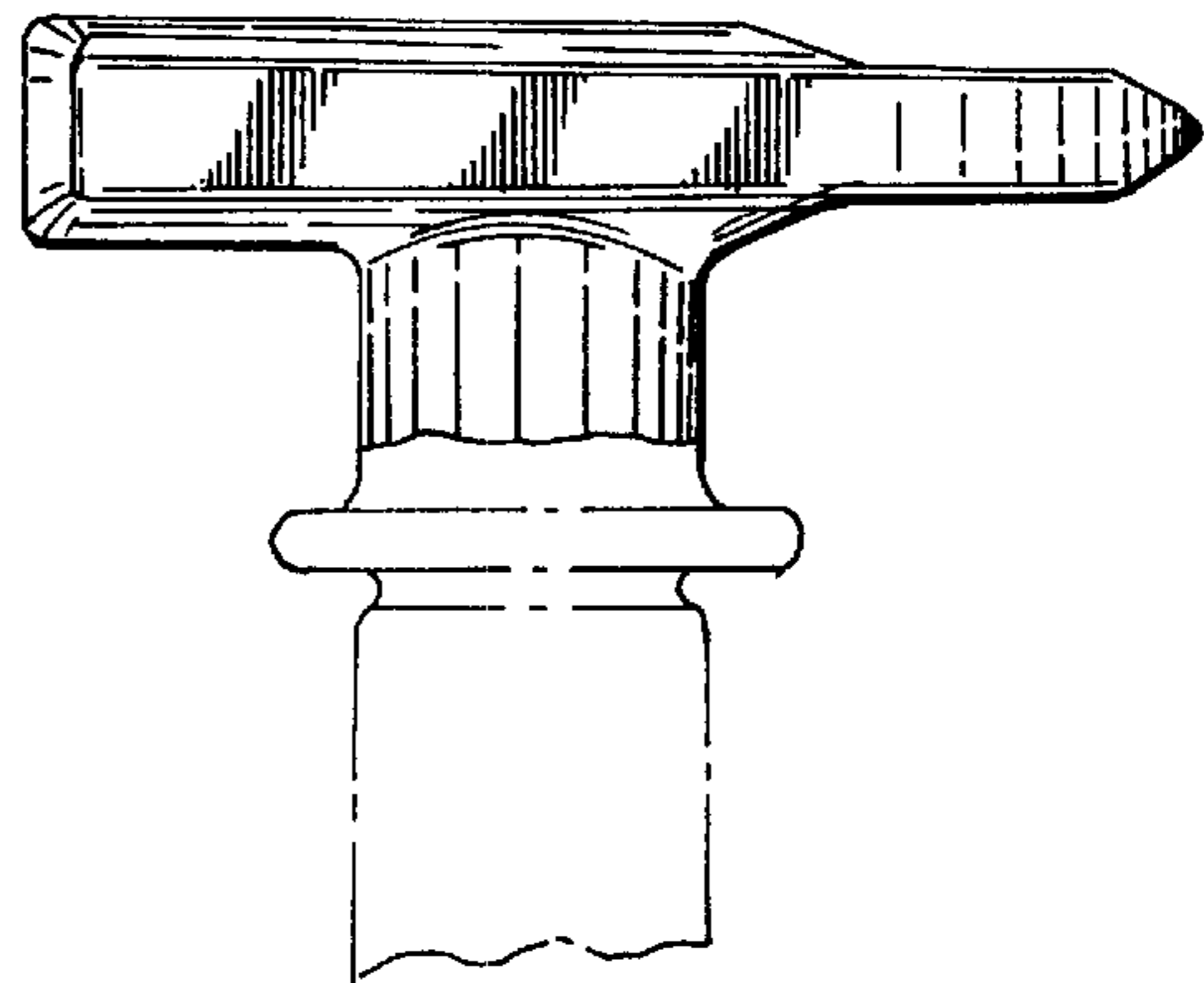


FIG. 13

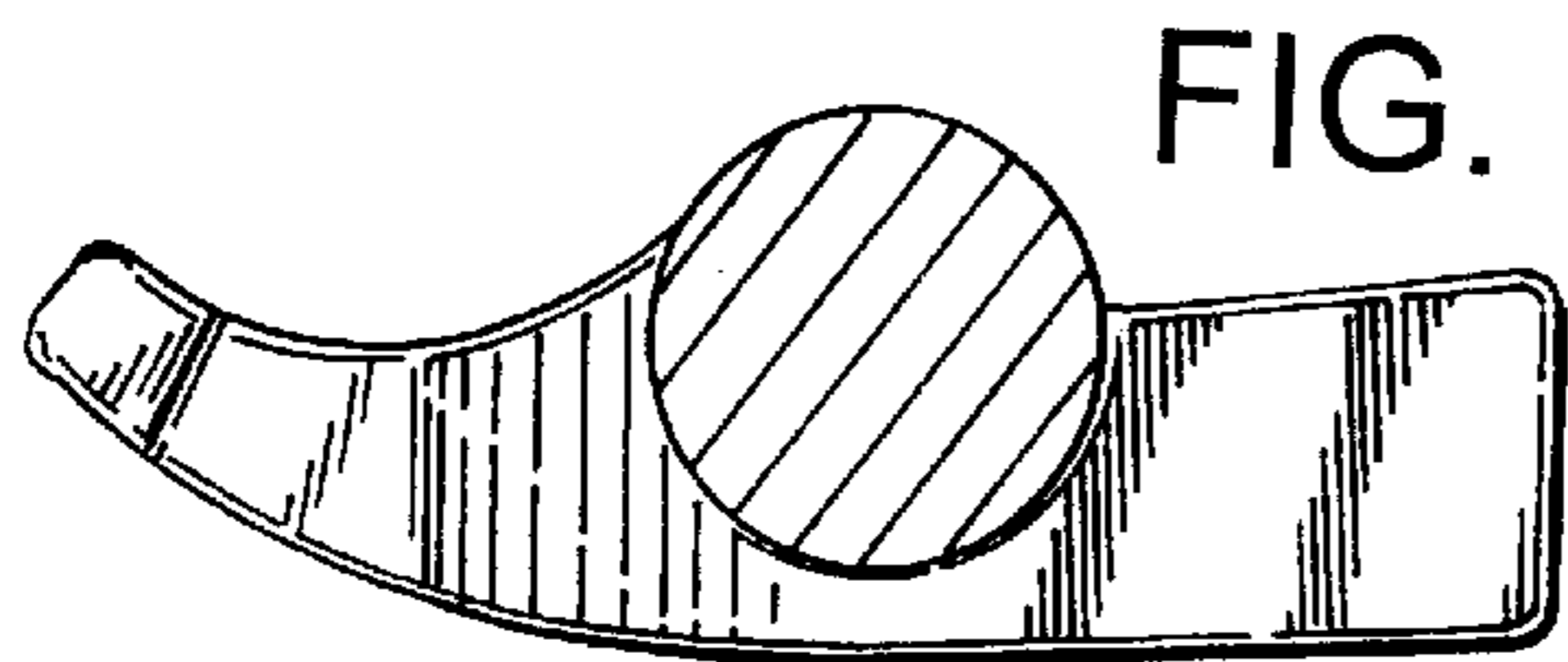


FIG. 14