



US00D481294S

(12) **United States Design Patent**  
**Trimble**

(10) **Patent No.:** **US D481,294 S**

(45) **Date of Patent:** **\*\* Oct. 28, 2003**

(54) **DOOR LOCK AND KNOB ASSEMBLY**

(76) **Inventor:** **James Randall Trimble, P.O. Box 7255, Eureka, CA (US) 95501**

(\*\*) **Term:** **14 Years**

(21) **Appl. No.:** **29/158,810**

(22) **Filed:** **Apr. 9, 2002**

(51) **LOC (7) Cl.** ..... **08-07**

(52) **U.S. Cl.** ..... **D8/331**

(58) **Field of Search** ..... D8/330, 331, 338, D8/341, 343; 70/271, 277, 278.1, 278.4, 284, 285; 292/DIG. 37; 340/5.21, 5.54, 5.65, 5.73, 5.81, 5.85

(56) **References Cited**

**U.S. PATENT DOCUMENTS**

5,475,996 A \* 12/1995 Chen ..... 70/278 X  
D365,976 S \* 1/1996 Chiu ..... D8/330

D388,308 S \* 12/1997 Evans et al. .... D8/330  
5,841,361 A \* 11/1998 Hoffman ..... 340/825.31  
D452,640 S \* 1/2002 Gartner ..... D8/330  
D452,807 S \* 1/2002 Gartner ..... D8/330

\* cited by examiner

*Primary Examiner*—Brian N. Vinson

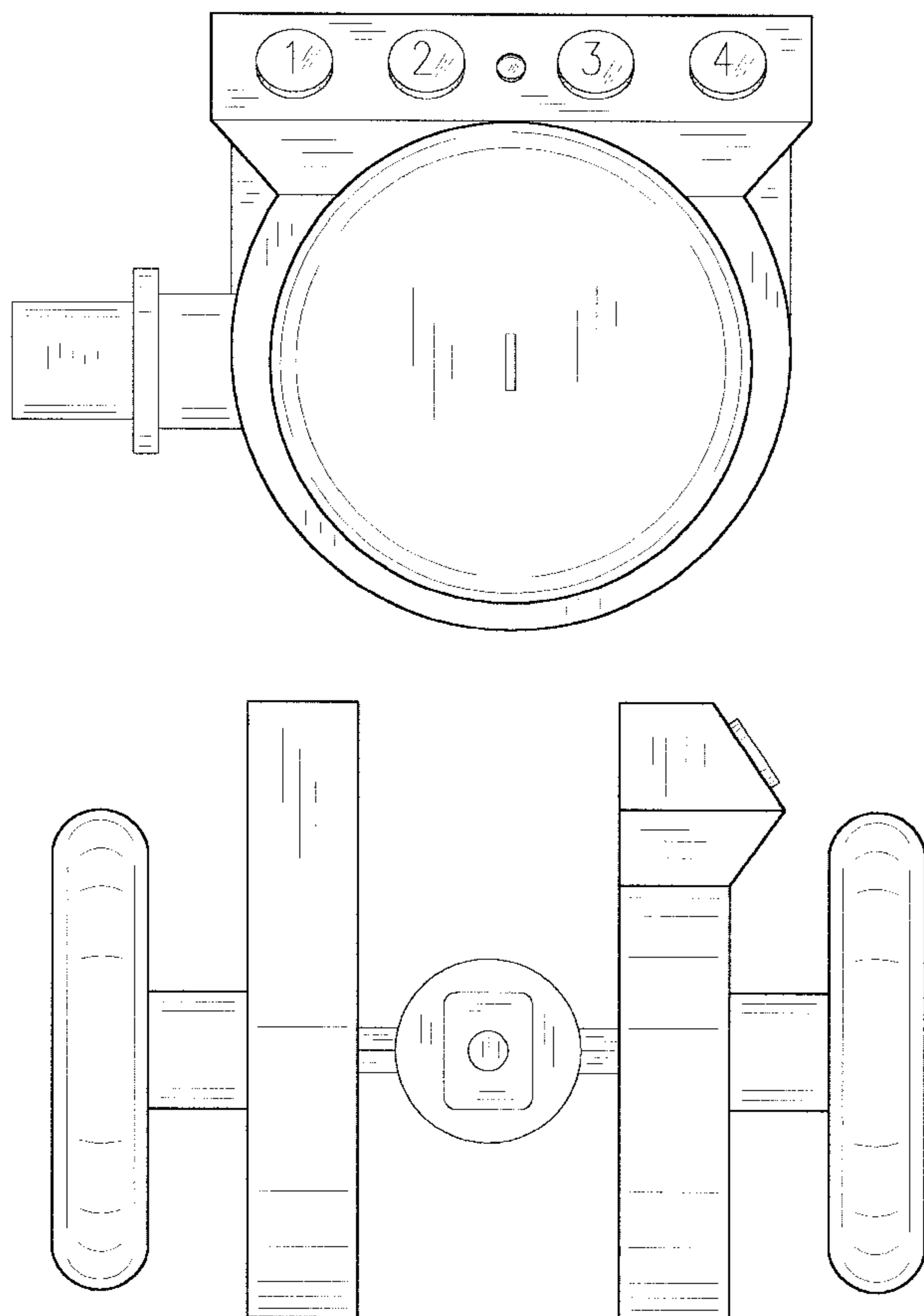
(57) **CLAIM**

The ornamental design for a door lock and knob assembly, as shown and described.

**DESCRIPTION**

FIG. 1 is a front elevational view of a door lock and knob assembly showing my new design;  
FIG. 2 is a rear elevational view thereof;  
FIG. 3 is a side view, taken from the left side of FIG. 1;  
FIG. 4 is a side view, taken from the right side of FIG. 1;  
FIG. 5 is a top plan view thereof; and,  
FIG. 6 is a bottom plan view thereof.

**1 Claim, 6 Drawing Sheets**



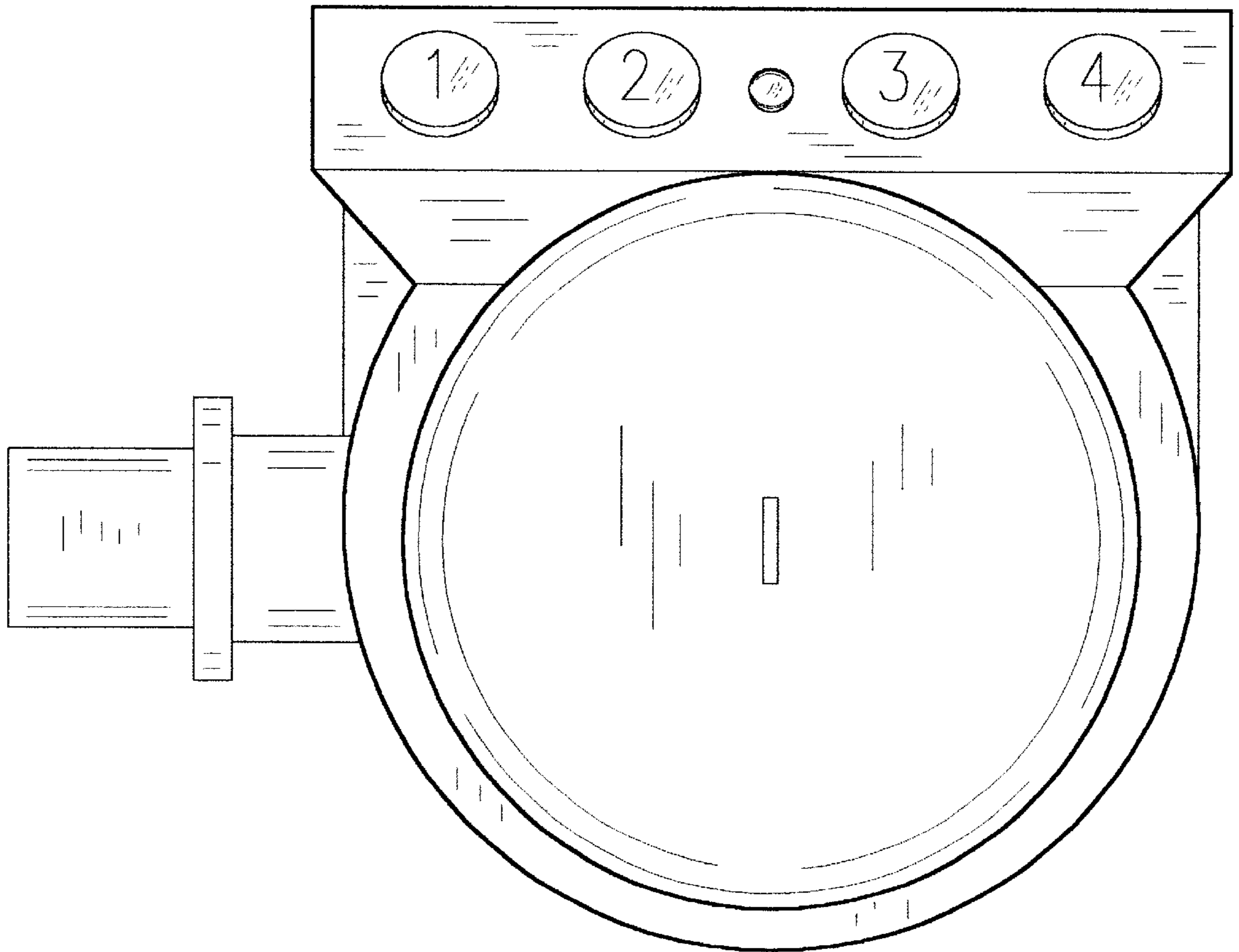


FIG. 1

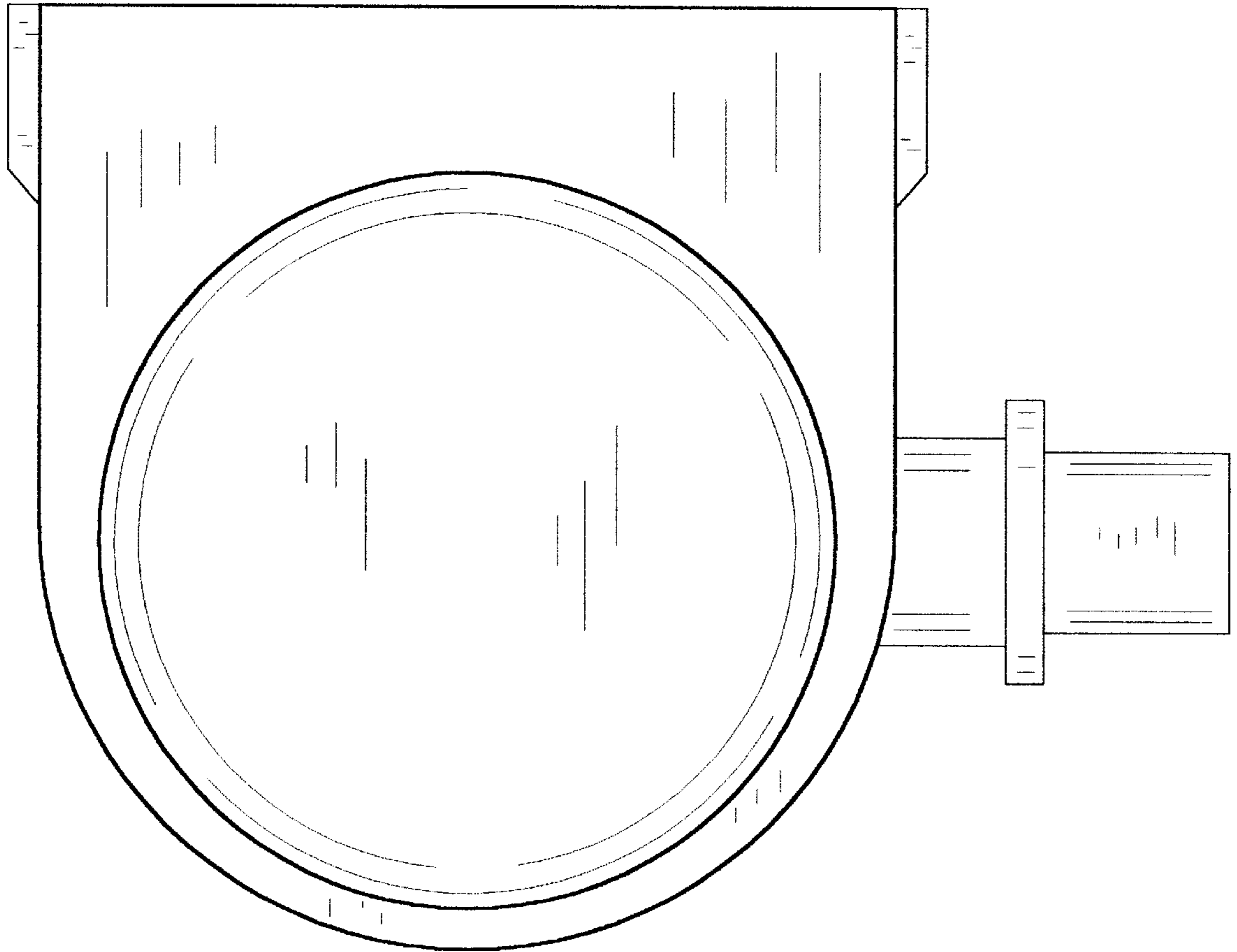


FIG. 2

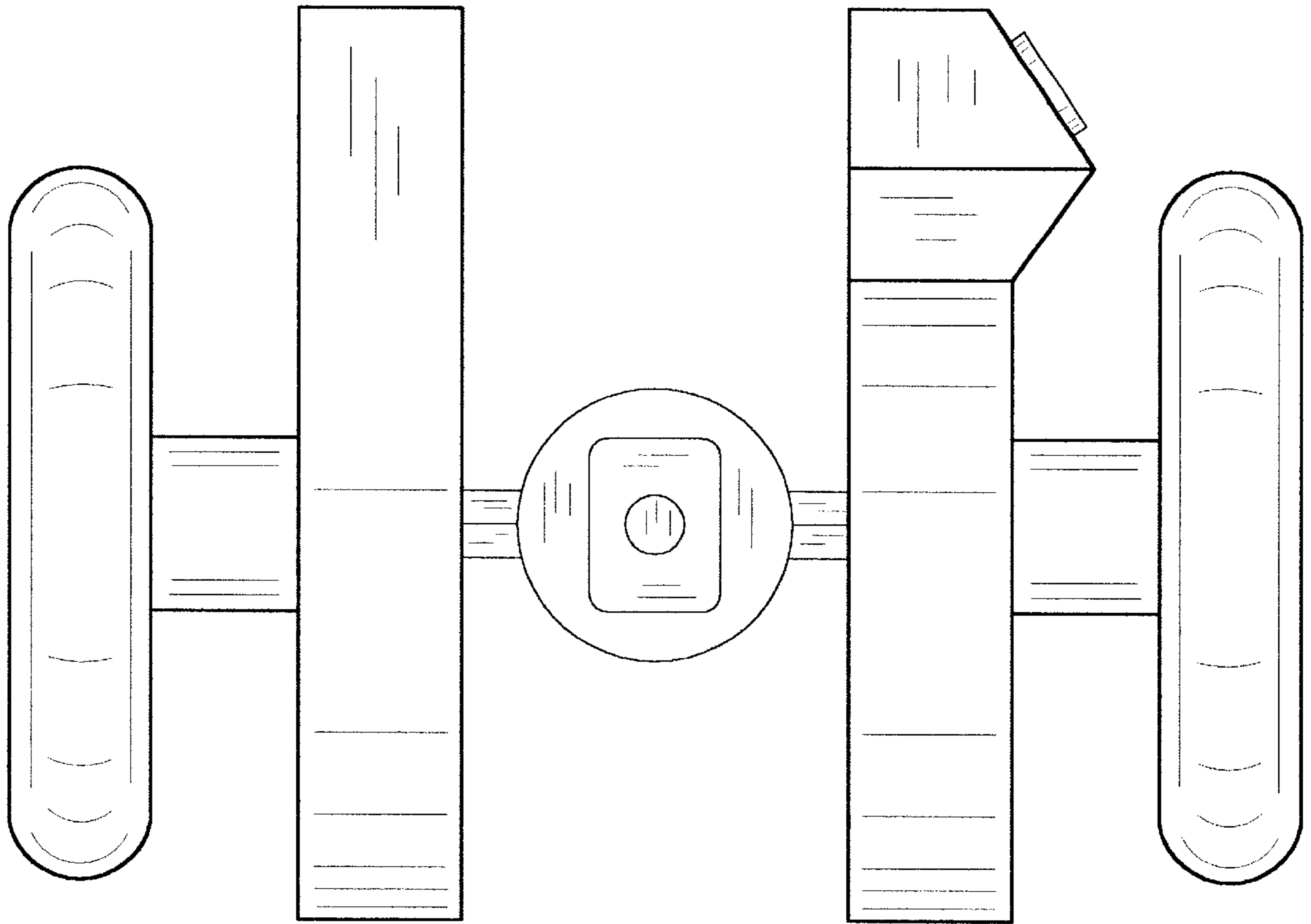


FIG. 3

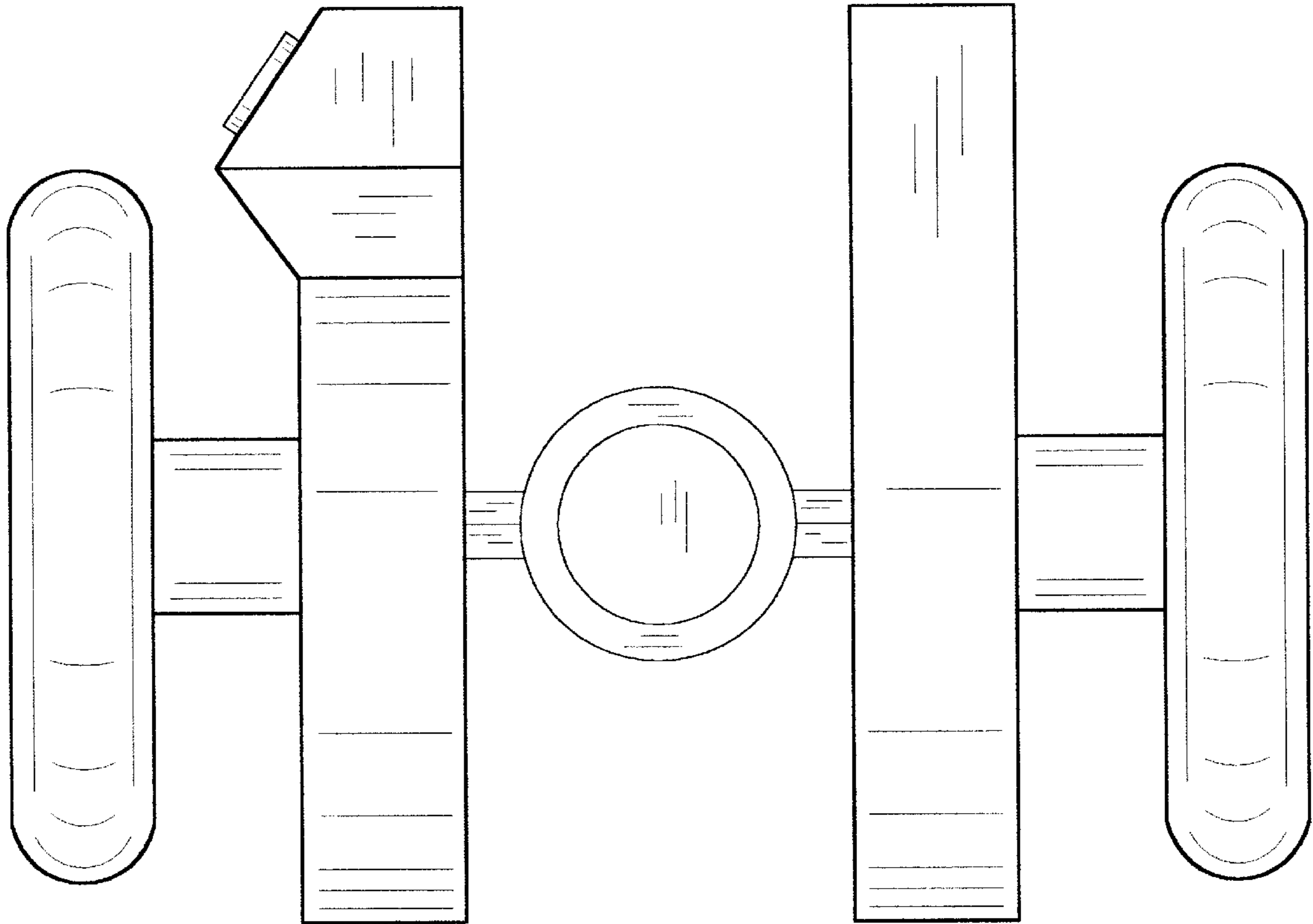


FIG. 4

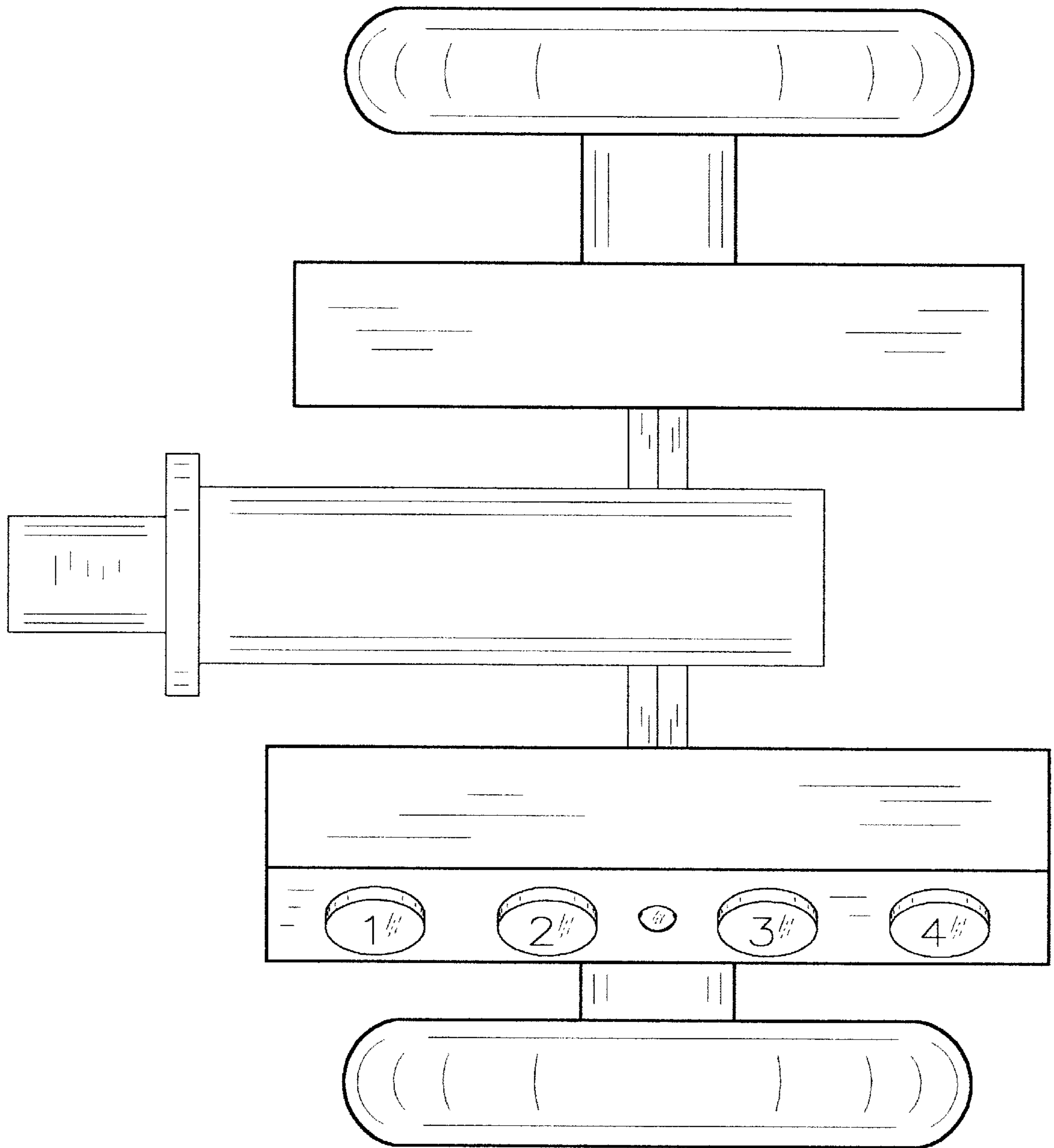


FIG. 5

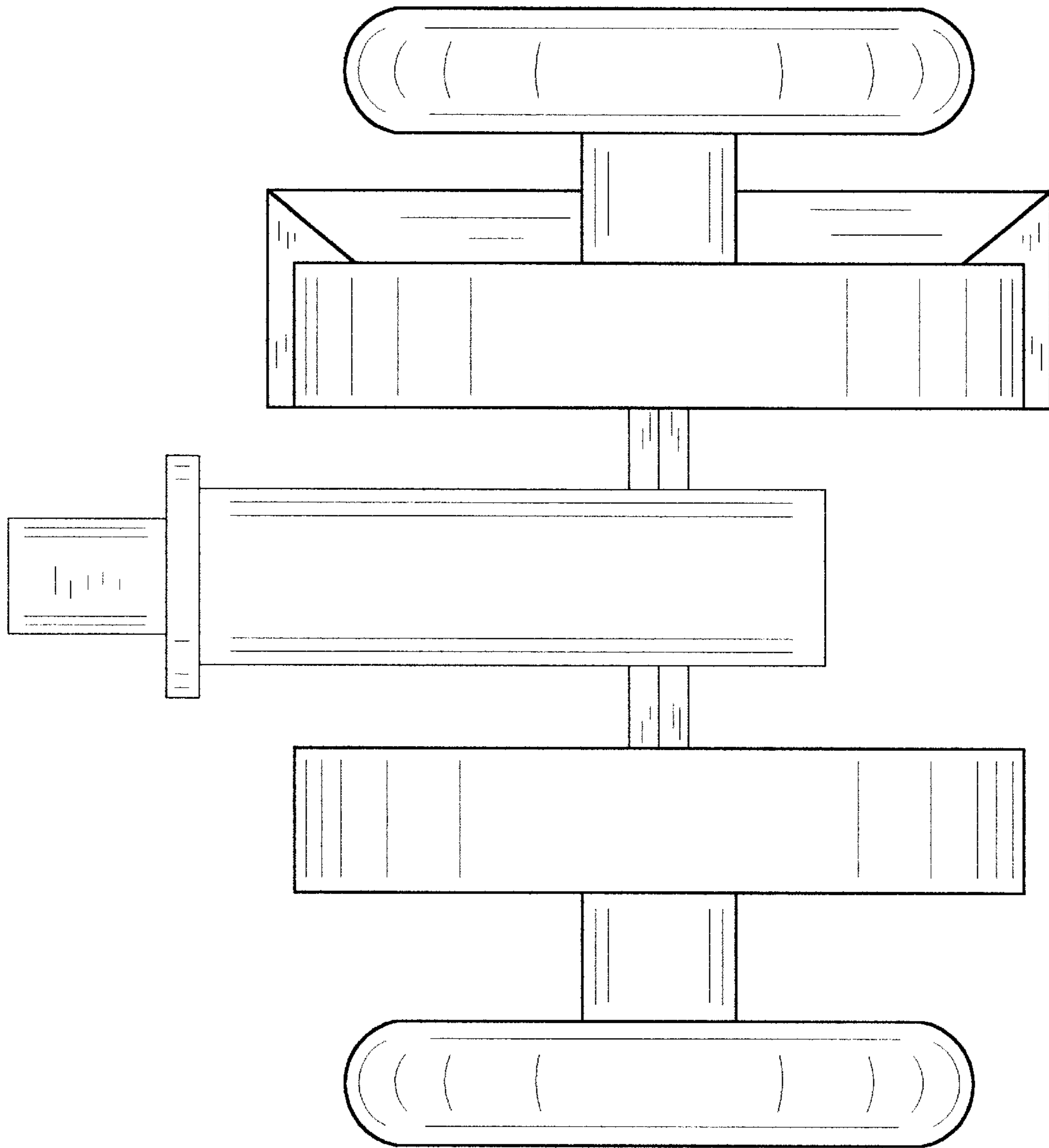


FIG. 6