



US00D481293S

(12) **United States Design Patent**
Ayrest

(10) **Patent No.:** **US D481,293 S**

(45) **Date of Patent:** **** Oct. 28, 2003**

(54) **LATCH**

(76) Inventor: **Bob Ayrest**, 6160 Cobblestone Rd.,
Placerville, CA (US) 95667

(**) Term: **14 Years**

(21) Appl. No.: **29/158,383**

(22) Filed: **Apr. 2, 2002**

(51) **LOC (7) Cl.** **08-07**

(52) **U.S. Cl.** **D8/331**

(58) **Field of Search** D8/330, 331, 343;
24/295, 458; 292/101, 107, 128, 129, 228

(56) **References Cited**

U.S. PATENT DOCUMENTS

3,288,508	A	*	11/1966	Maize et al.	292/128
D210,686	S	*	4/1968	Woolworth	D8/331
D324,165	S	*	2/1992	Bressler et al.	D8/331
D414,673	S	*	10/1999	Dickinson et al.	D8/331
D465,720	S	*	11/2002	Persson	D8/331

* cited by examiner

Primary Examiner—Brian N. Vinson

(74) *Attorney, Agent, or Firm*—Bernhard Kreten

(57) **CLAIM**

The ornamental design for a latch, as shown and described.

DESCRIPTION

FIG. 1 is a perspective view of a latch showing my new design.

FIG. 2 is a top view, the bottom being a mirror image thereof.

FIG. 3 is a front view thereof.

FIG. 4 is a right side view thereof.

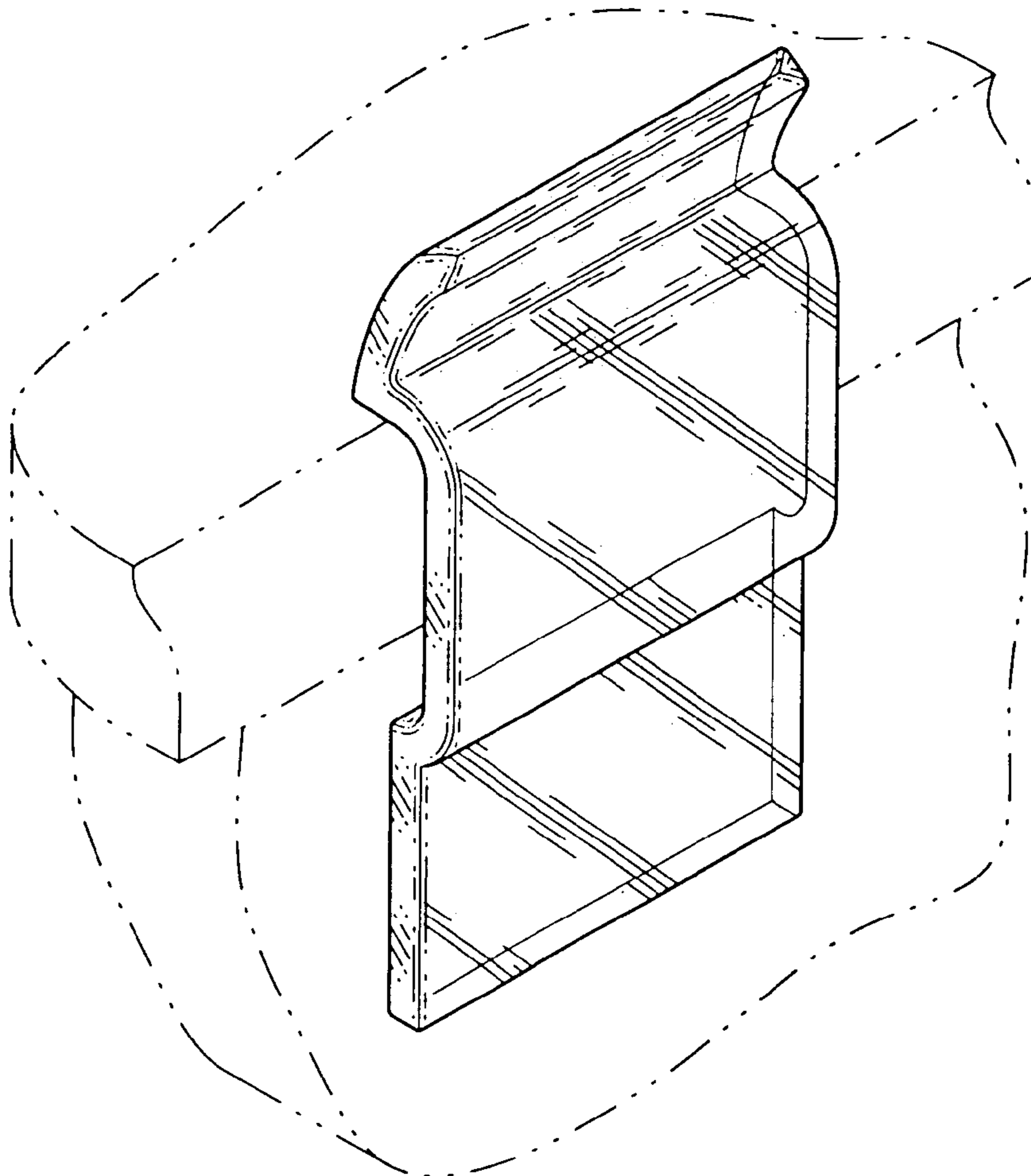
FIG. 5 is a rear view thereof.

FIG. 6 is a left side view thereof; and,

FIG. 7 is a perspective view in one possible environment.

The broken-line showing of environmental structure in FIG. 7 is for illustrative purposes only and forms no part of the claimed design.

1 Claim, 1 Drawing Sheet



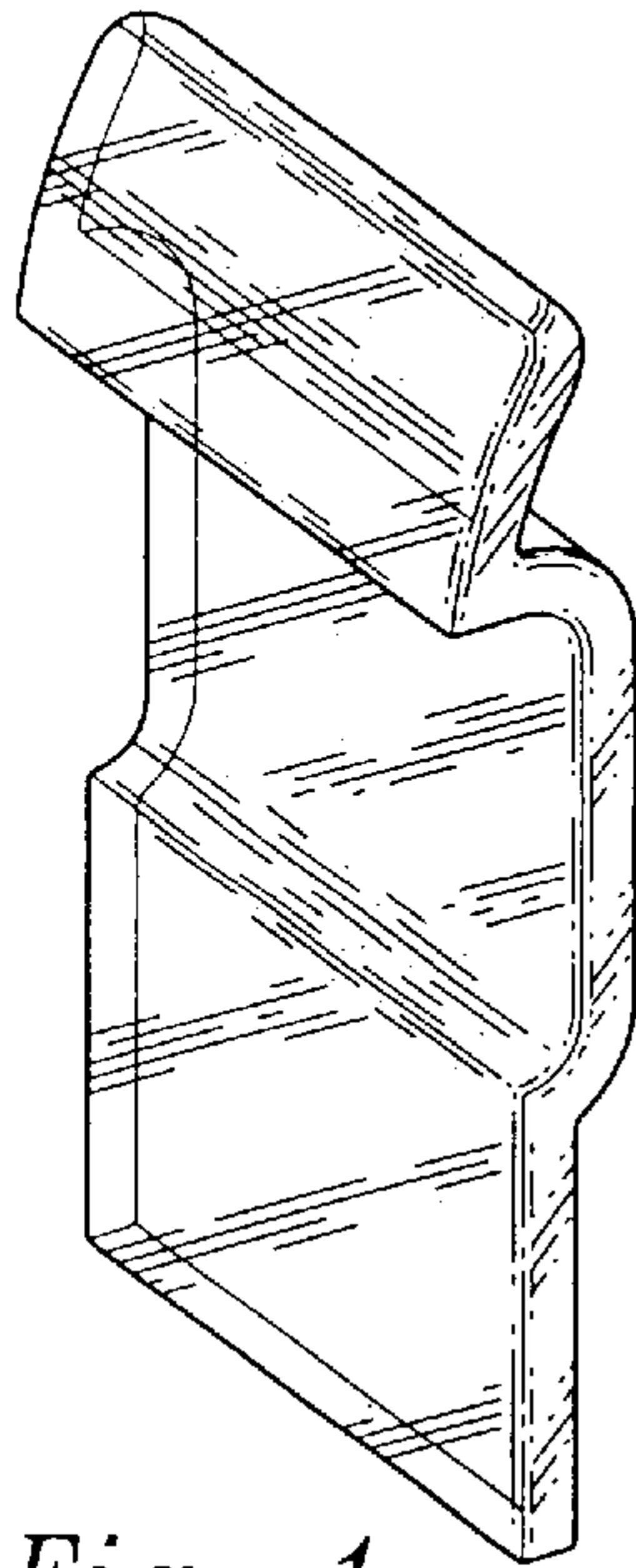


Fig. 1

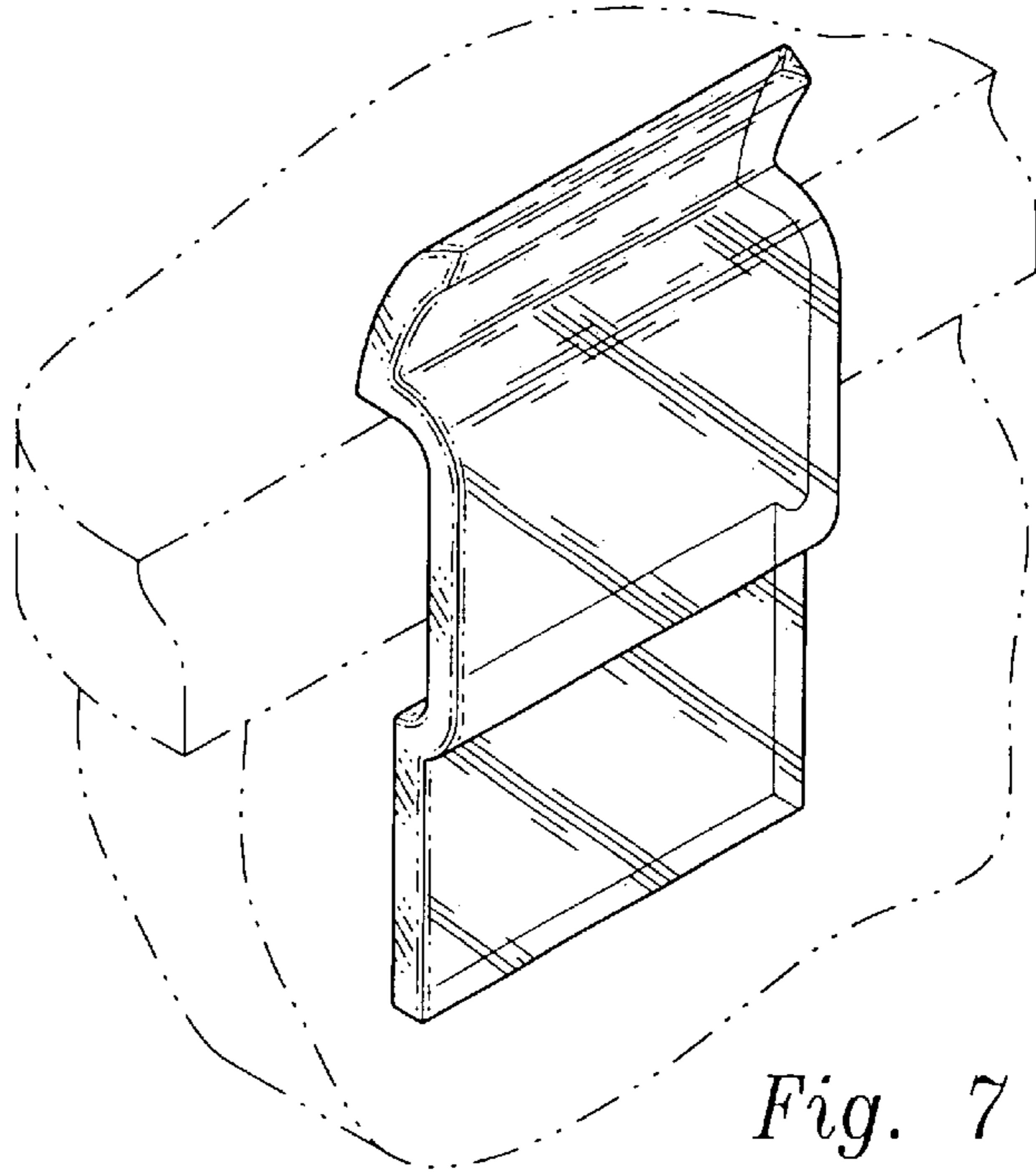


Fig. 7

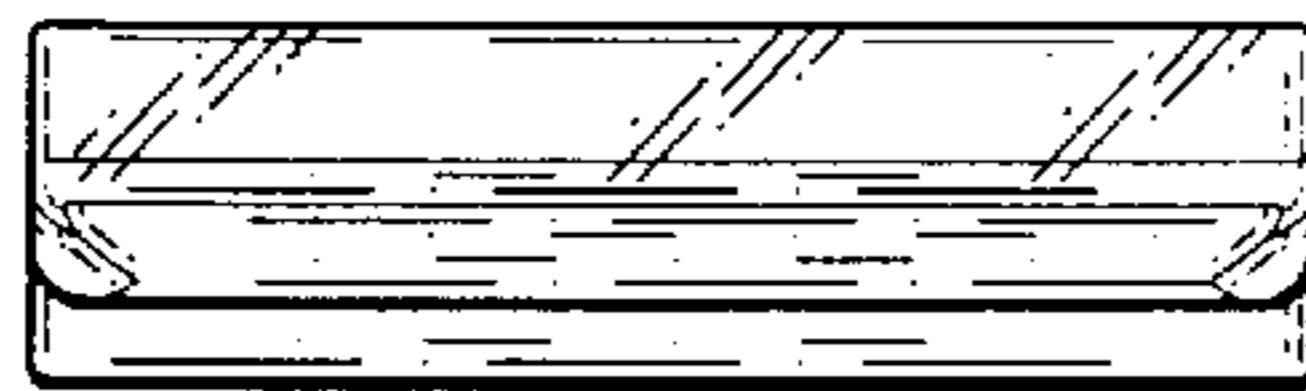


Fig. 3

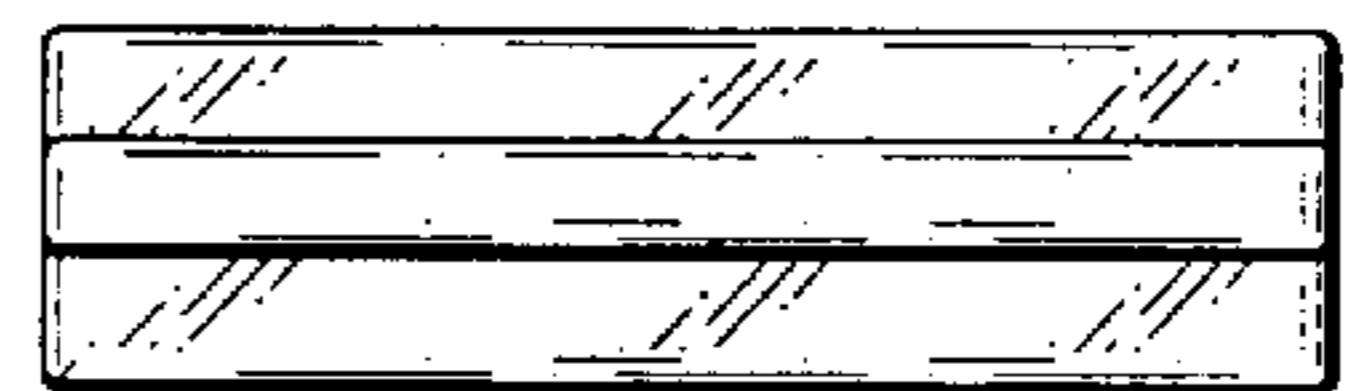


Fig. 5



Fig. 2

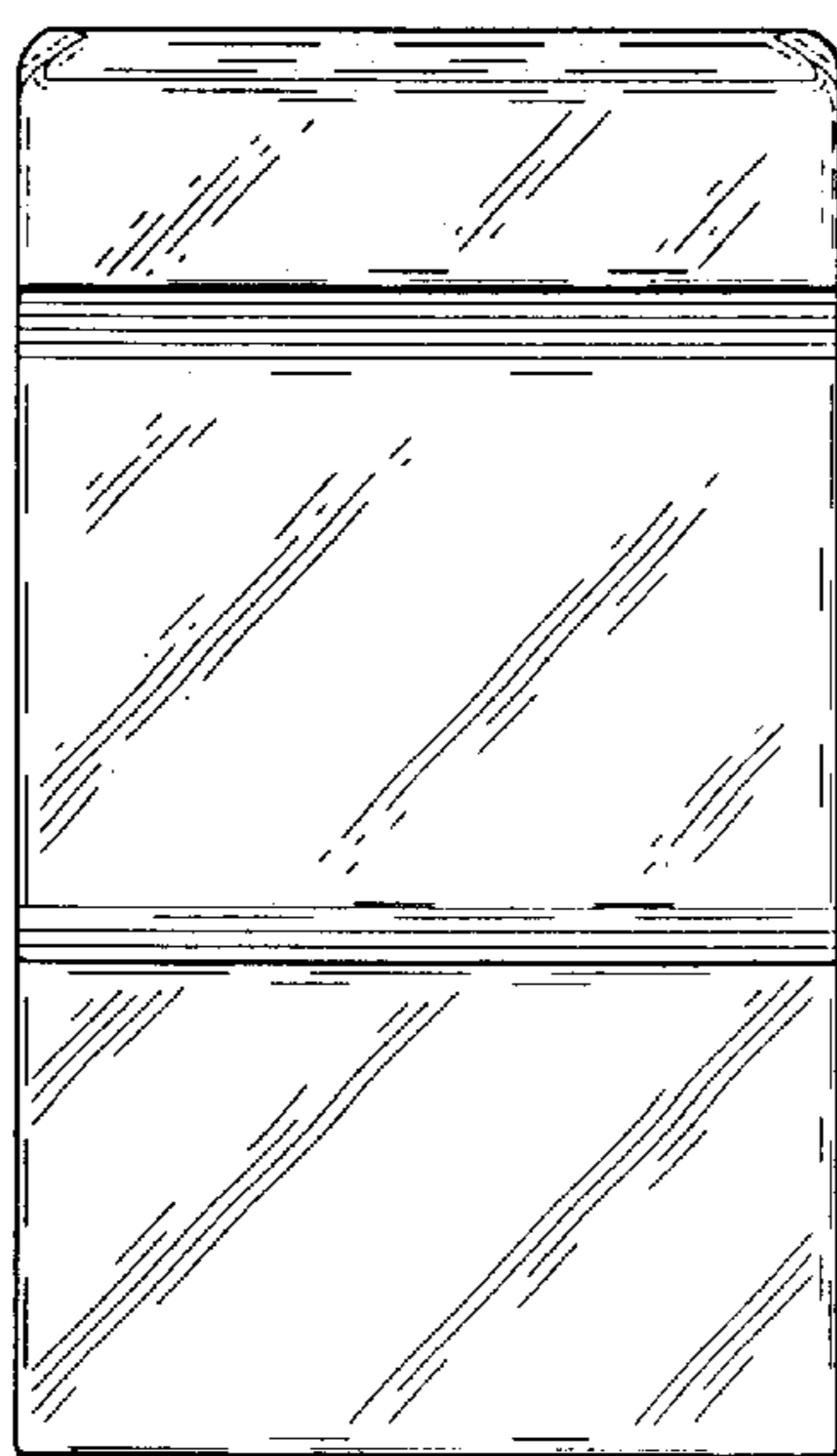


Fig. 6

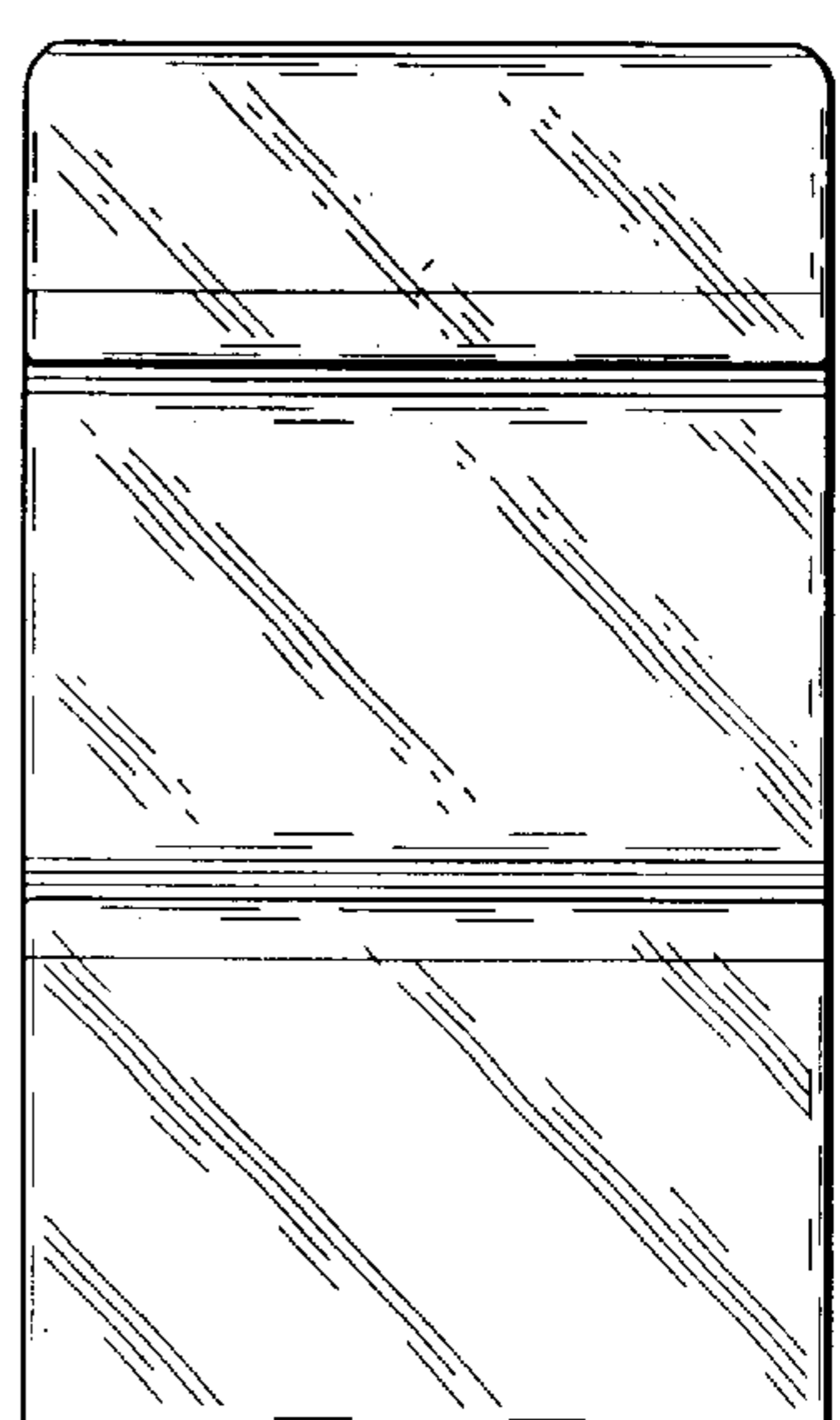


Fig. 4