



US00D481287S

(12) **United States Design Patent**
Crist

(10) **Patent No.:** **US D481,287 S**

(45) **Date of Patent:** **** Oct. 28, 2003**

(54) **DRAWKNIFE WITH WRIST SUPPORT**

(76) **Inventor:** **Michael O. Crist**, 1540 Broadview Ct.,
Ely, IA (US) 52227

(**) **Term:** **14 Years**

(21) **Appl. No.:** **29/169,882**

(22) **Filed:** **Oct. 29, 2002**

(51) **LOC (7) Cl.** **08-03**

(52) **U.S. Cl.** **D8/98**

(58) **Field of Search** D8/14, 98, 99,
D8/107; 30/294, 162, 314, 315, 320, 298

(56) **References Cited**

U.S. PATENT DOCUMENTS

2,353,557 A	7/1944	Guthrie	
3,839,788 A *	10/1974	Addis	30/287
D260,358 S *	8/1981	Wilson et al.	D8/98
4,283,854 A *	8/1981	Austin	30/314
4,924,571 A	5/1990	Albertson	
4,924,924 A	5/1990	Stewart	
5,275,068 A	1/1994	Wrench	74/557
D352,440 S *	11/1994	Perigny	D8/98
D353,528 S *	12/1994	Glass	D8/98

5,471,698 A	12/1995	Francis et al.	
5,493,782 A	2/1996	Gulko	30/228
5,634,213 A	6/1997	Grover	2/161.1
5,774,937 A	7/1998	Caminos	16/114 R
5,809,570 A	9/1998	Grover	2/161.2
5,937,627 A	8/1999	McKittrick	
6,006,751 A	12/1999	Spitzer	128/878
6,029,321 A	2/2000	Fisher	24/306

* cited by examiner

Primary Examiner—Philip S. Hyder

(74) *Attorney, Agent, or Firm*—Norman Rainer

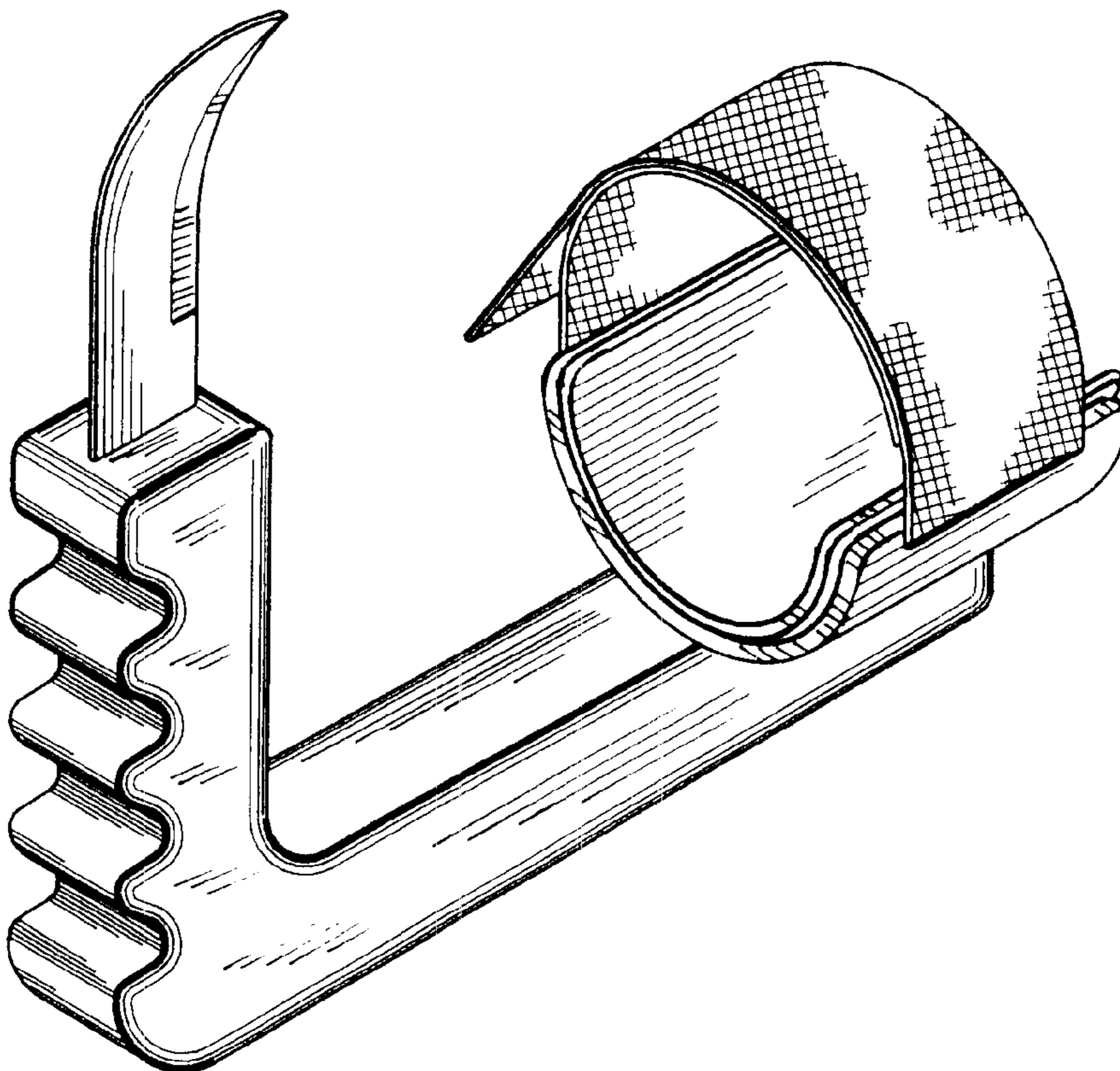
(57) **CLAIM**

The ornamental design for a drawknife with wrist support, as shown and described.

DESCRIPTION

FIG. 1 is a front and side perspective view of a drawknife with wrist support showing my new design; FIG. 2 is a right side view thereof; FIG. 3 is a front view thereof; FIG. 4 is a rear view thereof; and, FIG. 5 is a top view thereof.

1 Claim, 2 Drawing Sheets



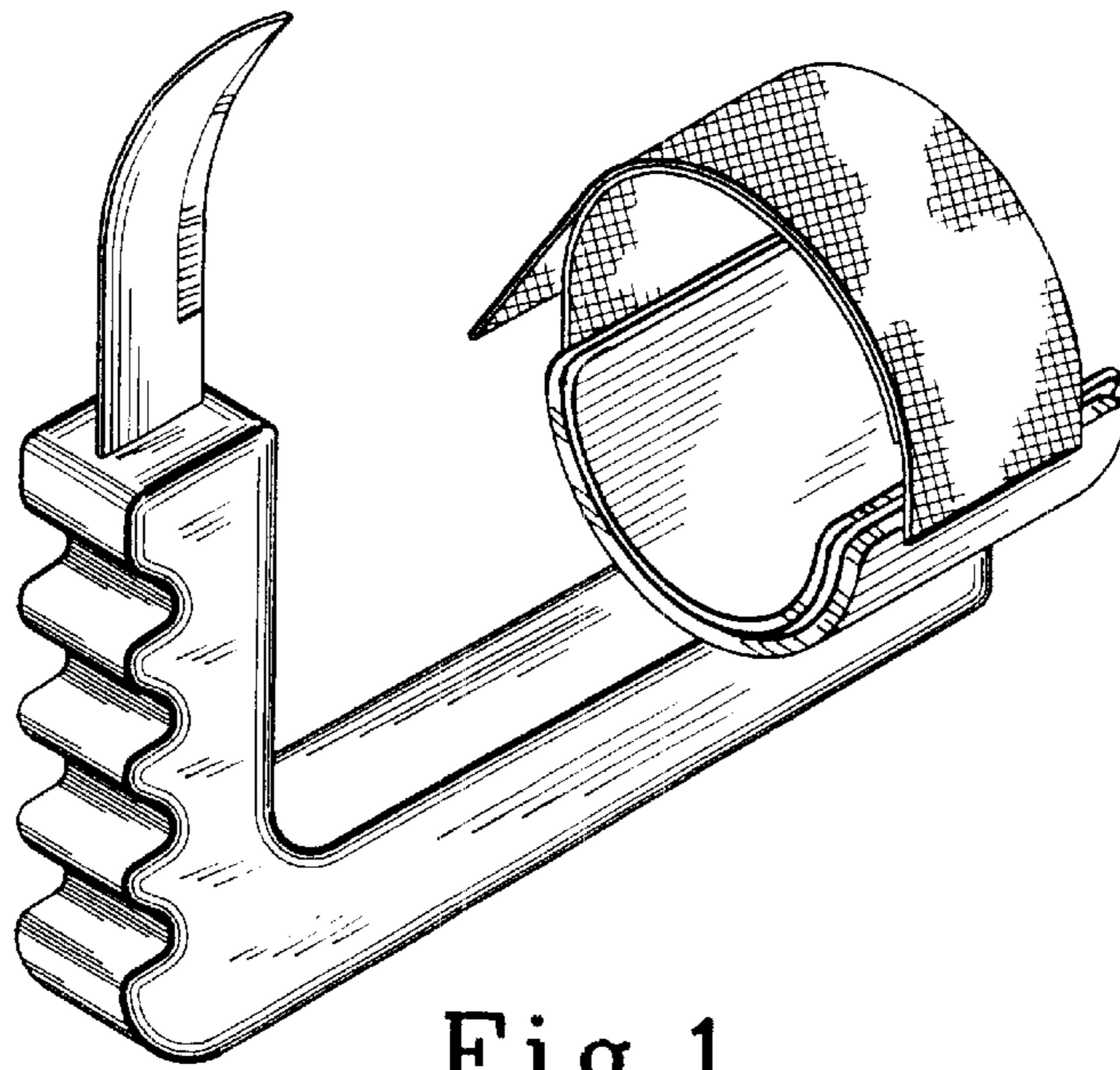


Fig.1

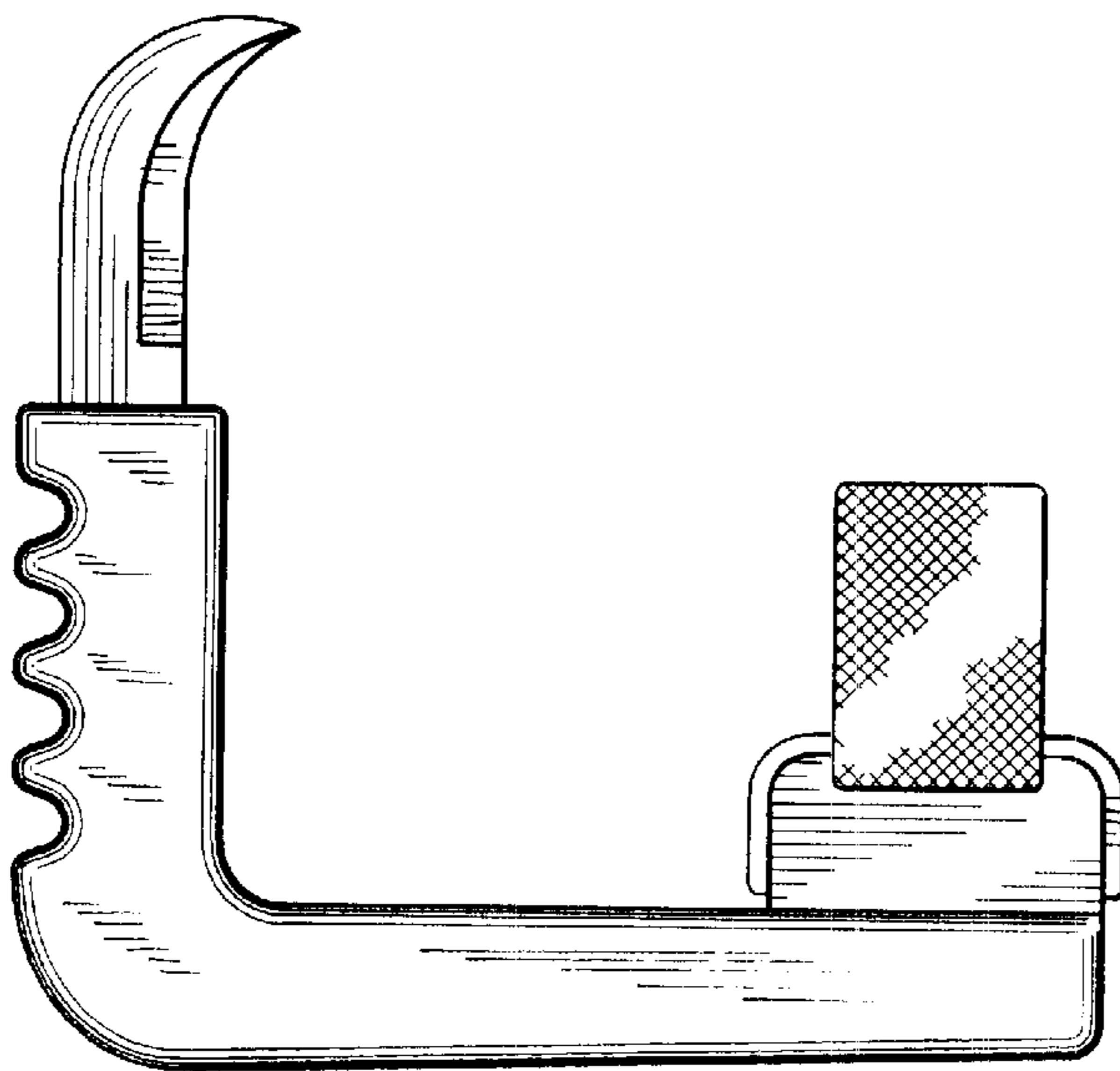


Fig.2

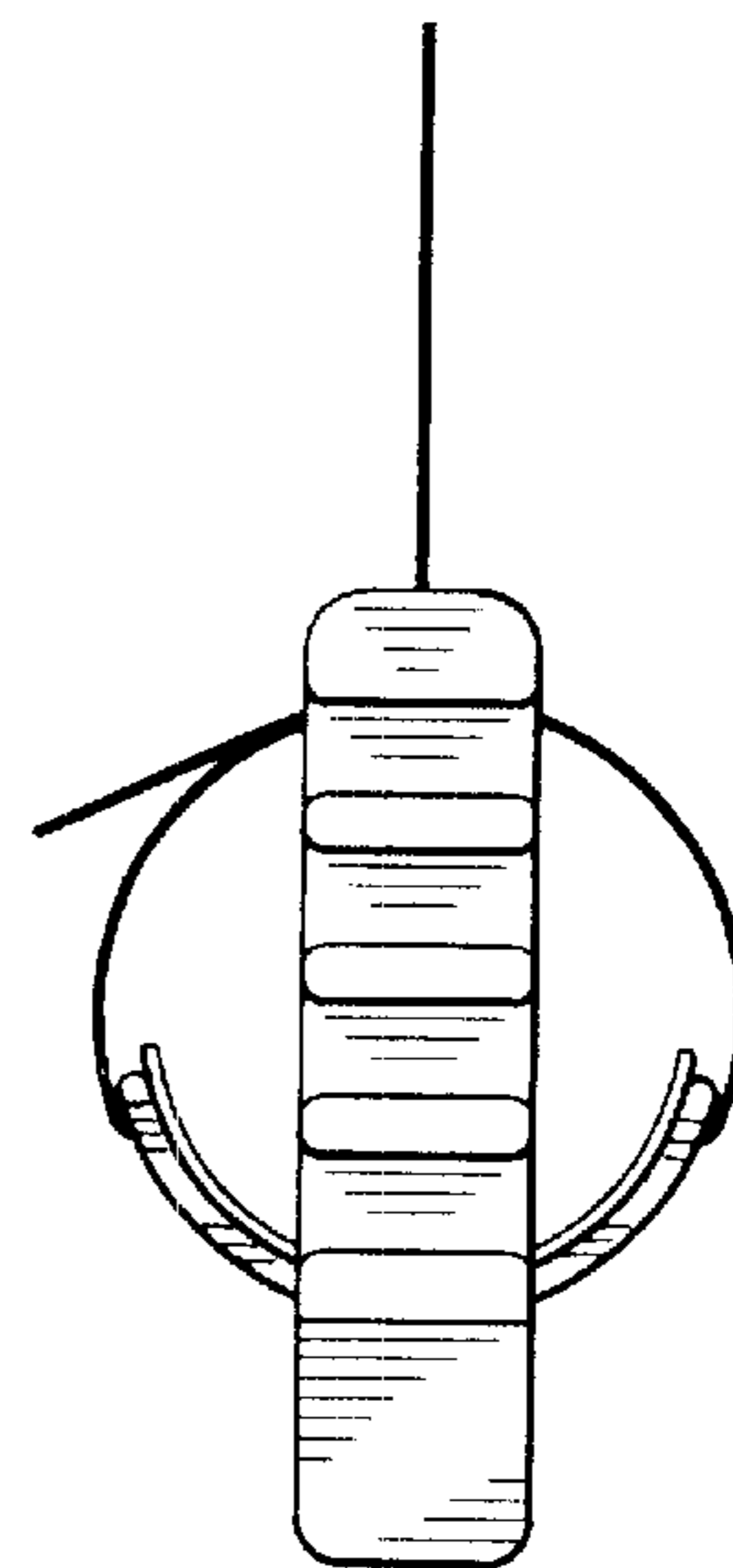


Fig.3

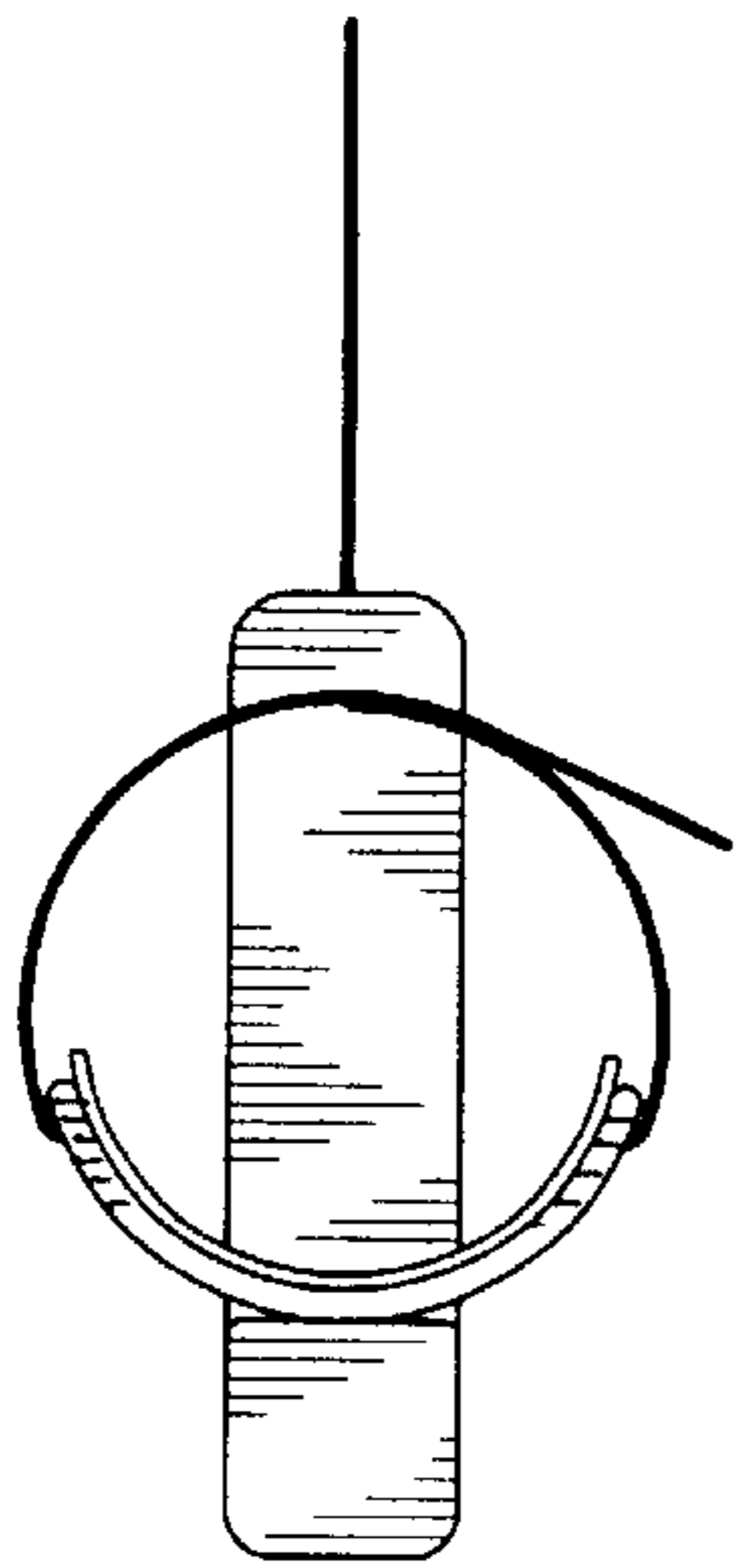


Fig. 4

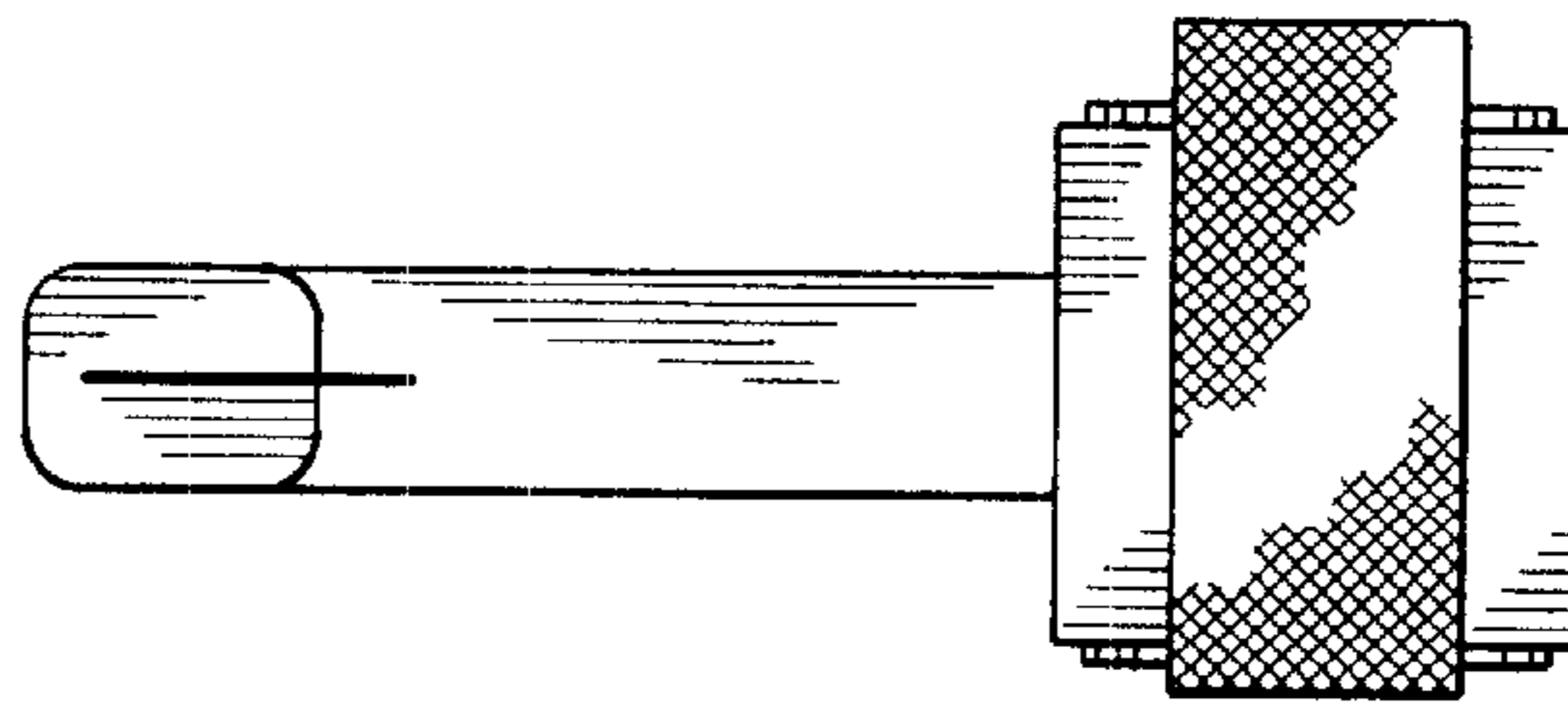


Fig. 5