



US00D481284S

(12) **United States Design Patent**  
**Hoek**

(10) **Patent No.:** **US D481,284 S**

(45) **Date of Patent:** **\*\* Oct. 28, 2003**

(54) **HAND-HELD SANDING DEVICE HAVING COOPERATING REMOVABLE HANDLE AND SLOTS FOR FRICTIONALLY SECURING ENDS OF SHEET OF SANDPAPER**

(76) **Inventor:** **Herman H. Hoek**, 6716 SE. Molt St., Milwaukee, OR (US) 97267

(\*\*) **Term:** **14 Years**

(21) **Appl. No.:** **29/171,518**

(22) **Filed:** **Nov. 25, 2002**

(51) **LOC (7) Cl.** ..... **08-05**

(52) **U.S. Cl.** ..... **D8/90**

(58) **Field of Search** ..... D8/90, 93, 94; 451/502, 523, 524, 525, 512, 513, 514

(56) **References Cited**

**U.S. PATENT DOCUMENTS**

315,033 A	4/1885	Hoffman	
1,927,574 A *	9/1933	Parks	451/515
2,808,687 A	10/1957	Brown	
3,345,785 A	10/1967	Riker	
3,510,991 A *	5/1970	Bowen	451/504
4,242,843 A *	1/1981	Phillips	451/512
4,501,096 A *	2/1985	Lukianoff	451/502
D319,766 S *	9/1991	Erickson	D8/94
5,177,909 A	1/1993	Klocke	
5,522,763 A	6/1996	Regnier	451/502
D377,305 S *	1/1997	Bliss	D8/80
D392,868 S *	3/1998	Ansalvish	D8/90

D417,131 S \* 11/1999 Peters et al. .... D8/90

\* cited by examiner

*Primary Examiner*—Philip S. Hyder

(74) *Attorney, Agent, or Firm*—Donald R. Schoonover

(57) **CLAIM**

I claim the ornamental design for a hand-held sanding device having cooperating removable handle and slots for frictionally securing ends of sandpaper, as shown and described.

**DESCRIPTION**

FIG. 1 is a perspective view of a hand-held sanding device having cooperating removable handle and slots for frictionally securing ends of sheet of sandpaper showing my new design;

FIG. 2 is a front elevational view thereof;

FIG. 3 is a rear elevational view thereof;

FIG. 4 is a right side elevational view thereof, the left side elevational view being a mirror image thereof;

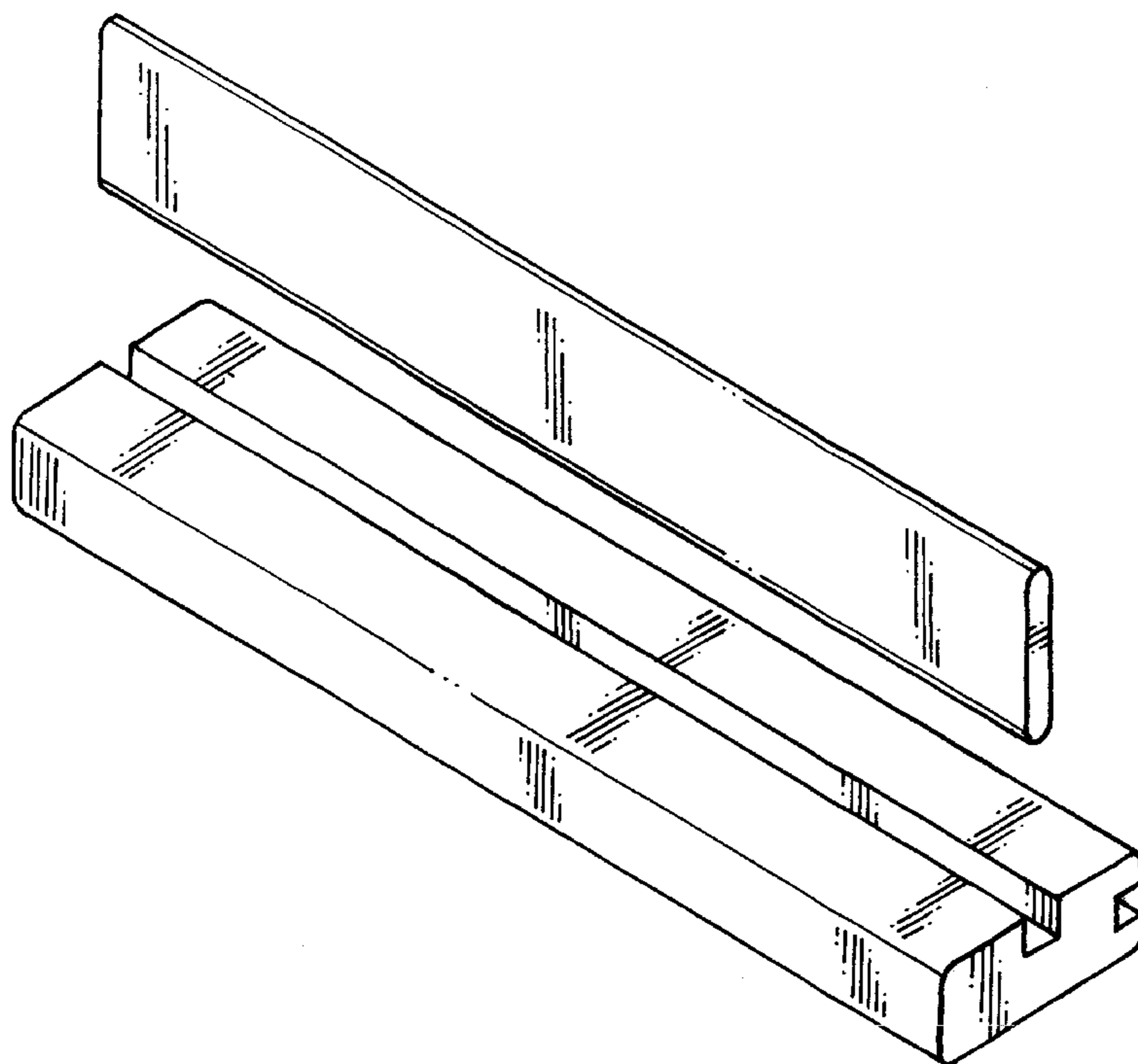
FIG. 5 is a top plan view thereof;

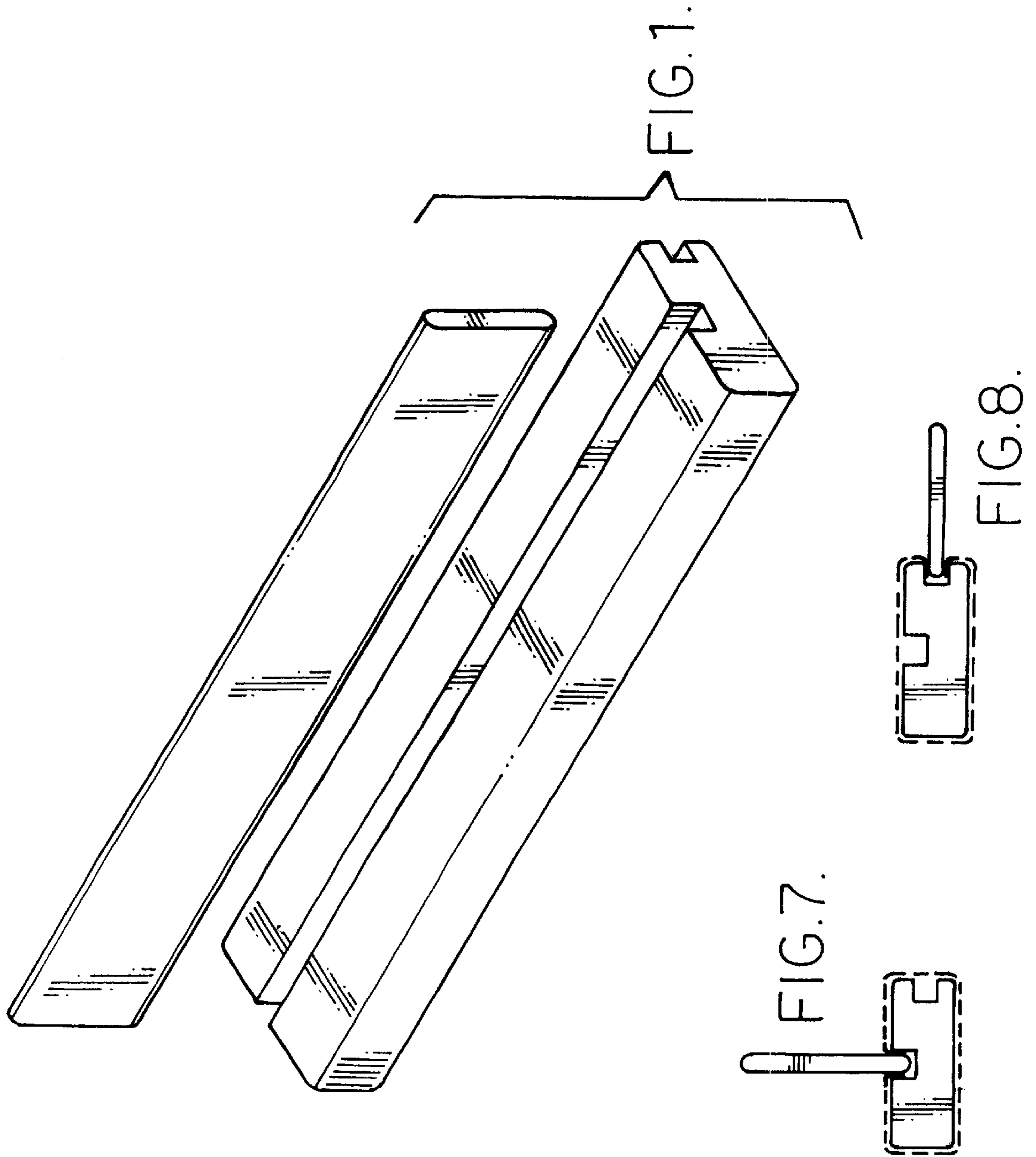
FIG. 6 is a bottom plan view thereof;

FIG. 7 is a side elevational view thereof, wherein the broken line environmental structure is for illustrative purposes only and forms no part of the claim design; and,

FIG. 8 is a side elevational view thereof, wherein the components are assembled in an alternate configuration, and the broken line environmental structure is for illustrative purposes only and forms no part of the claim design.

**1 Claim, 3 Drawing Sheets**





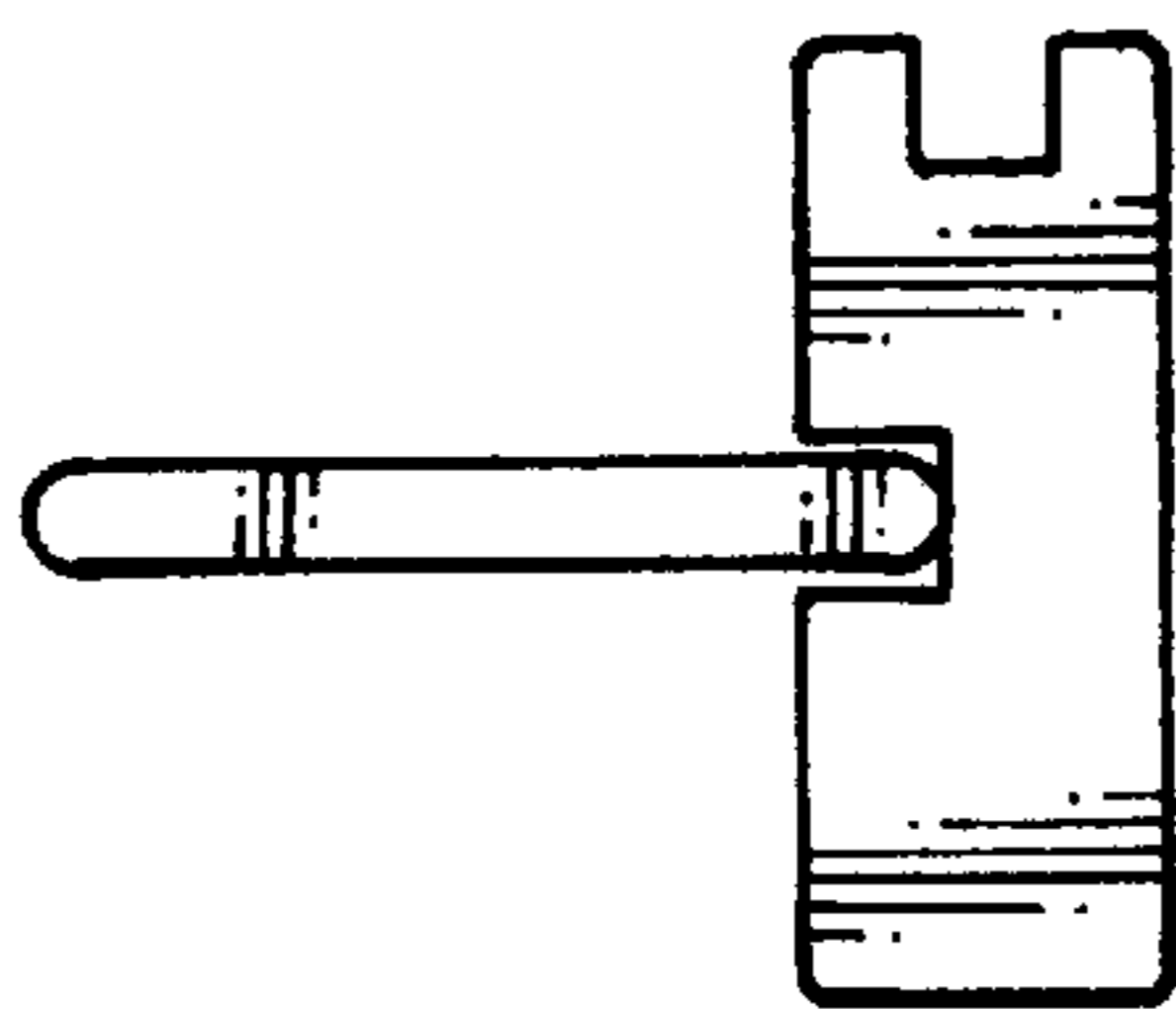


FIG. 4.

FIG. 2.

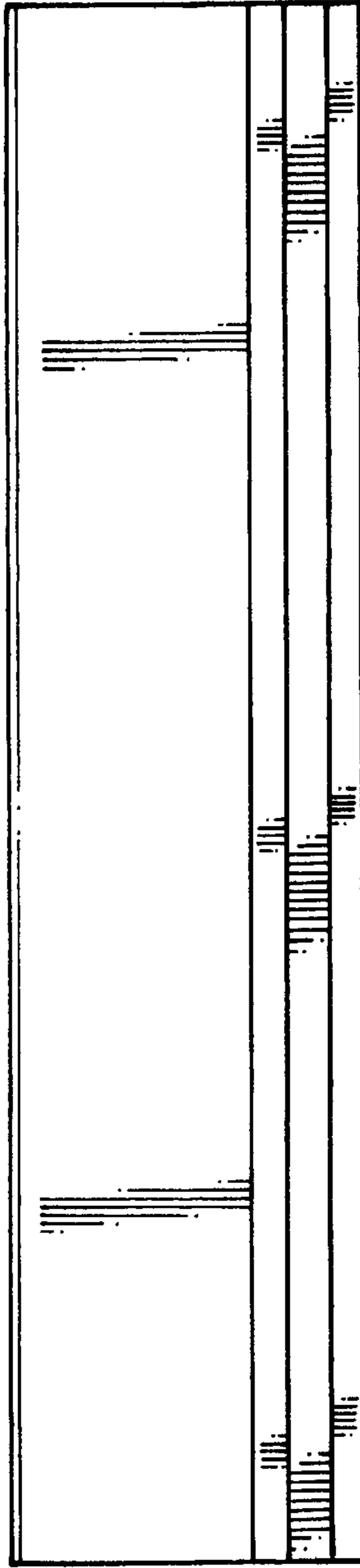
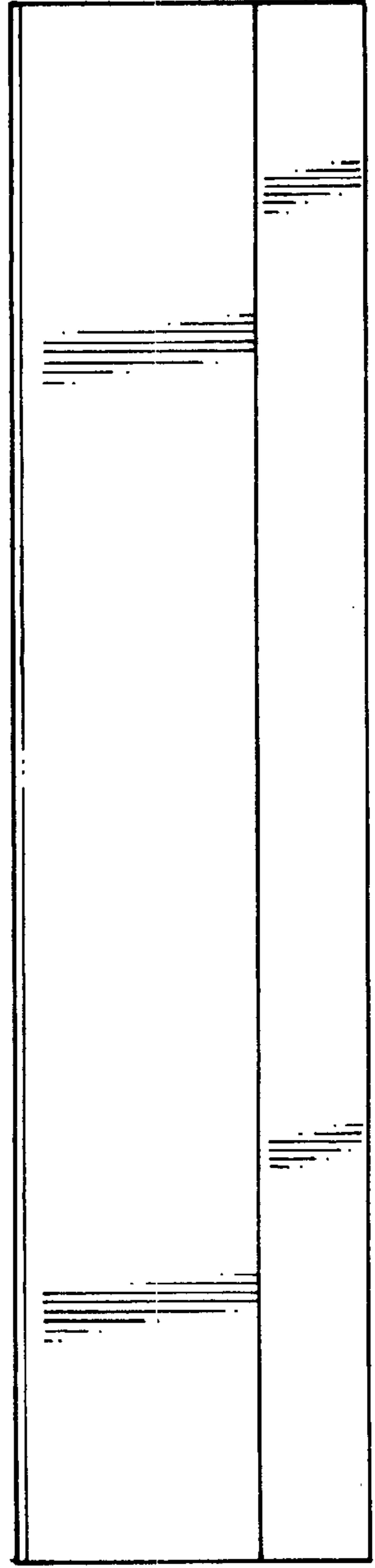


FIG. 3.



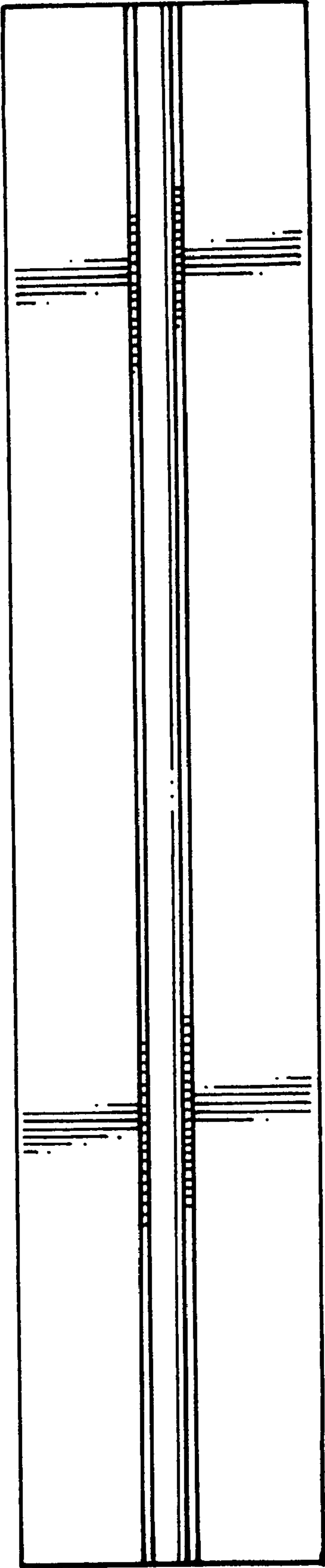


FIG. 5.

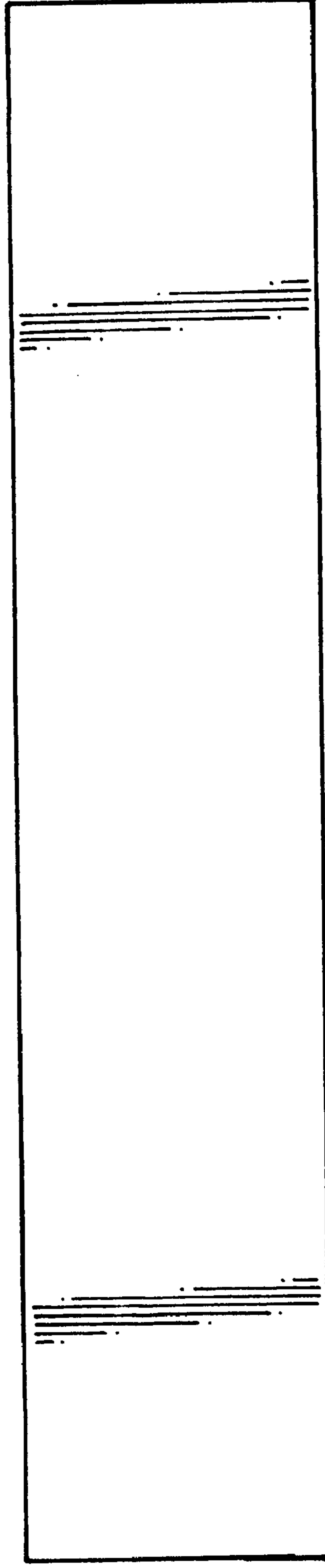


FIG. 6.