



US00D481281S

(12) **United States Design Patent**  
**Anderson**

(10) **Patent No.:** **US D481,281 S**

(45) **Date of Patent:** **\*\* Oct. 28, 2003**

(54) **DECK FASTENER ALIGNMENT DEVICE**

(76) Inventor: **Michael D. Anderson**, 9012 Vance St.,  
#304, Westminster, CO (US) 80021

(\*\*) Term: **14 Years**

(21) Appl. No.: **29/153,925**

(22) Filed: **Jan. 16, 2002**

(51) **LOC (7) Cl.** ..... **08-05**

(52) **U.S. Cl.** ..... **D8/71**

(58) **Field of Search** ..... D8/71, 14.1, 64,  
D8/66, 70, 72, 73, 74, 349, 354, 373; D15/130,  
132, 138, 139, 140, 141; 33/474, 533, 613;  
81/177.1, 177.4, 437, 438, 439, 490; 82/161;  
83/581, 760, 762, 763, 764, 766; 142/48,  
49, 55; 211/60.1, 70.6; 248/80, 153, 175,  
176.1, 201, 304, 309.1, 312, 312.1, 315,  
316.8; 269/41, 42, 283

(56) **References Cited**

**U.S. PATENT DOCUMENTS**

- 3,410,324 A \* 11/1968 Thompson ..... 83/581
- 4,892,021 A \* 1/1990 Sanderson ..... 83/581
- D338,821 S \* 8/1993 Witt ..... D8/71
- D357,405 S \* 4/1995 Philippi ..... D8/373
- D380,953 S \* 7/1997 Norgaard ..... D8/71

- D426,127 S \* 6/2000 Boelling ..... D8/71
- 6,158,321 A \* 12/2000 Fencil ..... 83/581
- D446,101 S \* 8/2001 Cone ..... D8/71

\* cited by examiner

*Primary Examiner*—Doris V. Coles

*Assistant Examiner*—T. Chase Nelson

(74) *Attorney, Agent, or Firm*—Brian D. Smith, P.C.

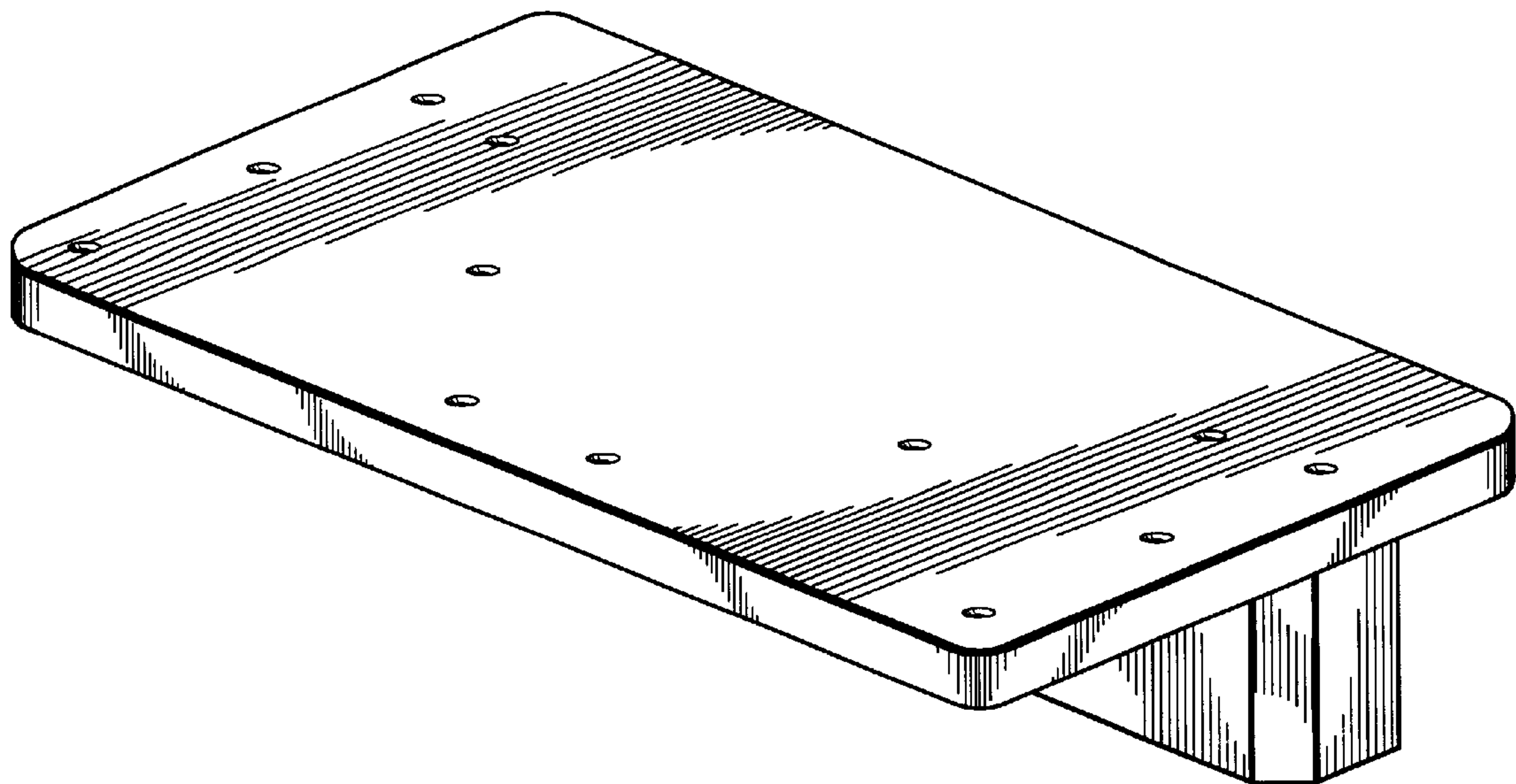
(57) **CLAIM**

The ornamental design for a deck fastener alignment device,  
as shown and described.

**DESCRIPTION**

FIG. 1 is a perspective view of my design for a deck fastener alignment device;  
 FIG. 2 is a bottom plan view of the deck fastener alignment device of FIG. 1;  
 FIG. 3 is a top plan view of the deck fastener alignment device of FIG. 1;  
 FIG. 4 is a front elevation view of the deck fastener alignment device of FIG. 1;  
 FIG. 5 is a rear elevation view of the deck fastener alignment device of FIG. 1; and,  
 FIG. 6 is a left side elevation view of the deck fastener alignment device of FIG. 1.

**1 Claim, 2 Drawing Sheets**



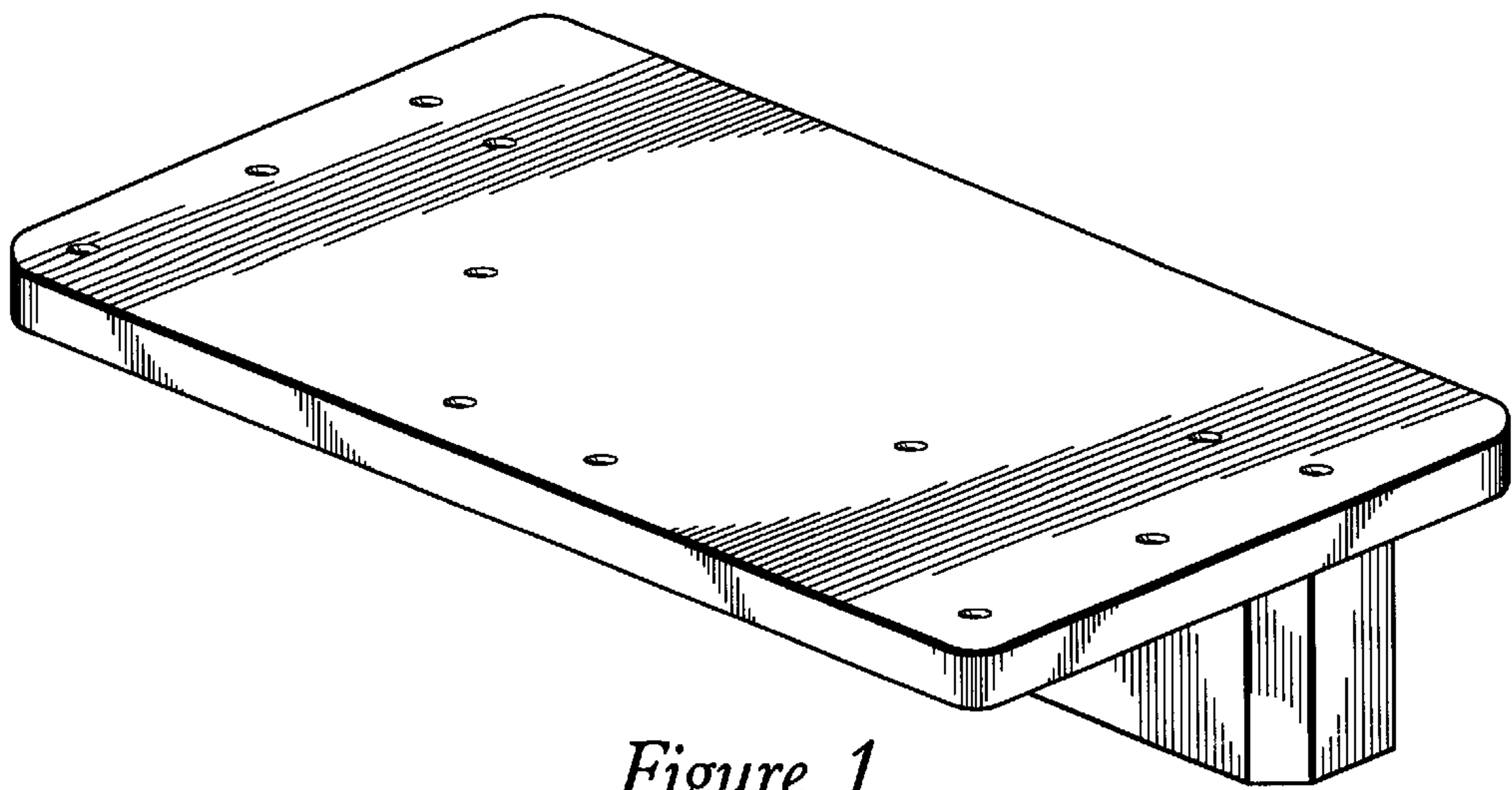


Figure 1

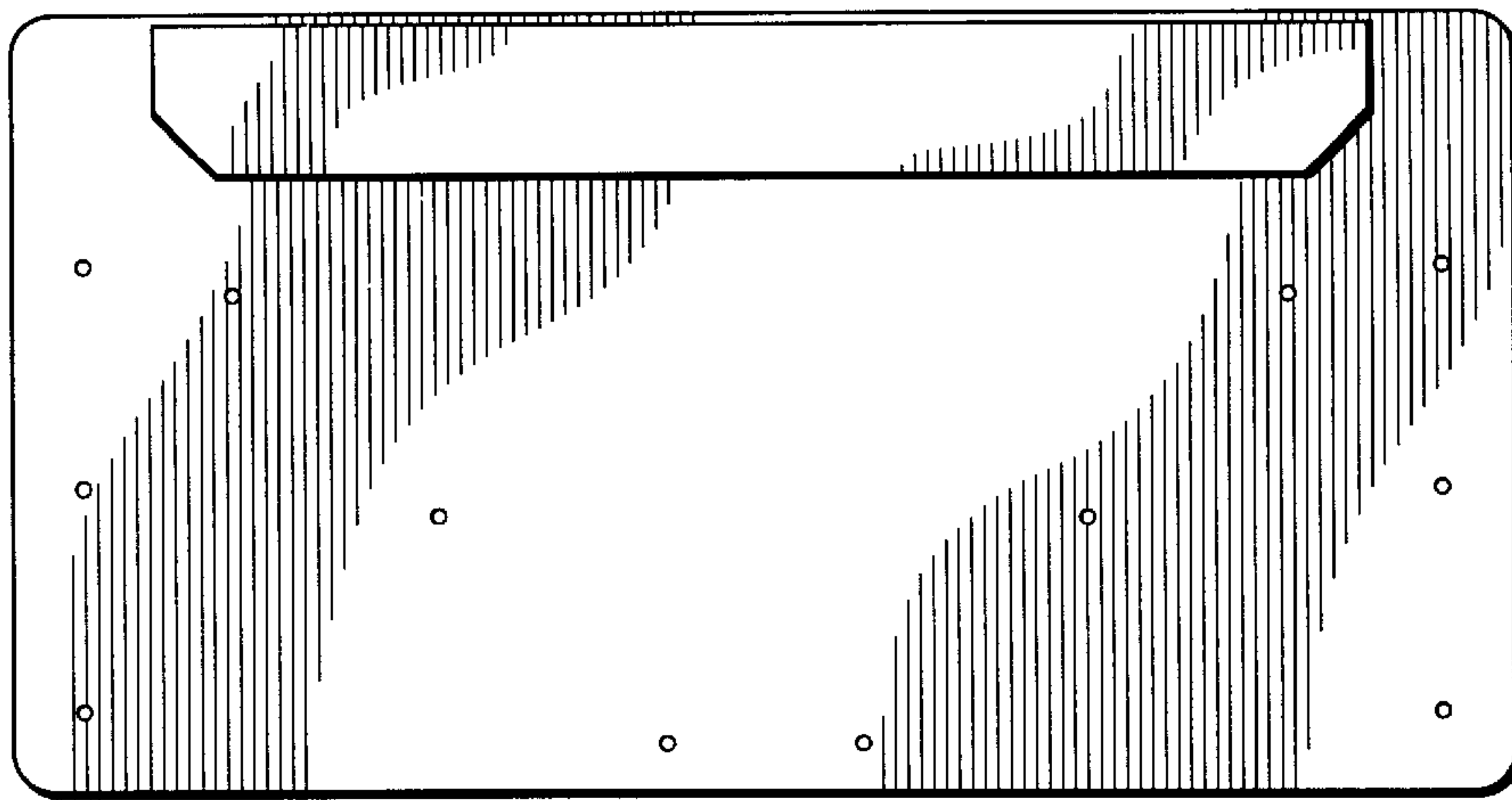


Figure 2

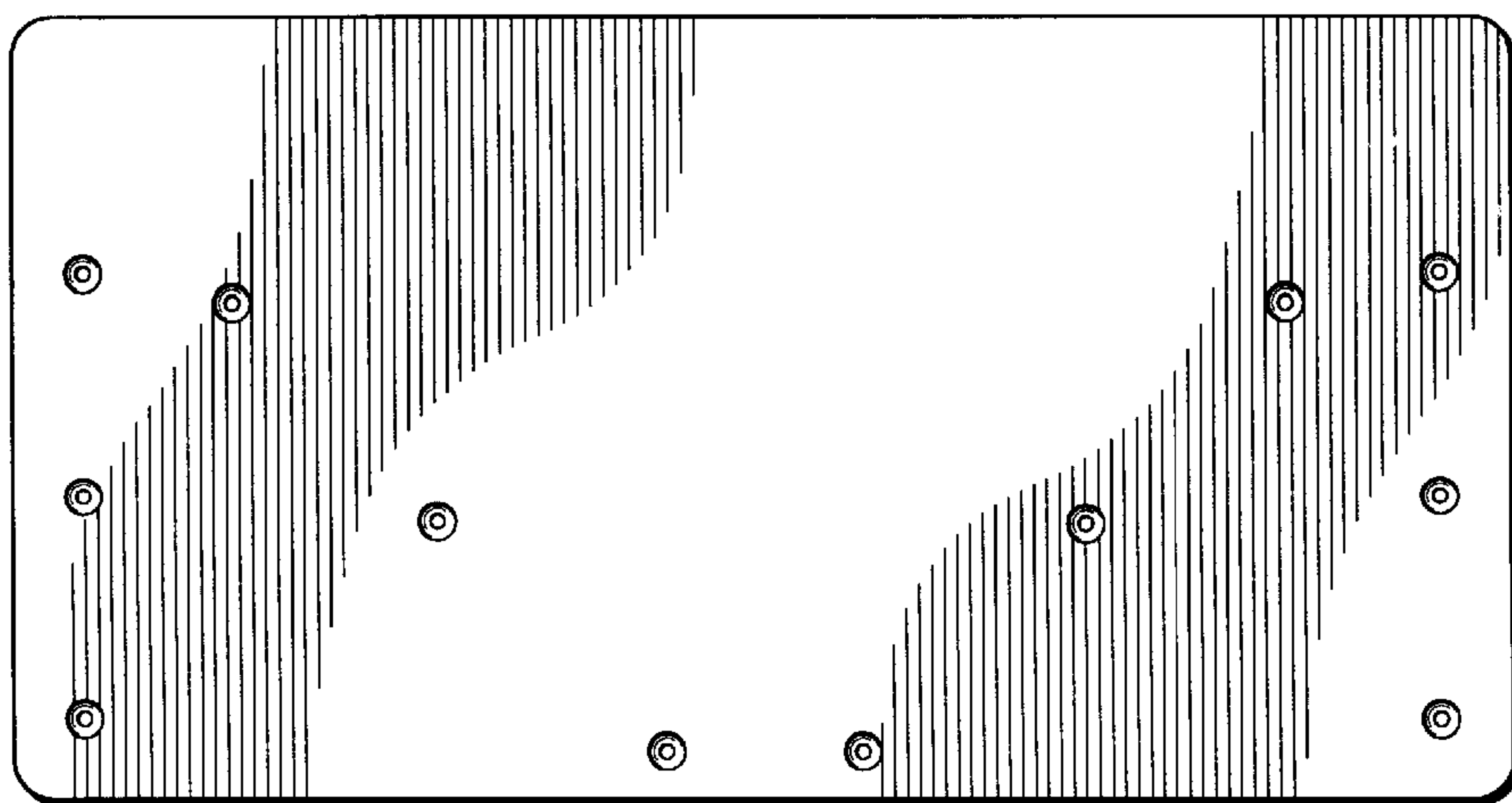
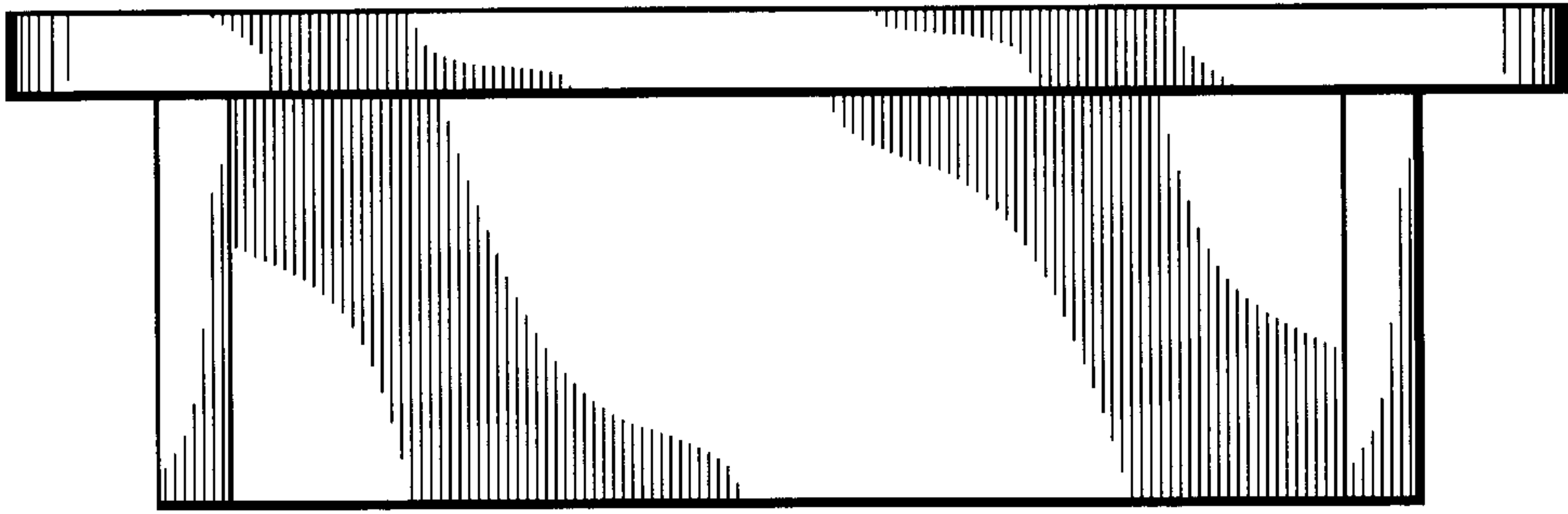
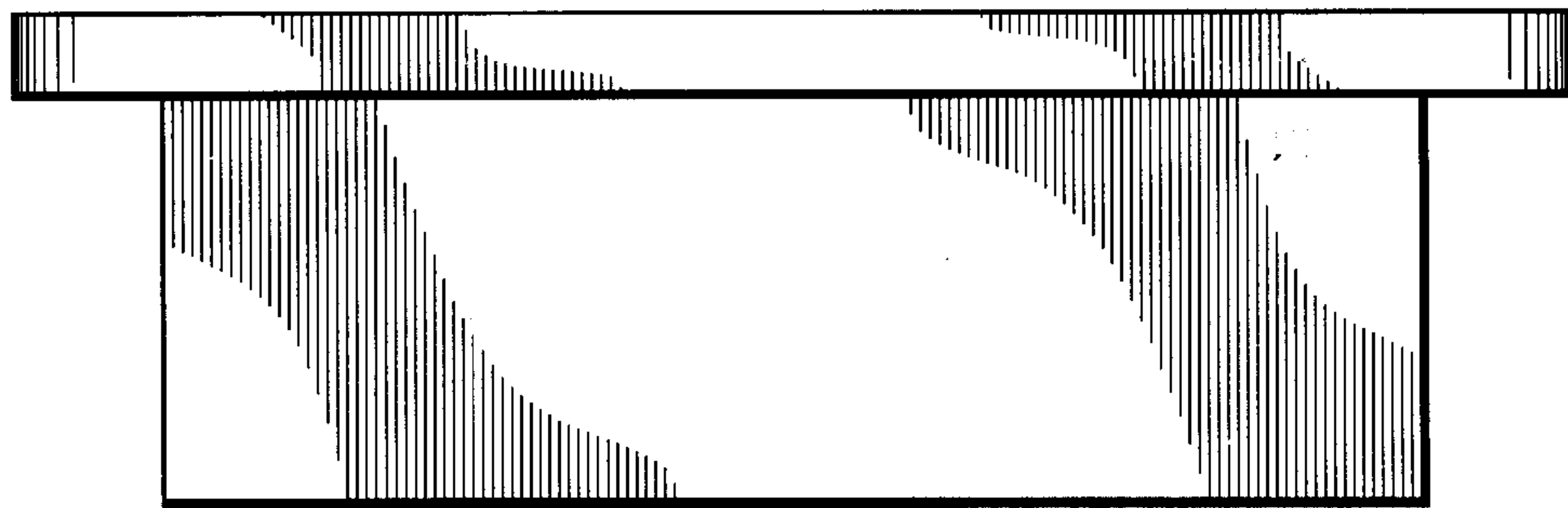


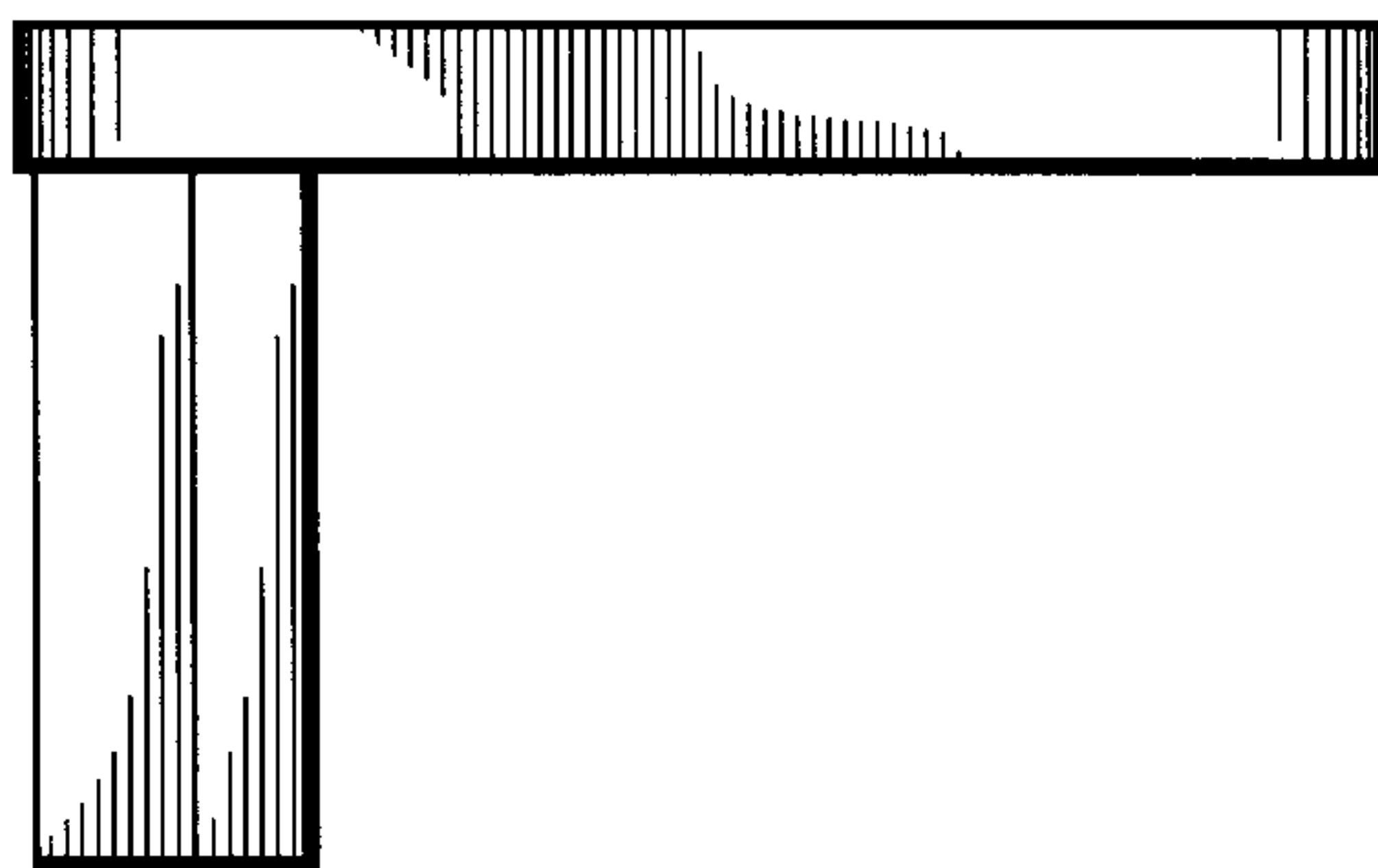
Figure 3



*Figure 4*



*Figure 5*



*Figure 6*