



US00D481280S

(12) **United States Design Patent**
Guiette, III et al.

(10) **Patent No.:** **US D481,280 S**

(45) **Date of Patent:** **** Oct. 28, 2003**

(54) **PISTOL GRIP CABLE CUTTER**

(76) Inventors: **William E. Guiette, III**, P.O. Box 160,
Pine Valley, CA (US) 91962; **Charles**
W. Arnold, P.O. Box 838, Descanso,
CA (US) 91916

(**) Term: **14 Years**

(21) Appl. No.: **29/179,862**

(22) Filed: **Apr. 15, 2003**

(51) **LOC (7) Cl.** **08-03**

(52) **U.S. Cl.** **D8/68**

(58) **Field of Search** D8/14.1, 61, 62,
D8/63, 64, 65, 66, 67, 68, 69, 70, 98; 81/57.11,
429, 464, 465, 466, 469, 489; 173/13, 169,
178, 213, 217; 227/8, 114, 120, 130, 136,
142; 310/50; 408/20, 124, 125, 234, 241 R;
451/358; D22/100, 104; D21/573-575;
42/18

(56) **References Cited**

U.S. PATENT DOCUMENTS

2,140,214 A	12/1938	Temple
2,716,813 A	9/1955	Smyres
2,766,525 A	10/1956	Hoffman
3,003,235 A	10/1961	Temple et al.
3,353,445 A	11/1967	Temple et al.
3,474,533 A	10/1969	Peck
3,643,329 A	2/1972	Lieberman
3,763,738 A	10/1973	Temple
4,026,028 A	5/1977	Green

D262,260 S	* 12/1981	Meyer et al.	D8/68
4,349,141 A	9/1982	Ollivier et al.	
4,587,733 A	5/1986	Staempfli	
D289,968 S	* 5/1987	Somers	D8/68
D330,497 S	* 10/1992	Hsin	D8/68
D348,276 S	* 6/1994	Hastings	D22/104
D359,788 S	* 6/1995	Ruger et al.	D22/104
D375,992 S	* 11/1996	Haber et al.	D22/104
D386,661 S	* 11/1997	Hirabayashi et al.	D8/68
5,722,170 A	3/1998	Smith	
D404,627 S	1/1999	Hirabayashi	
6,349,474 B1	2/2002	Jordan	

* cited by examiner

Primary Examiner—Doris V. Coles
Assistant Examiner—T. Chase Nelson
(74) *Attorney, Agent, or Firm*—Calif Tervo

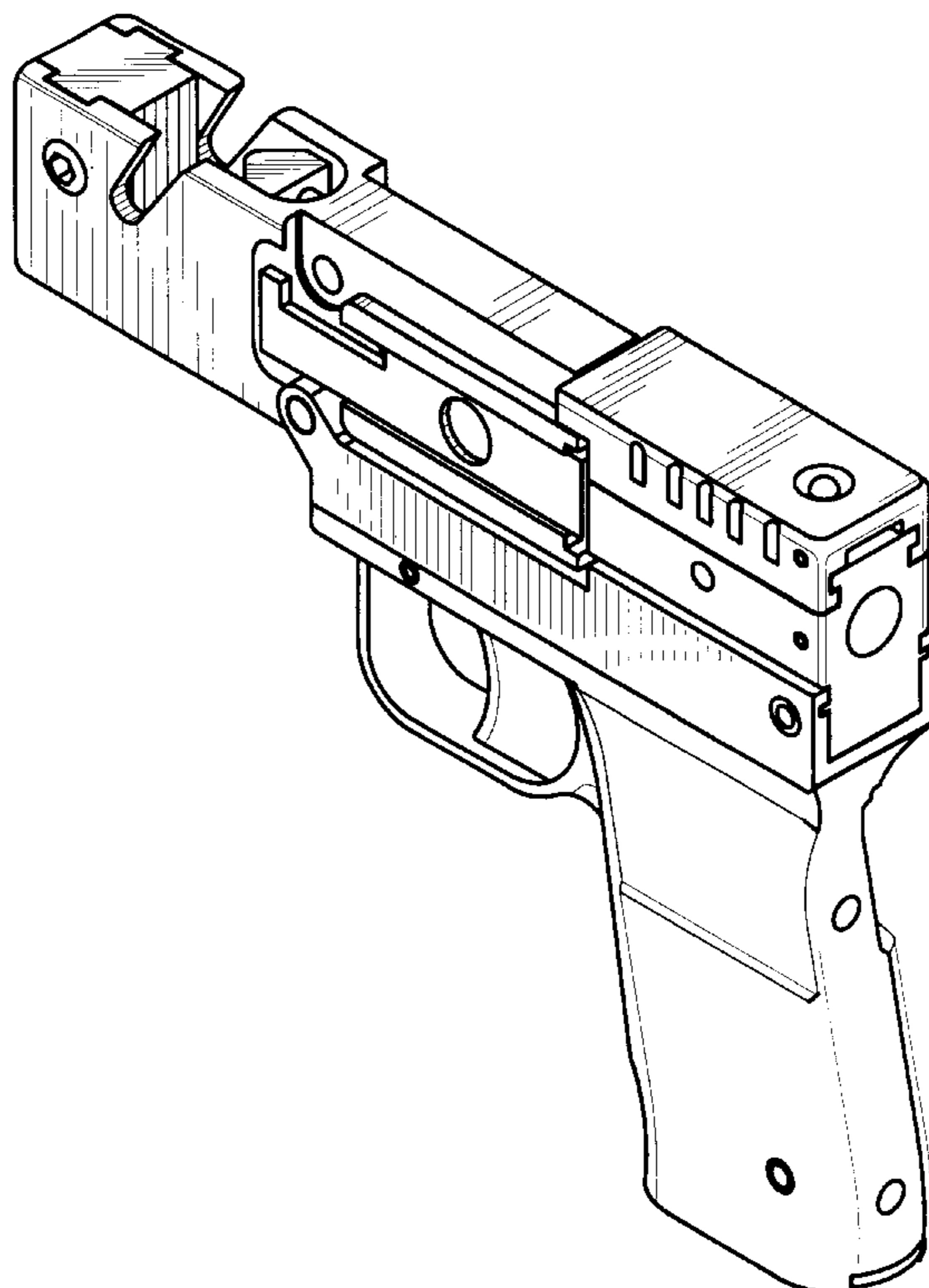
(57) **CLAIM**

The ornamental design for a pistol grip cable cutter, as shown and described.

DESCRIPTION

FIG. 1 is a top, rear, left side perspective view of a pistol grip cable cutter showing our new design;
FIG. 2 is a front elevation view thereof;
FIG. 3 is a right side elevation view thereof; the left side being a mirror image;
FIG. 4 is a top plan view thereof;
FIG. 5 is a bottom plan view thereof; and,
FIG. 6 is a rear elevation view thereof.

1 Claim, 2 Drawing Sheets



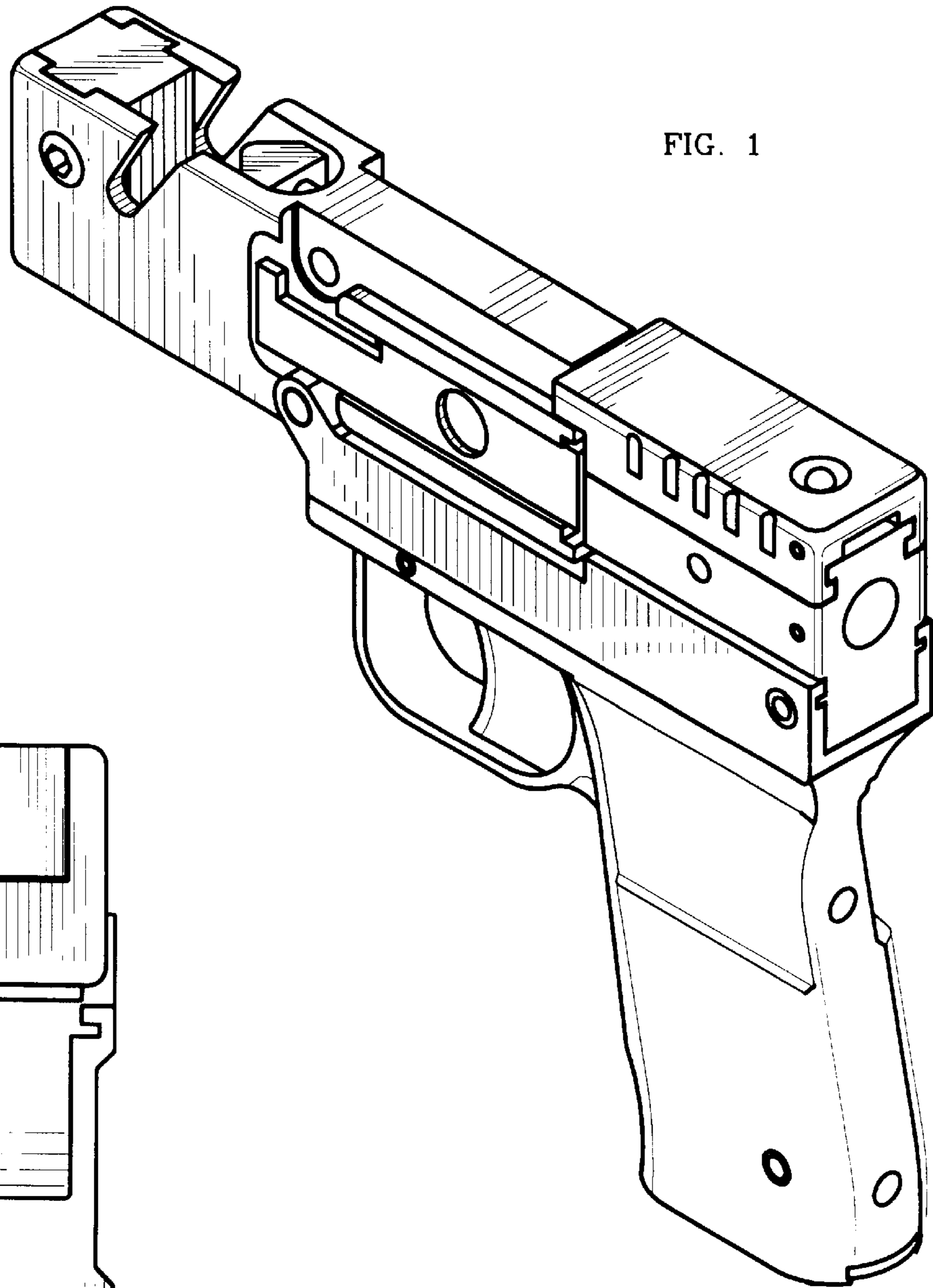


FIG. 1

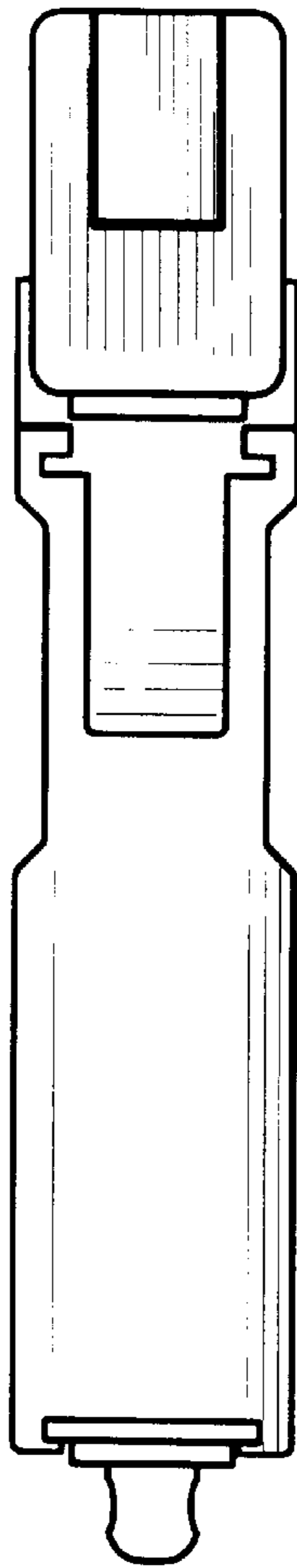


FIG. 2

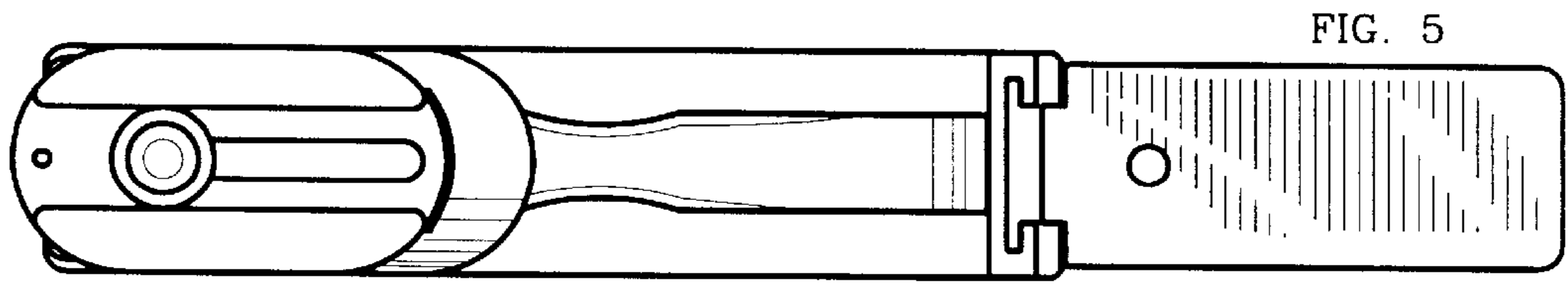


FIG. 5

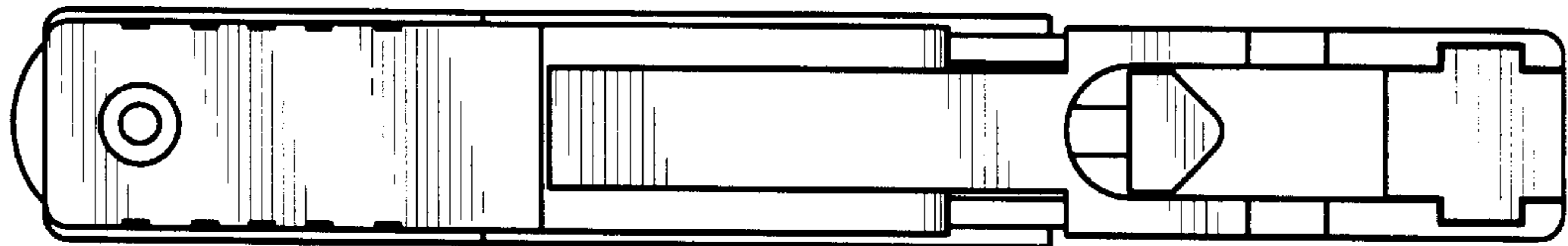


FIG. 4

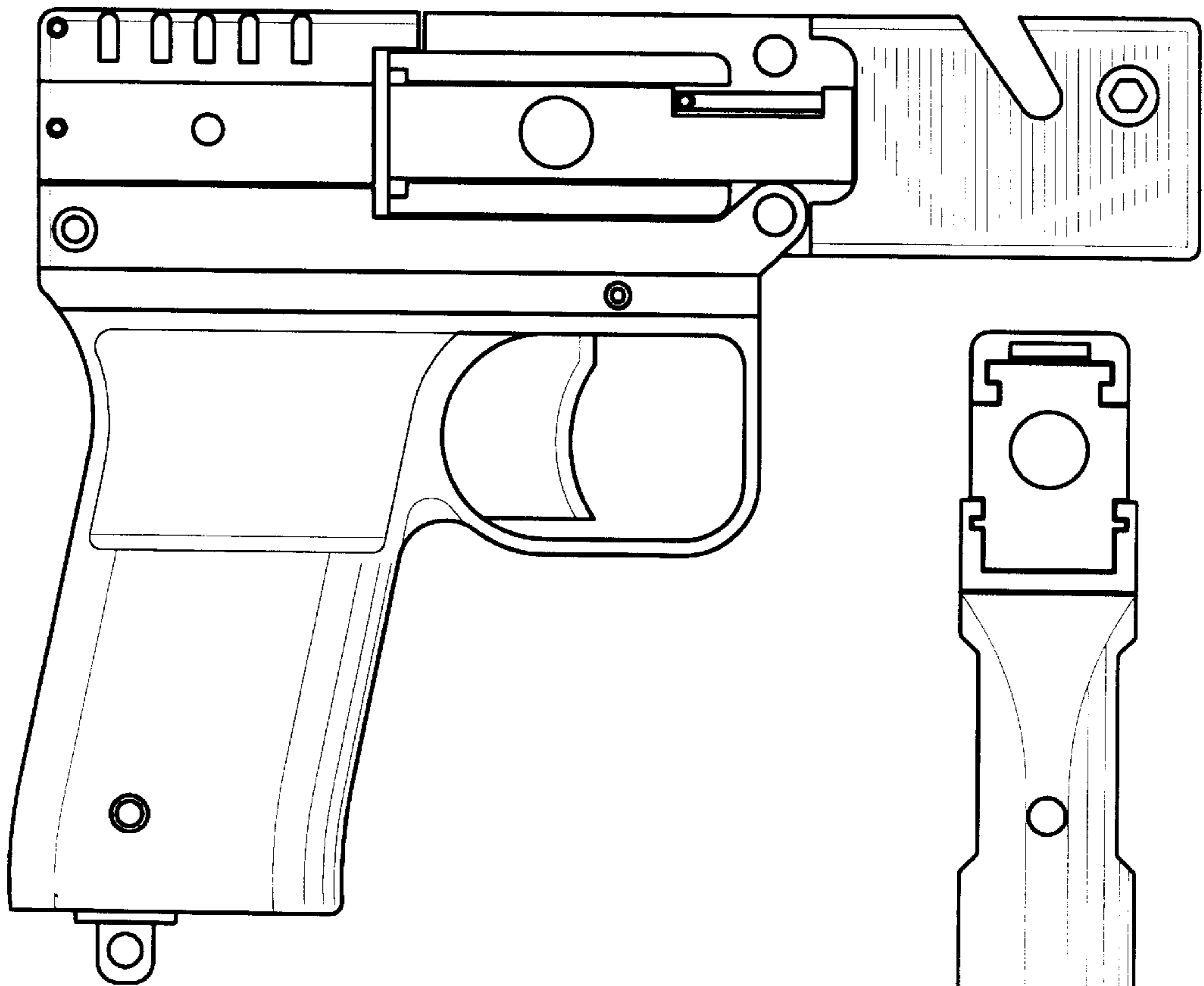


FIG. 3

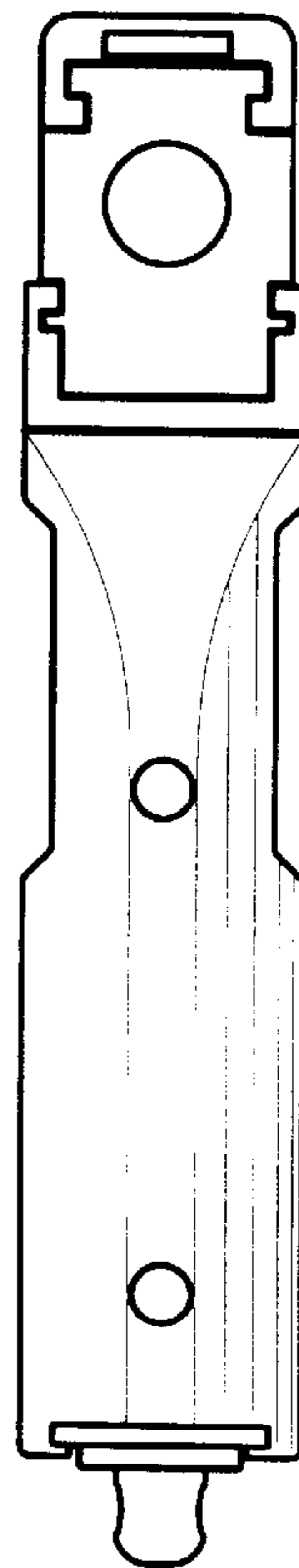


FIG. 6