



US00D481279S

(12) **United States Design Patent**
Buck

(10) **Patent No.:** **US D481,279 S**

(45) **Date of Patent:** **** Oct. 28, 2003**

(54) **FASTENER TOOL**

(75) **Inventor:** **John E. Buck**, Cockeysville, MD (US)

(73) **Assignee:** **Black & Decker Inc.**, Newark, DE (US)

(**) **Term:** **14 Years**

(21) **Appl. No.:** **29/176,434**

(22) **Filed:** **Feb. 21, 2003**

(51) **LOC (7) Cl.** **08-05**

(52) **U.S. Cl.** **D8/68; D8/69**

(58) **Field of Search** D8/61, 62, 63,
D8/64, 65, 66, 67, 68, 69, 70; 81/57.11,
429, 464, 465, 466, 469, 489; 173/13, 169,
178, 213, 217; 227/8, 114, 120, 130, 136,
142; 310/50; 408/20, 124, 125, 234, 241 R;
451/358

D338,606 S	*	8/1993	Oda	D8/69
D338,818 S	*	8/1993	Katsuba	D8/62
D377,590 S	*	1/1997	Lai	D8/68
D416,182 S	*	11/1999	Kaiser et al.	D8/69
D416,775 S	*	11/1999	Hwang et al.	D8/69
6,006,704 A	*	12/1999	Phillips et al.	227/10 X
D435,770 S	*	1/2001	Arai	D8/68
D440,136 S	*	4/2001	Buck	D8/68
D447,031 S	*	8/2001	Oh	D8/63
D447,034 S	*	8/2001	Buck	D8/68
D461,694 S	*	8/2002	Buck	D8/68
6,431,429 B1	*	8/2002	Canlas et al.	227/8

* cited by examiner

Primary Examiner—Doris V. Coles

Assistant Examiner—T. Chase Nelson

(74) *Attorney, Agent, or Firm*—Adan Ayala

(57) **CLAIM**

The ornamental design for a fastener tool, as shown and described.

(56) **References Cited**

U.S. PATENT DOCUMENTS

3,253,760 A	*	5/1966	Doyle et al.	227/120
D214,208 S	*	5/1969	Schwarz	D8/61
D219,259 S	*	11/1970	Perkins	D8/61
3,776,445 A	*	12/1973	Pomeroy	227/130
D260,354 S	*	8/1981	Proops et al.	D8/61
D282,345 S	*	1/1986	Fehrs	D8/49
4,858,811 A	*	8/1989	Brosius et al.	227/10
D314,320 S	*	2/1991	Brosius et al.	D8/67
D322,204 S	*	12/1991	Lee	D8/61
D332,561 S	*	1/1993	Fushiya et al.	D8/69

DESCRIPTION

FIG. 1 is a perspective view from the left side of a fastener tool showing my new design.

FIG. 2 is a left side elevational view thereof.

FIG. 3 is a right side elevational view thereof.

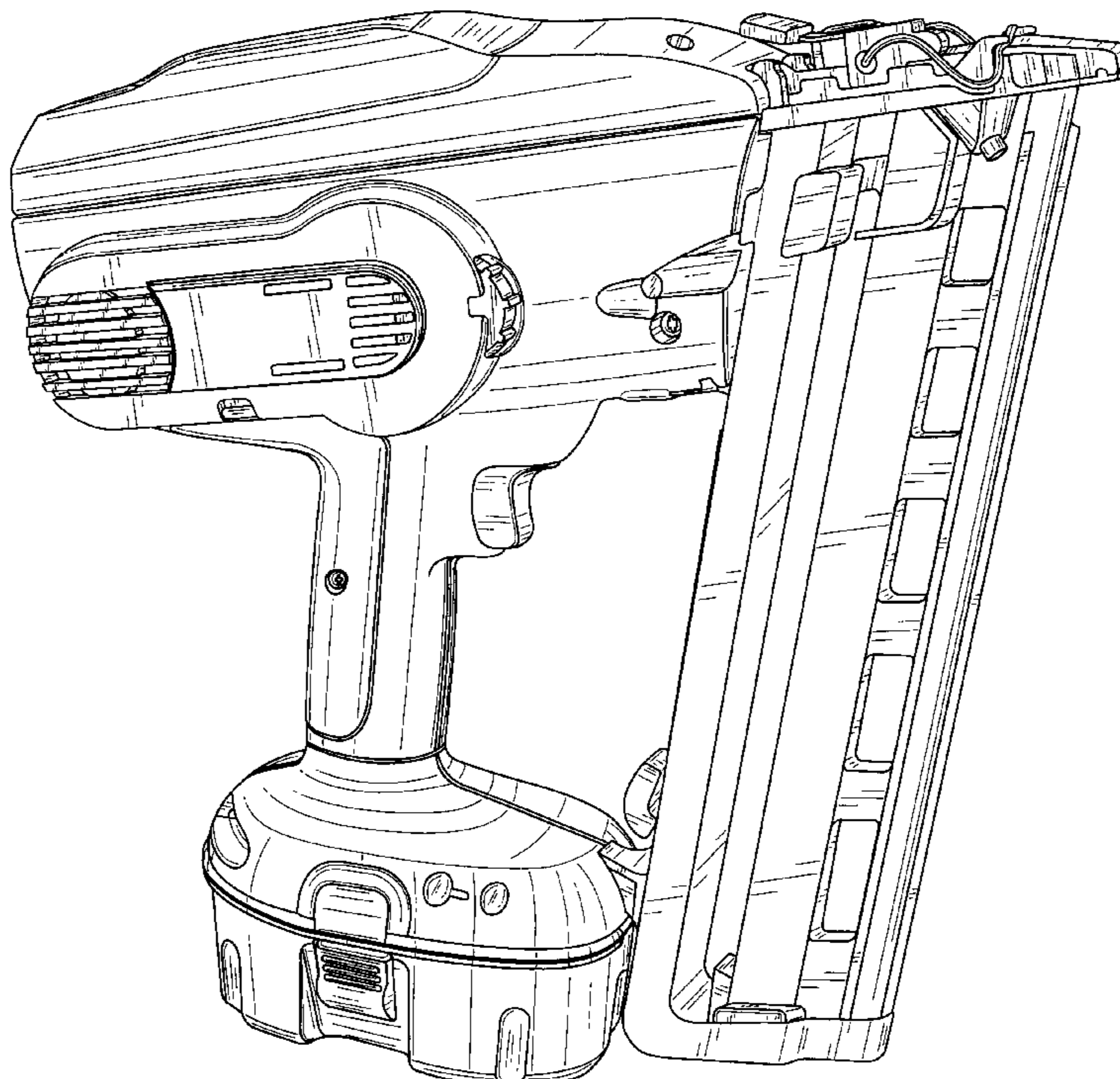
FIG. 4 is a bottom plan view thereof.

FIG. 5 is a top plan view front thereof.

FIG. 6 is a front elevational view thereof; and,

FIG. 7 is a rear elevational view thereof.

1 Claim, 5 Drawing Sheets



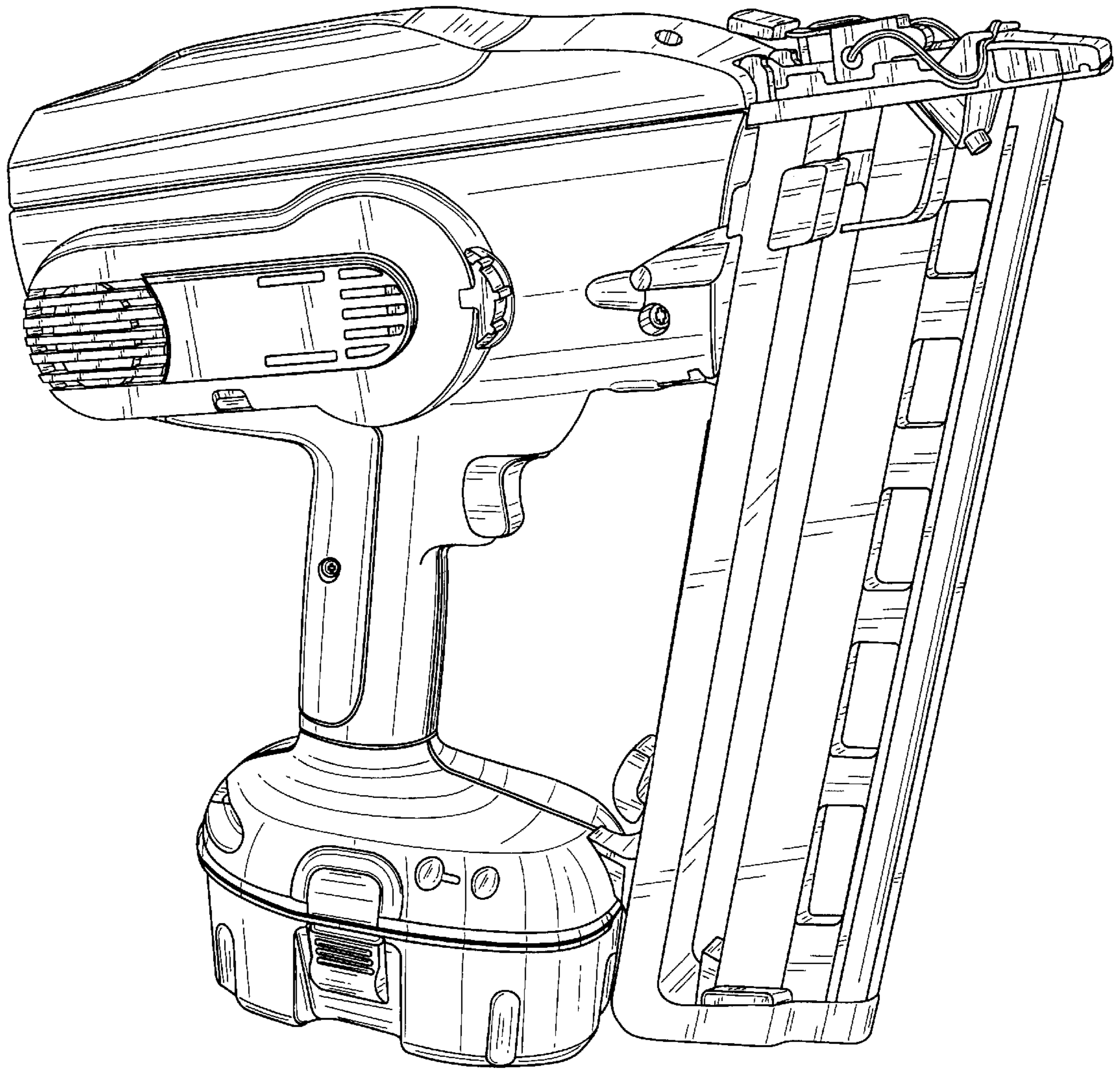


FIG. 1

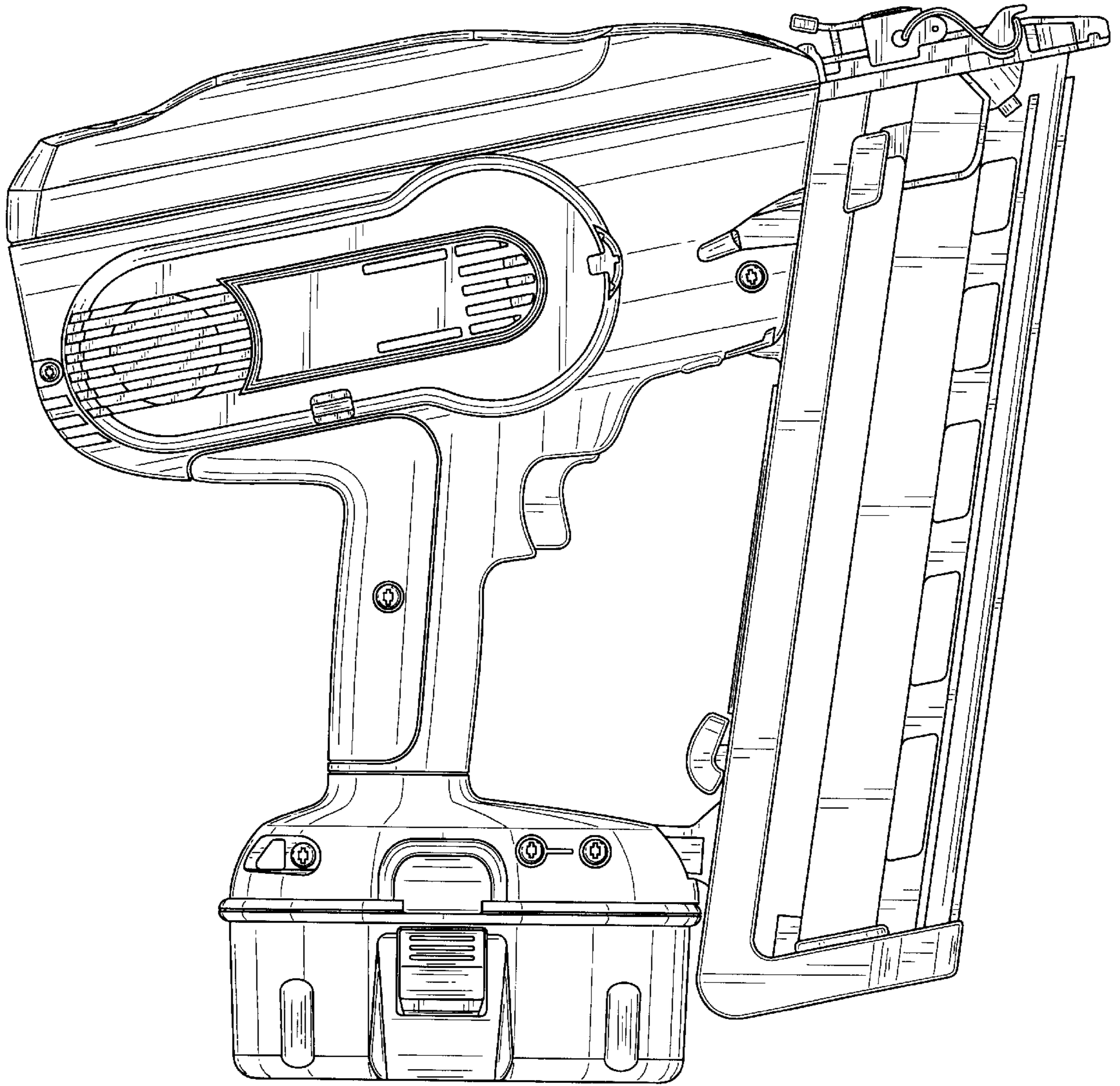


FIG. 2

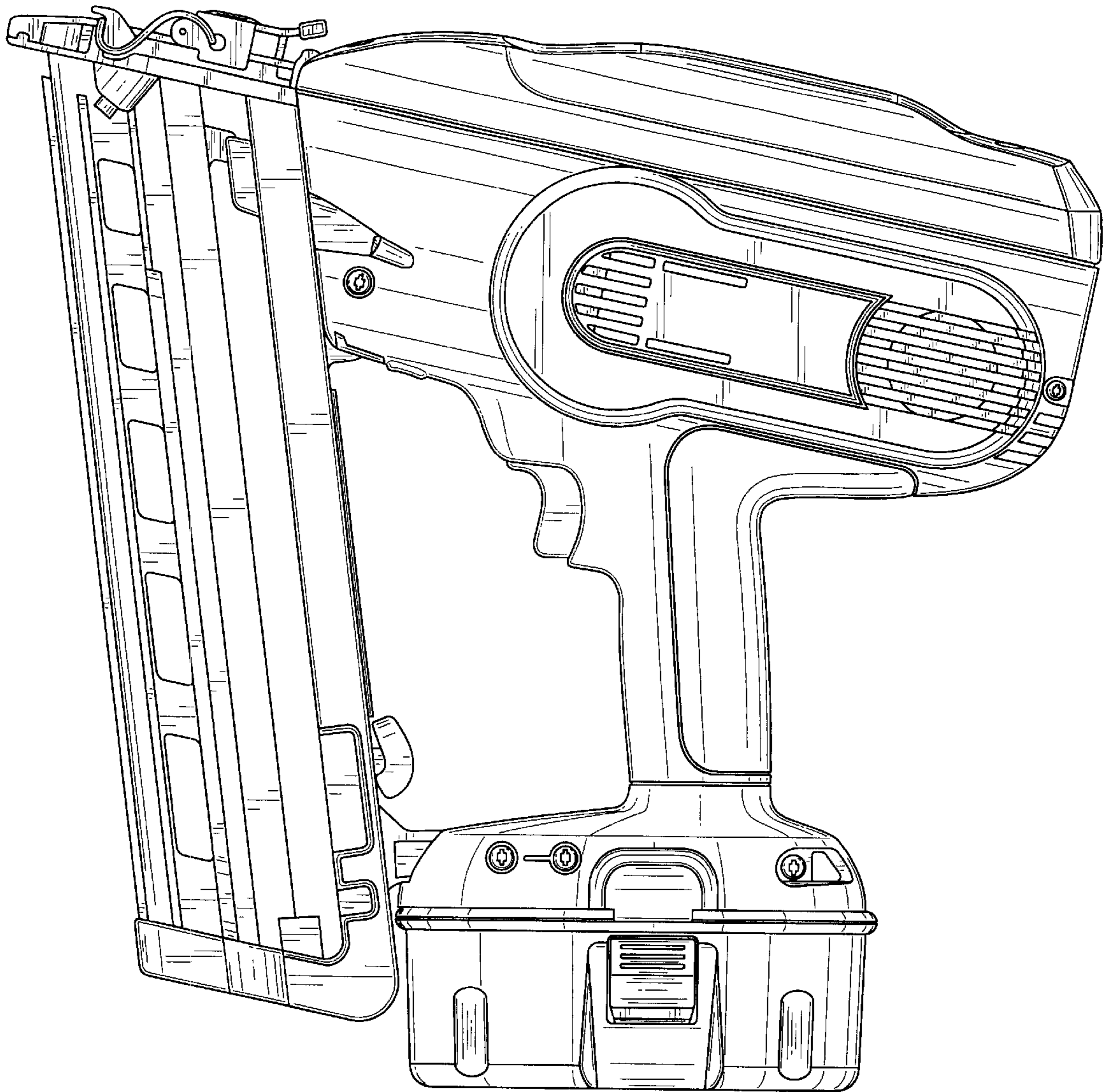


FIG. 3

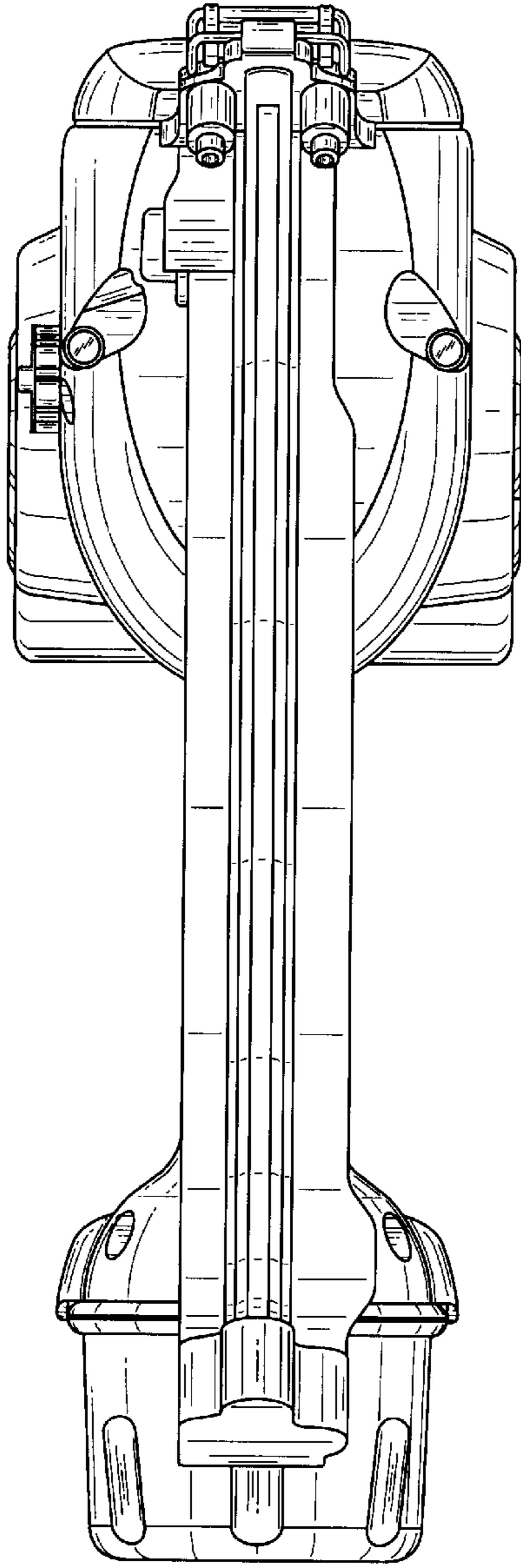


FIG. 4

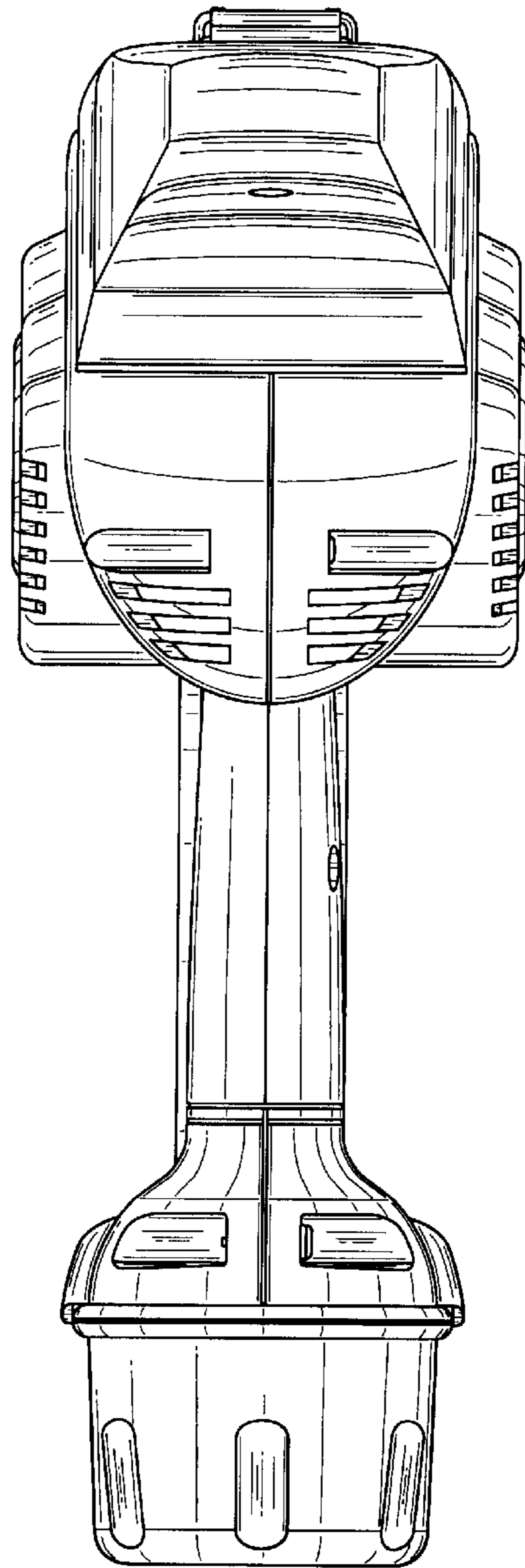


FIG. 5

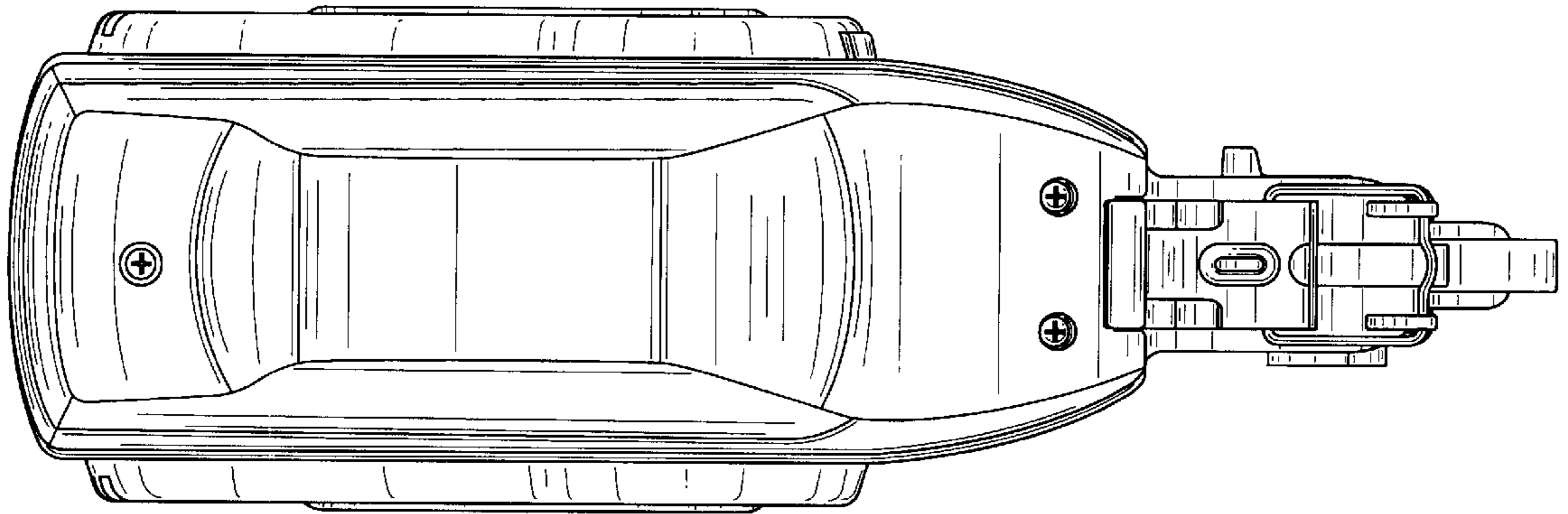


FIG. 6

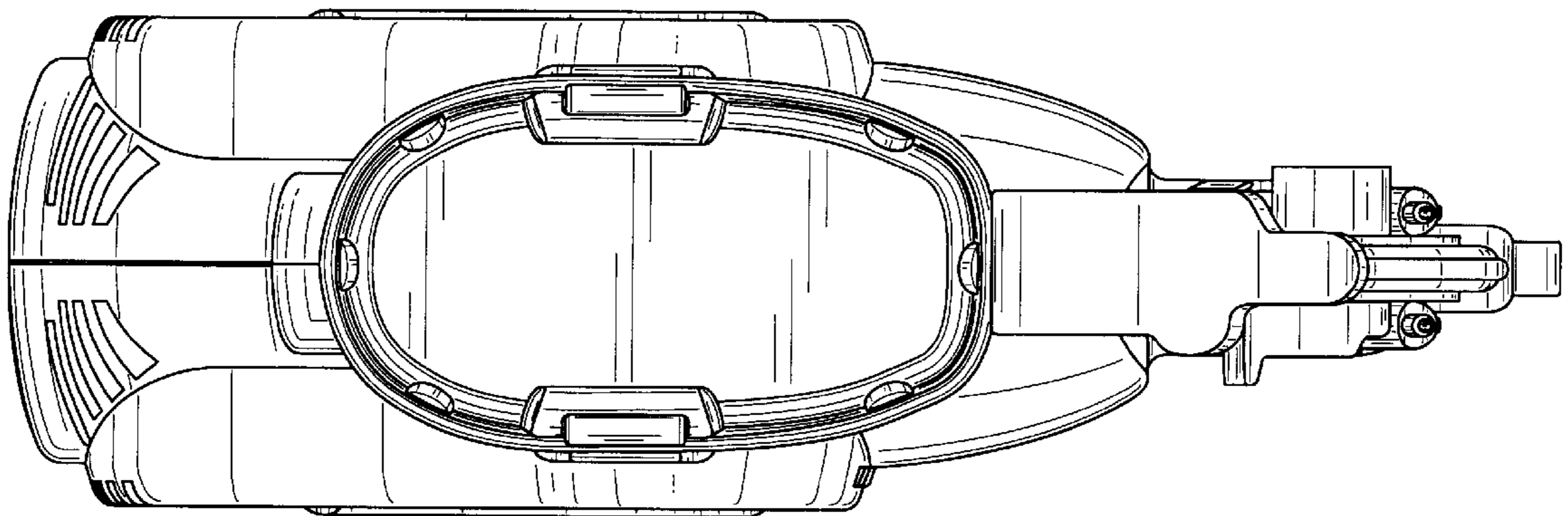


FIG. 7