



US00D481277S

(12) **United States Design Patent**
Waldron

(10) **Patent No.:** **US D481,277 S**

(45) **Date of Patent:** **** Oct. 28, 2003**

- (54) **HEAT GUN**
- (75) Inventor: **Michael Waldron**, Chester-Le-Street (GB)
- (73) Assignee: **Black & Decker Inc.**, Newark, DE (US)
- (**) Term: **14 Years**
- (21) Appl. No.: **29/159,374**
- (22) Filed: **Apr. 19, 2002**
- (30) **Foreign Application Priority Data**
Nov. 15, 2001 (GB) 2106271
- (51) **LOC (7) Cl.** **08-05**
- (52) **U.S. Cl.** **D8/29.1**
- (58) **Field of Search** D8/29.1, 30; 219/227; 431/158, 255, 353, 354; D28/13; 392/385

(56) **References Cited**

U.S. PATENT DOCUMENTS

- D288,472 S 2/1987 Miller et al. D23/332
- D288,841 S 3/1987 Steinel et al. D23/332
- 4,683,370 A 7/1987 Peterson et al. 219/370
- D296,070 S * 6/1988 Cunningham D8/29.1

- D297,397 S * 8/1988 Pagani D8/29.1
- D334,876 S 4/1993 Swetish D8/29.1
- D388,297 S * 12/1997 Buttenbender D8/29.1
- D388,298 S 12/1997 Jerdee et al. D8/29.1
- D457,044 S * 5/2002 Cheng D8/29.1
- D457,407 S * 5/2002 Pretzell D8/29.1

* cited by examiner

Primary Examiner—Philip S. Hyder
(74) *Attorney, Agent, or Firm*—Bruce S. Shapiro; Michael P. Leary; Charles E. Yocum

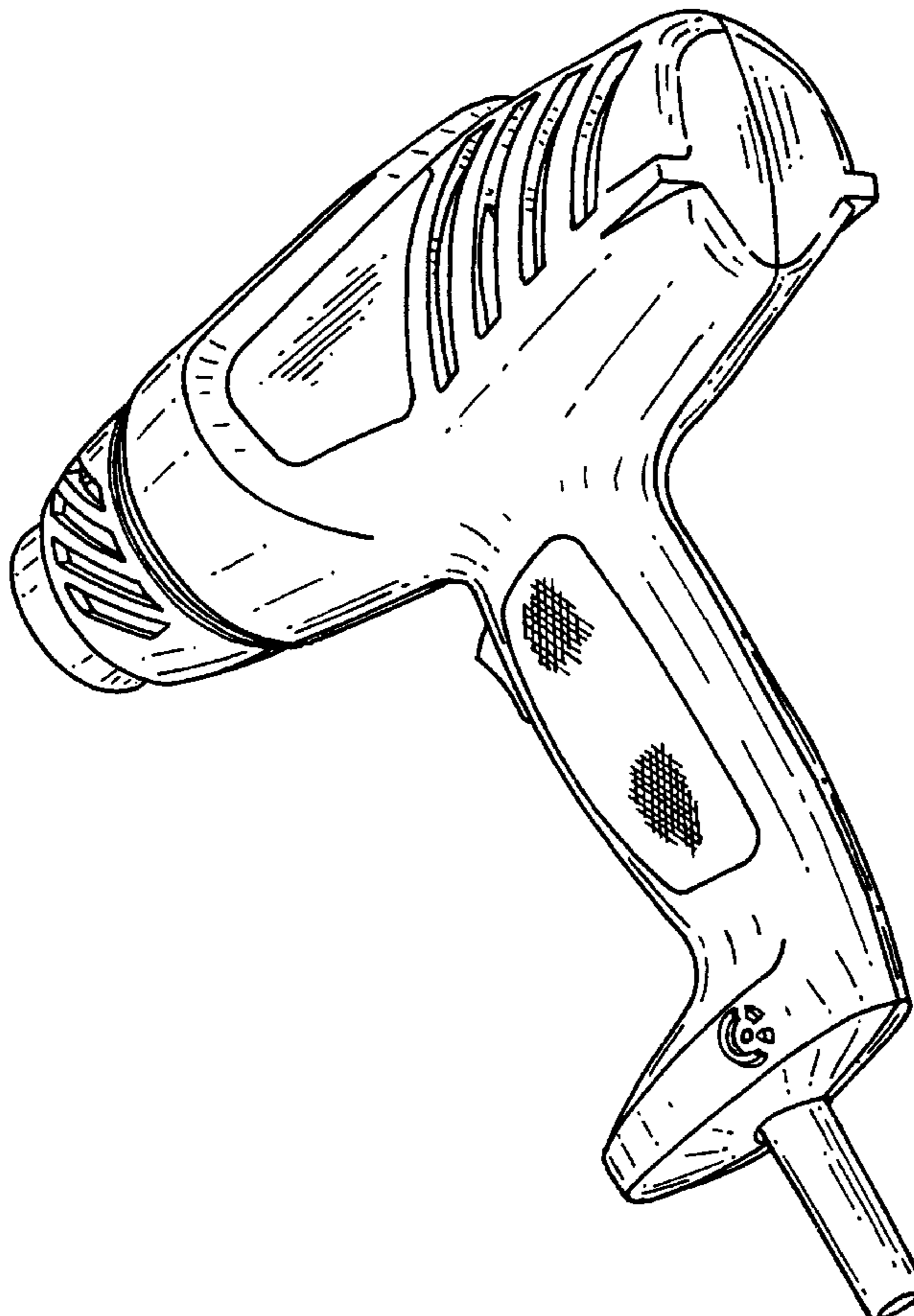
(57) **CLAIM**

The ornamental design for a heat gun, as shown and described.

DESCRIPTION

FIG. 1 is a front perspective view of a heat gun showing my new design.
 FIG. 2 is a left side elevational view thereof.
 FIG. 3 is a right side elevational view thereof.
 FIG. 4 is a top plan view thereof.
 FIG. 5 is a bottom plan view thereof.
 FIG. 6 is a front elevational view thereof; and,
 FIG. 7 is a rear perspective view thereof.

1 Claim, 5 Drawing Sheets



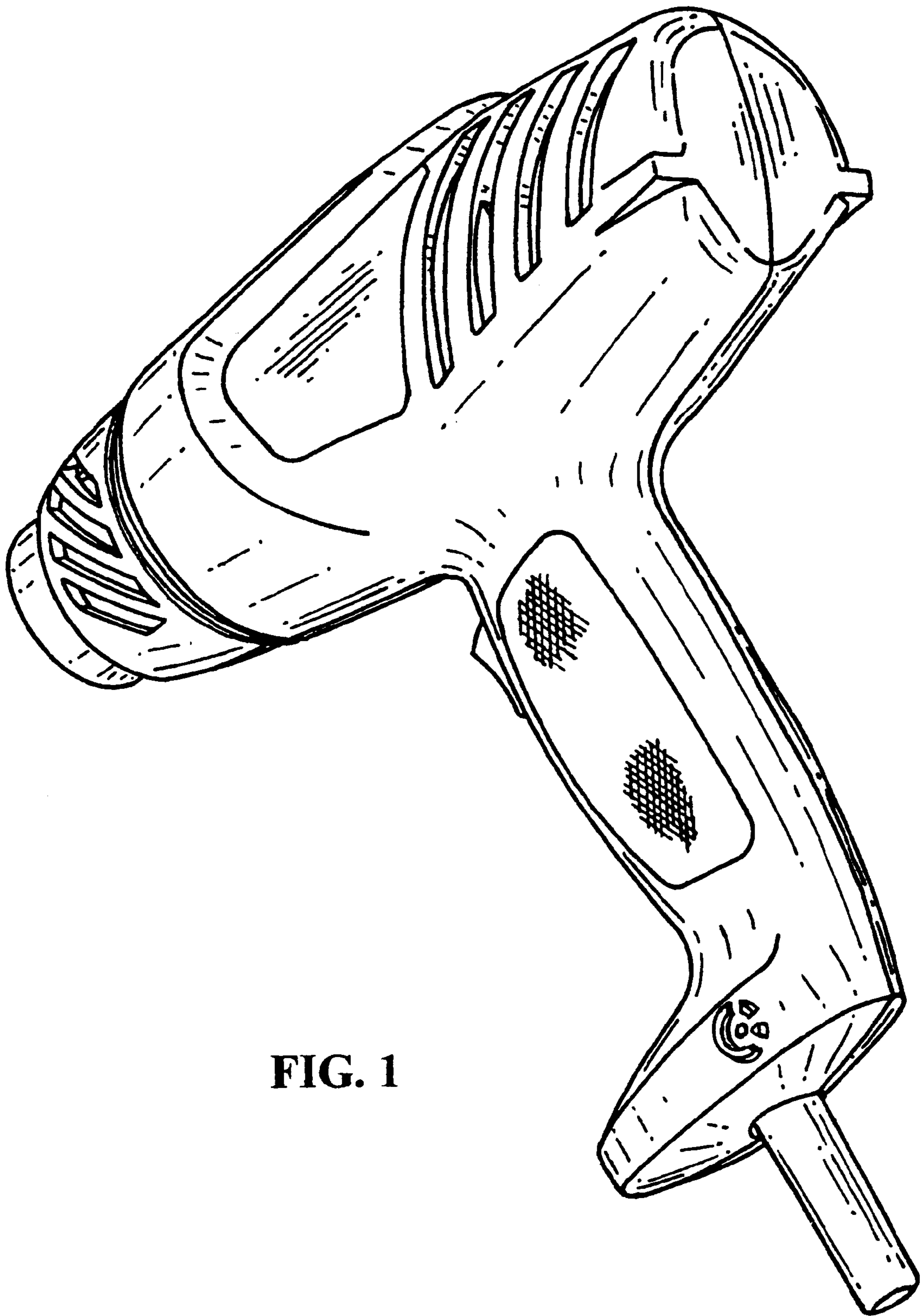


FIG. 1

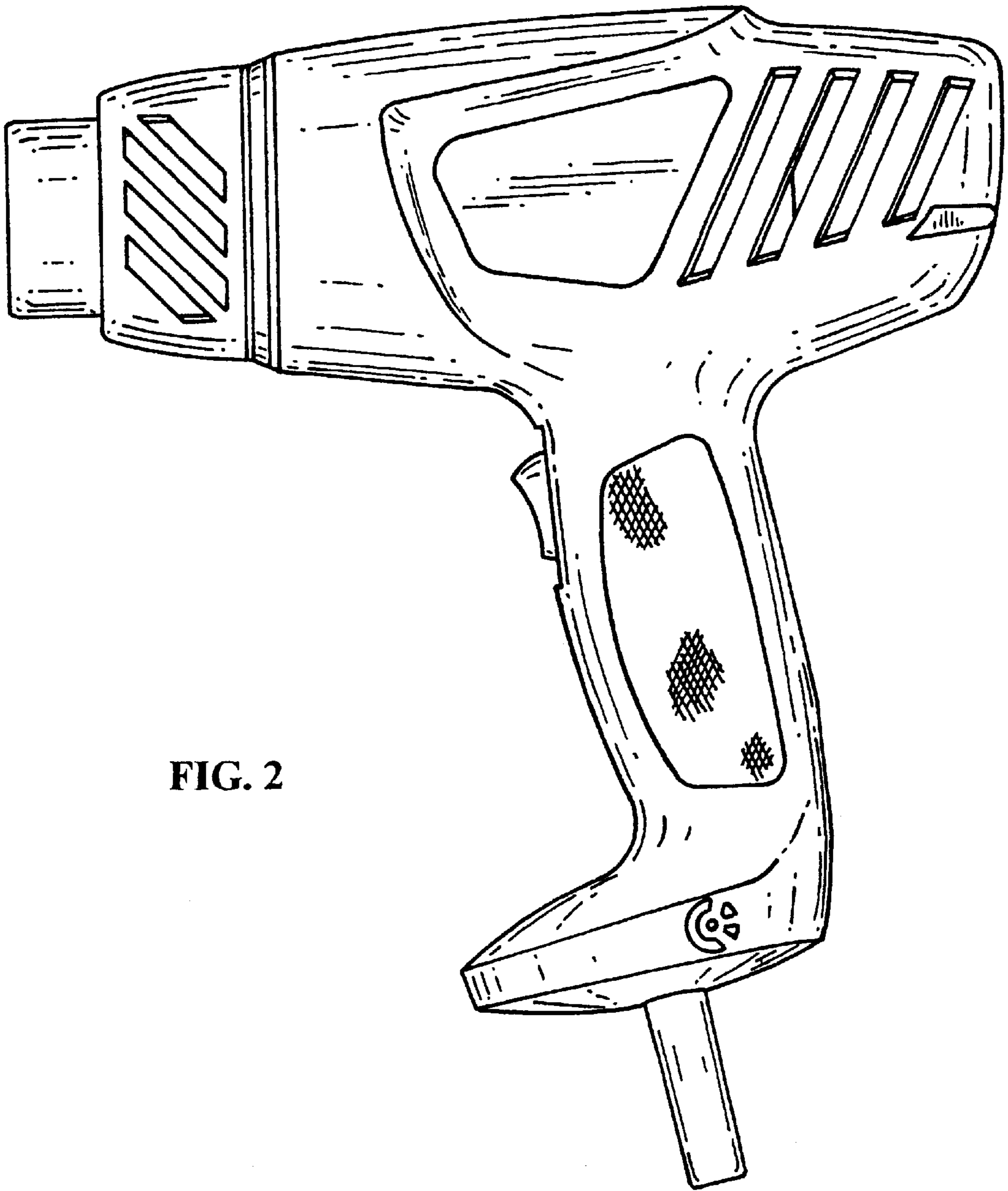


FIG. 2

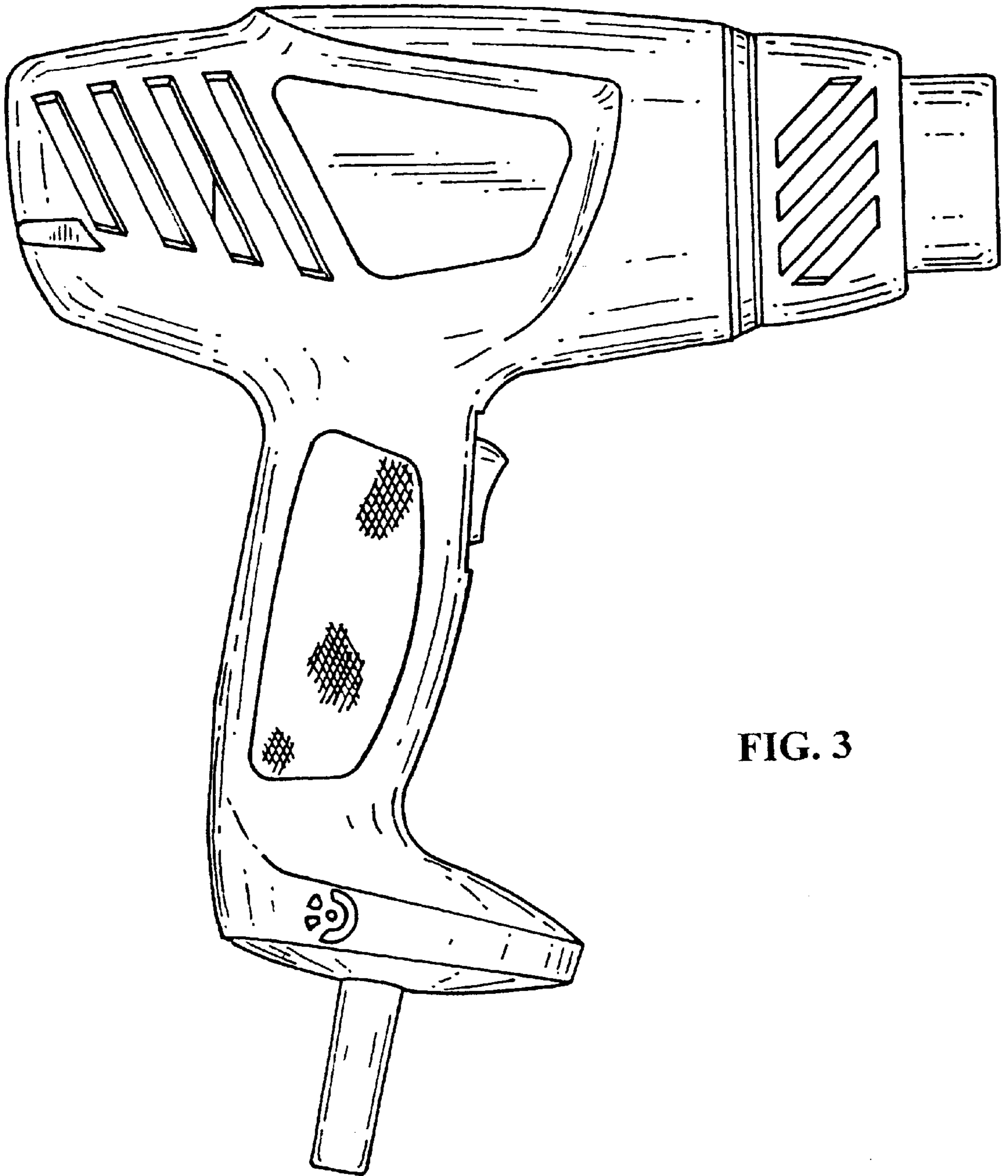


FIG. 3

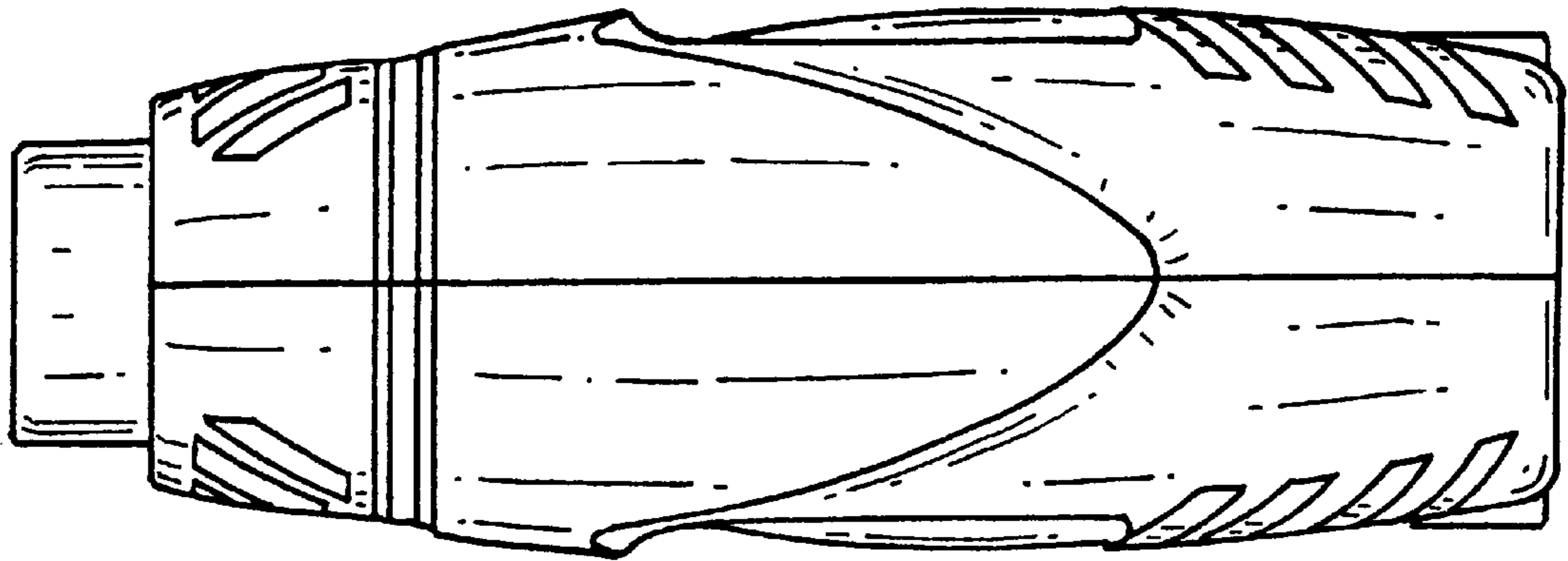


FIG. 4

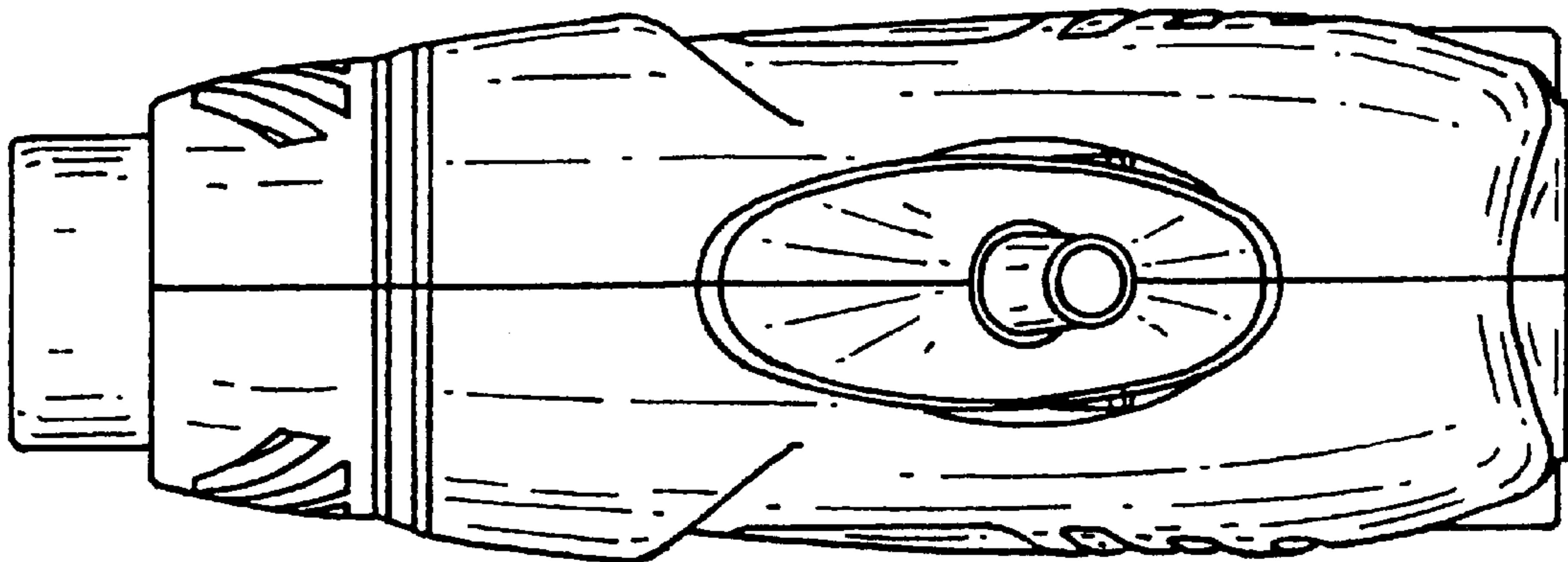


FIG. 5

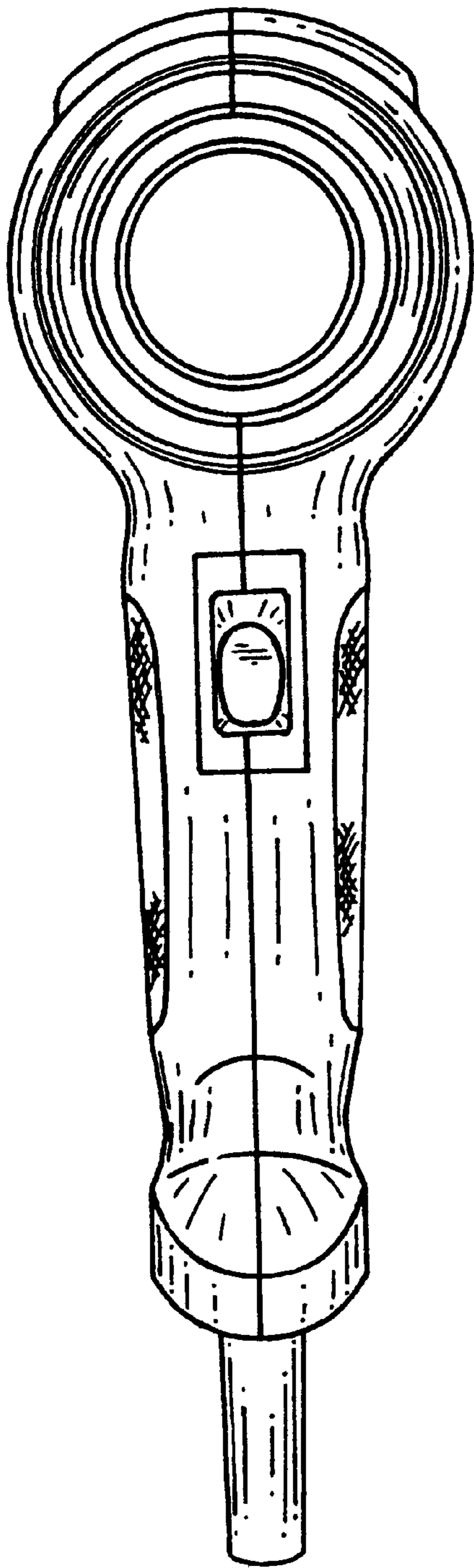


FIG. 6

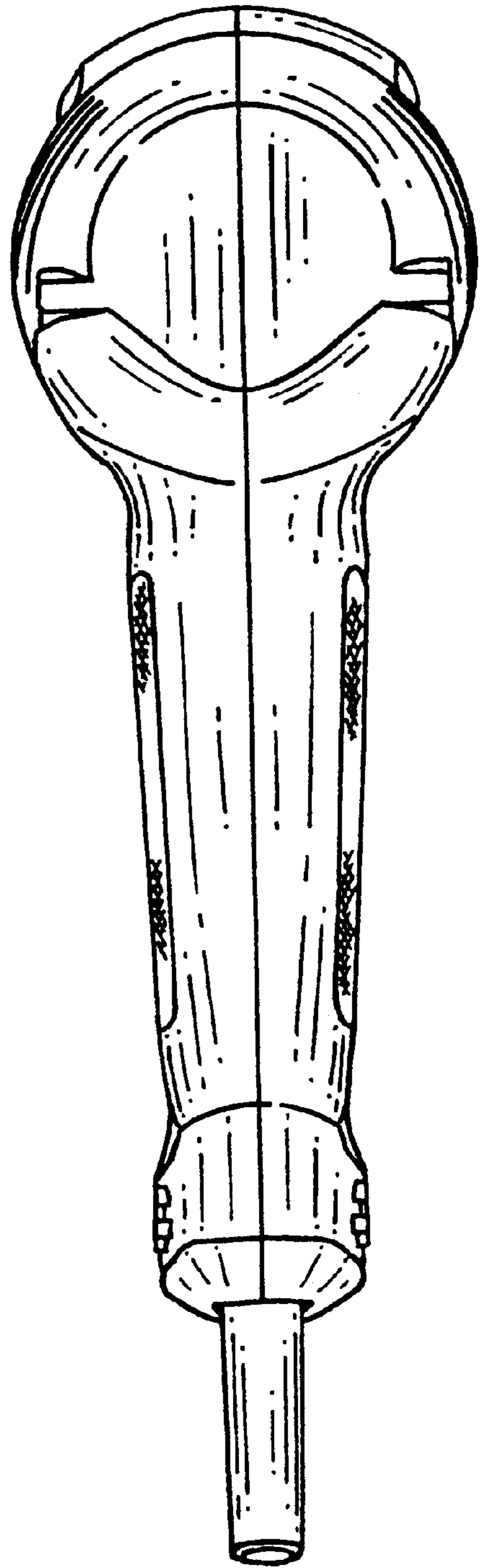


FIG. 7