



US00D481276S

(12) **United States Design Patent**
Hu

(10) **Patent No.:** **US D481,276 S**

(45) **Date of Patent:** **** Oct. 28, 2003**

(54) **WRENCH**

(76) Inventor: **Bobby Hu**, 8F, No. 536~1, Ta Chin Street, Taichung (TW)

(**) Term: **14 Years**

(21) Appl. No.: **29/175,660**

(22) Filed: **Feb. 7, 2003**

(51) **LOC (7) Cl.** **08-05**

(52) **U.S. Cl.** **D8/28**

(58) **Field of Search** D8/17, 21-29;
81/119, 125.1, 124.7, 124.3, 125.5, 186,
177.1, 489

(56) **References Cited**

U.S. PATENT DOCUMENTS

1,793,714 A	*	2/1931	Newberg	81/125.1
3,029,673 A	*	4/1962	Godsey	81/185
5,172,614 A	*	12/1992	Monnet et al.	81/119
D403,215 S	*	12/1998	Hsieh	D8/28

D431,432 S	*	10/2000	Hsieh	D8/28
D434,292 S	*	11/2000	Hsieh	D8/28
D476,868 S	*	7/2003	Wright et al.	D8/28

* cited by examiner

Primary Examiner—Raphael Barkai
(74) *Attorney, Agent, or Firm*—Alan D. Kamrath; Rider Bennett, LLP.

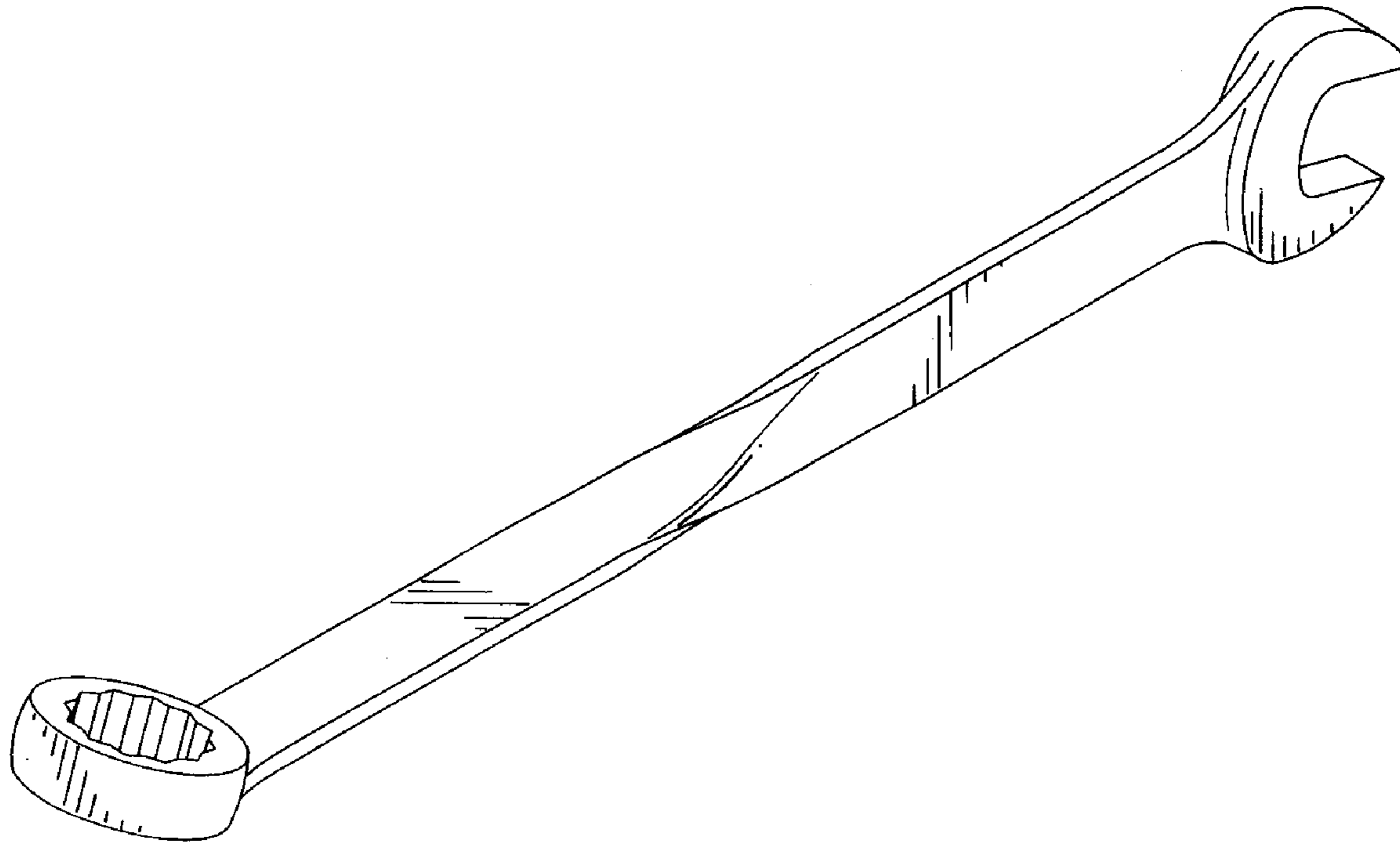
(57) **CLAIM**

The ornamental design for wrench, as shown and described.

DESCRIPTION

FIG. 1 is a perspective view of a wrench showing my new design;
FIG. 2 is a front view thereof;
FIG. 3 is a rear view thereof;
FIG. 4 is a left view thereof;
FIG. 5 is a right view thereof;
FIG. 6 is a top view thereof; and,
FIG. 7 is a bottom view thereof.

1 Claim, 2 Drawing Sheets



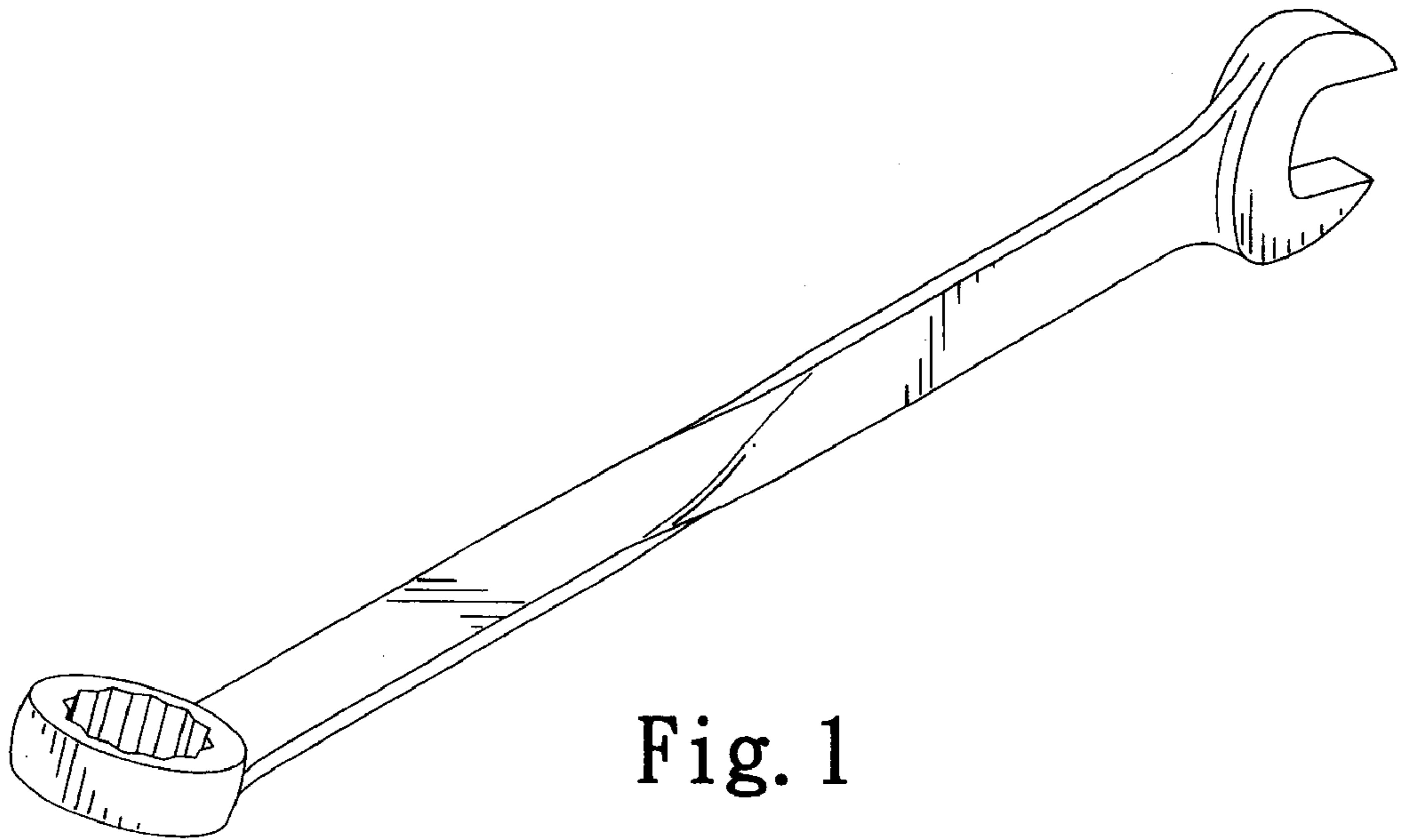


Fig. 1

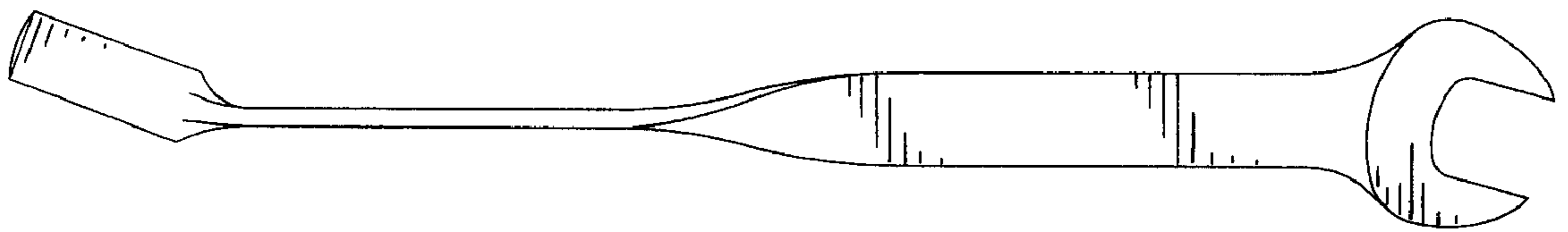


Fig. 2

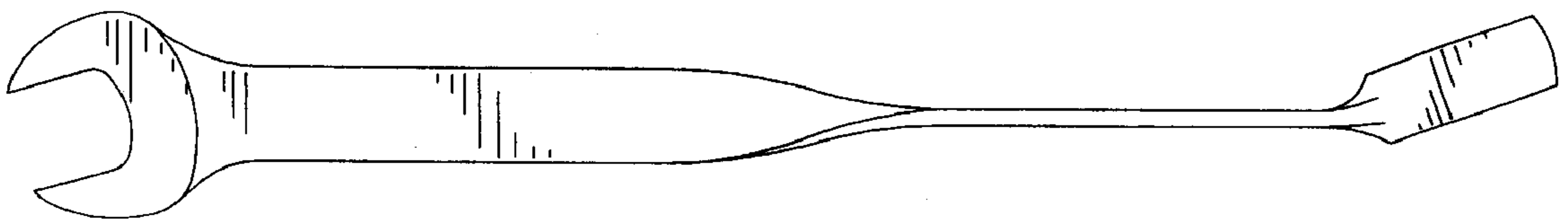


Fig. 3

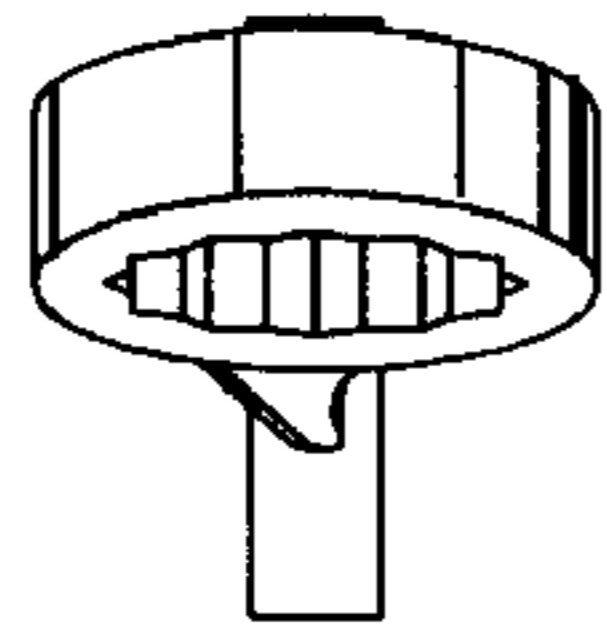


Fig. 4

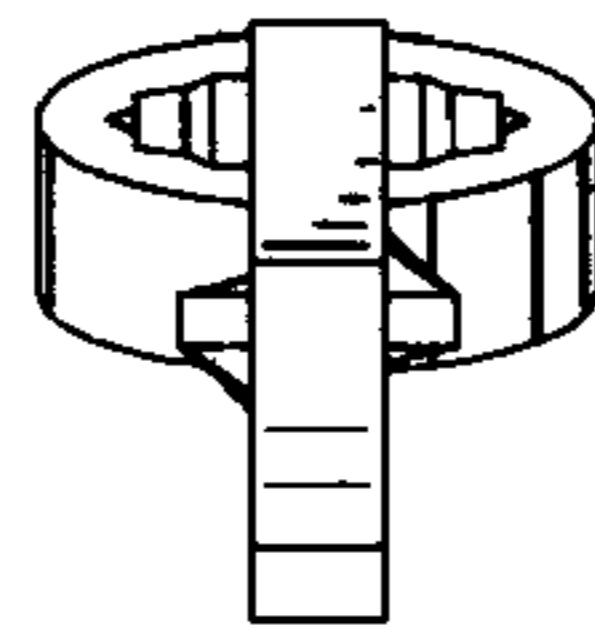


Fig. 5



Fig. 6

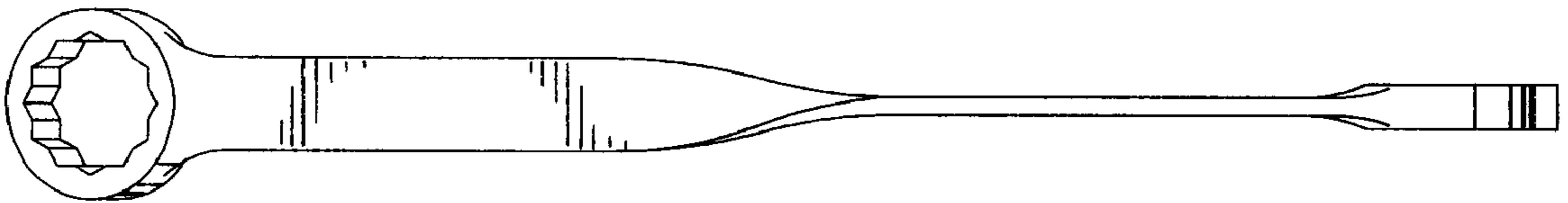


Fig. 7



US00D481276C1

(12) **EX PARTE REEXAMINATION CERTIFICATE** (5902nd)
United States Patent
Hu

(10) **Number:** **US D481,276 C1**
(45) **Certificate Issued:** **Sep. 25, 2007**

(54) **WRENCH**

(76) **Inventor:** **Bobby Hu**, 8F, No. 536-1, Ta Chin Street, Taichung (TW)

Reexamination Request:

No. 90/006,917, Jan. 21, 2004

Reexamination Certificate for:

Patent No.: **Des. 481,276**
Issued: **Oct. 28, 2003**
Appl. No.: **29/175,660**
Filed: **Feb. 7, 2003**

- (51) **LOC (8) Cl.** **08-05**
- (52) **U.S. Cl.** **D8/28**
- (58) **Field of Classification Search** D8/17,
D8/21-29, 331, 373; 81/119, 125.1, 124.7,
81/124.3, 125.5, 186, 177.1, 489; 30/339;
428/28; 403/205

See application file for complete search history.

(56) **References Cited**

U.S. PATENT DOCUMENTS

1,049,455 A	*	1/1913	Clarkson	403/205
1,793,714 A	*	2/1931	Newberg	81/125.1
2,264,666 A	*	12/1941	Hexdall	411/468
D306,688 S	*	3/1990	Hyde	D8/331
D403,215 S		12/1998	Hsieh		
D431,432 S		10/2000	Hsieh		
D434,292 S		11/2000	Hsieh		

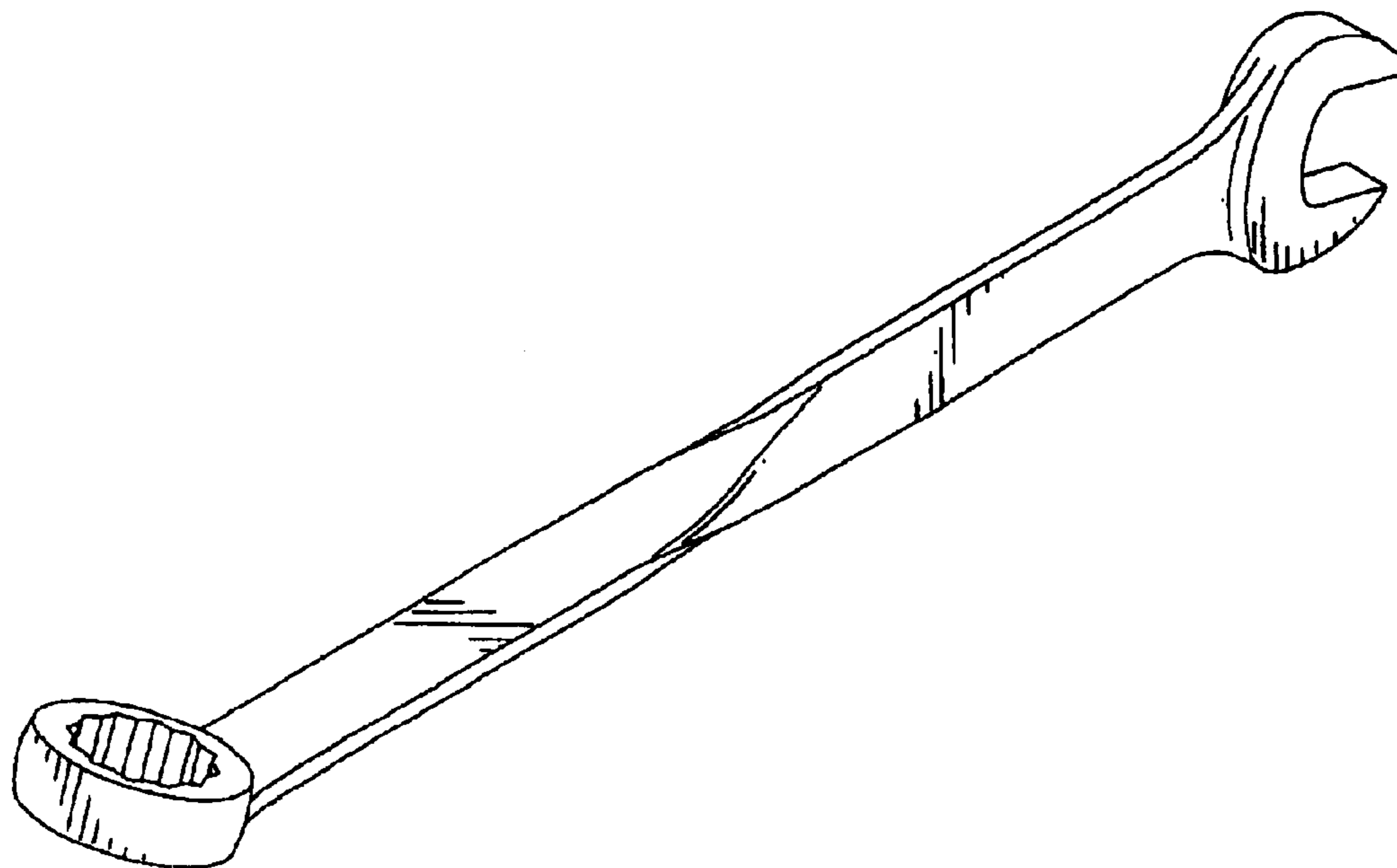
OTHER PUBLICATIONS

Hardware & Building Materials Buyers' Guide 2001-2002, cover page and p. 11.

Kabo Tool Co. 2001 Catalog, cover and p. 20.

* cited by examiner

Primary Examiner—Paula A. Greene



1
EX PARTE
REEXAMINATION CERTIFICATE
ISSUED UNDER 35 U.S.C. 307

AS A RESULT OF REEXAMINATION, IT HAS BEEN
DETERMINED THAT:

2

The patentability of the claim is confirmed.

The ornamental design for wrench, as shown and
described.

* * * * *