



US00D481275S

(12) **United States Design Patent**  
**Black**

(10) **Patent No.:** **US D481,275 S**

(45) **Date of Patent:** **\*\* Oct. 28, 2003**

(54) **WRENCH ADAPTER**

(76) Inventor: **Daniel D. Black**, 285 Black Grubb Rd.,  
Salisbury, NC (US) 28146

(\*\*) Term: **14 Years**

(21) Appl. No.: **29/174,957**

(22) Filed: **Jan. 28, 2003**

**Related U.S. Application Data**

(63) Continuation of application No. 10/008,702, filed on Dec. 7,  
2001, now abandoned.

(51) **LOC (7) Cl.** ..... **08-05**

(52) **U.S. Cl.** ..... **D8/21**

(58) **Field of Search** ..... D8/17, 21-29;  
81/180.1, 119, 121.1, 125, 184, 185.1, 185.2,  
13, 185

(56) **References Cited**

**U.S. PATENT DOCUMENTS**

1,615,497 A \* 1/1927 Woods ..... 81/180.1

2,368,902 A \* 2/1945 Thompson ..... 81/125  
2,567,352 A \* 9/1951 Rozmus ..... 81/125  
3,916,736 A \* 11/1975 Clemens ..... 81/185  
4,787,273 A \* 11/1988 Griffith ..... 81/13

\* cited by examiner

*Primary Examiner*—Raphael Barkai

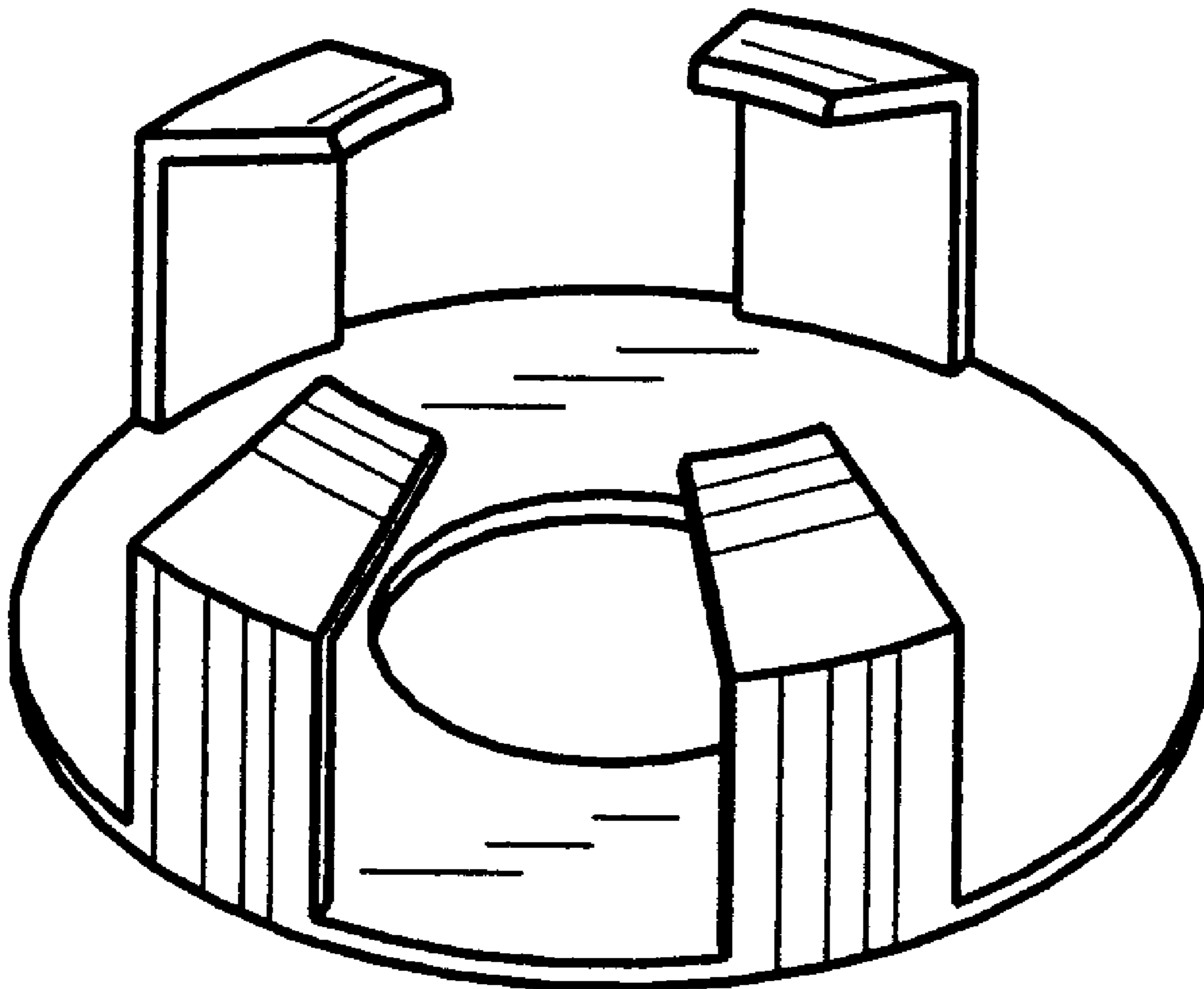
(57) **CLAIM**

The ornamental design for a wrench adapter, as shown and  
described.

**DESCRIPTION**

FIG. 1 is a top right side perspective view of a wrench  
adapter embodying my design;  
FIG. 2 is a top plan view thereof;  
FIG. 3 is a right side elevational view thereof, the left side  
being a mirror image thereof;  
FIG. 4 is a front elevational view thereof; and,  
FIG. 5 is a bottom plan view thereof.

**1 Claim, 2 Drawing Sheets**



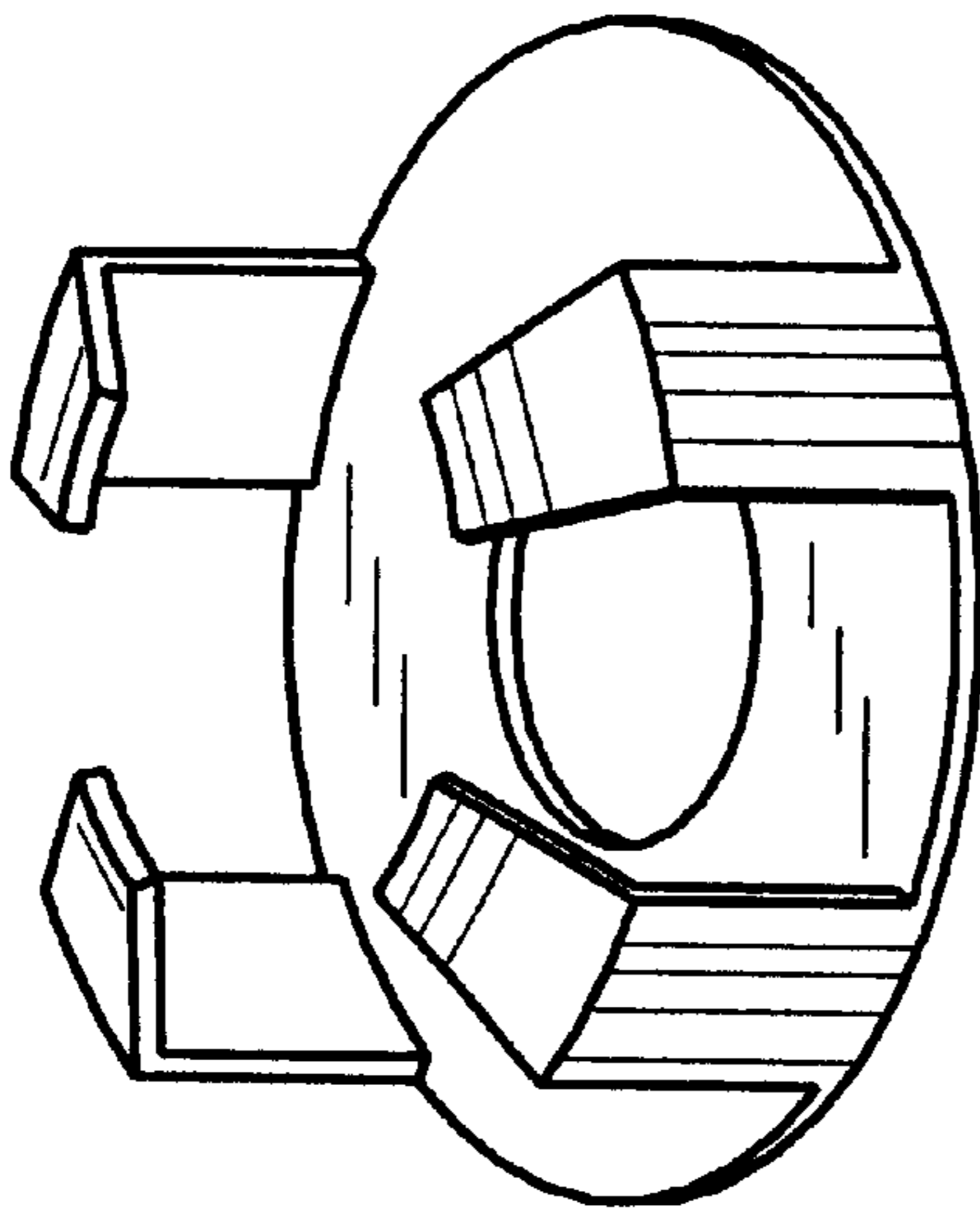


FIG. 1

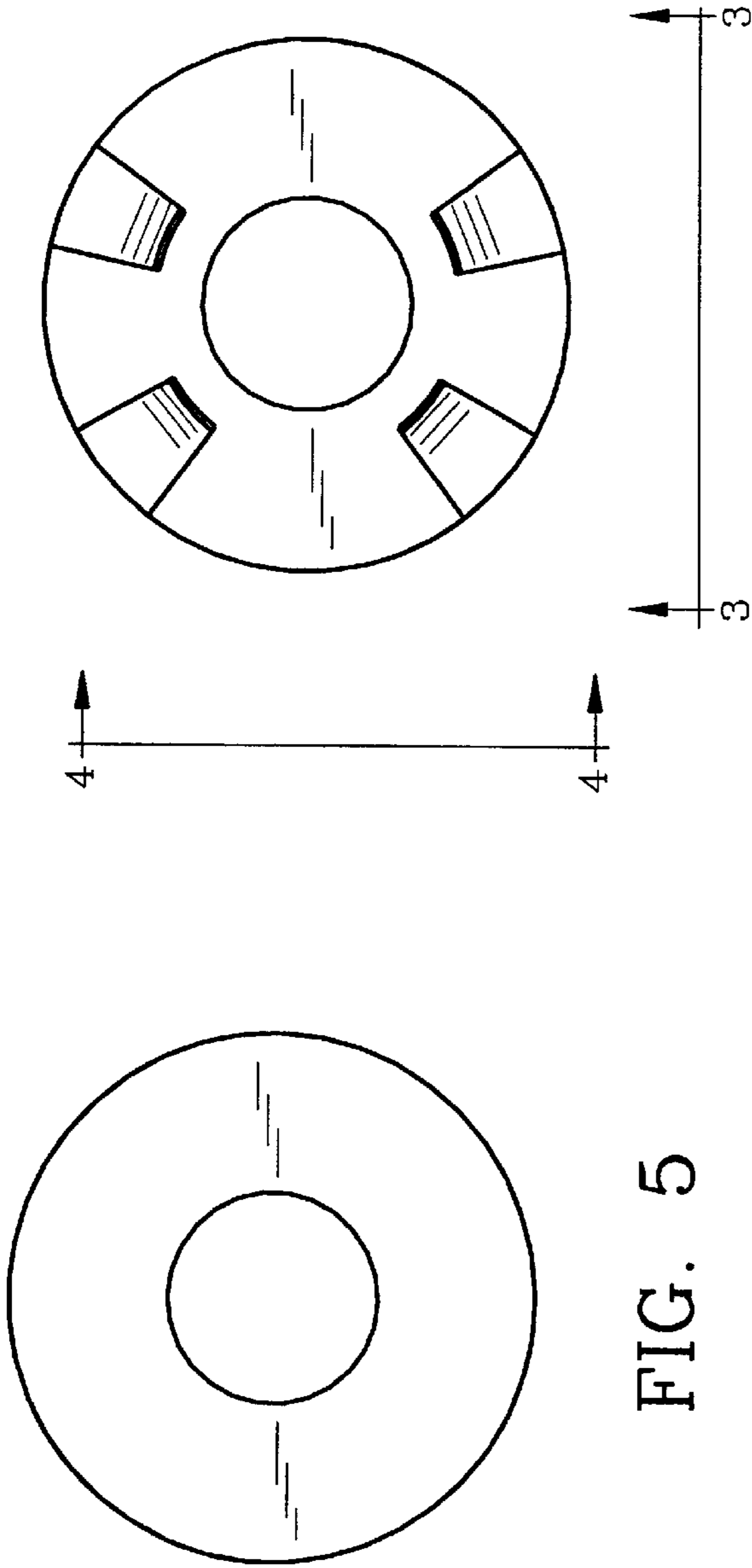


FIG. 2

FIG. 5

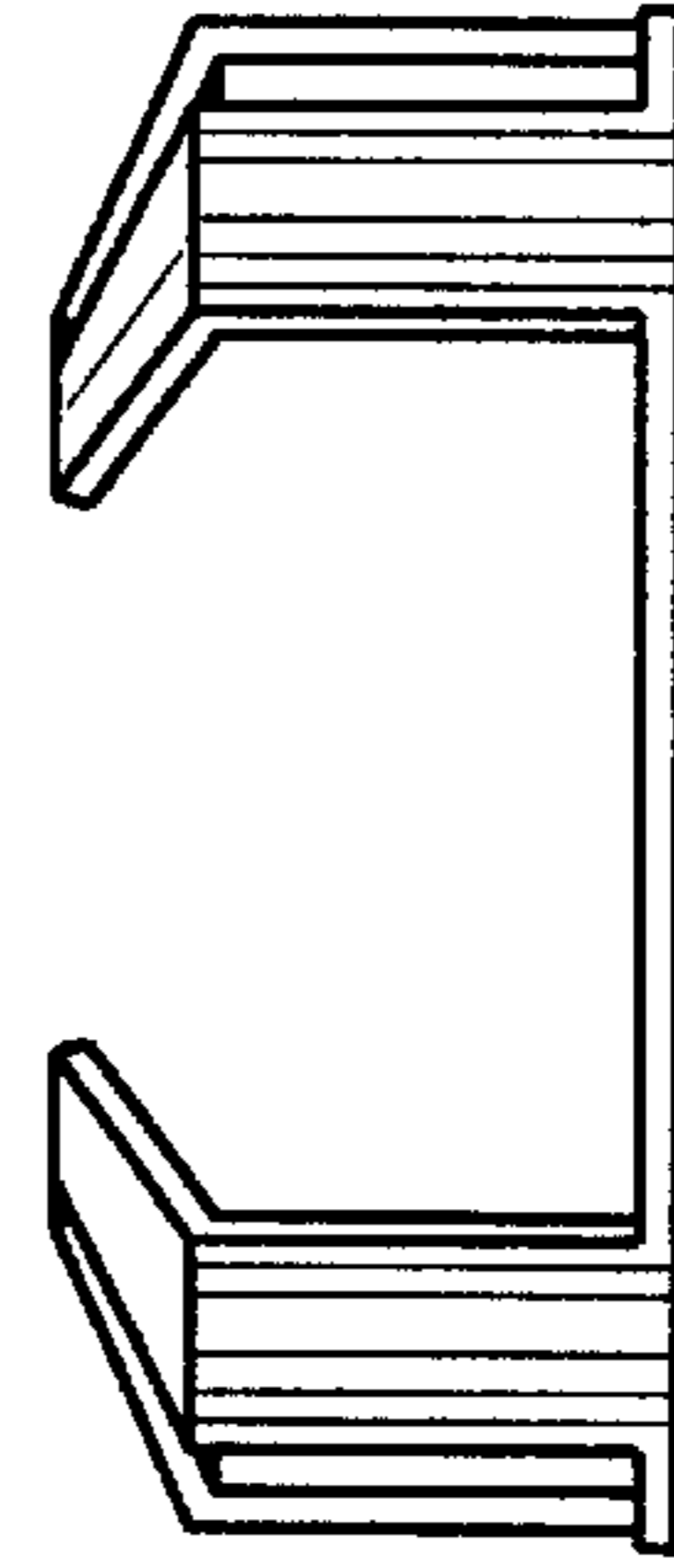


FIG. 4

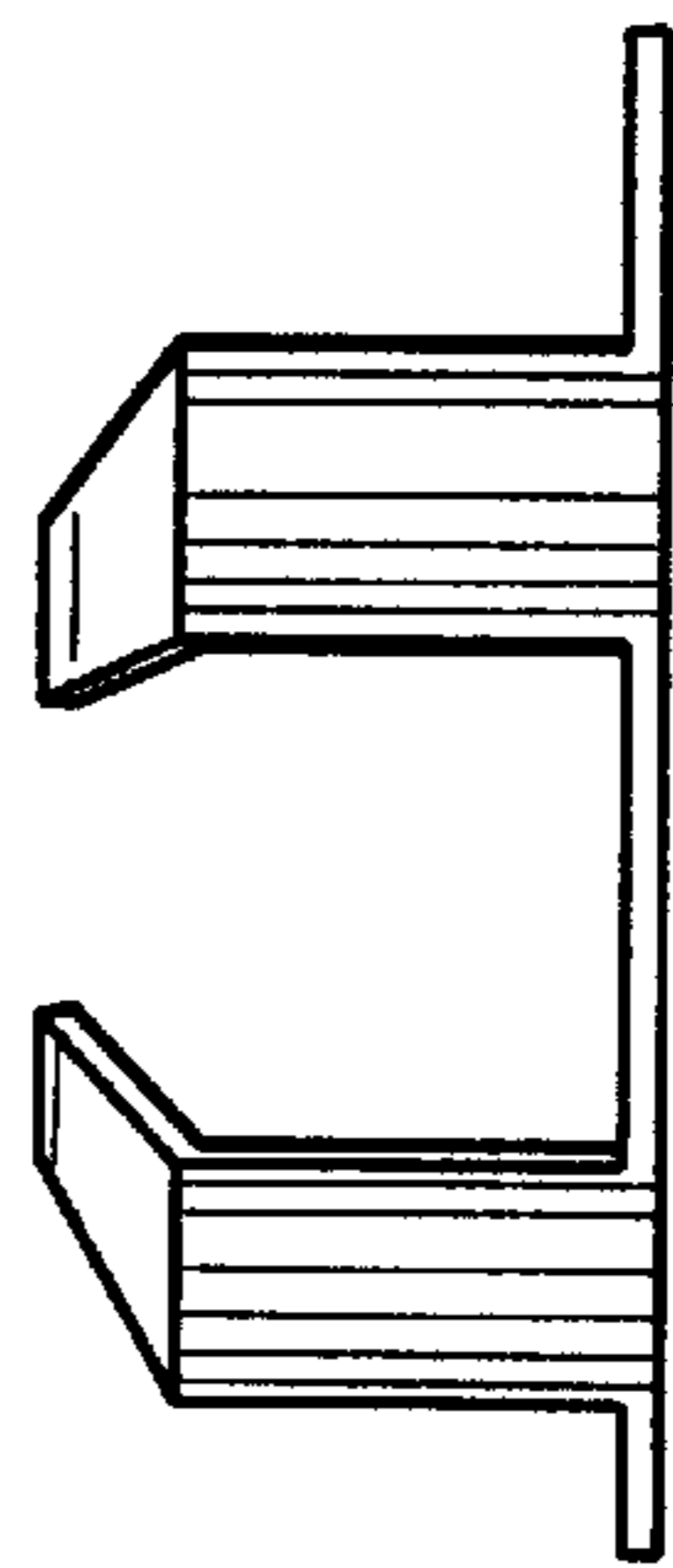


FIG. 3