



US00D481272S

(12) **United States Design Patent**  
**Jeffers**

(10) **Patent No.:** **US D481,272 S**

(45) **Date of Patent:** **\*\* Oct. 28, 2003**

(54) **CLAM OPENER**

(76) **Inventor:** **Hubert E. Jeffers**, P.O. Box 886, Water Mill, NY (US) 11976

(\*\*) **Term:** **14 Years**

(21) **Appl. No.:** **29/175,596**

(22) **Filed:** **Feb. 10, 2003**

(51) **LOC (7) Cl.** ..... **07-06**

(52) **U.S. Cl.** ..... **D7/693**

(58) **Field of Search** ..... D7/680, 693; 30/120.2, 30/120.5; 452/6, 13, 16, 17, 102

(56) **References Cited**

**U.S. PATENT DOCUMENTS**

3,072,162 A	1/1963	Creed	
3,706,114 A	12/1972	Waechter	
3,811,153 A	5/1974	Rizzo	
4,139,760 A	2/1979	Banks	
4,590,644 A	5/1986	Maniscalco	
D342,870 S	* 1/1994	LeClair	..... D7/693

5,288,263 A	*	2/1994	Ayala	.....	452/16
D348,184 S		6/1994	Neshat et al.		
5,482,500 A		1/1996	Boettner et al.		
D404,978 S	*	2/1999	Youngblood, Jr.	.....	D7/693

\* cited by examiner

*Primary Examiner*—Terry A. Wallace

(74) *Attorney, Agent, or Firm*—Donald R. Schoonover

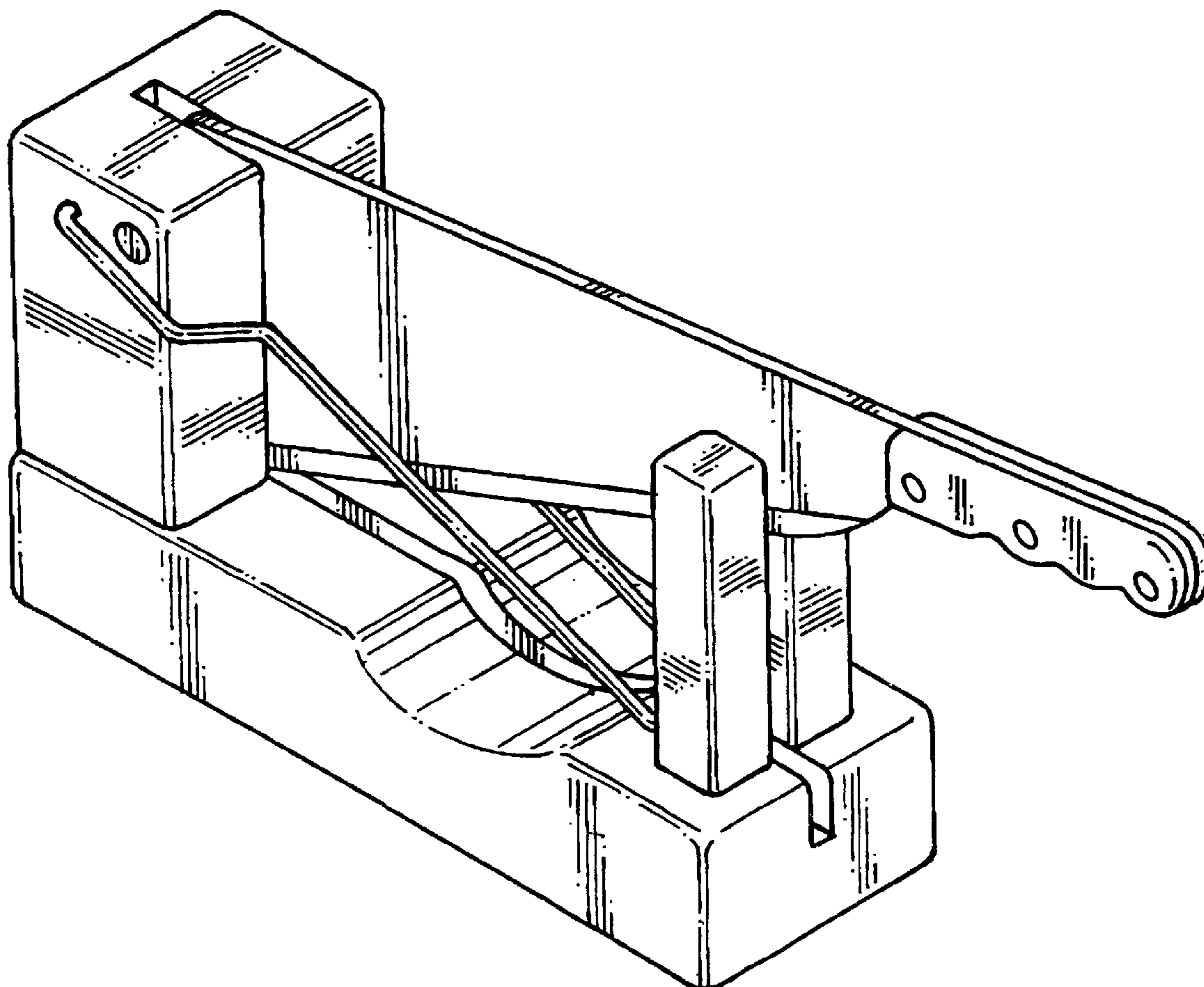
(57) **CLAIM**

I claim the ornamental design for a clam opener, as shown and described.

**DESCRIPTION**

FIG. 1 is a perspective view of a clam opener showing my new design;  
 FIG. 2 is a front elevational view thereof;  
 FIG. 3 is a rear elevational view thereof;  
 FIG. 4 is a right side elevational view thereof, the left side elevational view being a mirror image thereof;  
 FIG. 5 is a top plan view thereof; and,  
 FIG. 6 is a bottom plan view thereof.

**1 Claim, 3 Drawing Sheets**



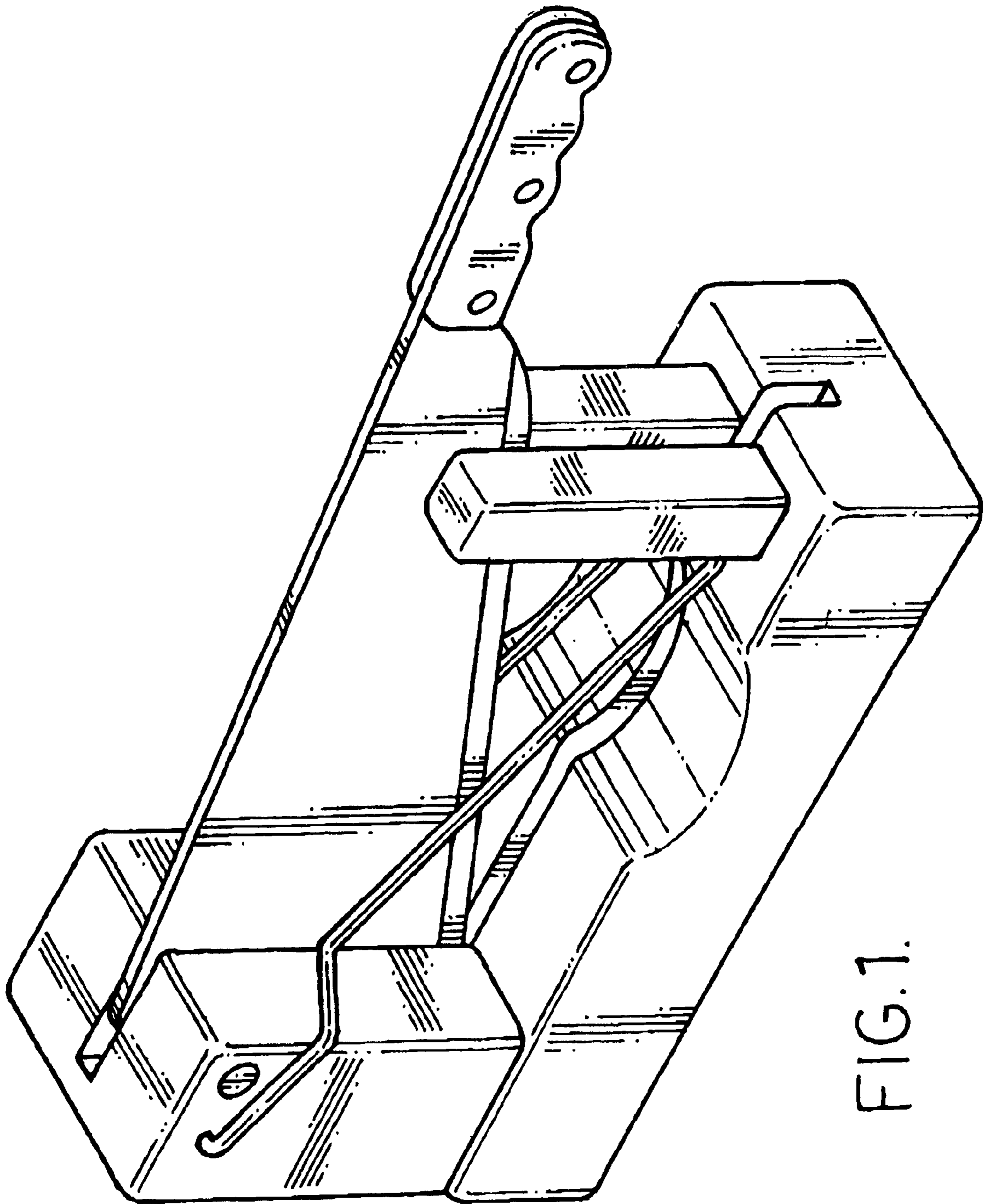
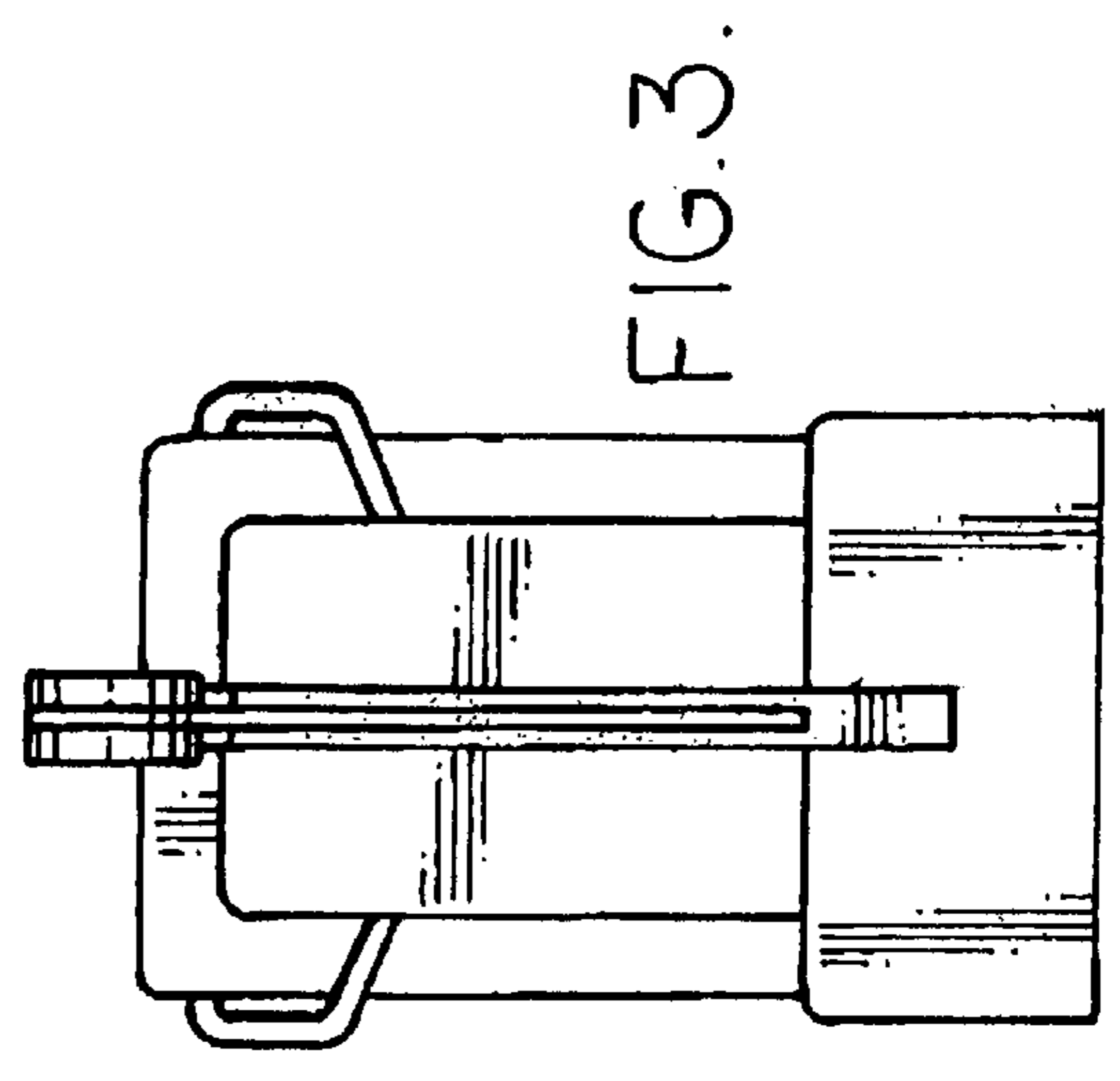
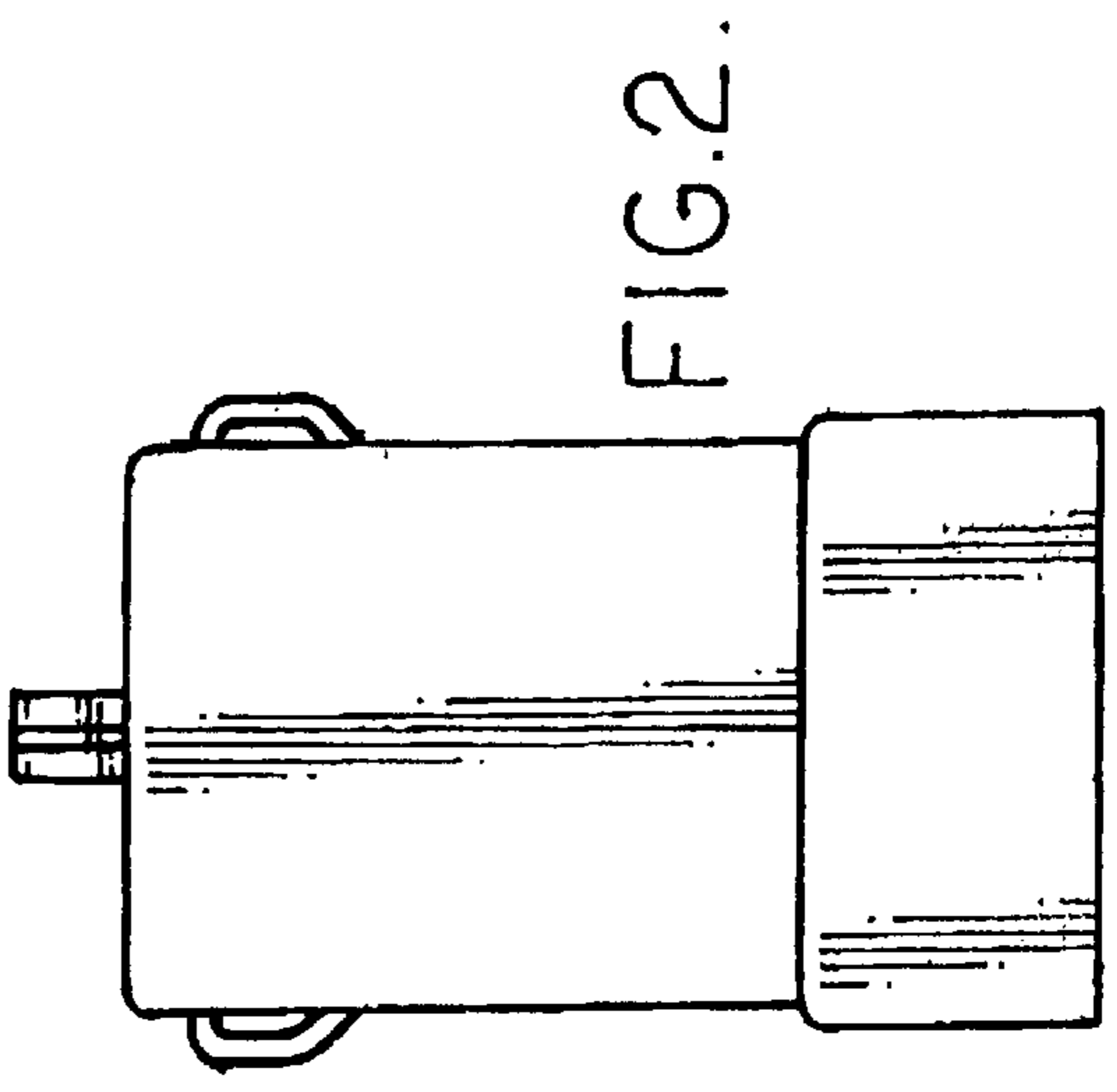
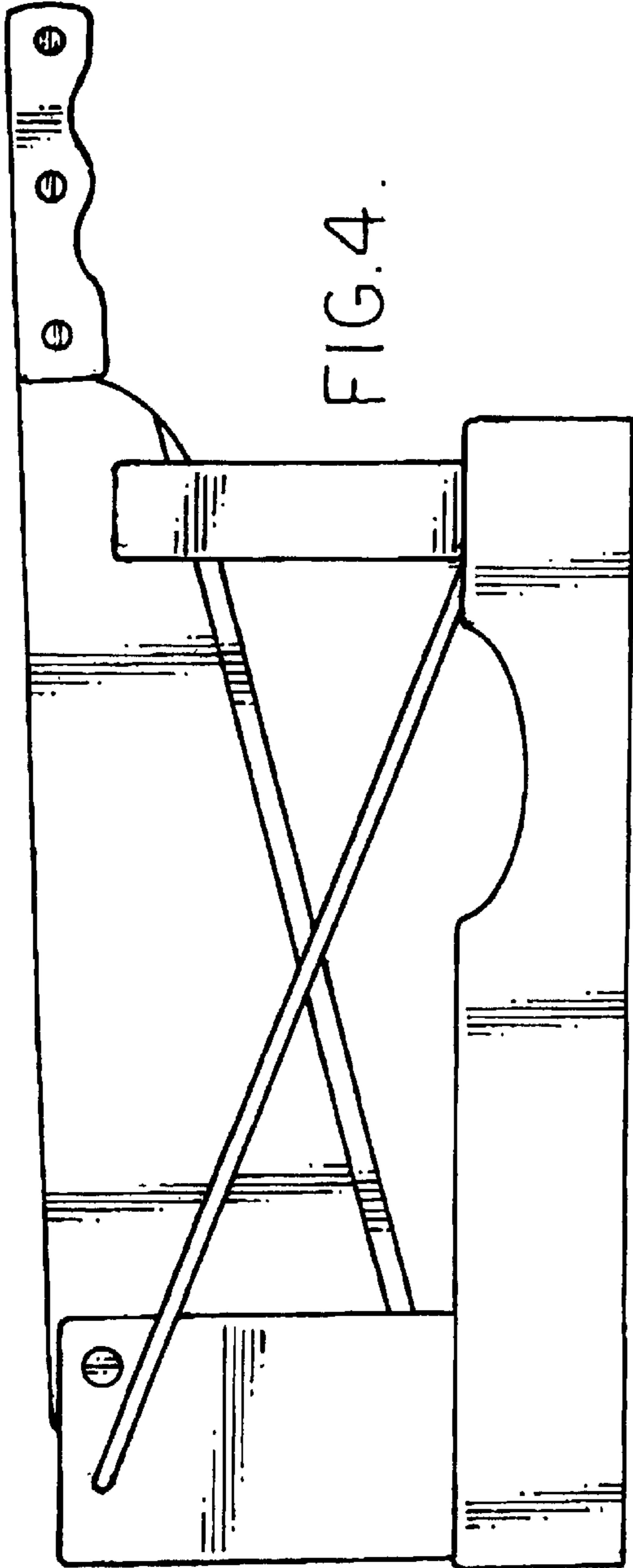


FIG. 1.



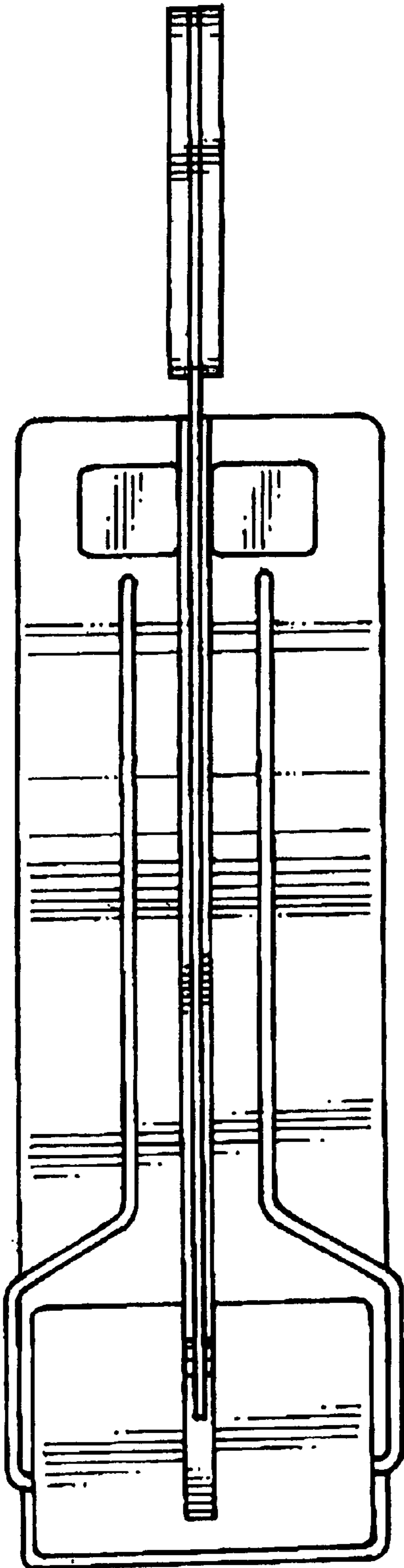


FIG. 5.

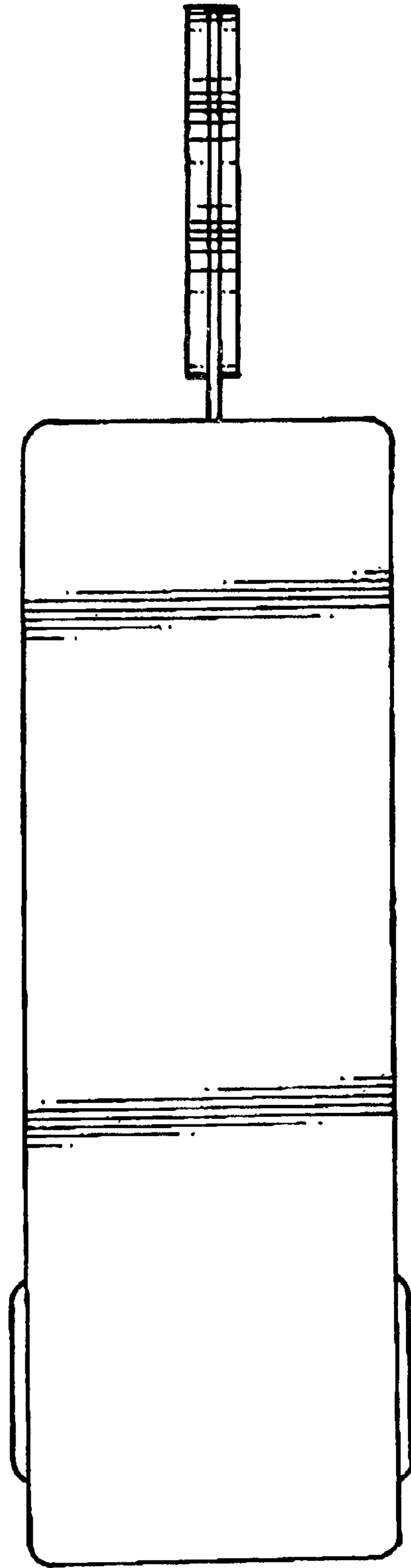


FIG. 6.