



US00D481271S

(12) **United States Design Patent**
Herren

(10) **Patent No.:** **US D481,271 S**

(45) **Date of Patent:** **** Oct. 28, 2003**

(54) **FOOD CHOPPER**

(75) Inventor: **Bruno Herren**, Bern (CH)

(73) Assignee: **Moha Moderne Haushaltwaren AG**,
Zollikofen (CH)

(**) Term: **14 Years**

(21) Appl. No.: **29/163,746**

(22) Filed: **Jul. 11, 2002**

(30) **Foreign Application Priority Data**

Jan. 11, 2002 (CH) 128461

(51) **LOC (7) Cl.** **07-04**

(52) **U.S. Cl.** **D7/693**

(58) **Field of Search** D7/693, 381, 372,
D7/412, 669; 99/337, 645; 241/100, 168,
169, 169.1, 270, 272

(56) **References Cited**

U.S. PATENT DOCUMENTS

3,933,315 A * 1/1976 Popeil 241/169
4,967,970 A * 11/1990 Michel 241/169
D331,170 S * 11/1992 Greiner D7/693
5,632,450 A * 5/1997 Moor 241/100

* cited by examiner

Primary Examiner—Terry A. Wallace

(74) *Attorney, Agent, or Firm*—Pauley Petersen & Erickson

(57) **CLAIM**

The ornamental design for a food chopper, as shown.

DESCRIPTION

FIG. 1 is a front perspective view of a food chopper,
according to one embodiment of this invention;

FIG. 2 is a rear view of the food chopper, as shown in FIG.
1;

FIG. 3 is a front view of the food chopper, as shown in FIG.
1;

FIG. 4 is a side view of the food chopper, as shown in FIG.
1;

FIG. 5 is a side view, opposite the side view shown in FIG.
4, of the food chopper, as shown in FIG. 1;

FIG. 6 is a top view of the food chopper, as shown in FIG.
1;

FIG. 7 is a bottom view of the food chopper, as shown in
FIG. 1;

FIG. 8 is a front perspective view of a food chopper,
according to one embodiment of this invention;

FIG. 9 is a rear view of the food chopper, as shown in FIG.
8;

FIG. 10 is a front view of the food chopper, as shown in FIG.
8;

FIG. 11 is a side view of the food chopper, as shown in FIG.
8;

FIG. 12 is a side view, opposite the side view shown in FIG.
11, of the food chopper, as shown in FIG. 8;

FIG. 13 is a top view of the food chopper, as shown in FIG.
8;

FIG. 14 is a bottom view of the food chopper, as shown in
FIG. 8;

FIG. 15 is a front perspective view of a food chopper,
according to one embodiment of this invention;

FIG. 16 is a rear view of the food chopper, as shown in FIG.
15;

FIG. 17 is a front view of the food chopper, as shown in FIG.
15;

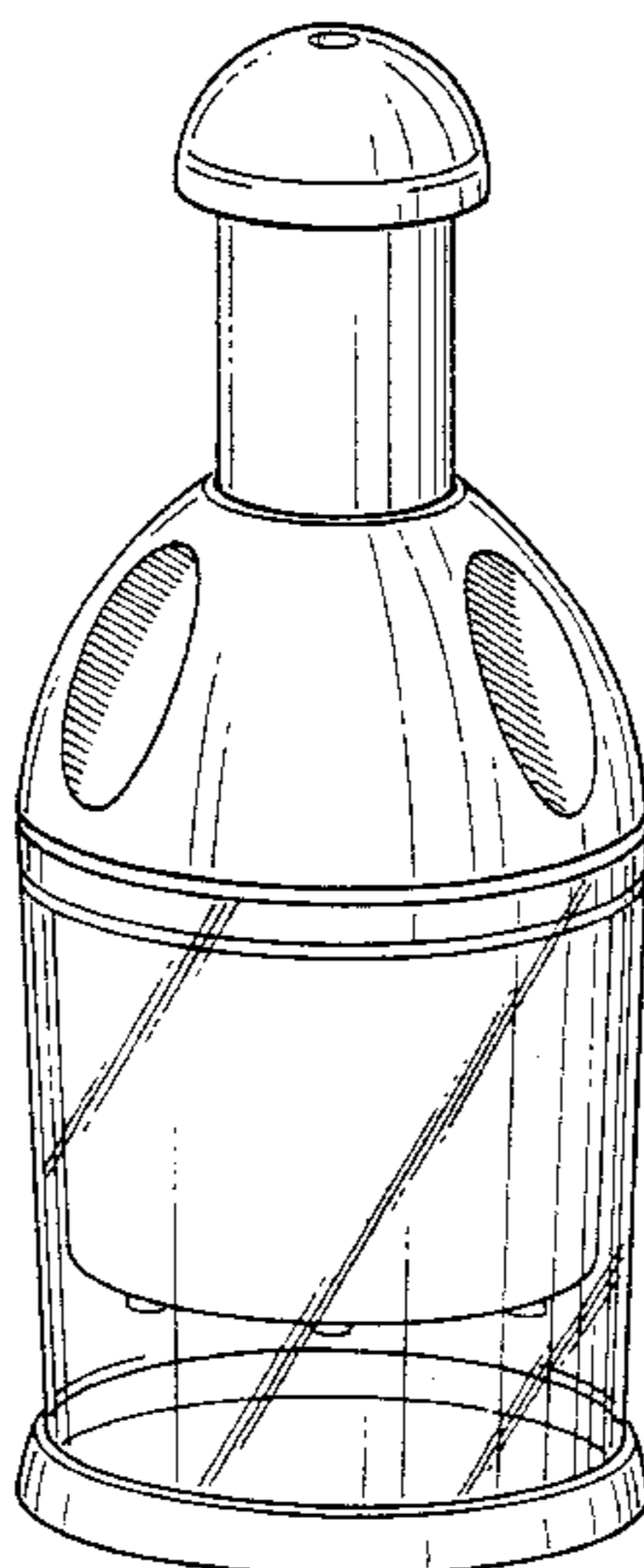
FIG. 18 is a side view of the food chopper, as shown in FIG.
15;

FIG. 19 is a side view, opposite the side view shown in FIG.
18, of the food chopper, as shown in FIG. 15;

FIG. 20 is a top view of the food chopper, as shown in FIG.
15; and,

FIG. 21 is a bottom view of the food chopper, as shown in
FIG. 15.

1 Claim, 12 Drawing Sheets



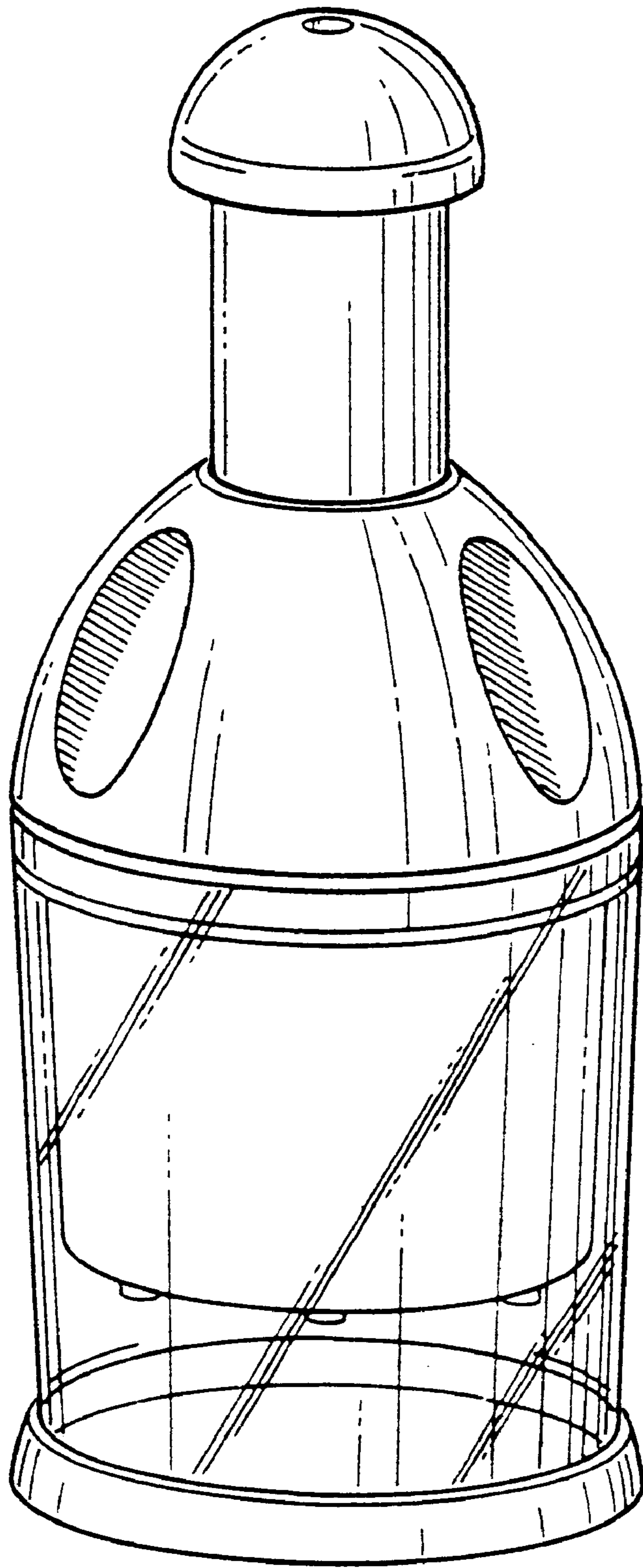


FIG. 1

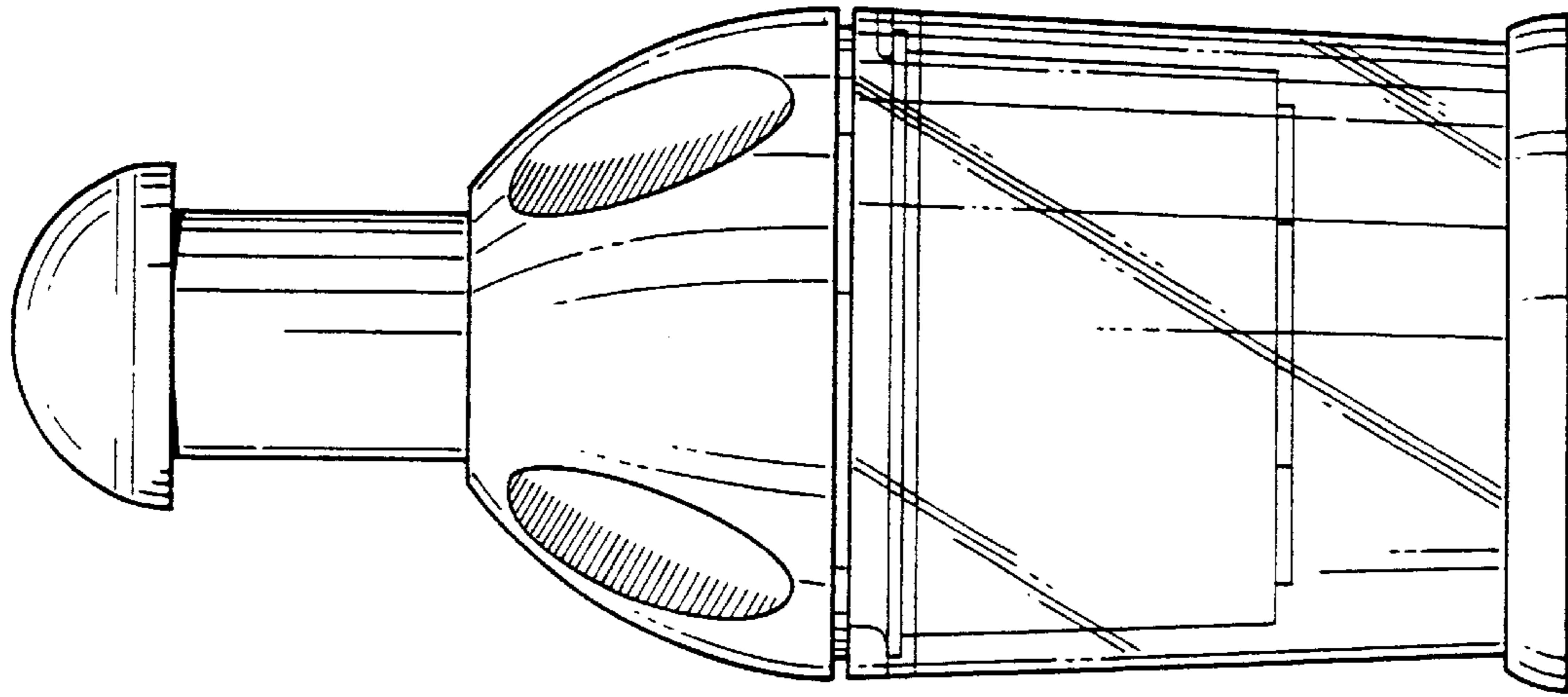


FIG. 3

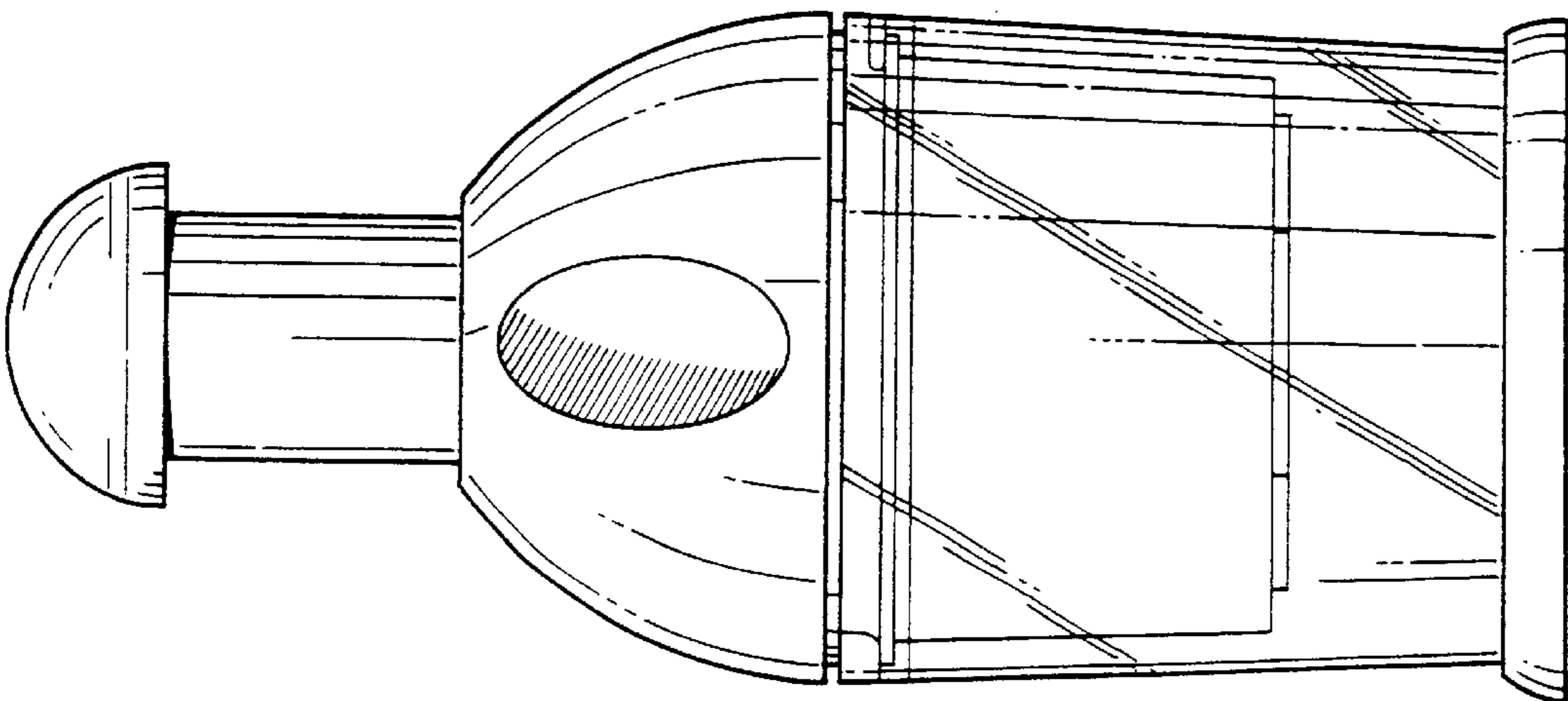


FIG. 2

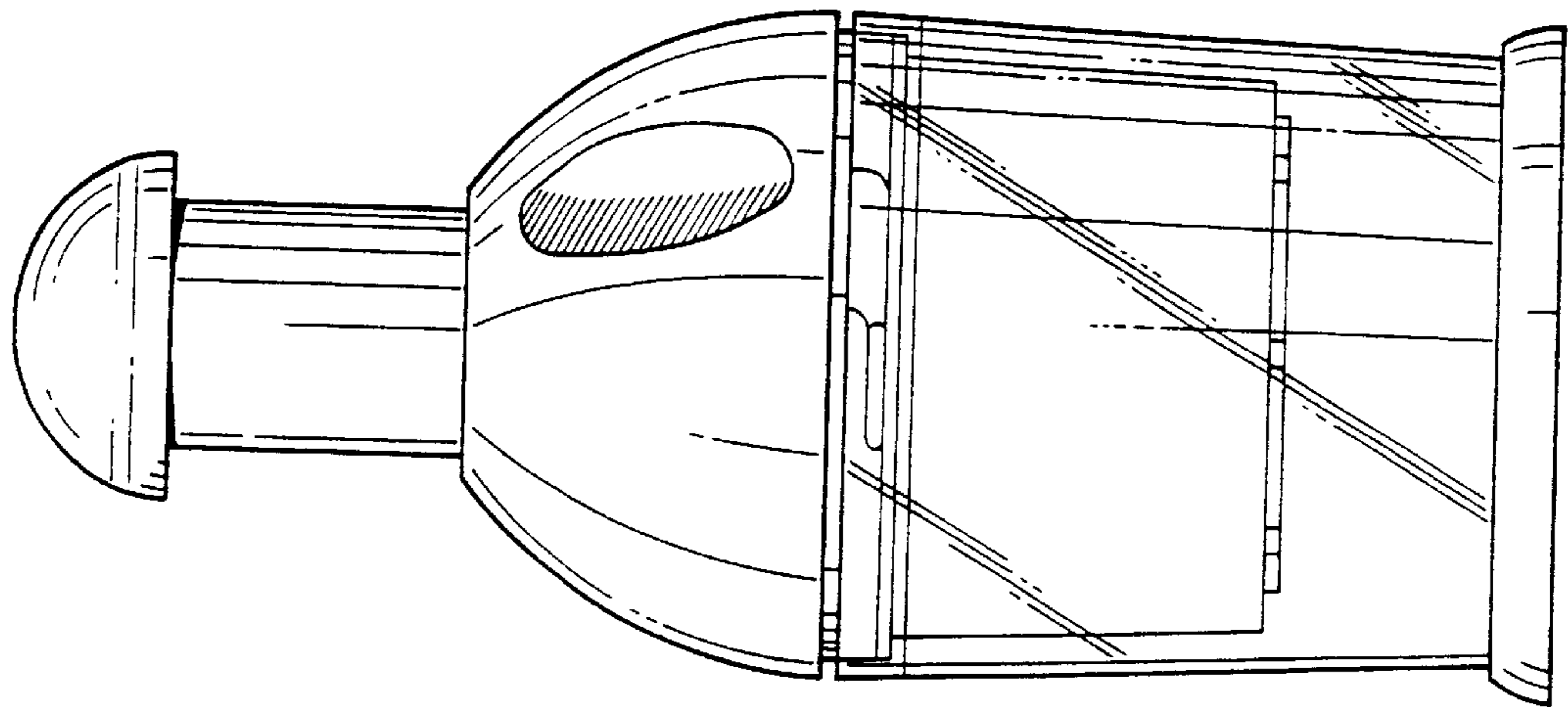


FIG. 5

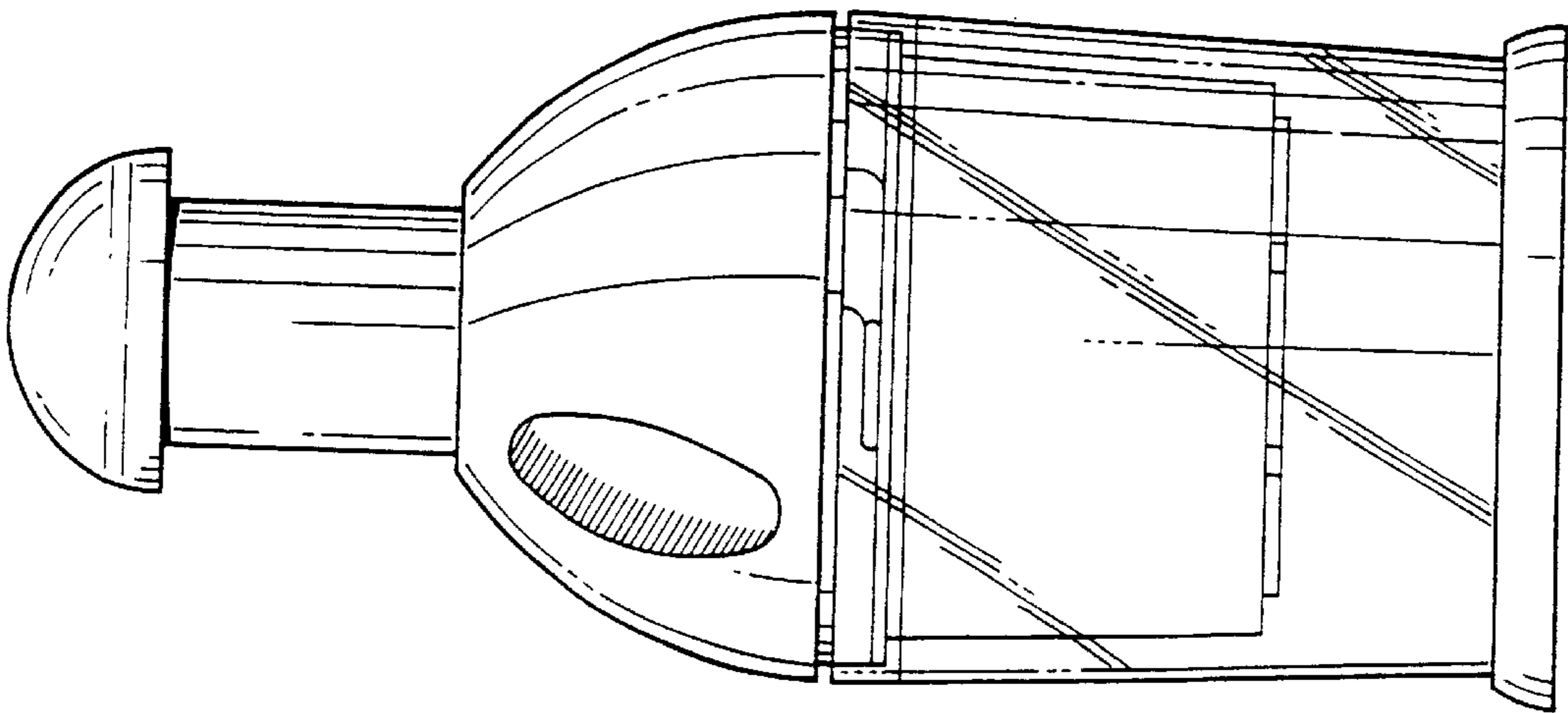


FIG. 4

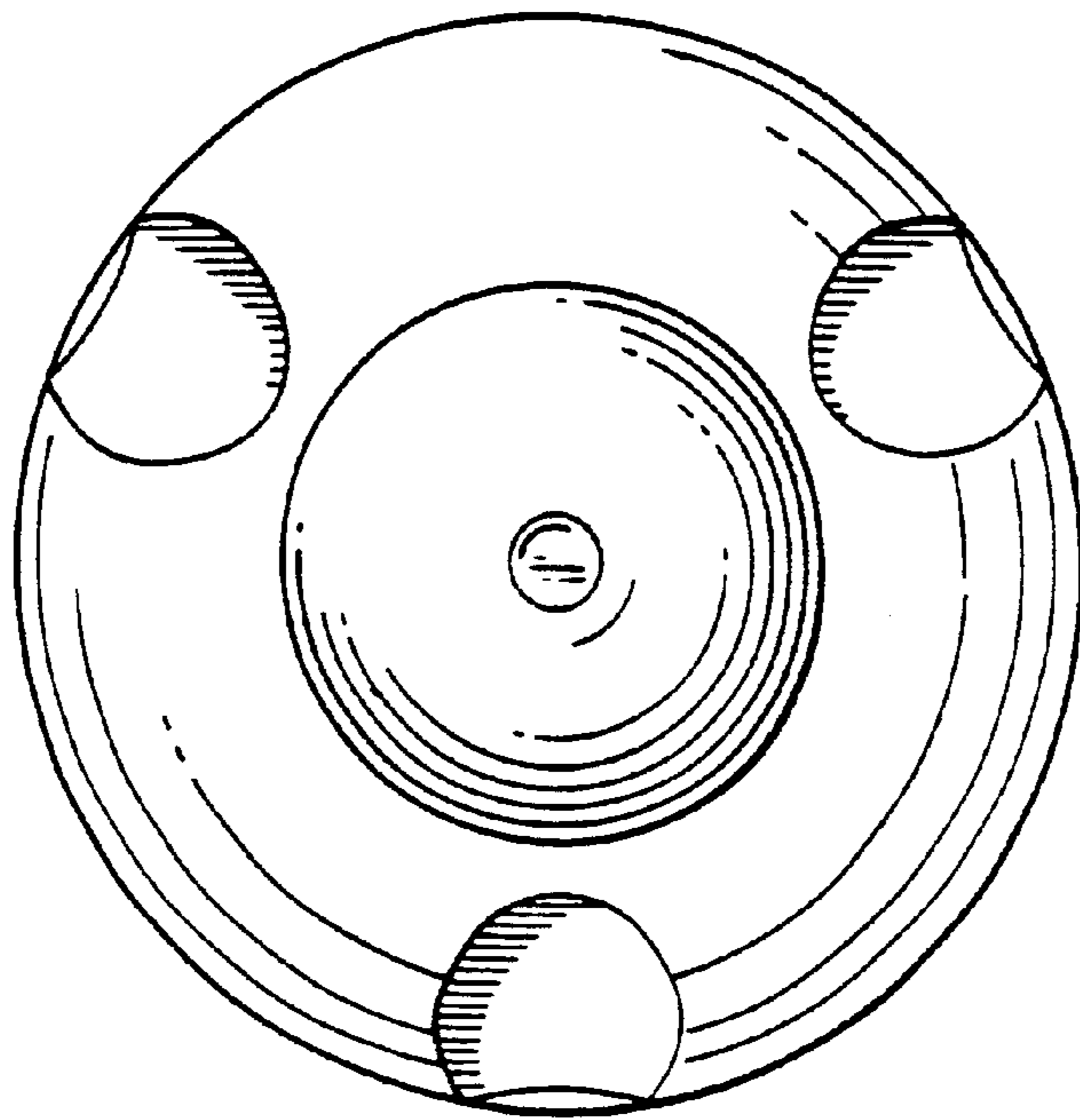


FIG. 6

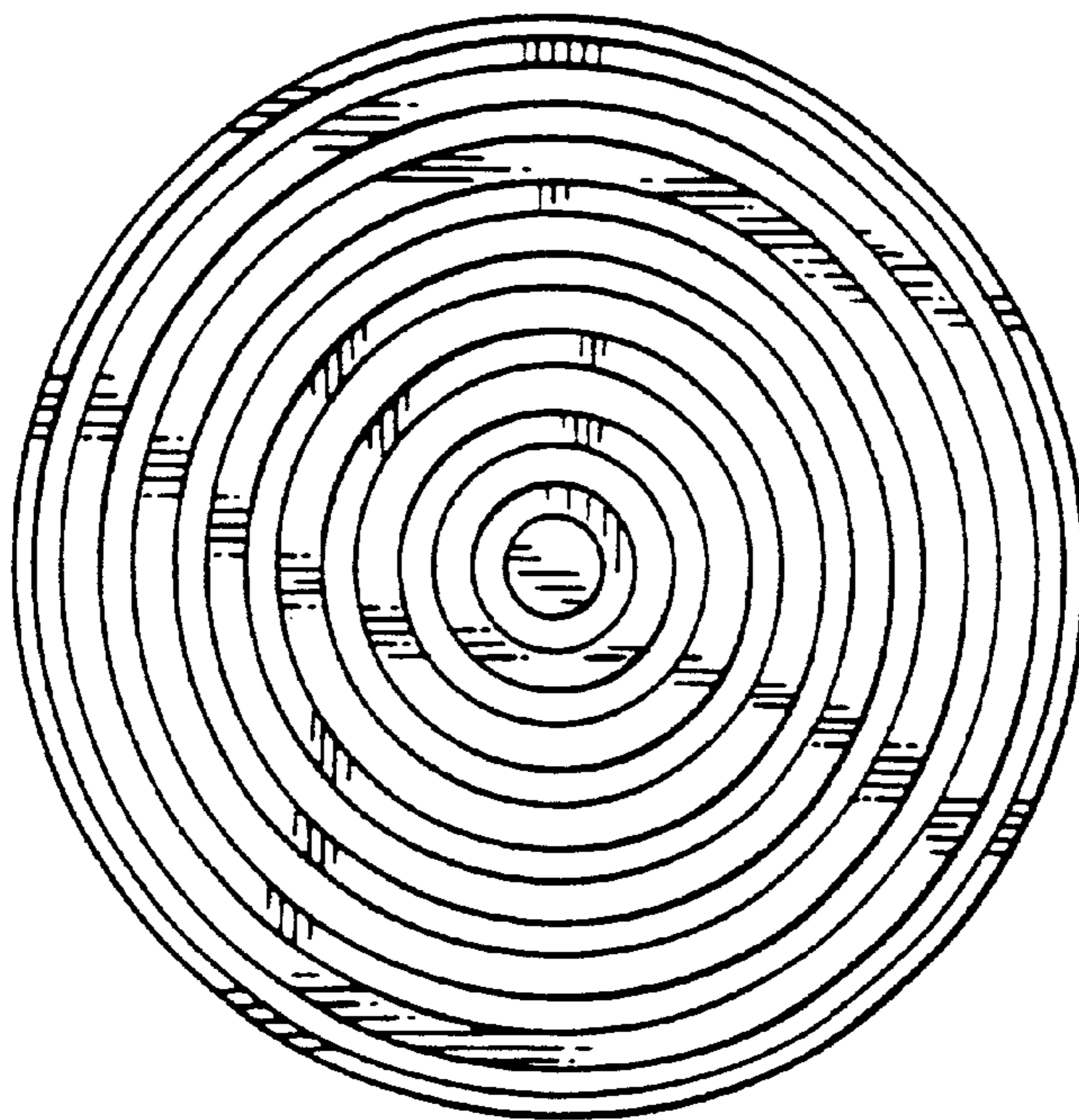


FIG. 7

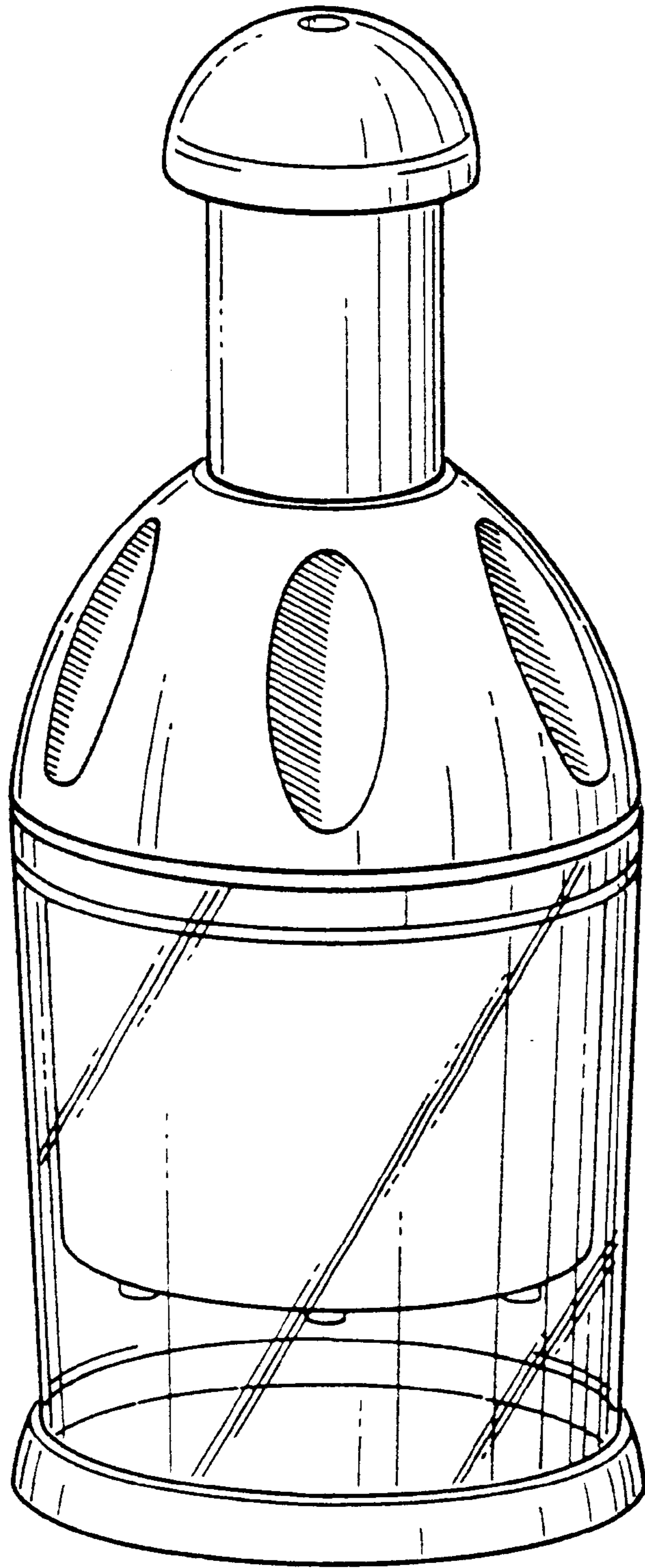


FIG. 8

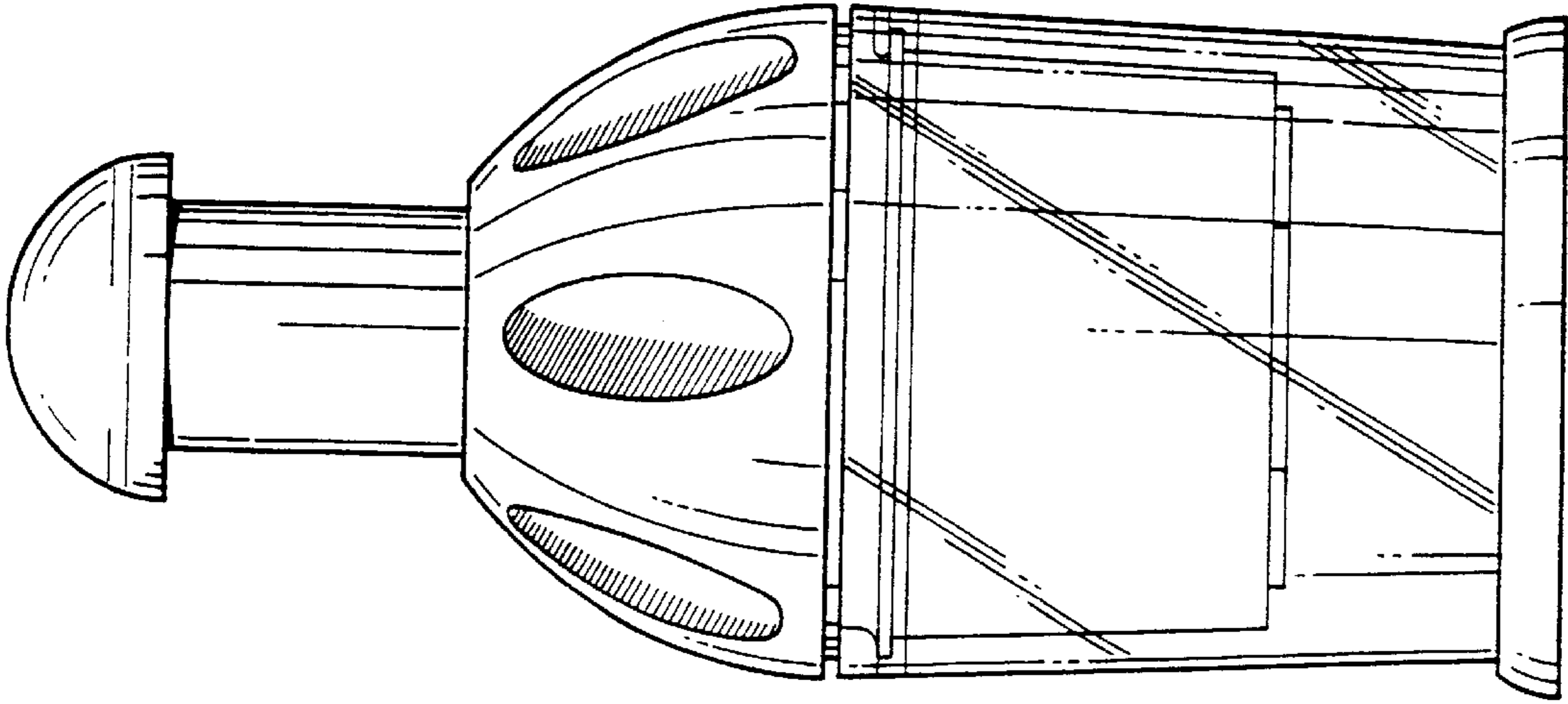


FIG. 10

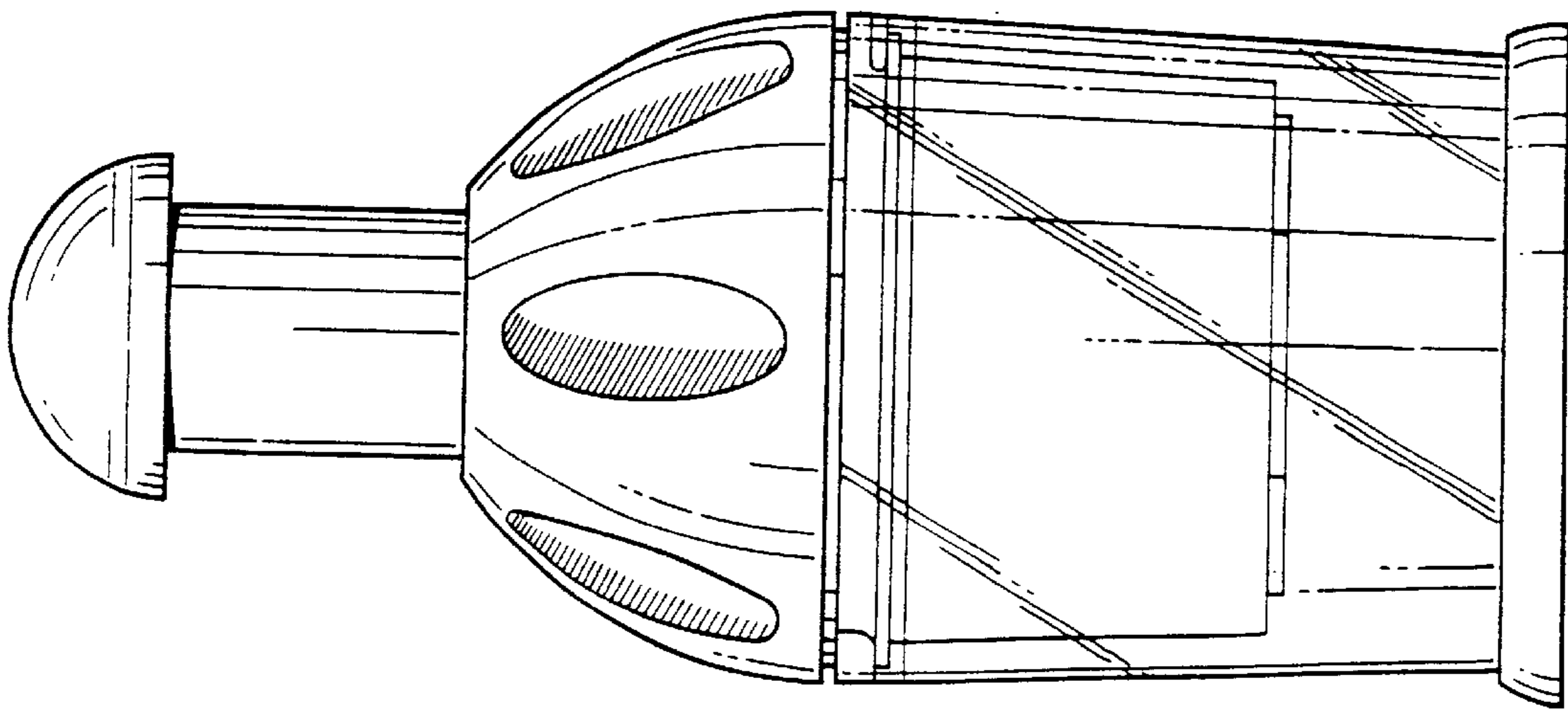


FIG. 9

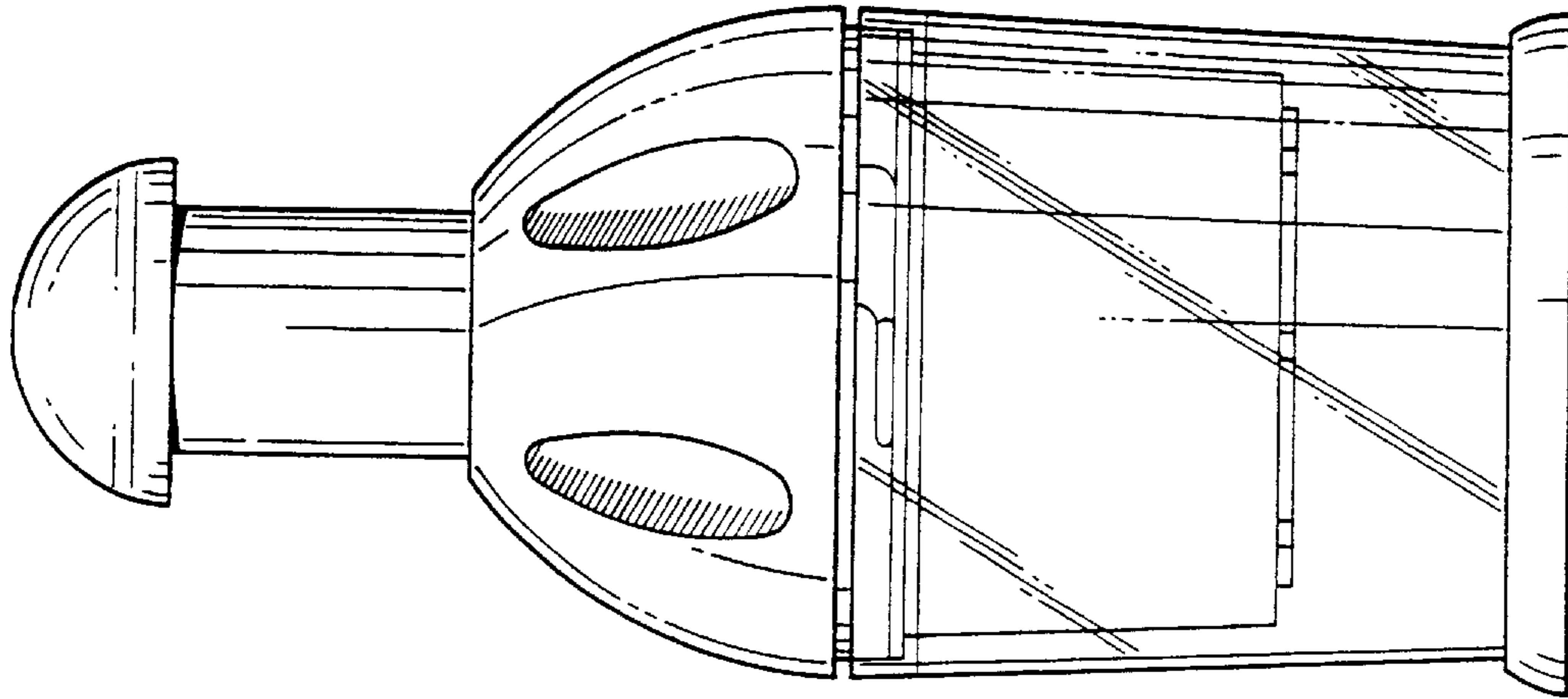


FIG. 11

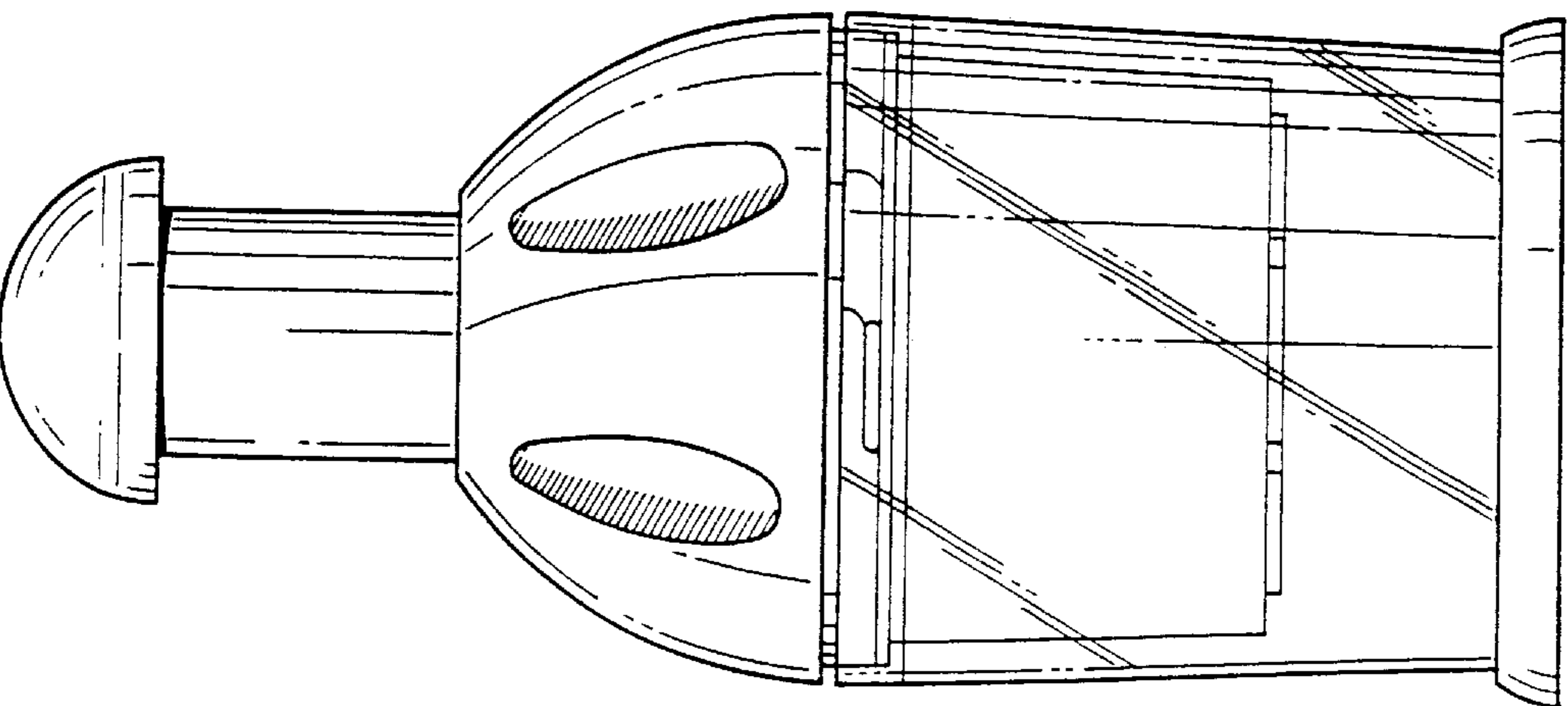


FIG. 12

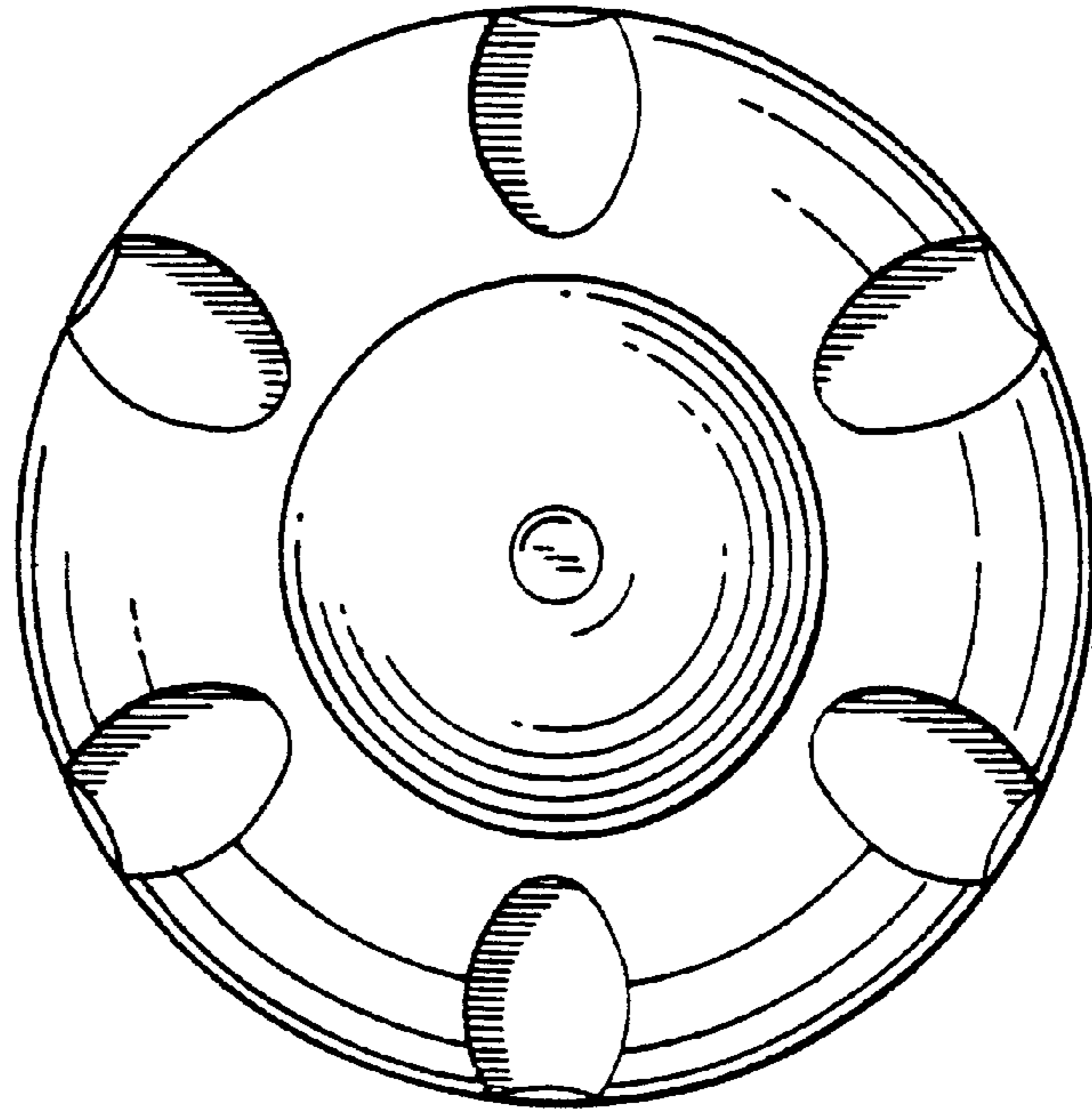


FIG. 13

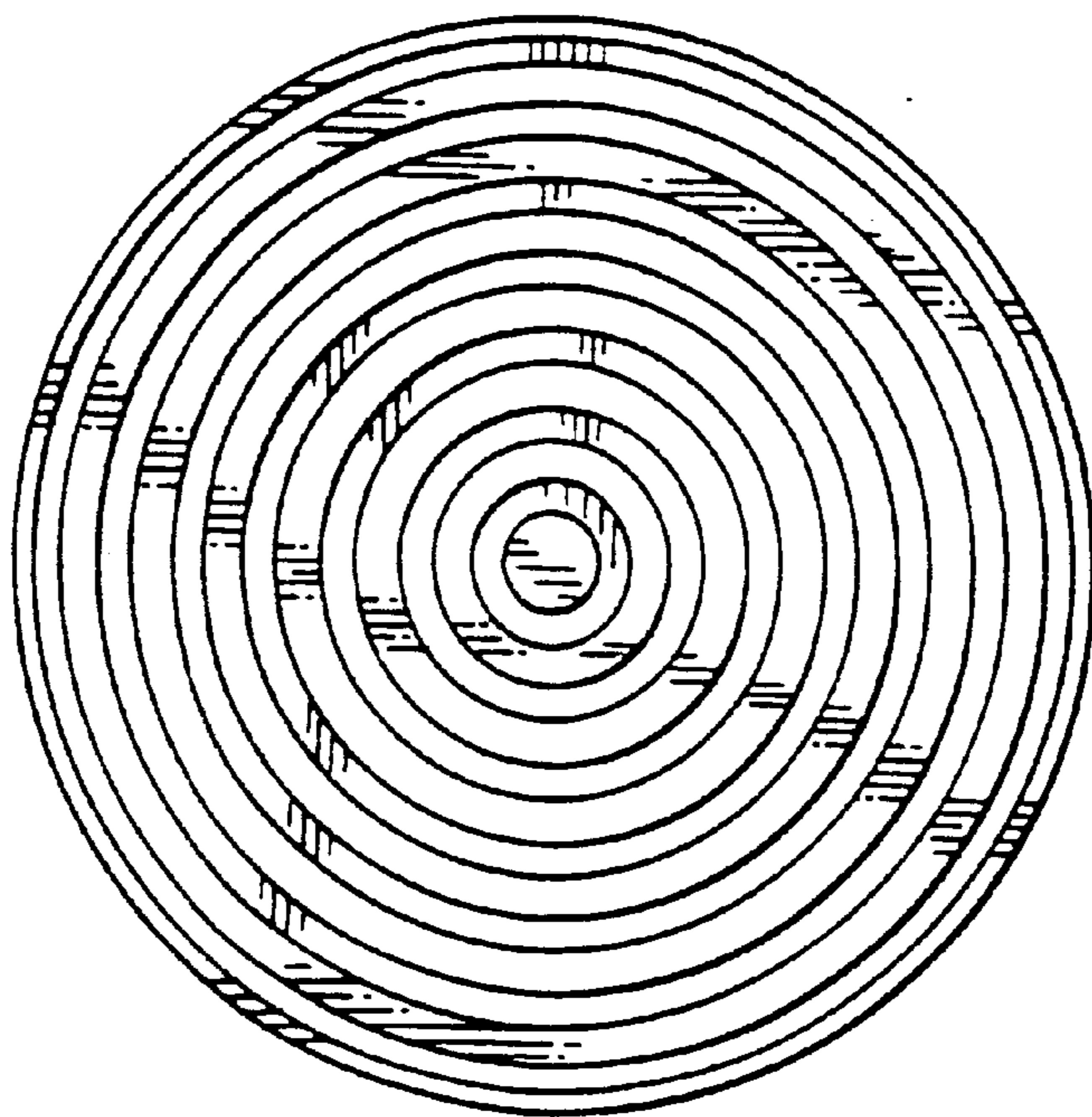


FIG. 14

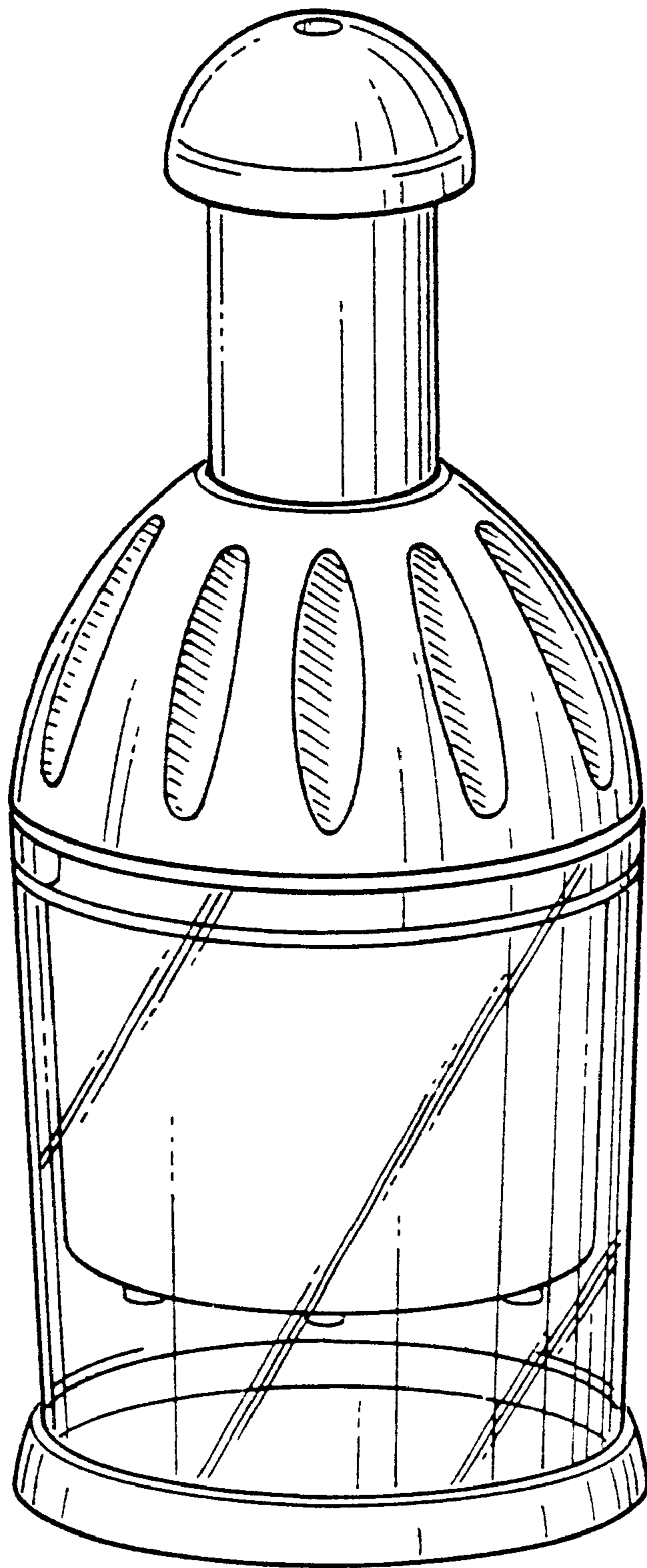


FIG. 15

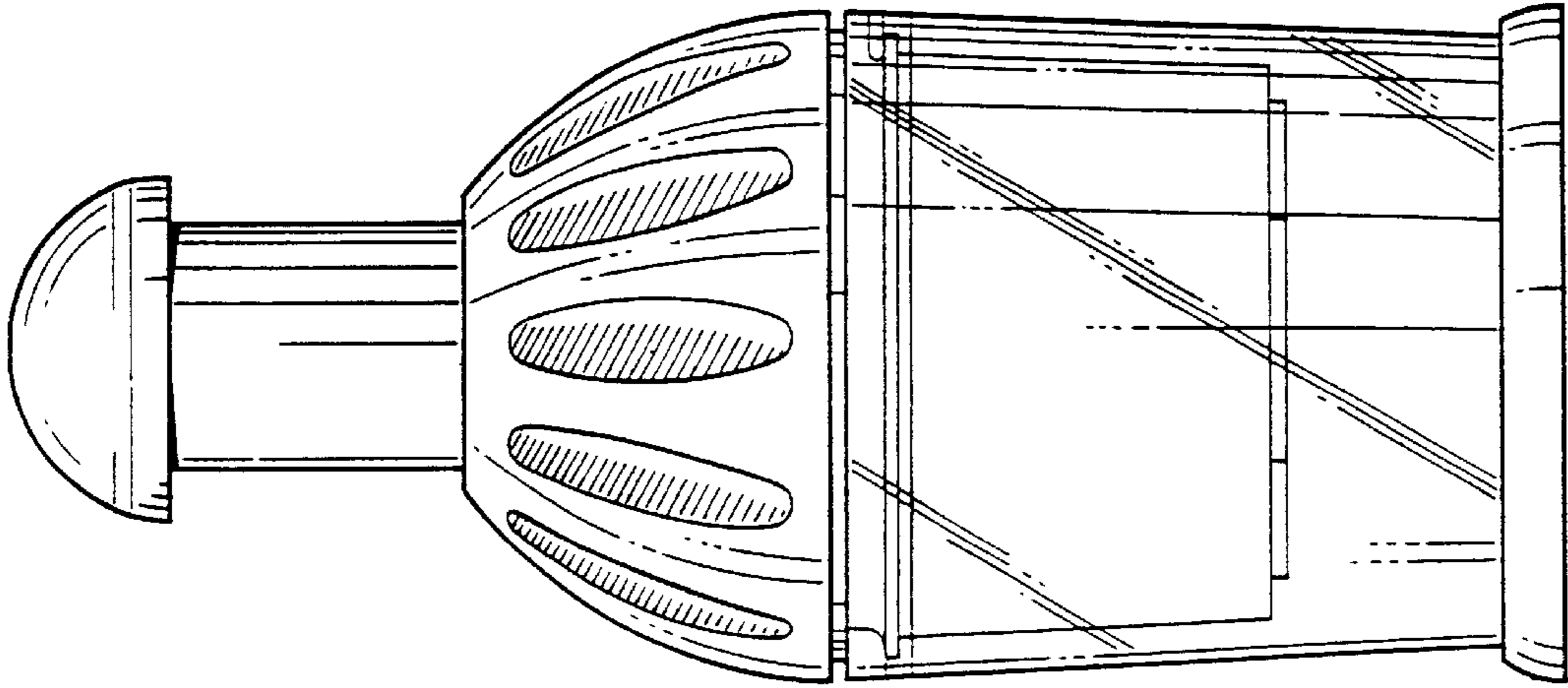


FIG. 17

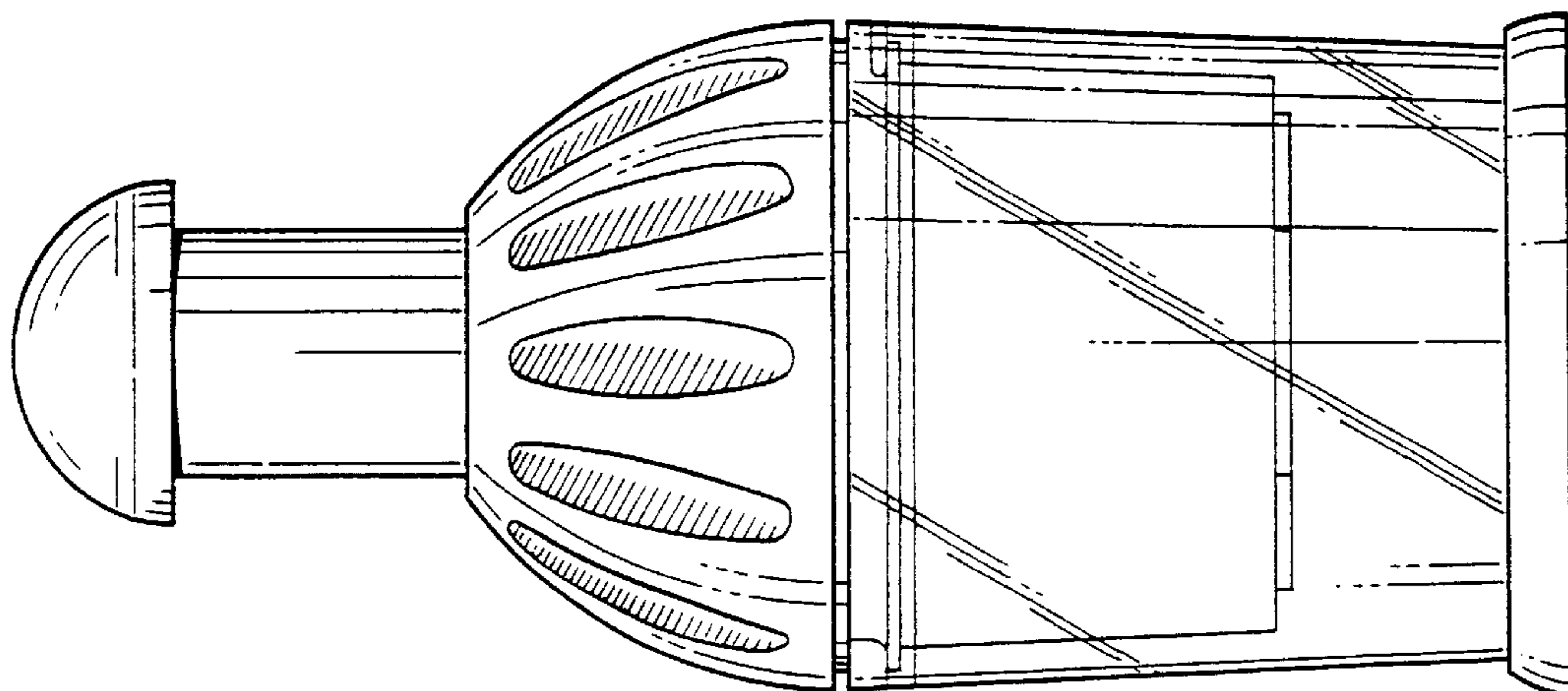


FIG. 16

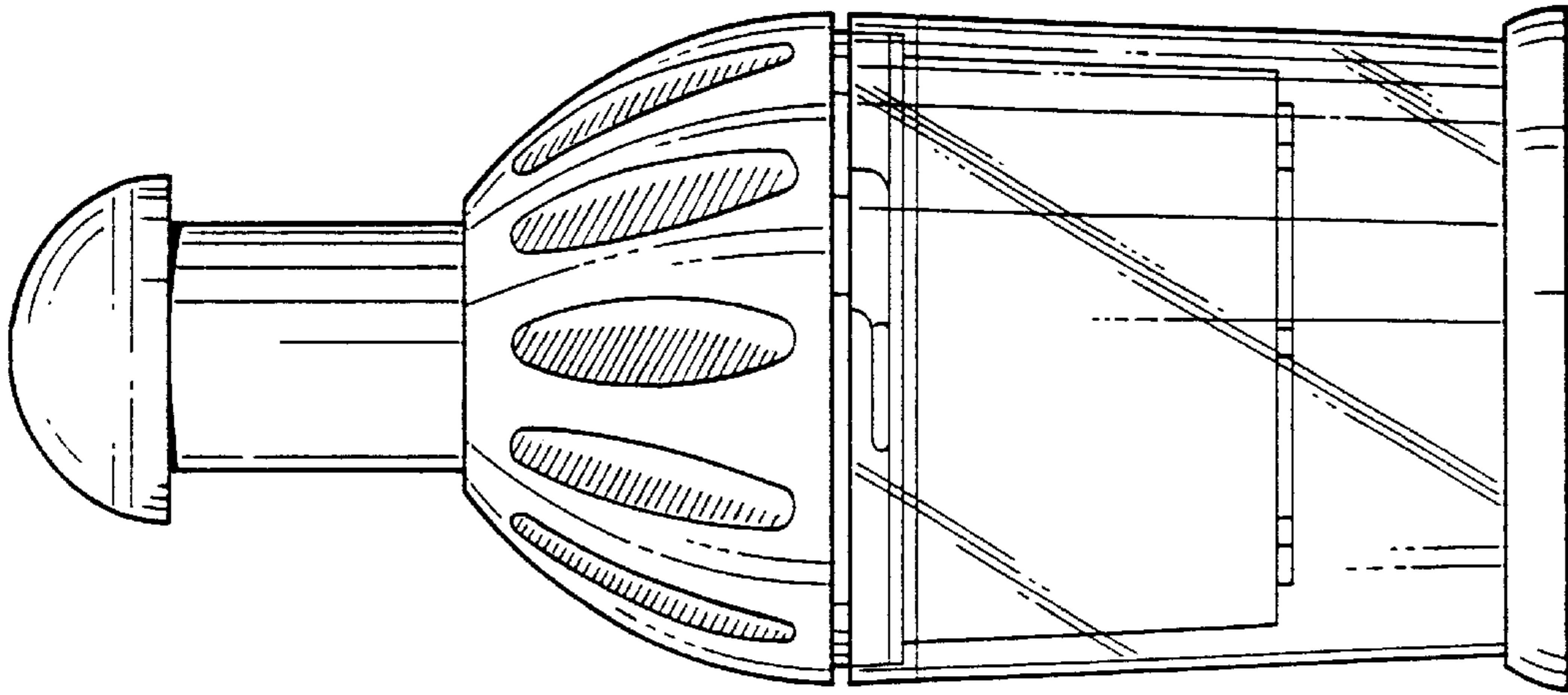


FIG. 19

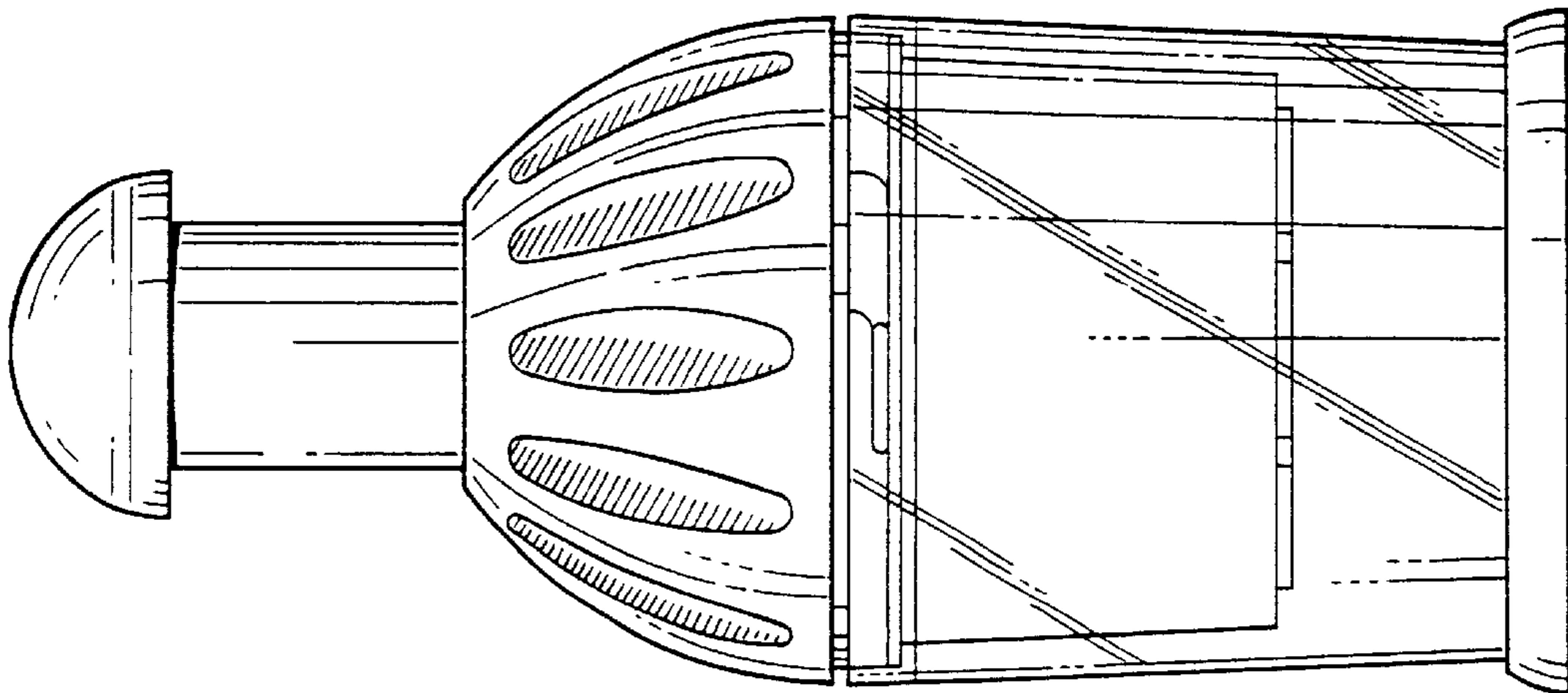


FIG. 18

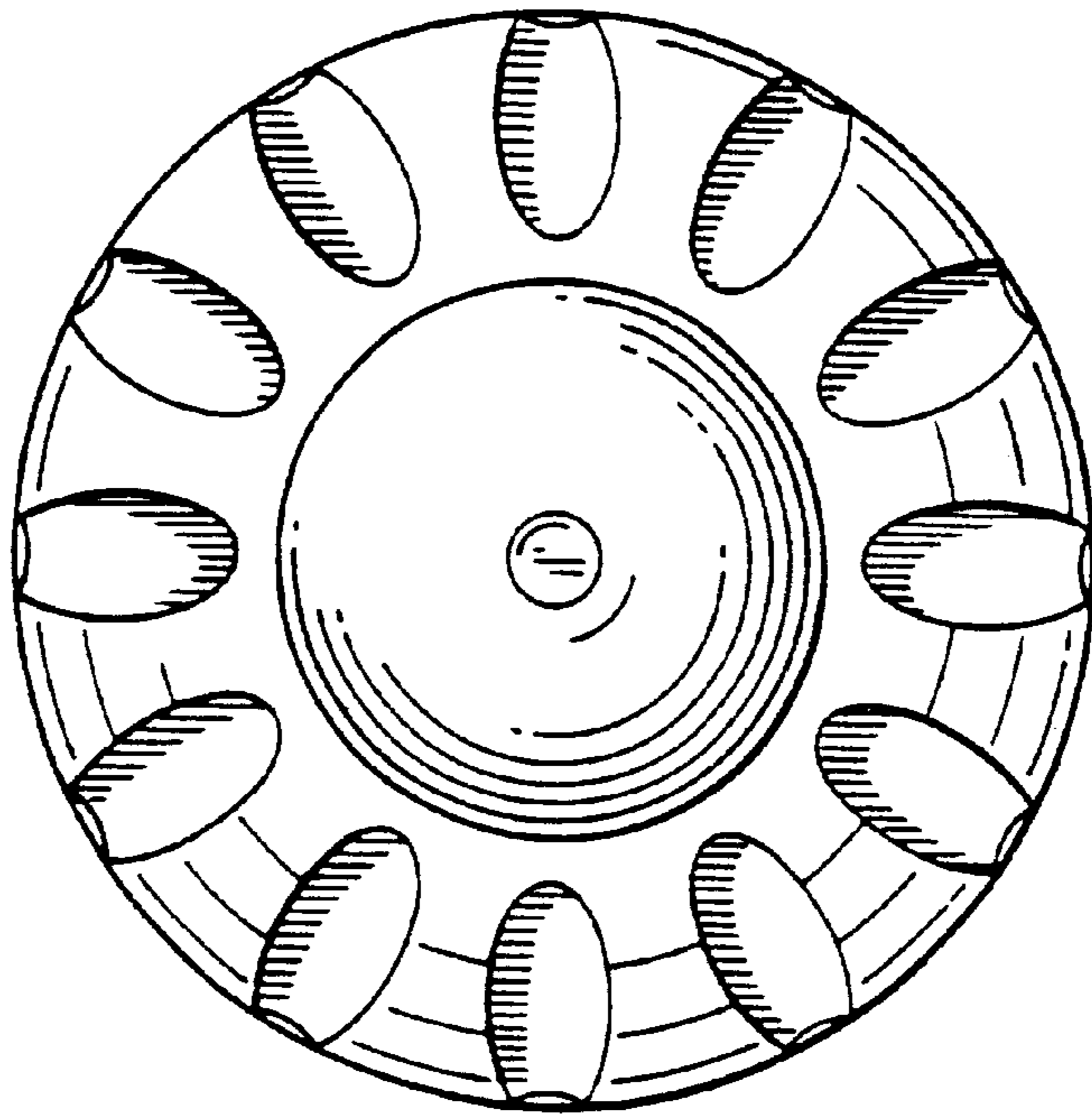


FIG. 20

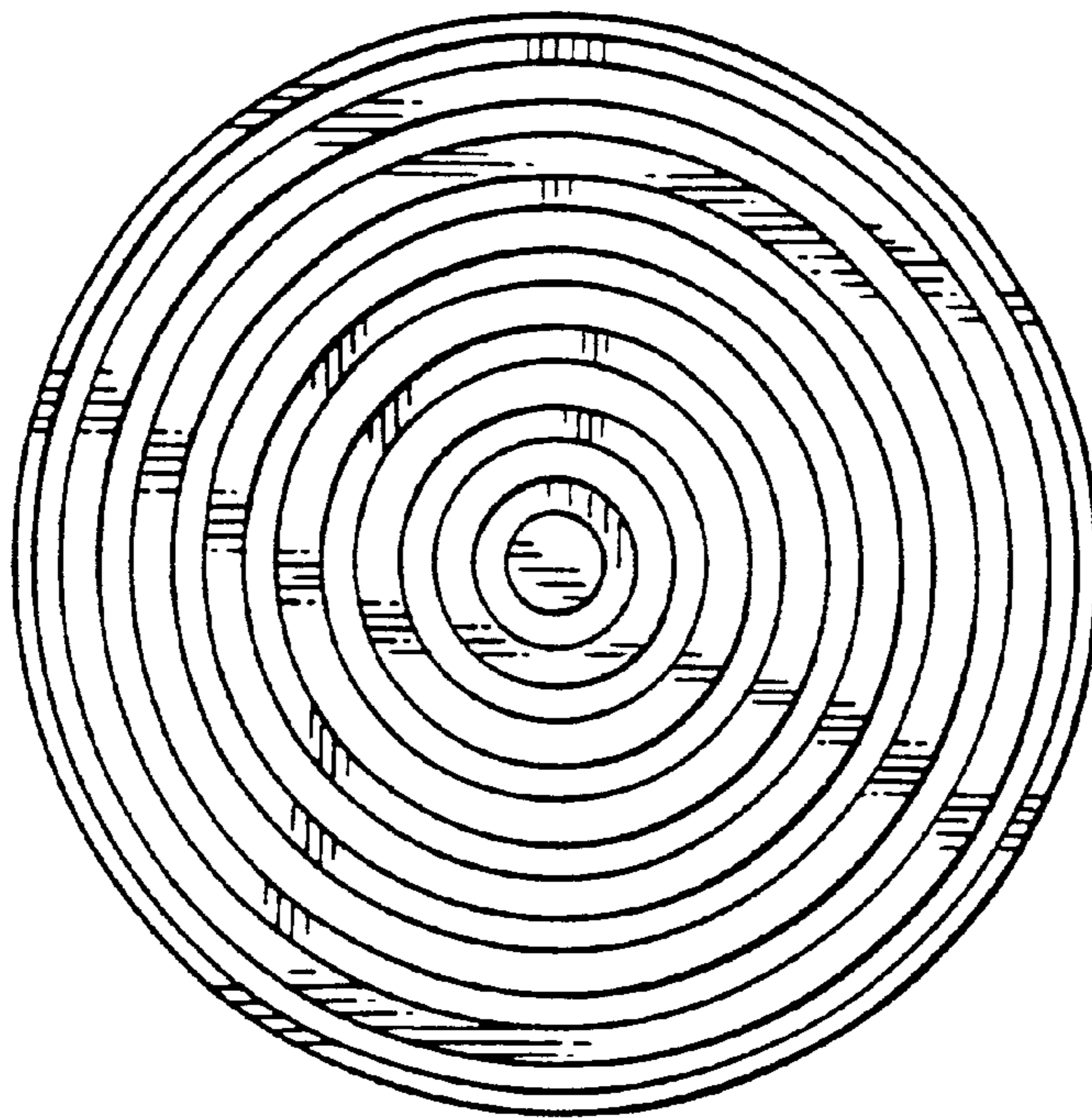


FIG. 21