



US00D481268S

(12) **United States Design Patent**  
**Hibbert et al.**

(10) **Patent No.:** **US D481,268 S**

(45) **Date of Patent:** **\*\* Oct. 28, 2003**

(54) **MEAT TENDERIZER WITH SPIKED  
ROLLER AND MARINADE-DISPENSING  
HANDLE**

(76) Inventors: **Sean F. Hibbert**, 129 Long Pine Dr.,  
Deltona, FL (US) 32725; **Beverly A.  
Hibbert**, 129 Long Pine Dr., Deltona,  
FL (US) 32725

(\*\*) Term: **14 Years**

(21) Appl. No.: **29/177,672**

(22) Filed: **Mar. 14, 2003**

(51) **LOC (7) Cl.** ..... **07-04**

(52) **U.S. Cl.** ..... **D7/682; D7/669; D7/697**

(58) **Field of Search** ..... D7/669, 682, 697;  
30/292, 306, 307, 319; 99/532-536; 452/101,  
141-146; D8/14, 105

(56) **References Cited**

**U.S. PATENT DOCUMENTS**

344,046 A	6/1886	Holmes	
1,373,843 A	4/1921	Sundberg	
3,138,823 A	* 6/1964	Langner	452/145
3,713,378 A	1/1973	West et al.	
3,772,737 A	11/1973	Fleiss	
D253,155 S	* 10/1979	Jurida	D7/682
4,199,841 A	4/1980	Jaccard	
4,254,700 A	3/1981	Fleming	
4,463,476 A	8/1984	Jaccard	

4,660,252 A	4/1987	Blackburn et al.	
4,681,000 A	7/1987	Wolters	
D344,213 S	2/1994	Johns	
5,463,942 A	11/1995	Hupf et al.	
D365,971 S	1/1996	Brockmann	
D401,815 S	* 12/1998	Filipovic	D7/682
D414,383 S	* 9/1999	Fitzgibbons et al.	D7/669

\* cited by examiner

*Primary Examiner*—Terry A. Wallace  
(74) *Attorney, Agent, or Firm*—Donald R. Schoonover

(57) **CLAIM**

We claim the ornamental design for a meat tenderizer with spiked roller and marinade-dispensing handle, as shown and described.

**DESCRIPTION**

FIG. 1 is a perspective view of a meat tenderizer with spiked roller and marinade-dipensing handle showing our new design in use; the broken lines depict environmental structure for illustrative purposes only and form no part of the claimed design;

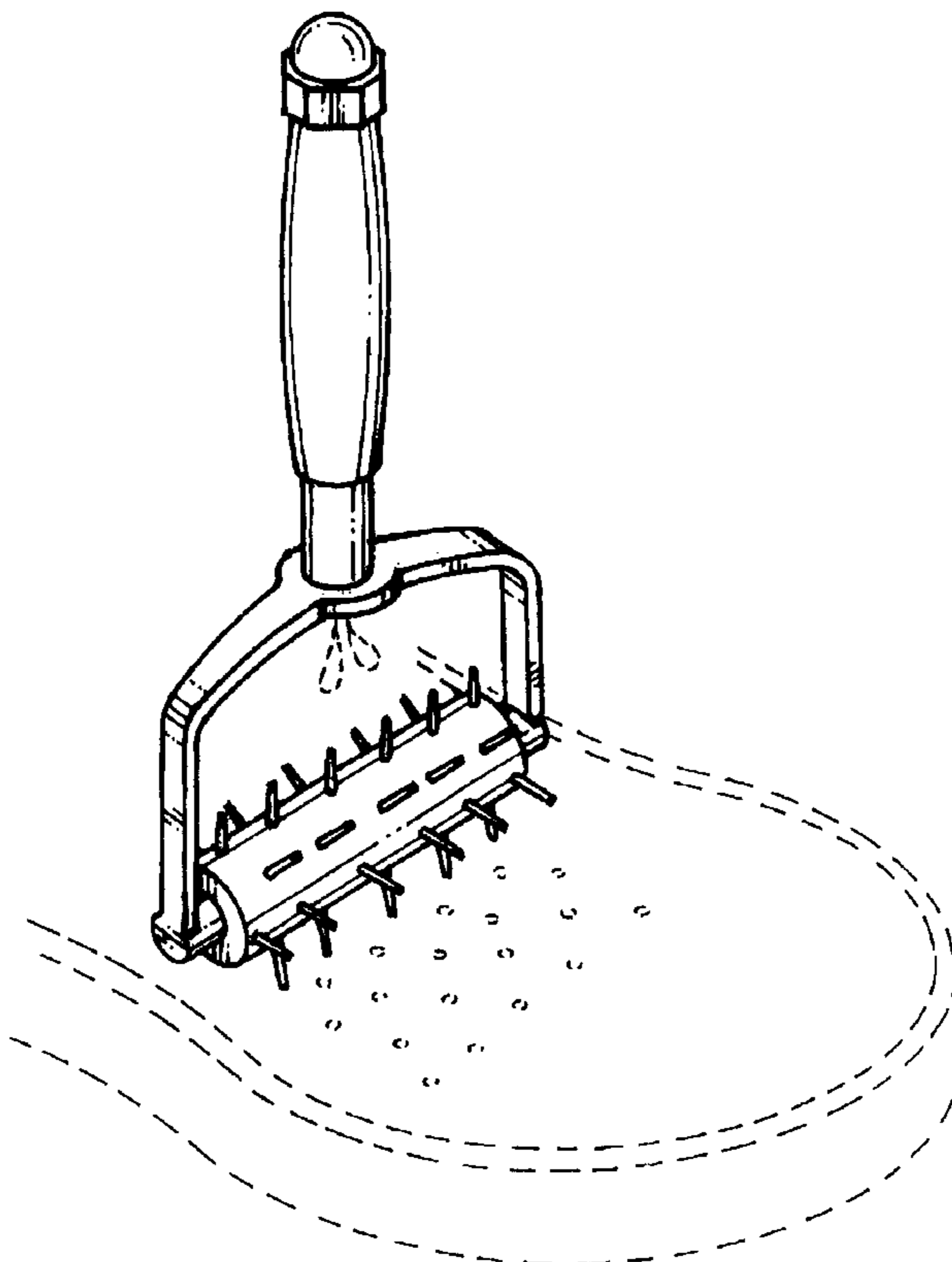
FIG. 2 is a front elevational view thereof, the rear elevational view being identical thereto;

FIG. 3 is a side elevational view thereof, the elevational view of the opposite side being identical thereto;

FIG. 4 is a top plan view thereof; and,

FIG. 5 is the bottom plan view thereof.

**1 Claim, 3 Drawing Sheets**



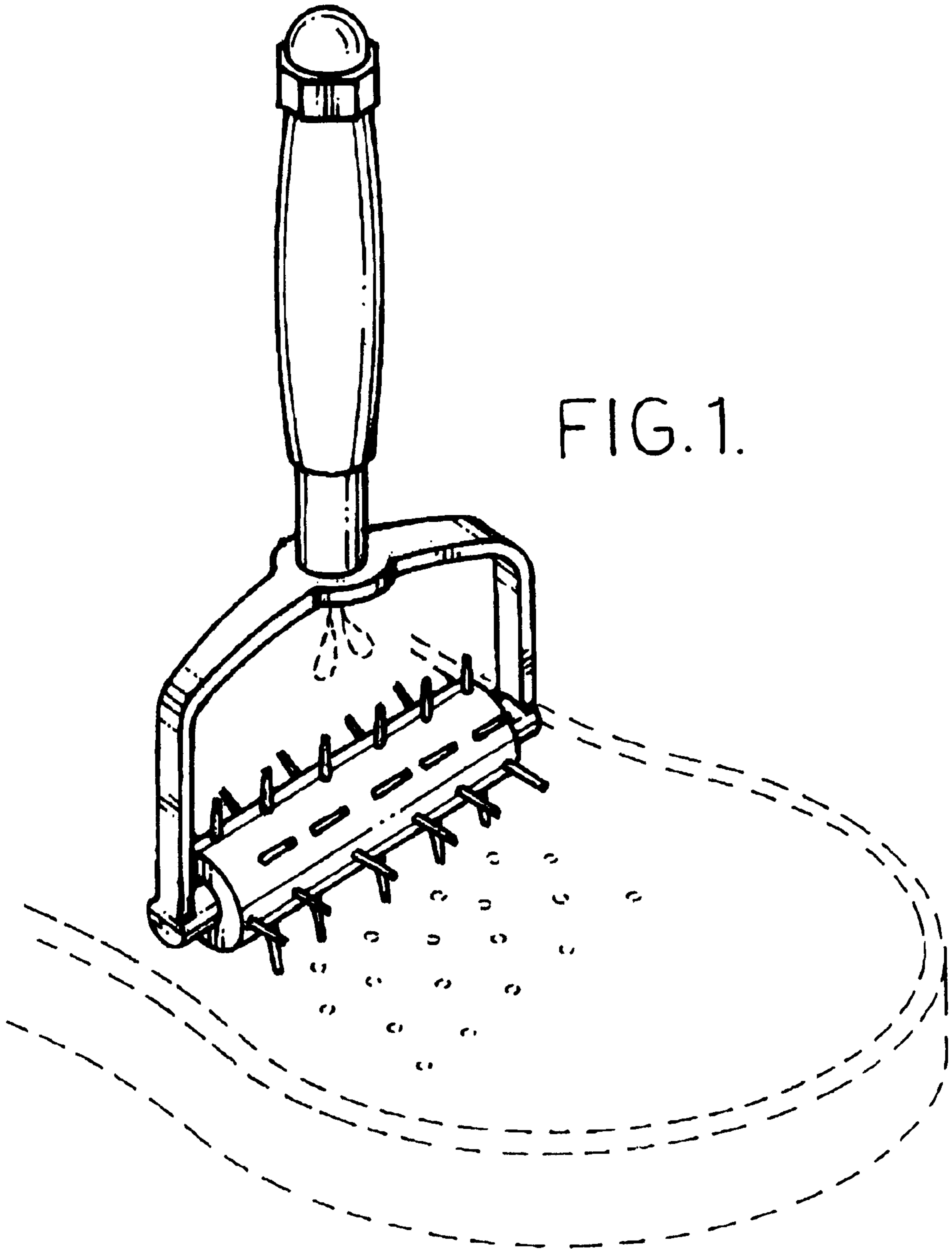


FIG. 1.

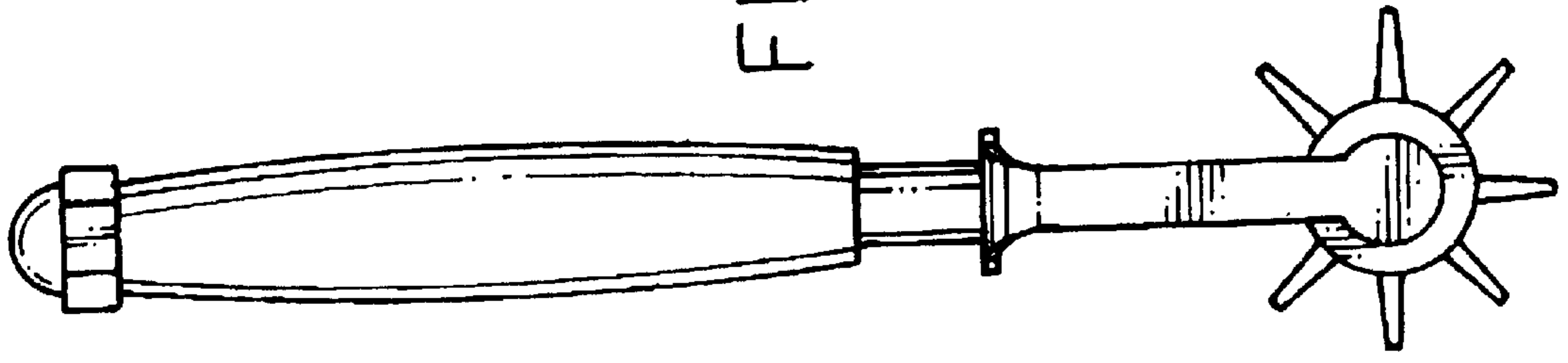


FIG. 3.

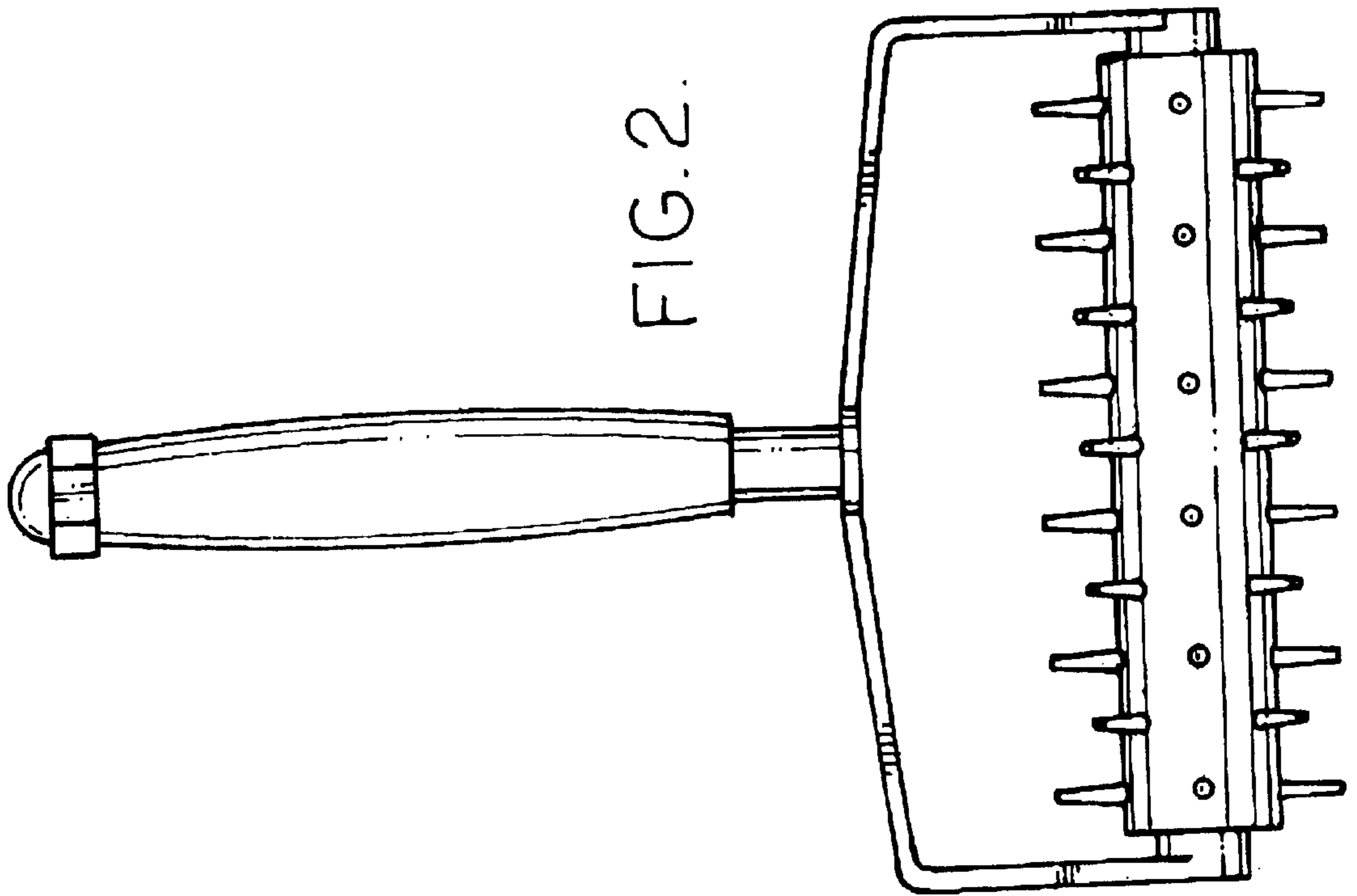


FIG. 2.

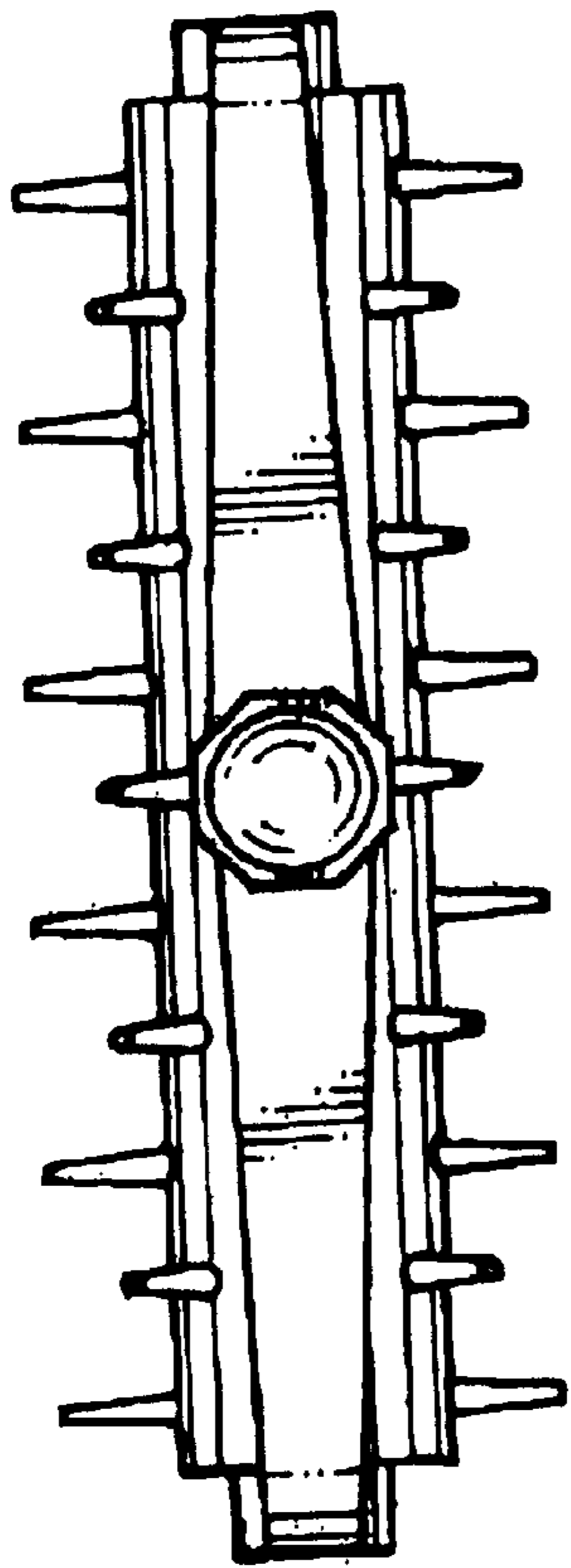


FIG. 4.

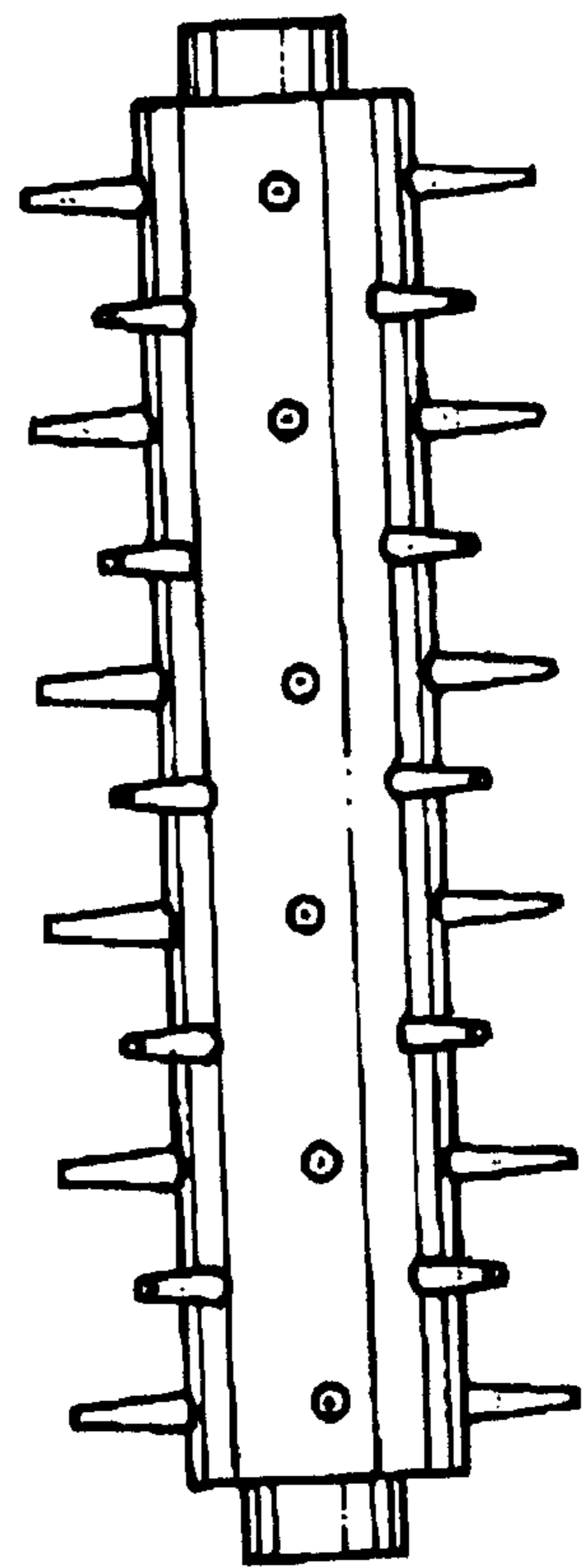


FIG. 5.