



US00D481267S

(12) **United States Design Patent**
Yamane

(10) **Patent No.:** **US D481,267 S**

(45) **Date of Patent:** **** Oct. 28, 2003**

(54) **CLOTH BOTTLE COVER WITH A SANTA CLAUS DESIGN**

JP 14 1140786 S 3/2002

* cited by examiner

(75) Inventor: **Yusaku Yamane**, Kobe (JP)

Primary Examiner—Terry A. Wallace

(73) Assignee: **Felissimo Corp.**, Kobe (JP)

(74) *Attorney, Agent, or Firm*—Hughes Hubbard & Reed LLP; Ronald Abramson; Sheryl L. Sandridge

(**) Term: **14 Years**

(57) **CLAIM**

(21) Appl. No.: **29/157,382**

I claim the ornamental design for a cloth bottle cover with a Santa Claus design, as shown and described.

(22) Filed: **Mar. 15, 2002**

DESCRIPTION

(51) **LOC (7) Cl.** **07-06**

(52) **U.S. Cl.** **D7/625; D2/831**

(58) **Field of Search** D7/624, 625; D9/444; D2/828, 830–832, 839, 741, 719, 725, 745, 746; 428/7, 35.7, 35.8, 36.1, 36.5

FIG. 1 shows a front isometric view of one configuration of the Santa Claus cloth bottle cover according to the invention. FIG. 2 is a front view of the Santa Claus cloth bottle cover according to the invention.

(56) **References Cited**

FIG. 3 is a back view of a Santa Claus cloth bottle cover according to the invention.

U.S. PATENT DOCUMENTS

FIG. 4 is a left side view of a Santa Claus cloth bottle cover according to the invention.

D261,070 S * 10/1981 Pettibone D2/831
D301,797 S * 6/1989 Lariviere D2/831
4,867,214 A * 9/1989 Fuller 428/35.8

FIG. 5 is a top view of a Santa Claus cloth bottle cover according to the invention; and,

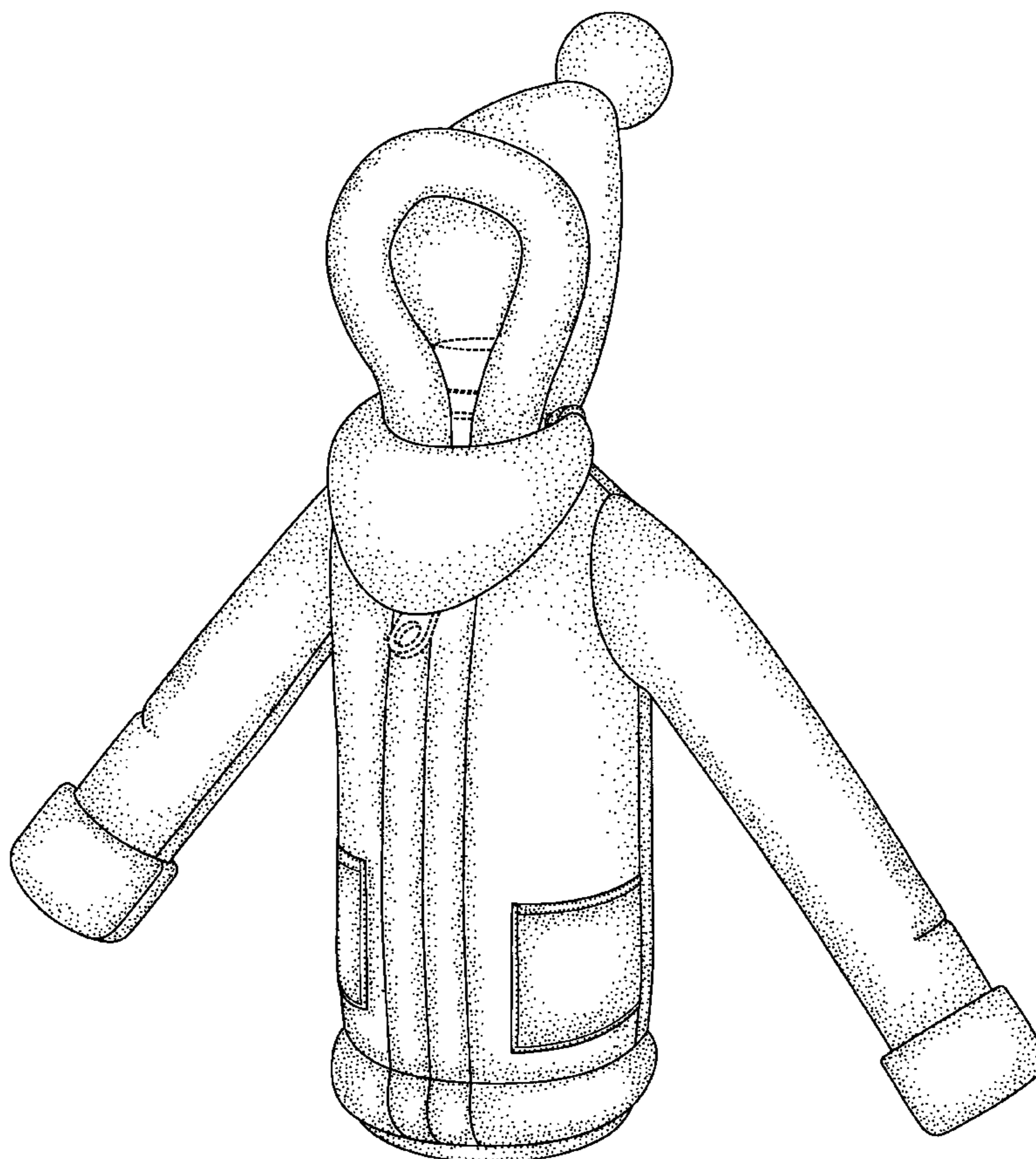
FOREIGN PATENT DOCUMENTS

FIG. 6 is a bottom view of a Santa Claus cloth bottle cover according to the invention.

JP 13 1131830 S 11/2001
JP 13 1131995 S 11/2001
JP 13 1131996 S 11/2001
JP 13 1131997 S 11/2001

The broken lines are for illustrative purposes only and form no part of the claimed design.

1 Claim, 5 Drawing Sheets



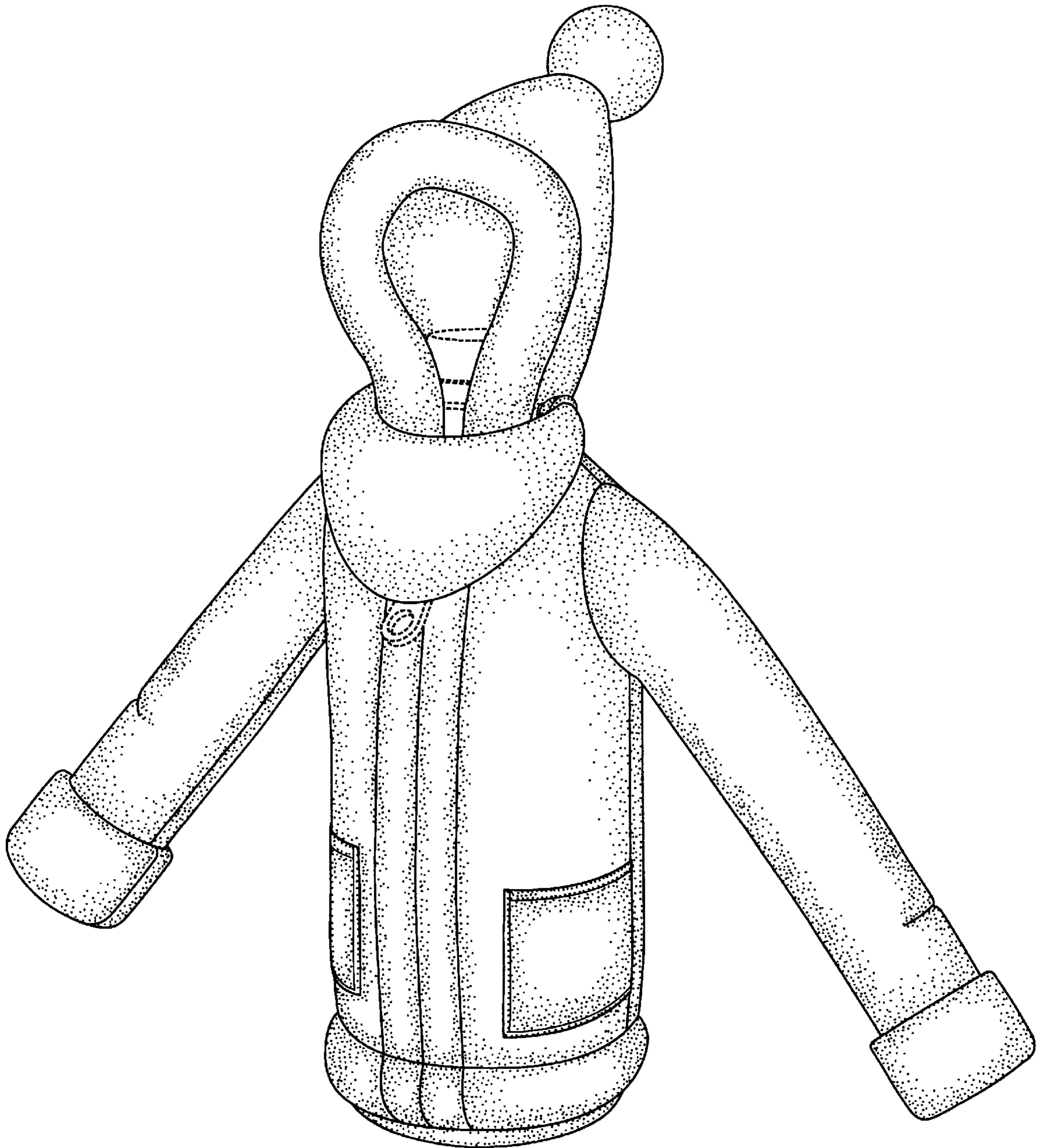


FIG. 1

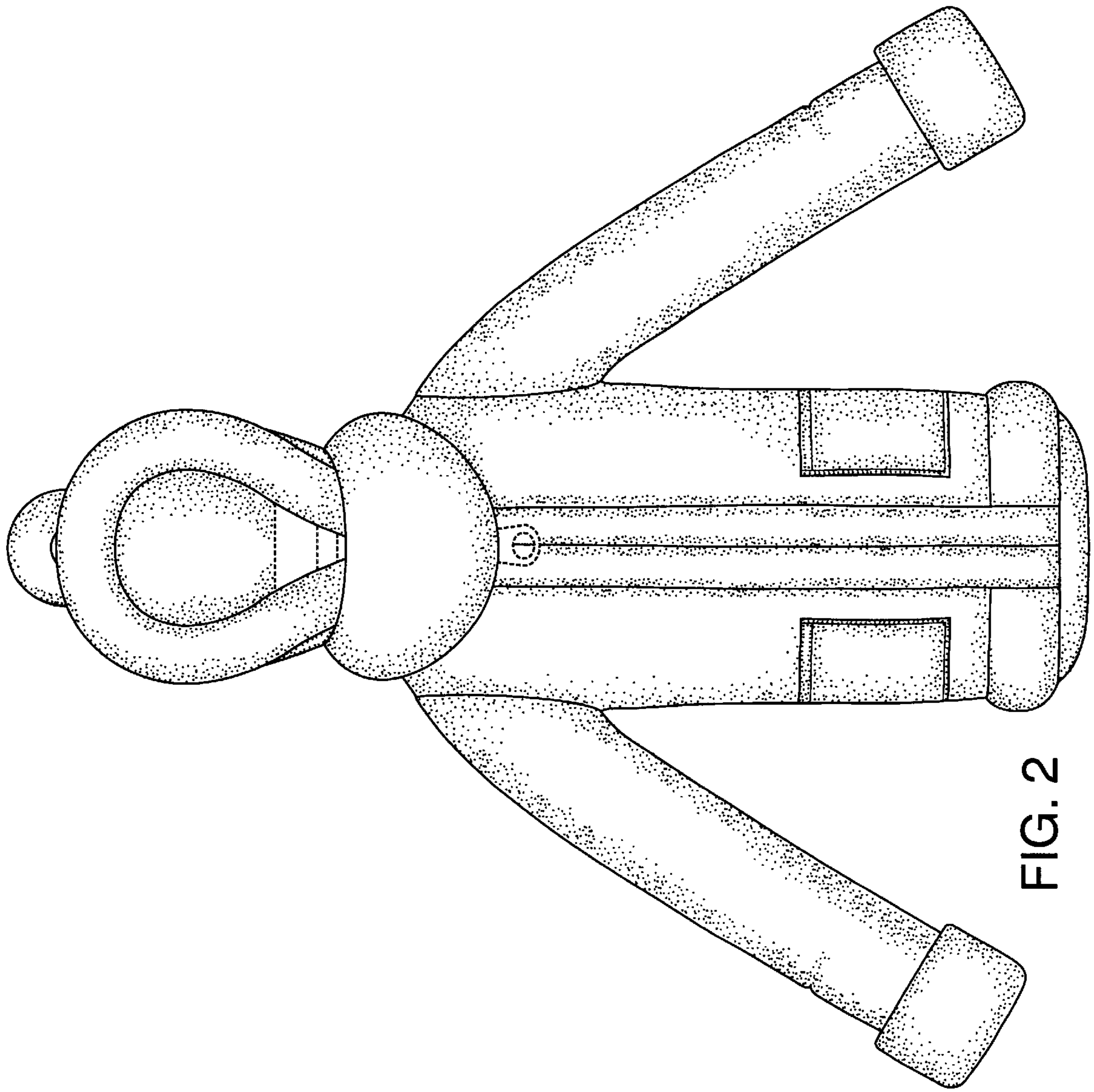


FIG. 2

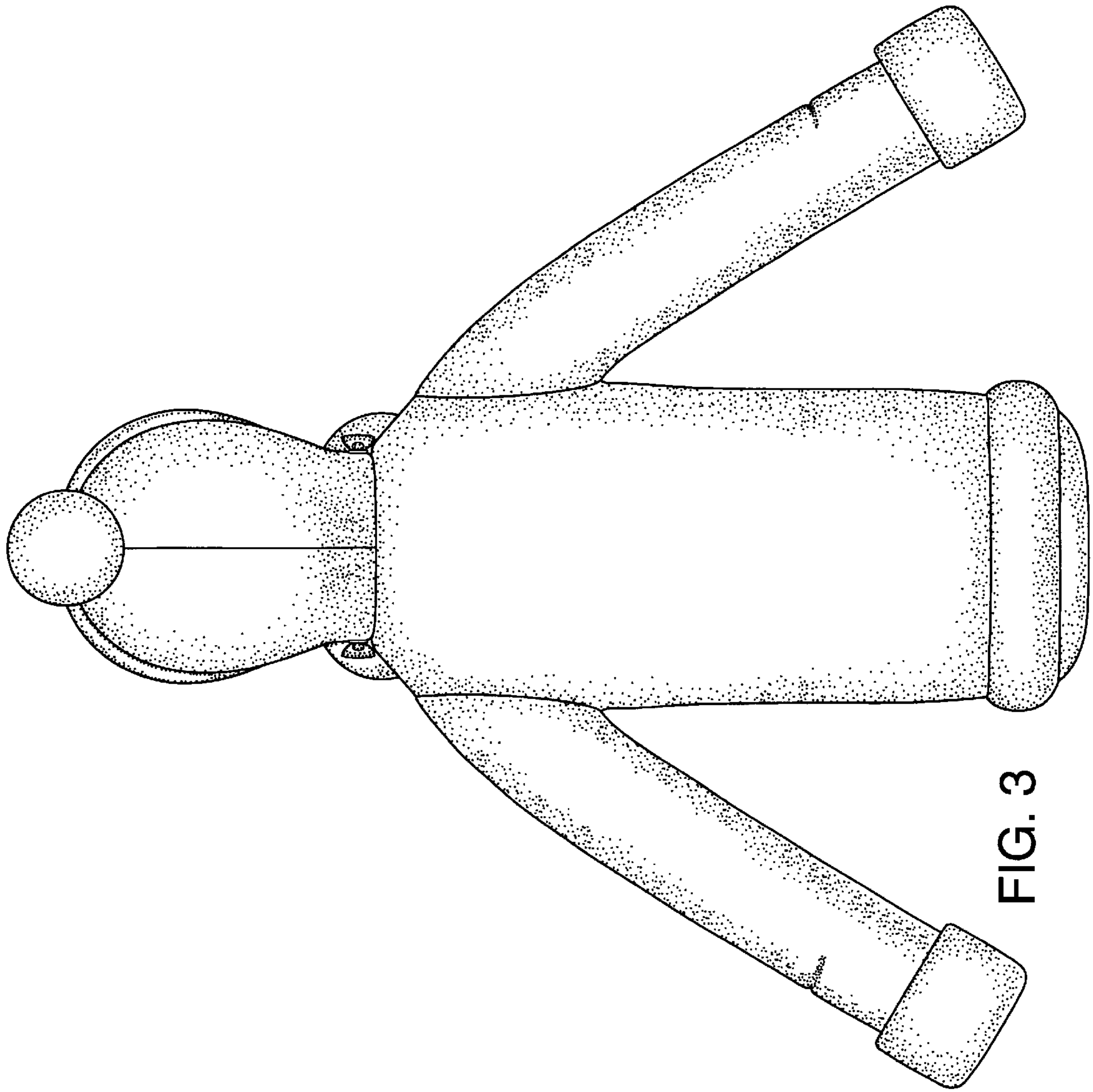


FIG. 3

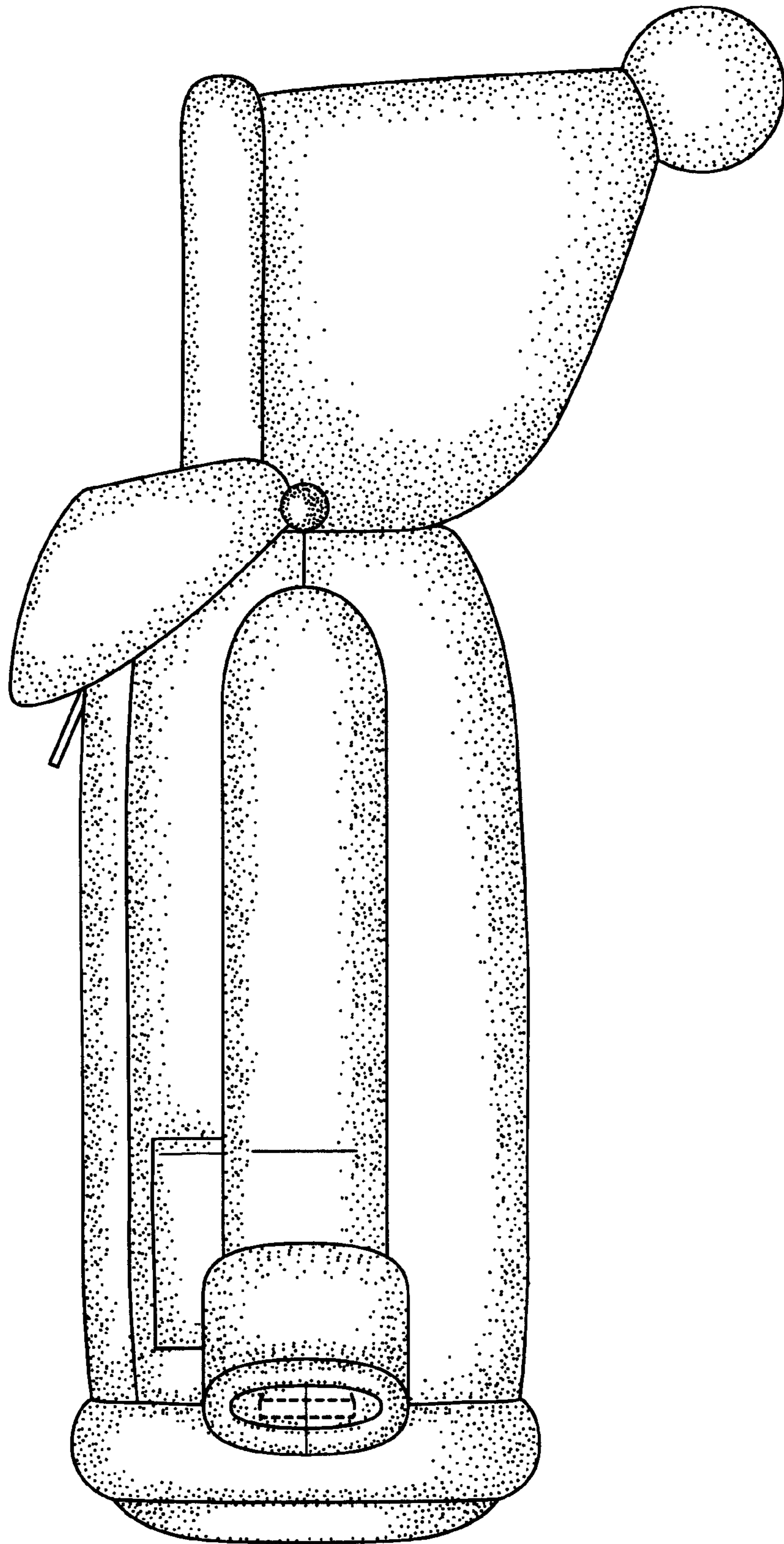


FIG. 4

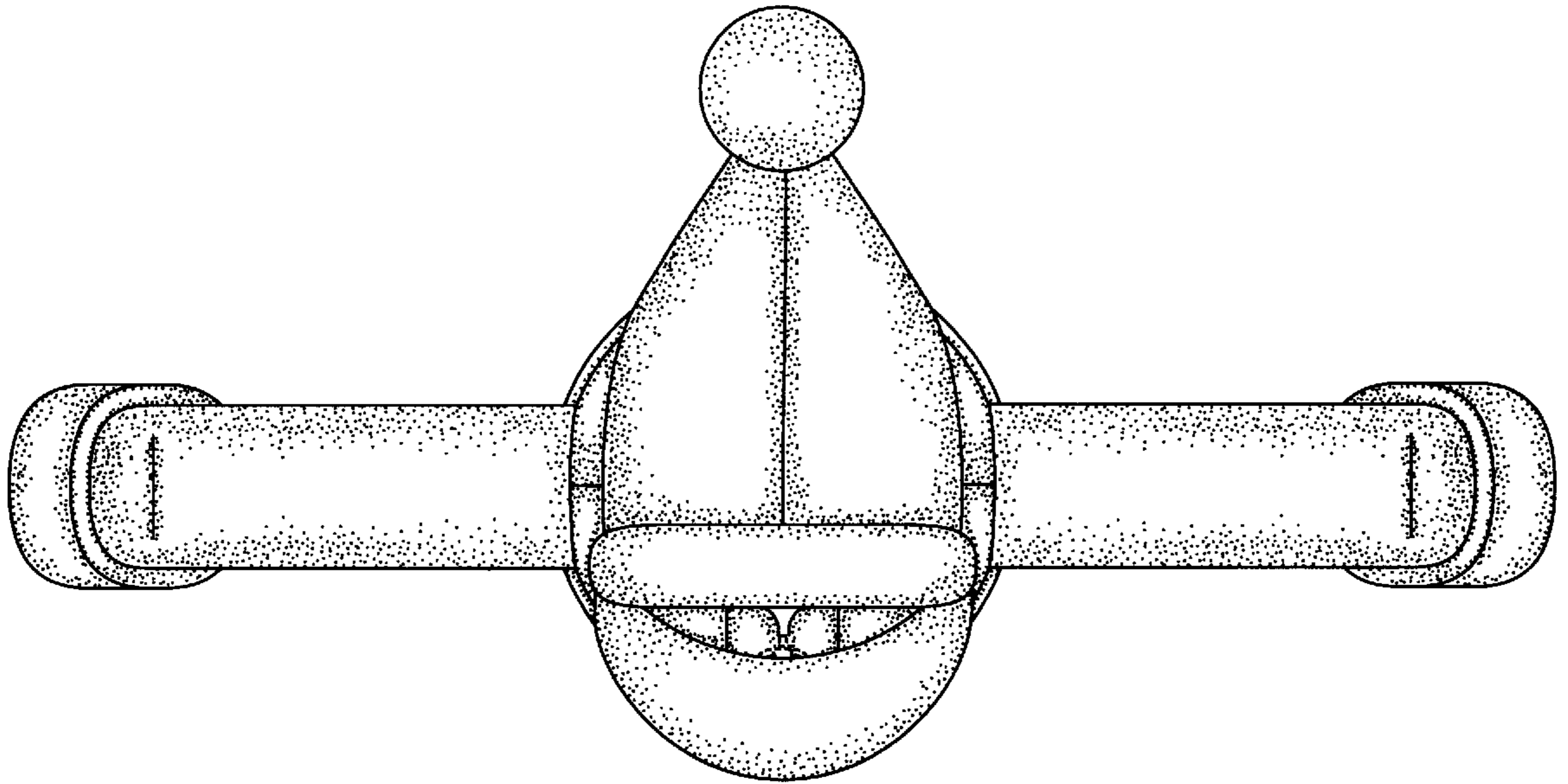


FIG. 5

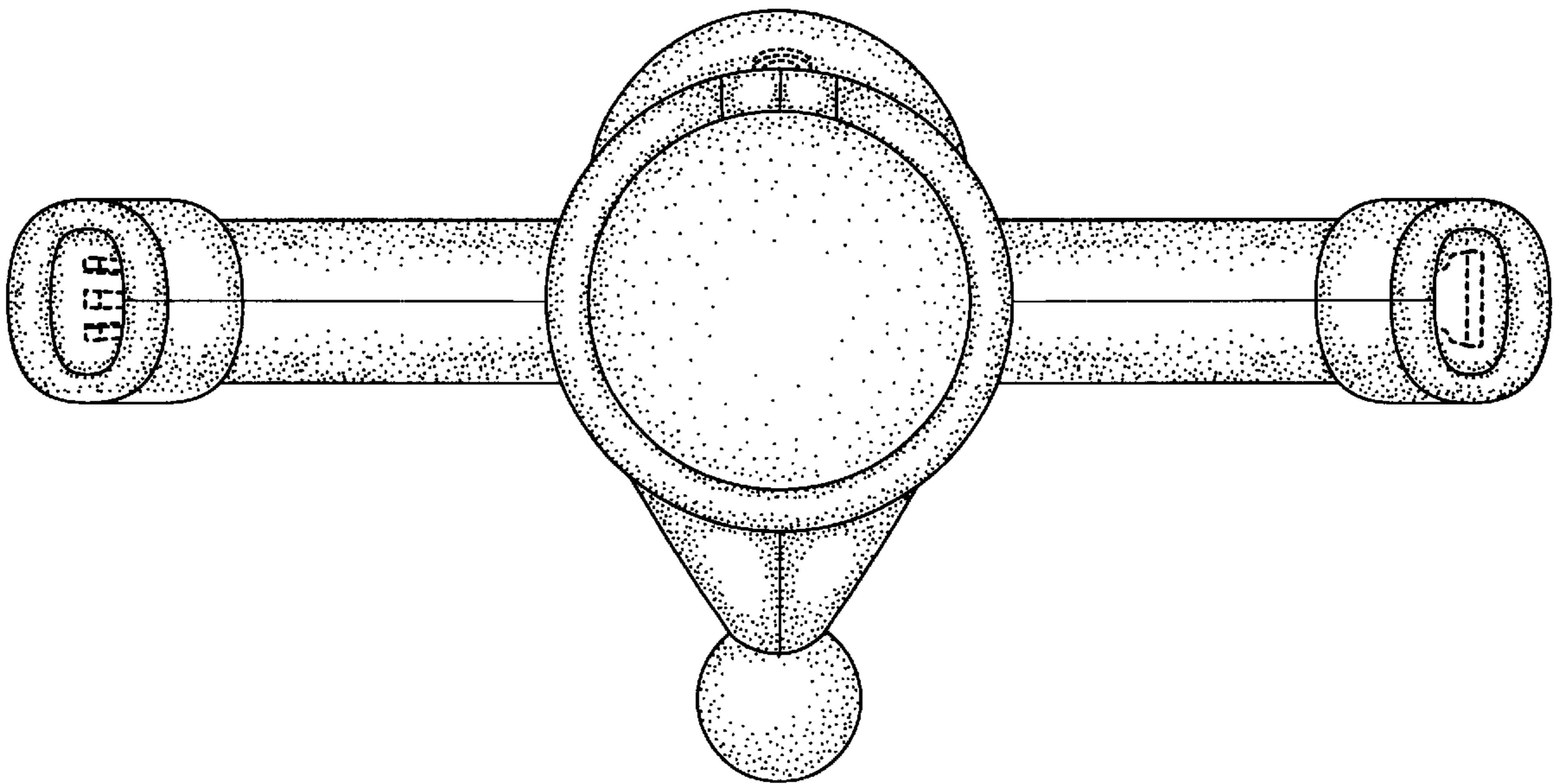


FIG. 6