



US00D481266S

(12) **United States Design Patent**  
**Schilhab**

(10) **Patent No.:** **US D481,266 S**

(45) **Date of Patent:** **\*\* Oct. 28, 2003**

(54) **PIGGY BACK-TYPE BASKET FOR MOUNTING ON COOLER**

(76) **Inventor:** **Patrick D. Schilhab**, 432 Summit Ridge Dr. N., Point Venture, TX (US) 78645

(\*\*) **Term:** **14 Years**

(21) **Appl. No.:** **29/173,063**

(22) **Filed:** **Dec. 23, 2002**

(51) **LOC (7) Cl.** ..... **07-01**

(52) **U.S. Cl.** ..... **D7/605; D3/312**

(58) **Field of Search** ..... D7/605-608; D3/304, D3/307, 312; 62/457.1-457.7, 371, 372, 331, 258; 190/11; 206/505, 511, 517; 220/4.21, 212.5, 772, 592.12-592.16, 592.25; 280/30; 312/241

(56) **References Cited**

**U.S. PATENT DOCUMENTS**

3,506,154	A	*	4/1970	Barnes	.....	220/592.16
D239,370	S	*	3/1976	Baker	.....	D3/307
3,958,359	A		5/1976	Doughty		
D240,888	S		8/1976	Roussel		
4,146,279	A		3/1979	Stahel		
4,581,902	A	*	4/1986	Starck et al.	.....	62/258
D309,406	S		7/1990	Ridings		
4,953,878	A	*	9/1990	Sbragia	.....	280/30

D314,655	S	*	2/1991	Hosmer	.....	D3/304
5,100,198	A		3/1992	Baltzell		
D353,304	S		12/1994	Friedrich		
5,373,708	A		12/1994	Dumoulin, Jr.		
5,522,471	A	*	6/1996	Hilgendorf	.....	280/30
5,660,310	A		8/1997	LeGrow		
5,715,962	A	*	2/1998	McDonnell	.....	220/592.25
D398,151	S	*	9/1998	Ahern, Jr.	.....	D3/304

\* cited by examiner

*Primary Examiner*—Terry A. Wallace

(74) *Attorney, Agent, or Firm*—Donald R. Schoonover

(57) **CLAIM**

I claim the ornamental design for a piggy back-type basket for mounting on cooler, as shown and described.

**DESCRIPTION**

FIG. 1 is a perspective view of a piggy back-type basket for mounting on cooler showing my new design; the broken lines show environmental structure for illustrative purposes only and form no part of the claimed design;

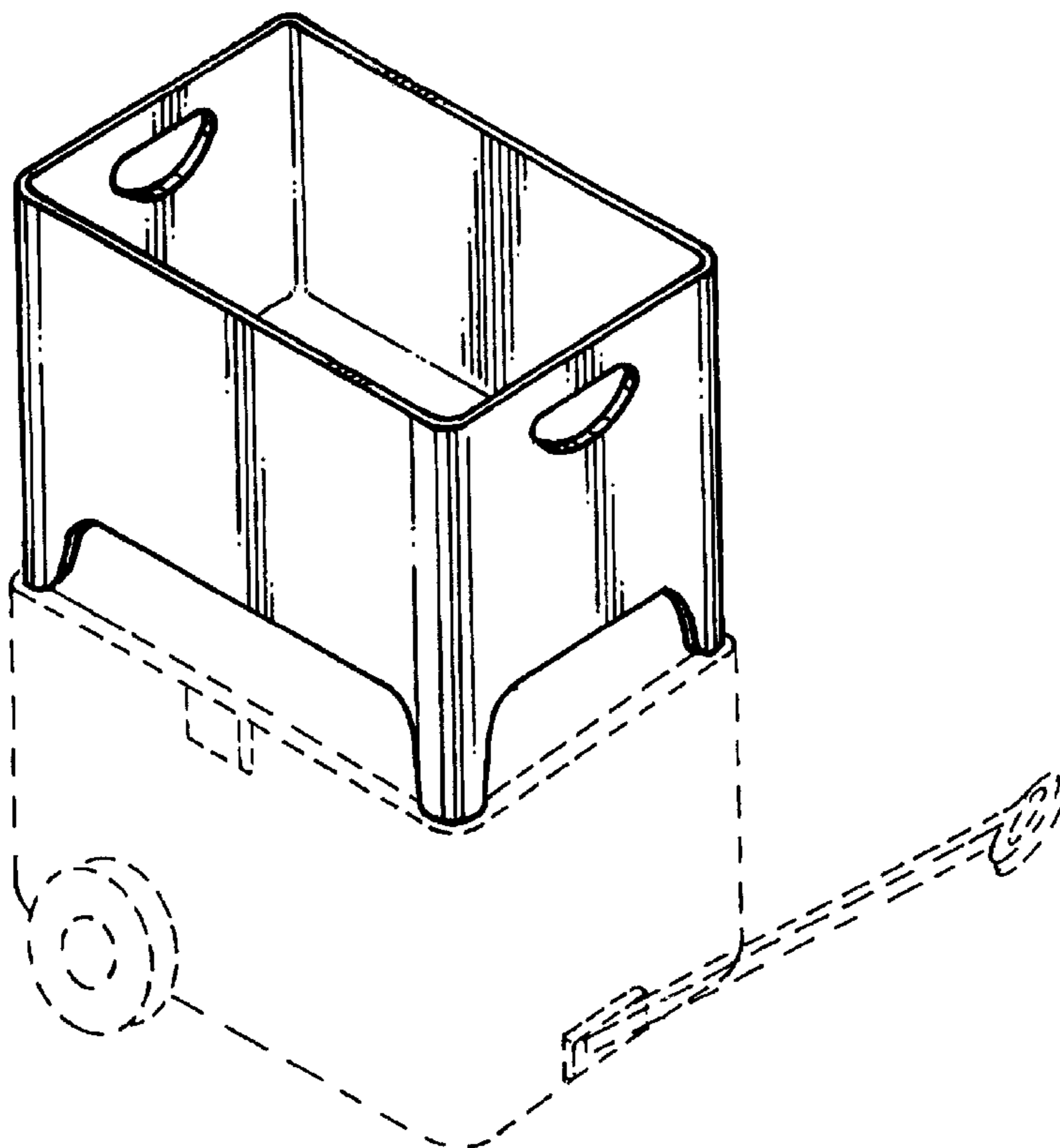
FIG. 2 is a side elevational view thereof, the elevational view of the opposite side being identical thereto;

FIG. 3 is an end elevational view thereof, the elevational view of the opposite end being identical thereto;

FIG. 4 is a top plan view thereof; and,

FIG. 5 is a bottom plan view thereof.

**1 Claim, 3 Drawing Sheets**



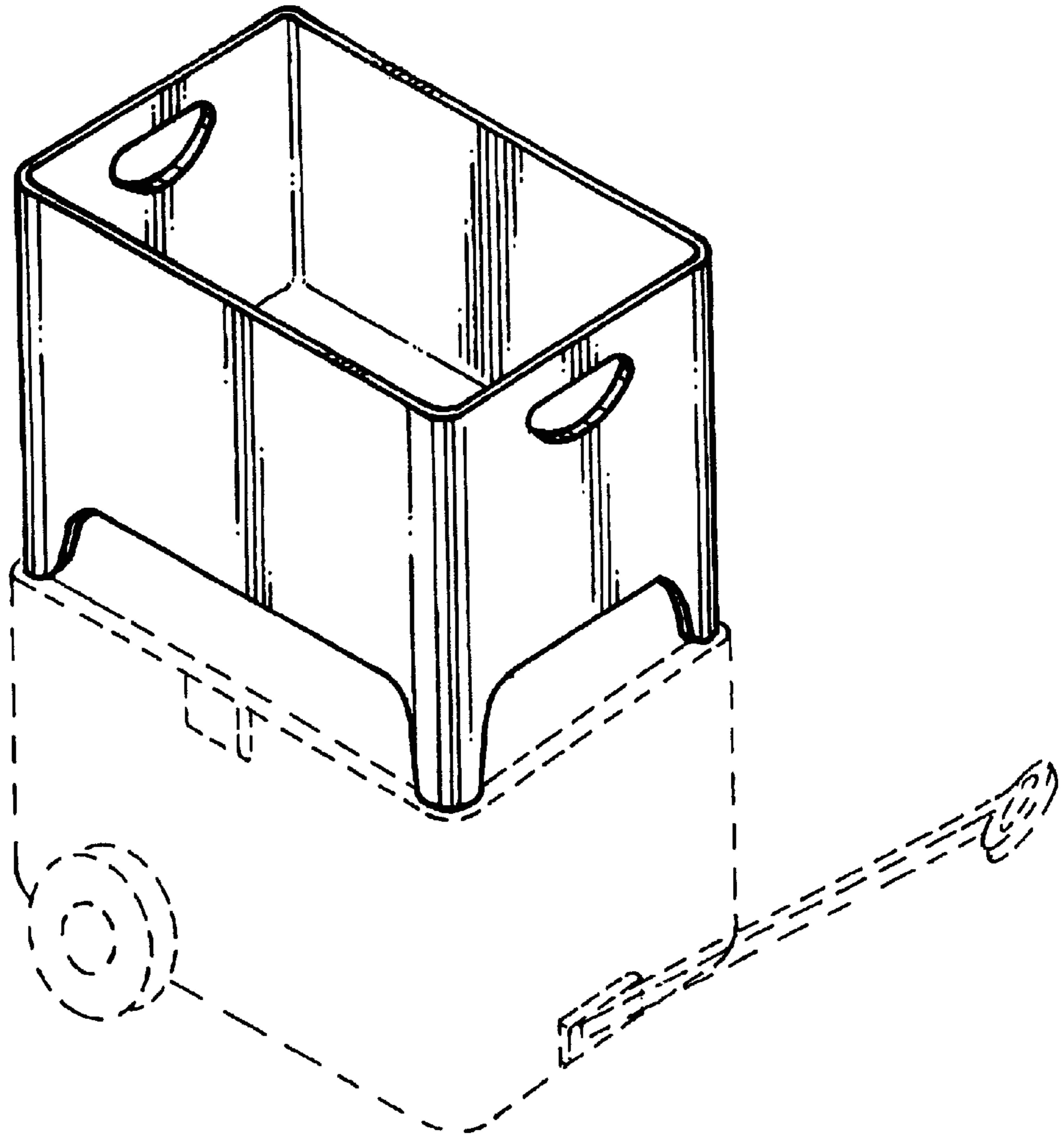


FIG. 1.

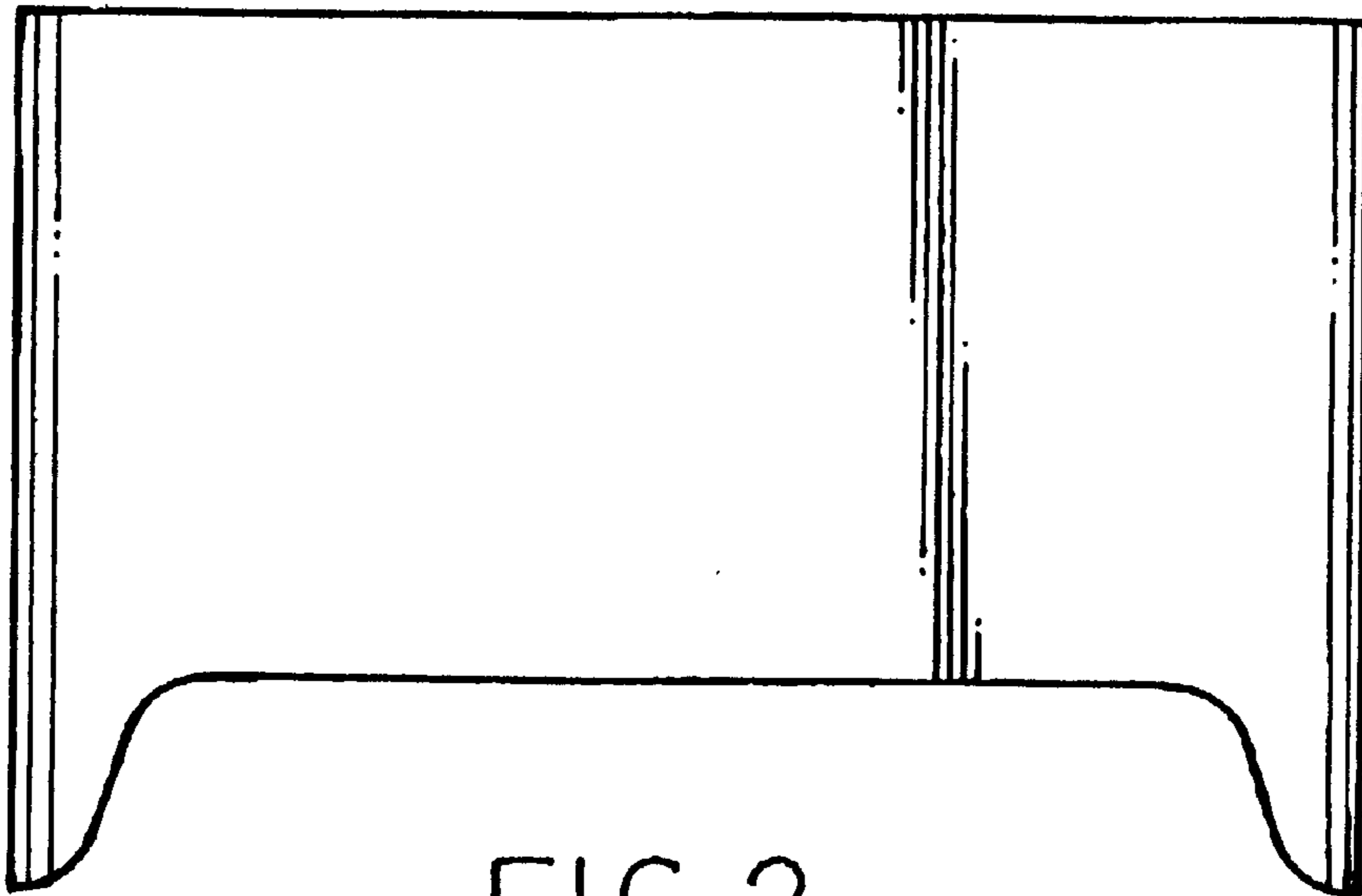


FIG. 2.

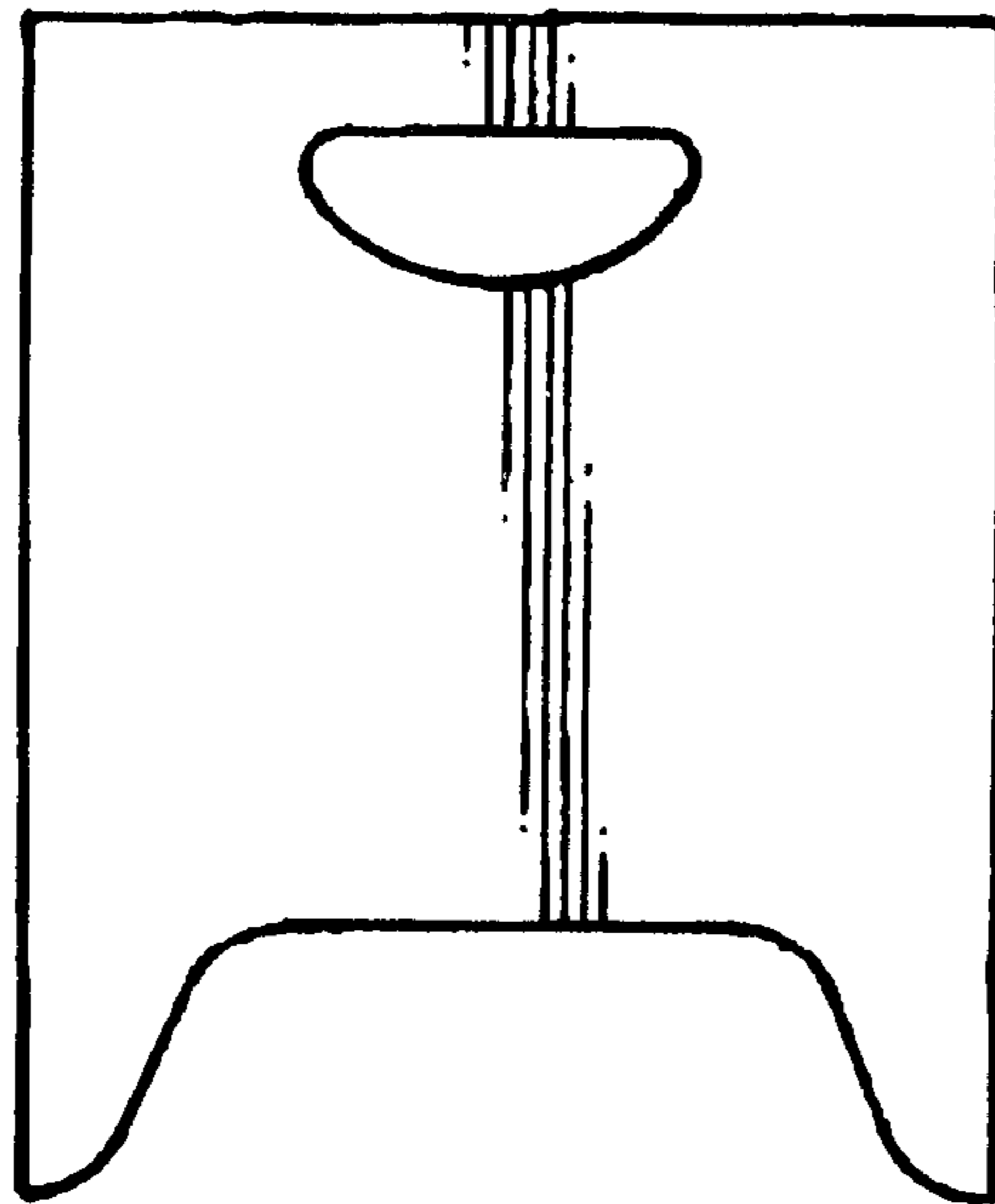


FIG. 3.

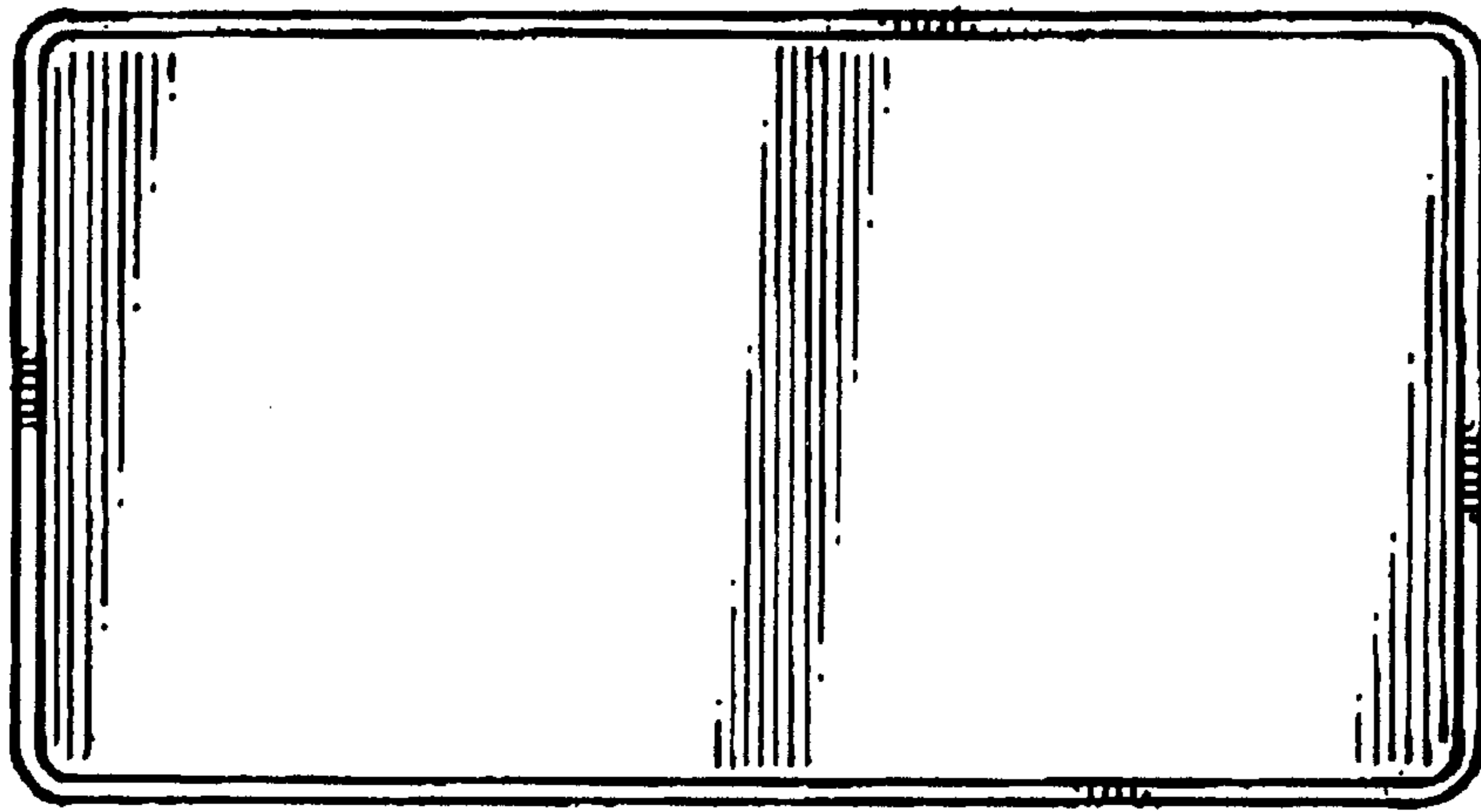


FIG. 4.

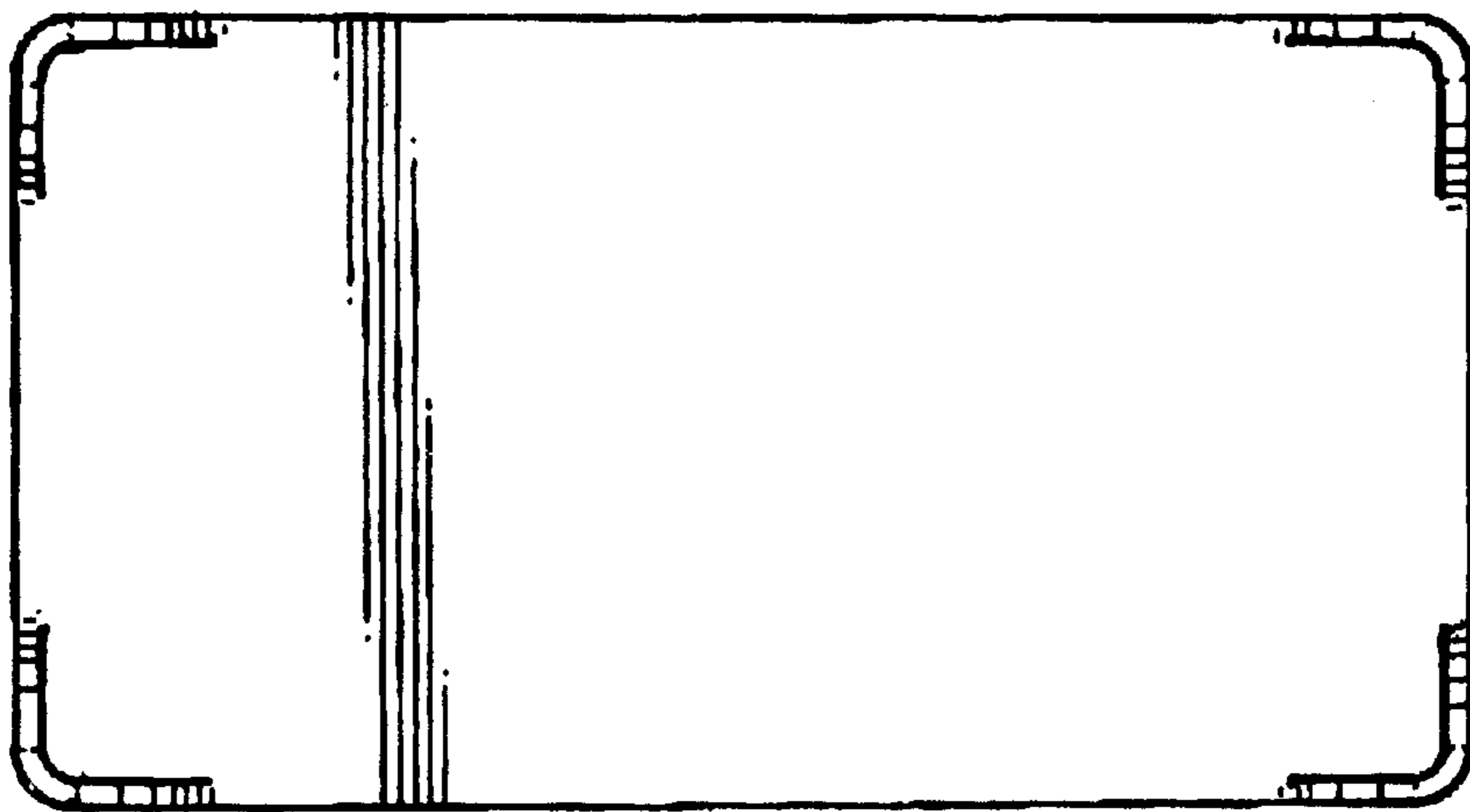


FIG. 5.