



US00D481263S

(12) **United States Design Patent**
Morgan

(10) **Patent No.:** **US D481,263 S**

(45) **Date of Patent:** **** Oct. 28, 2003**

(54) **STATIONARY STORAGE RACK FOR POTS,
PANS AND LIDS**

(76) **Inventor:** **Fletcher Morgan**, 4990 Coquina Key
Dr., SE., St. Petersburg, FL (US) 33705

(**) **Term:** **14 Years**

(21) **Appl. No.:** **29/163,795**

(22) **Filed:** **Jul. 15, 2002**

(51) **LOC (7) Cl.** **07-99**

(52) **U.S. Cl.** **D7/601**

(58) **Field of Search** D7/601; D6/462,
D6/464; 108/61; 211/40, 41.11, 41.1-41.4,
184, 49.1; 312/229, 294

(56) **References Cited**

U.S. PATENT DOCUMENTS

1,065,000	A	*	6/1913	Barter et al.	211/41.11
1,254,287	A	*	1/1918	Sterling	211/41.4
D120,494	S	*	5/1940	Watrall	D7/704
2,219,145	A	*	10/1940	Wolf	211/40
D167,483	S	*	8/1952	Russo	D6/464

D181,366	S	*	11/1957	Miffer	D6/462
2,841,288	A	*	7/1958	Field	211/41.4
D217,491	S	*	5/1970	Wooters	211/41.2
4,592,471	A	*	6/1986	Bross	211/41.2
5,111,940	A	*	5/1992	VanNoord	211/40

* cited by examiner

Primary Examiner—Terry A. Wallace

(74) *Attorney, Agent, or Firm*—John S. Hale; Gipple & Hale

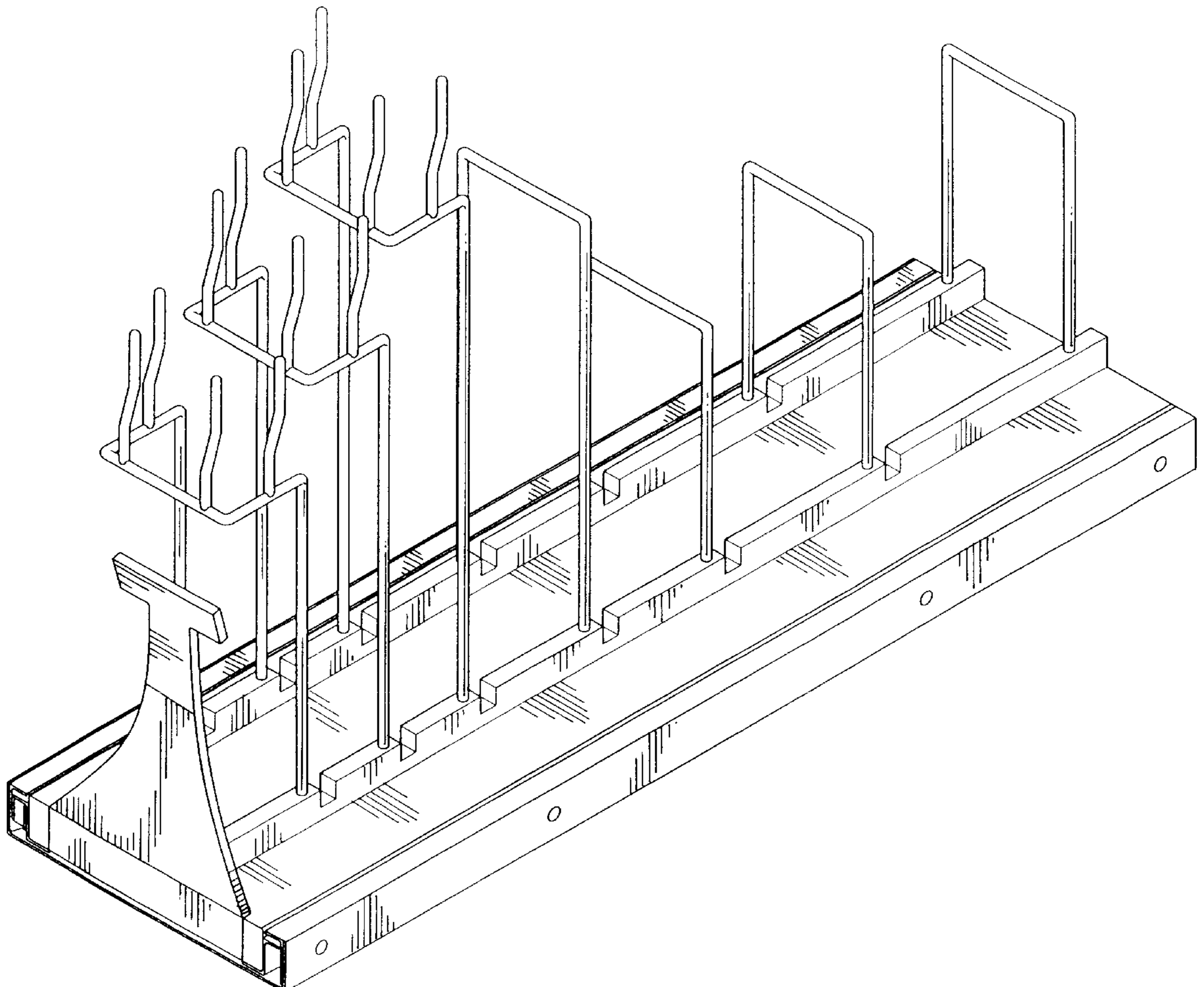
(57) **CLAIM**

The ornamental design for a stationary storage rack for pots, pans and lids, as shown and described.

DESCRIPTION

FIG. 1 is a front perspective view of the stationary storage rack for pots, pans and lids showing my new design; FIG. 2 is a side elevational view thereof; FIG. 3 is a front elevational view thereof; FIG. 4 is a rear elevational view thereof; FIG. 5 is a top plan view thereof; and, FIG. 6 is a bottom plan view thereof.

1 Claim, 4 Drawing Sheets



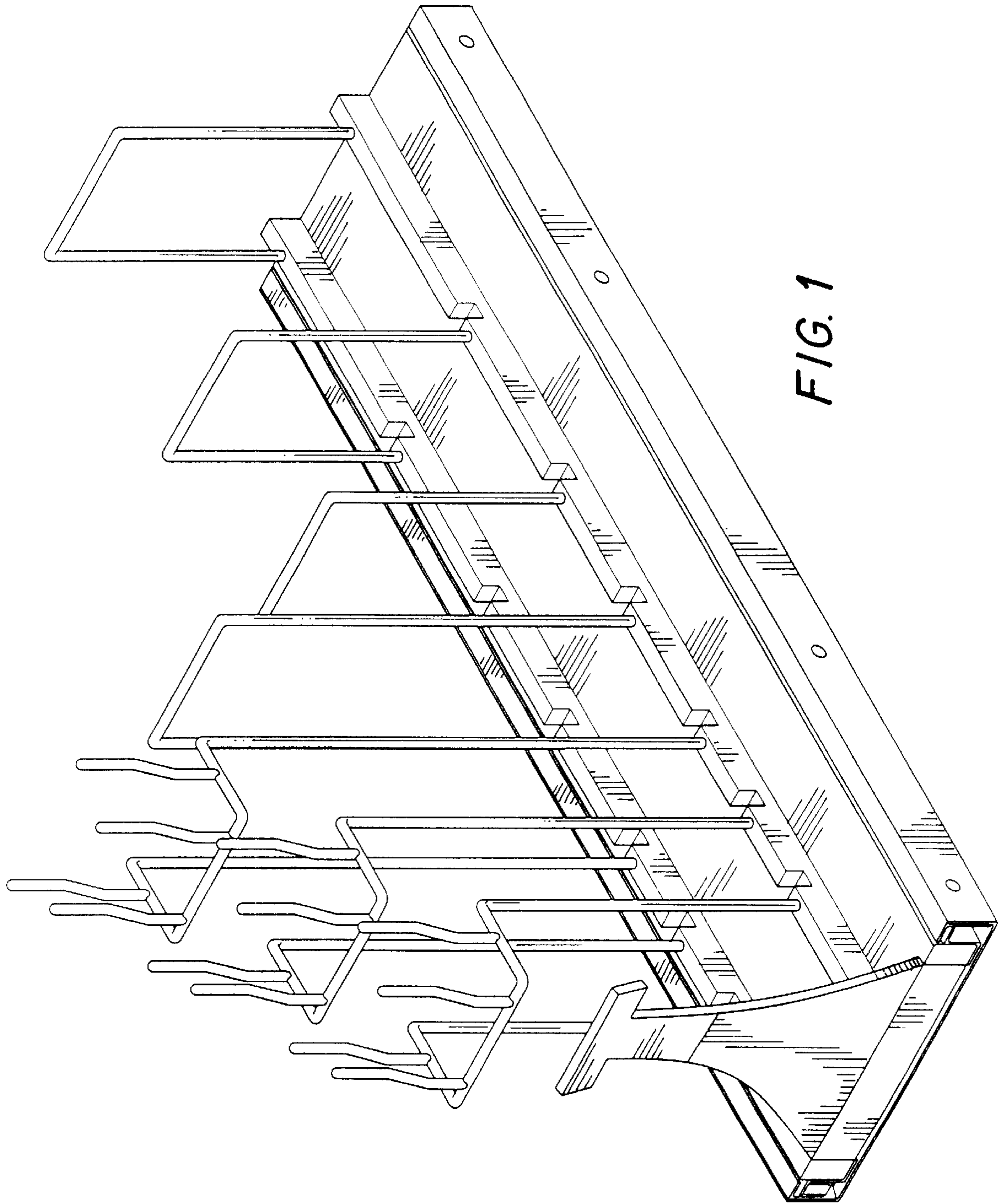
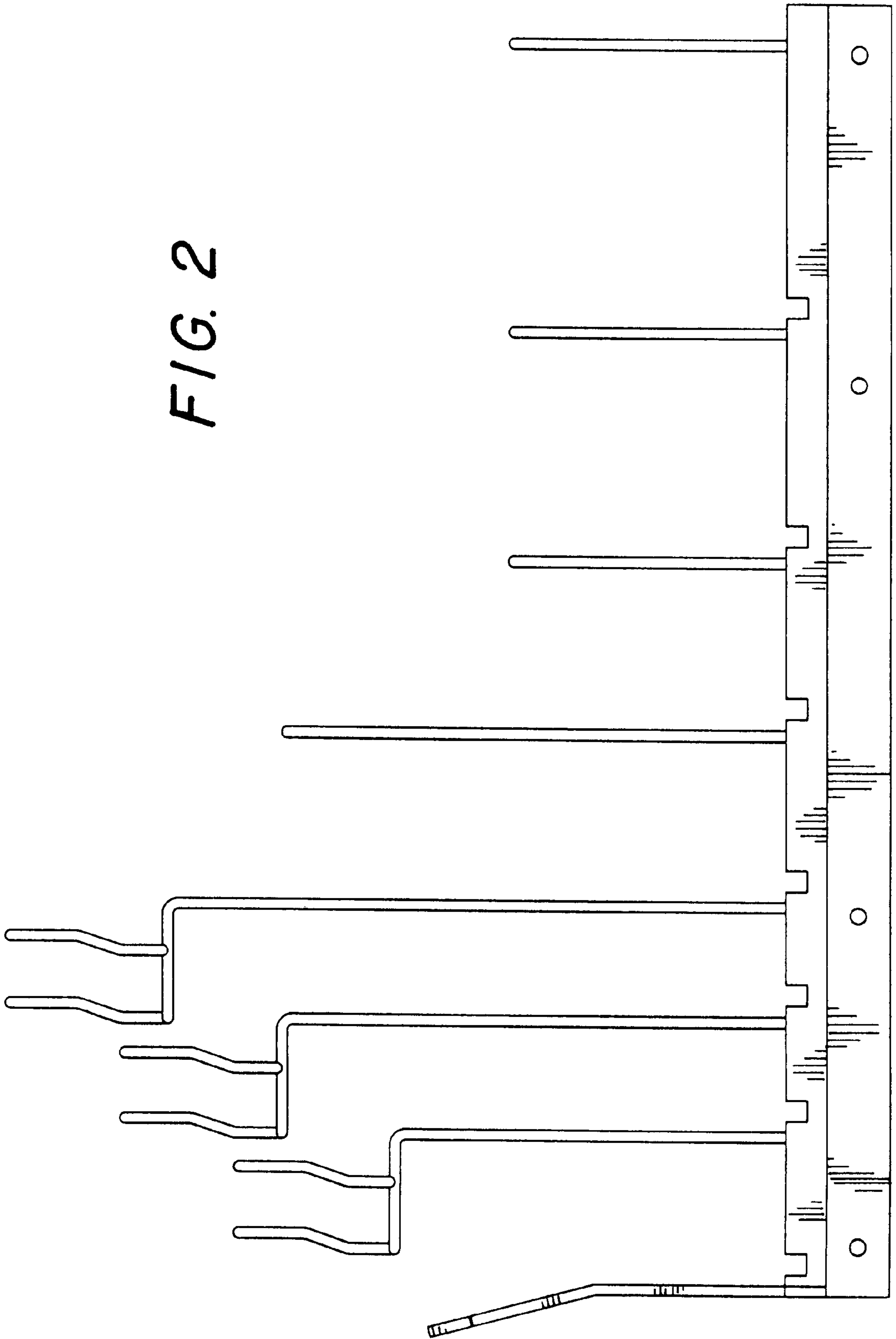


FIG. 1

FIG. 2



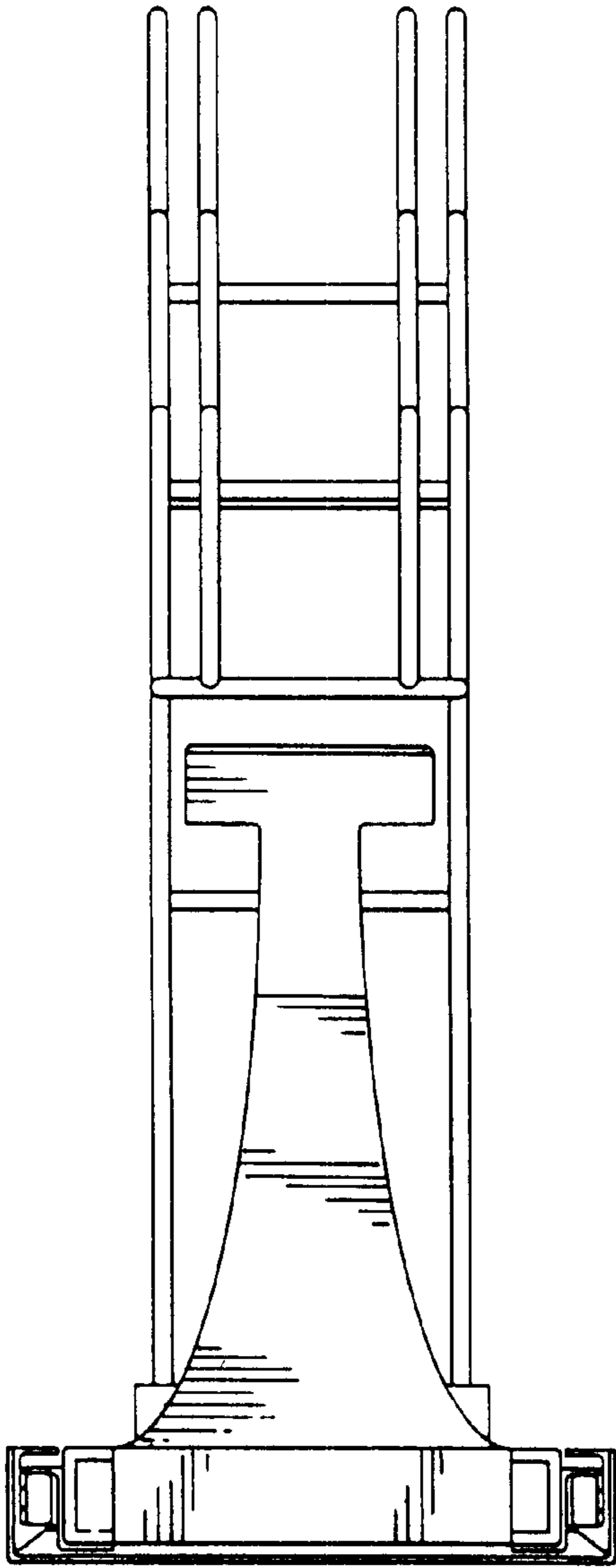


FIG. 3

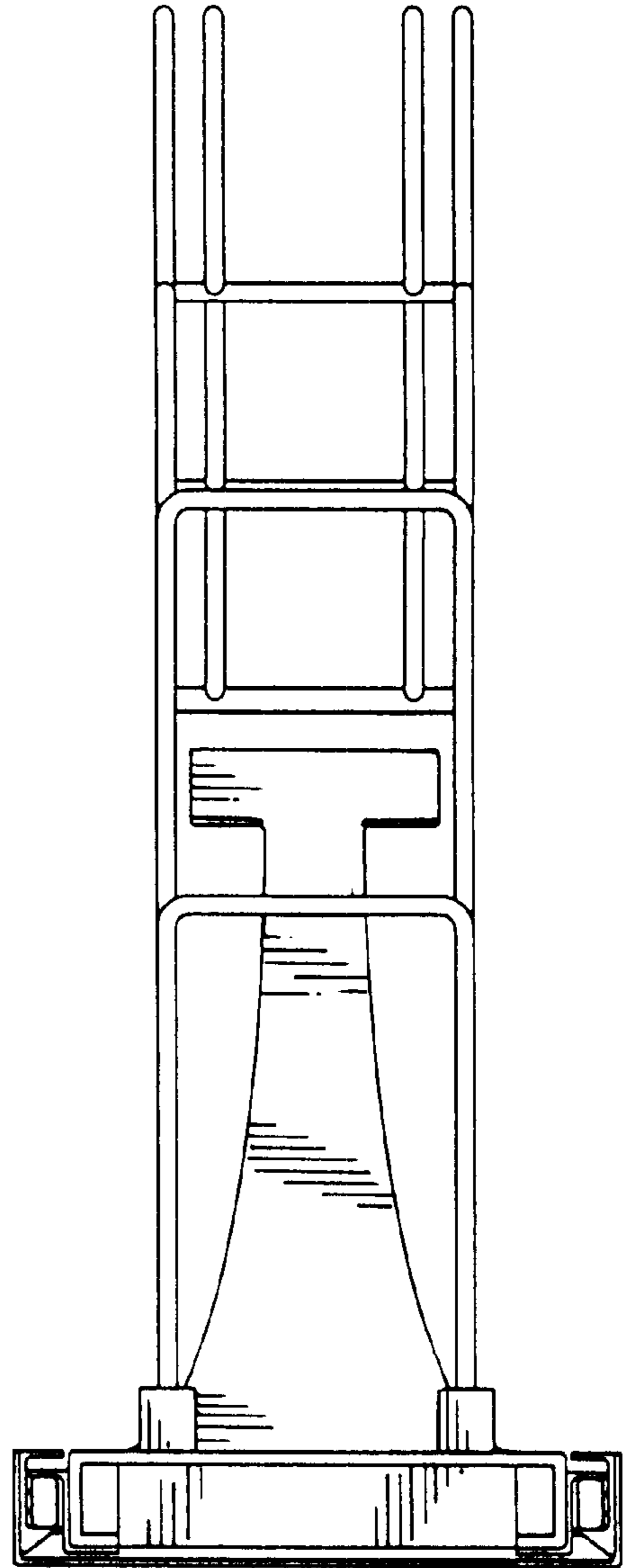


FIG. 4

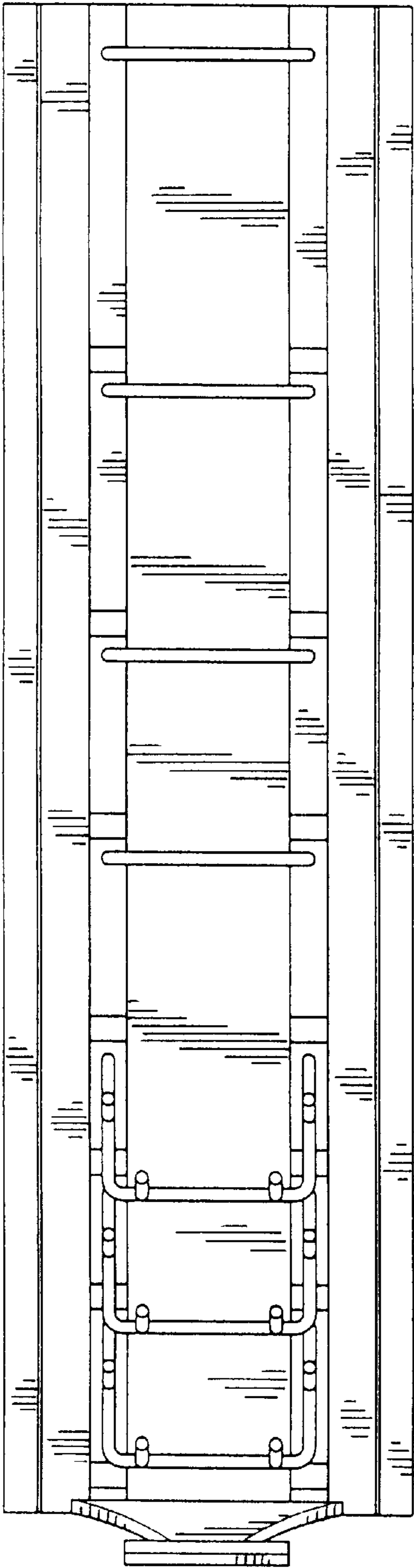


FIG. 5

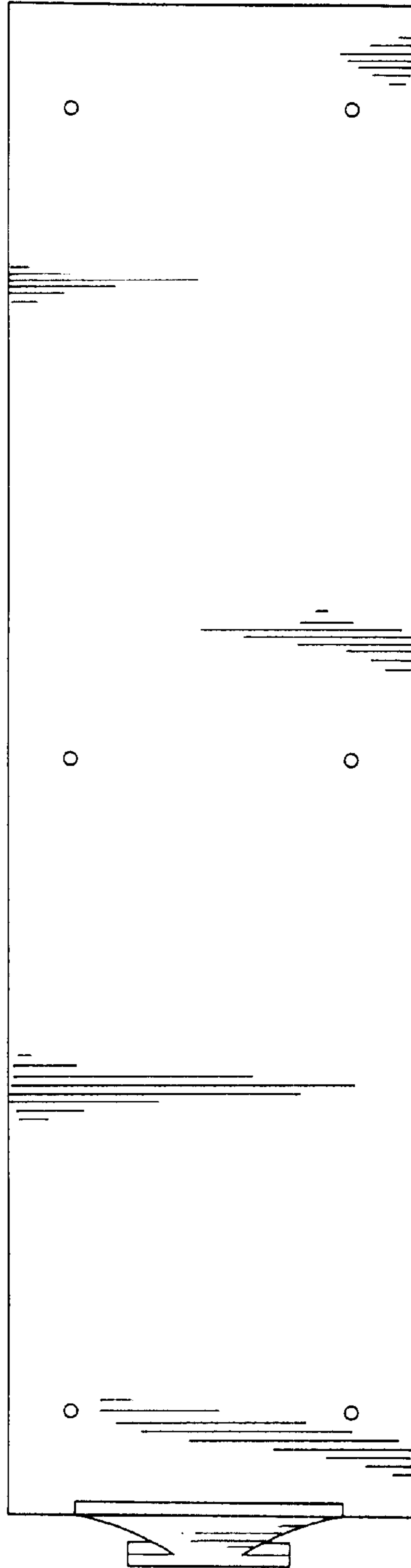


FIG. 6