



US00D481258S

(12) **United States Design Patent**  
**Brady et al.**

(10) **Patent No.:** **US D481,258 S**

(45) **Date of Patent:** **\*\* Oct. 28, 2003**

(54) **LID**

(75) Inventors: **Martin Brady**, Richmond, VA (US);  
**Jeffrey Mauch**, Mechanicsville, VA  
(US); **James Hallar**, Richmond, VA  
(US)

(73) Assignee: **Hamilton Beach/Proctor-Silex, Inc.**,  
Glen Allen, VA (US)

(\*\*) Term: **14 Years**

(21) Appl. No.: **29/157,232**

(22) Filed: **Mar. 14, 2002**

(51) **LOC (7) Cl.** ..... **31-00**

(52) **U.S. Cl.** ..... **D7/412**

(58) **Field of Search** ..... D7/387, 391-392.1,  
D7/412, 413, 538, 540, 640; 126/384.1;  
220/200, 203.11, 802; D9/435, 439, 454,  
503

(56) **References Cited**

**U.S. PATENT DOCUMENTS**

D182,779 S	*	5/1958	Tupper	.....	D9/503
D196,060 S	*	8/1963	Eckersberg et al.	.....	D7/640
3,465,745 A	*	9/1969	Butler	.....	126/384.1
3,743,131 A	*	7/1973	Croyle et al.	.....	220/802
D235,960 S	*	7/1975	Widdows	.....	D7/391
4,467,784 A	*	8/1984	Lee et al.	.....	126/384.1

D282,616 S	*	2/1986	Gallagher et al.	.....	D7/392.1
4,586,666 A		5/1986	Fox		
4,599,003 A		7/1986	Schiebelhuth et al.		
4,700,901 A		10/1987	McClellan		
4,887,909 A		12/1989	Bennett		
D344,209 S	*	2/1994	Cousins et al.	.....	D7/392.1
D433,871 S		11/2000	Wong		
6,193,181 B1		2/2001	Astegno et al.		

\* cited by examiner

*Primary Examiner*—Caron D. Veynar

(74) *Attorney, Agent, or Firm*—Akin, Gump, Strauss,  
Hauer & Feld, L.L.P.

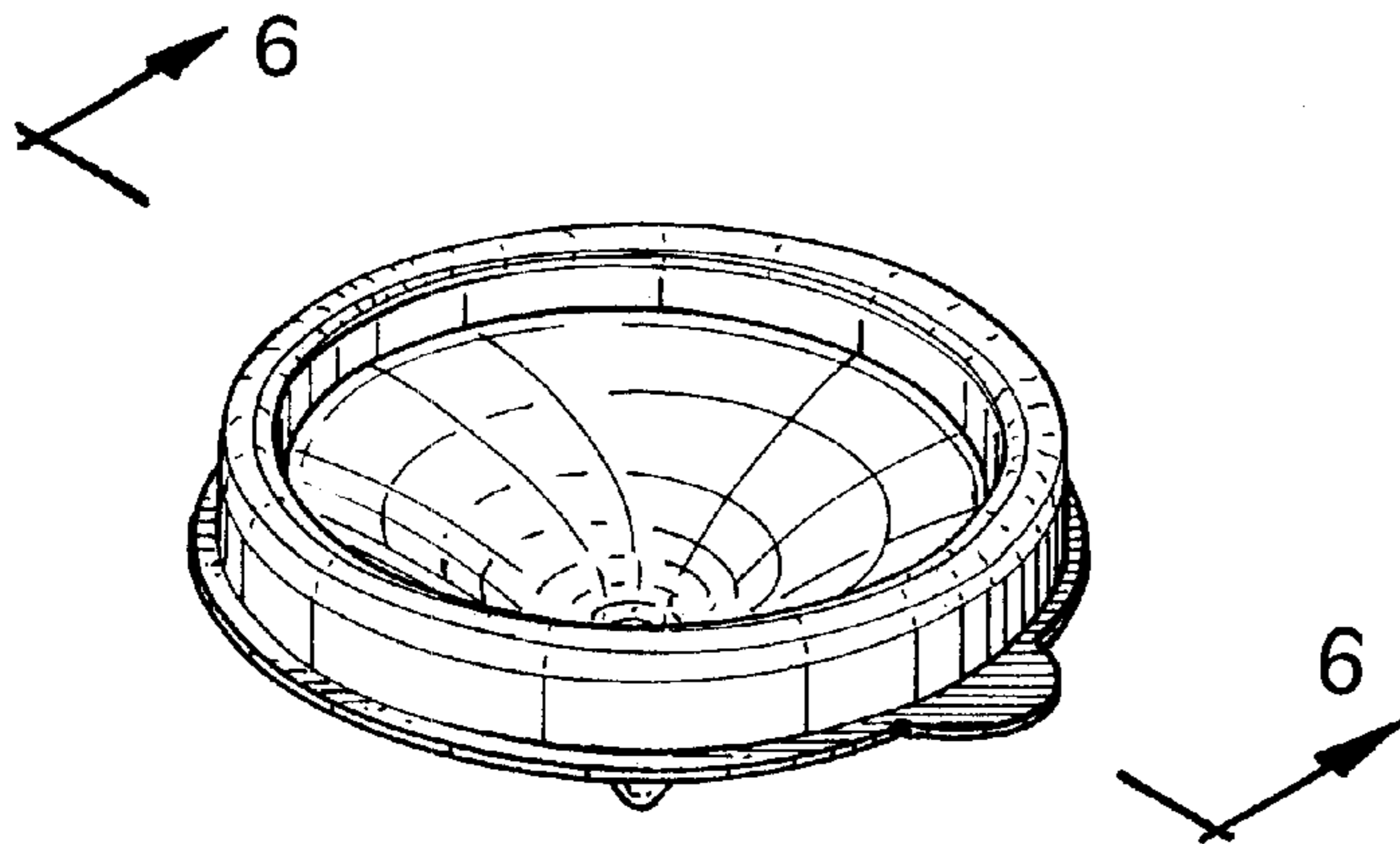
(57) **CLAIM**

The ornamental design for lid, as shown and described.

**DESCRIPTION**

FIG. 1 is a perspective view of a lid in accordance with a preferred embodiment of our new design;  
FIG. 2 is a front elevational view thereof, a rear elevational view thereof being identical;  
FIG. 3 is a right side elevational view thereof, a left side elevational view thereof being identical;  
FIG. 4 is a top plan view thereof;  
FIG. 5 is a bottom plan view thereof; and,  
FIG. 6 is a cross sectional view of FIG. 1, taken along line 6—6 of FIG. 1.

**1 Claim, 1 Drawing Sheet**



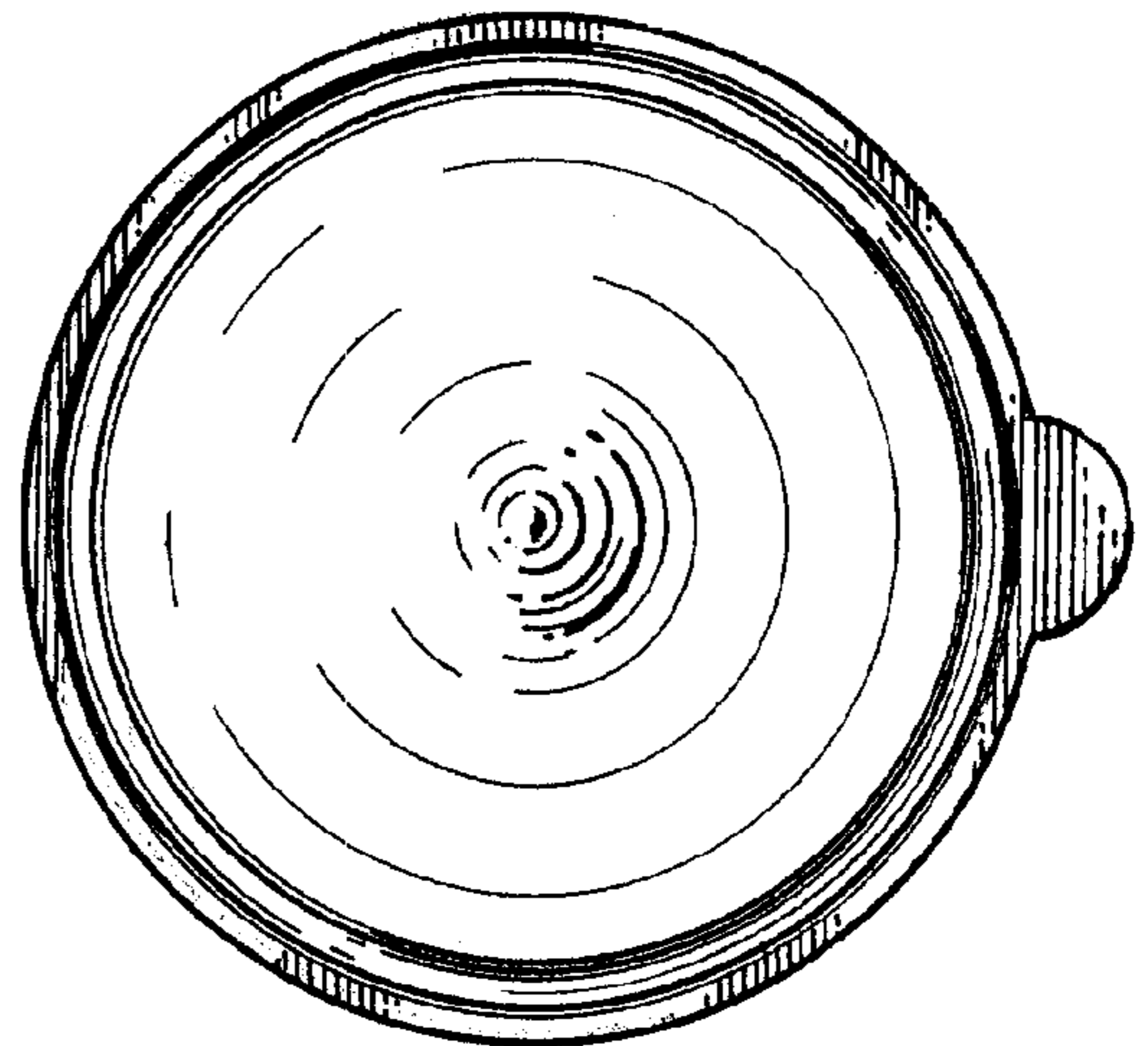
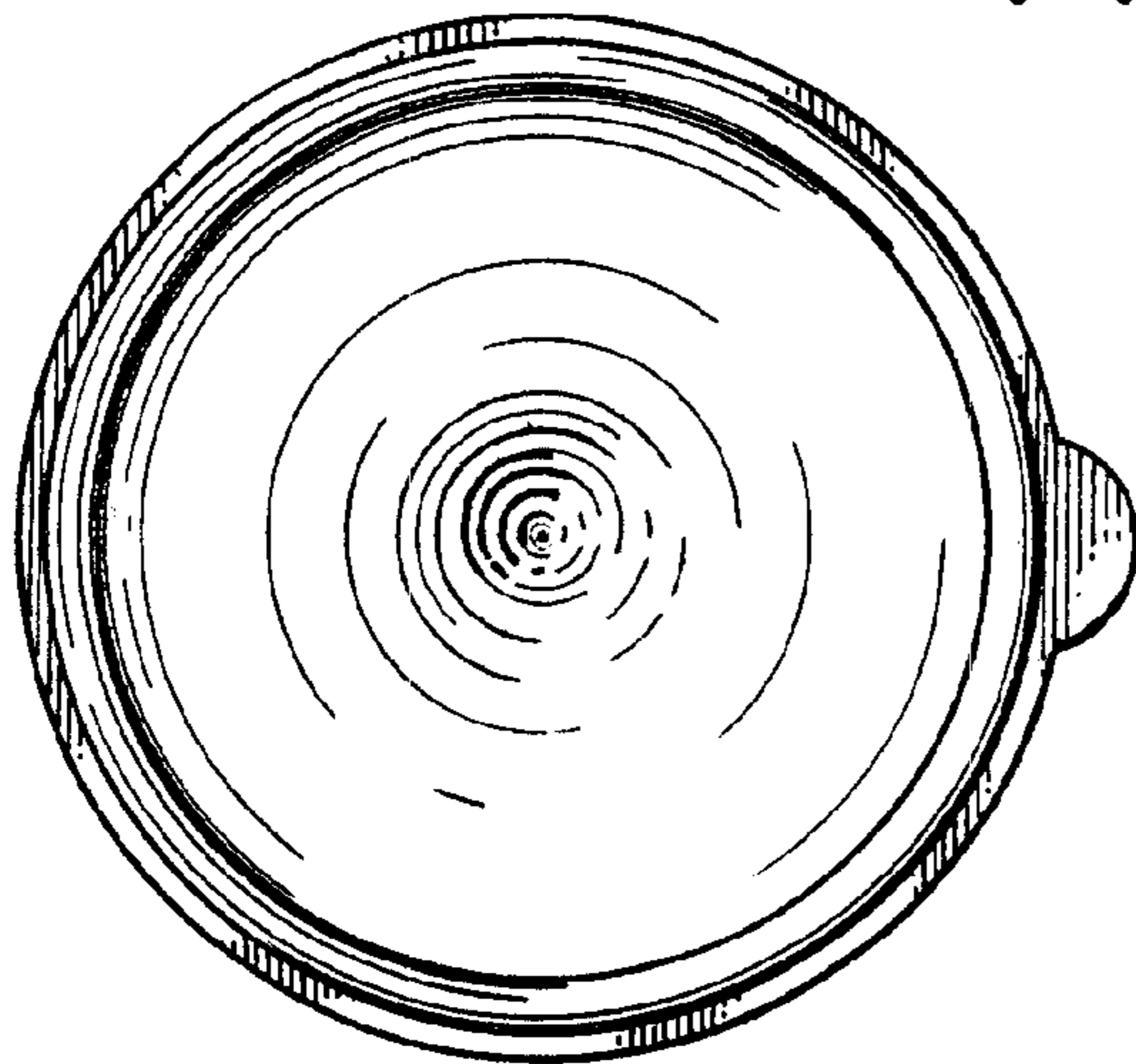
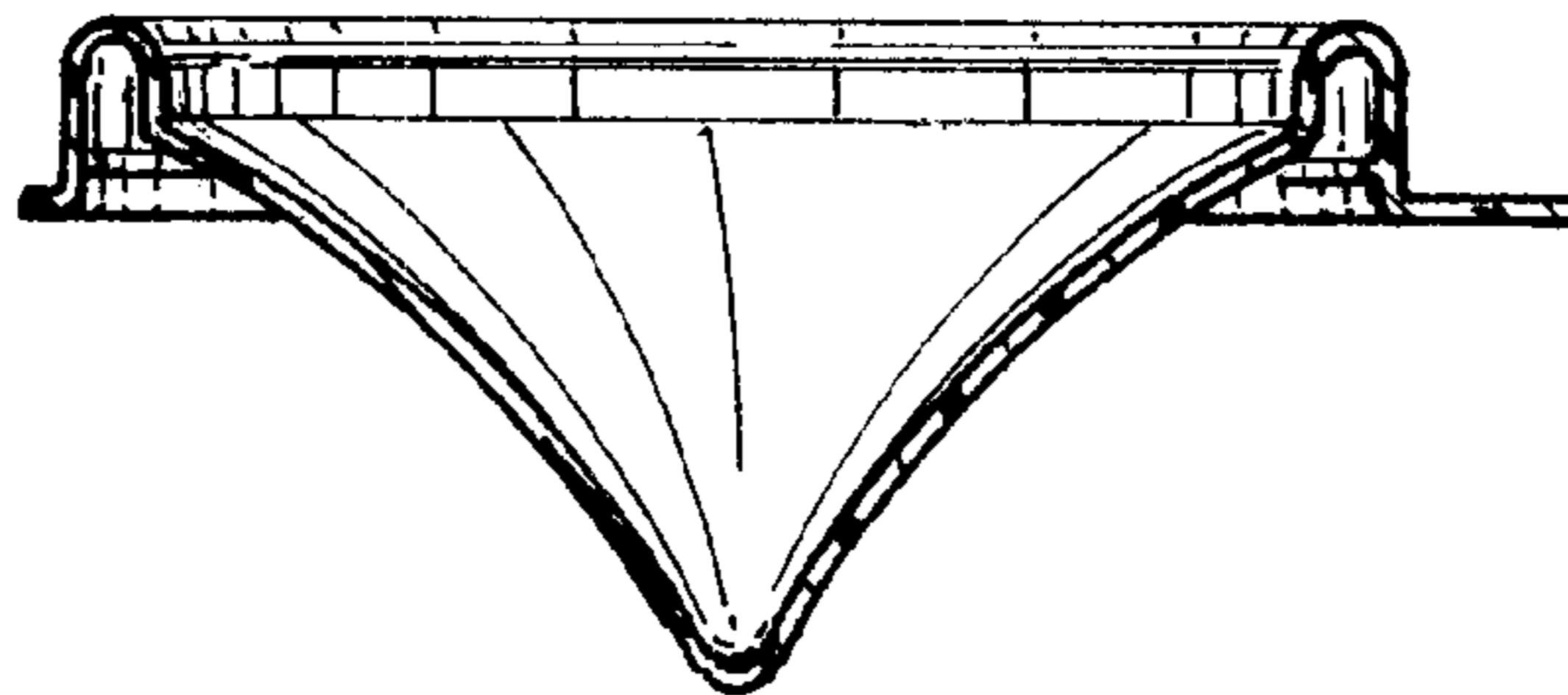
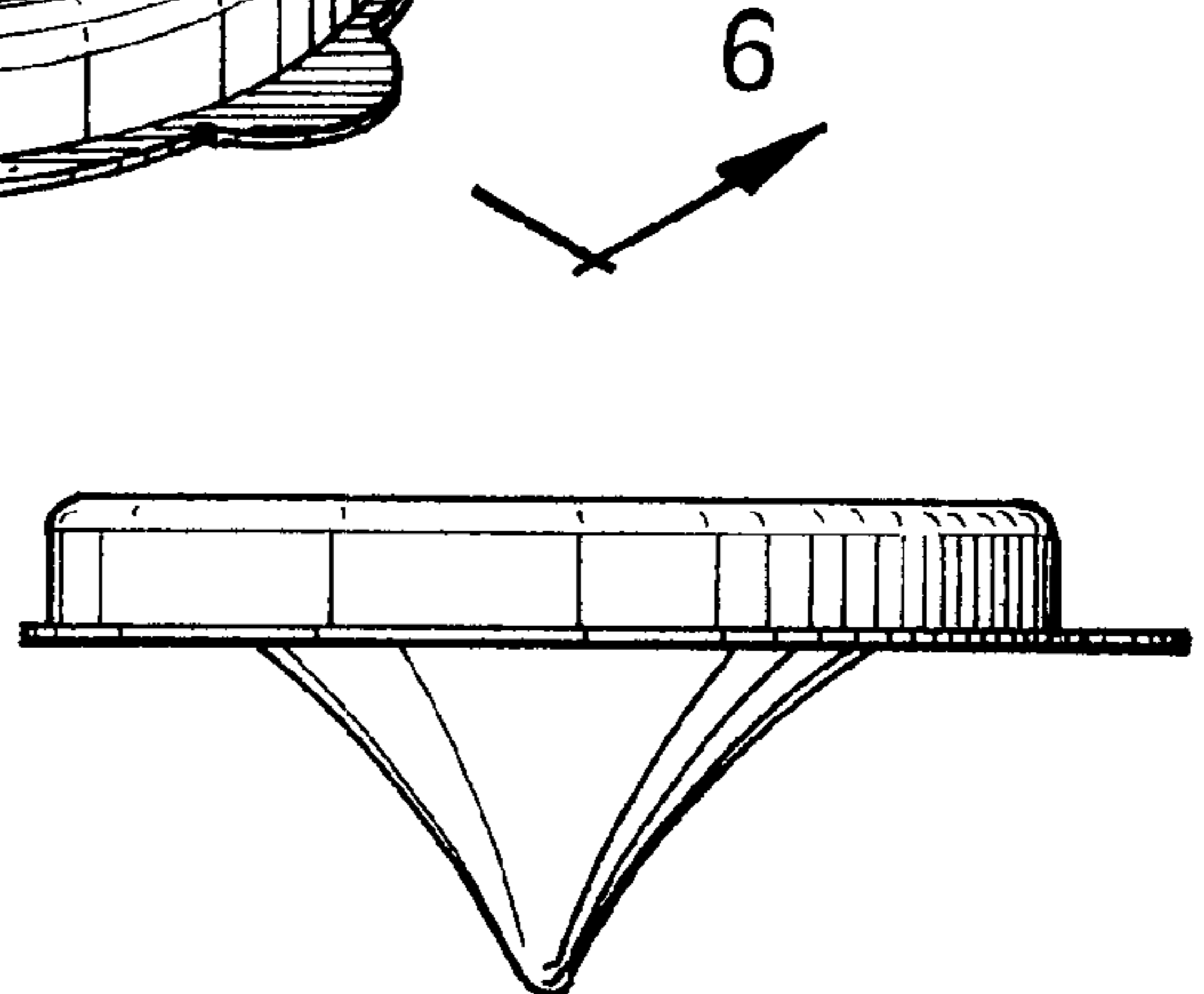
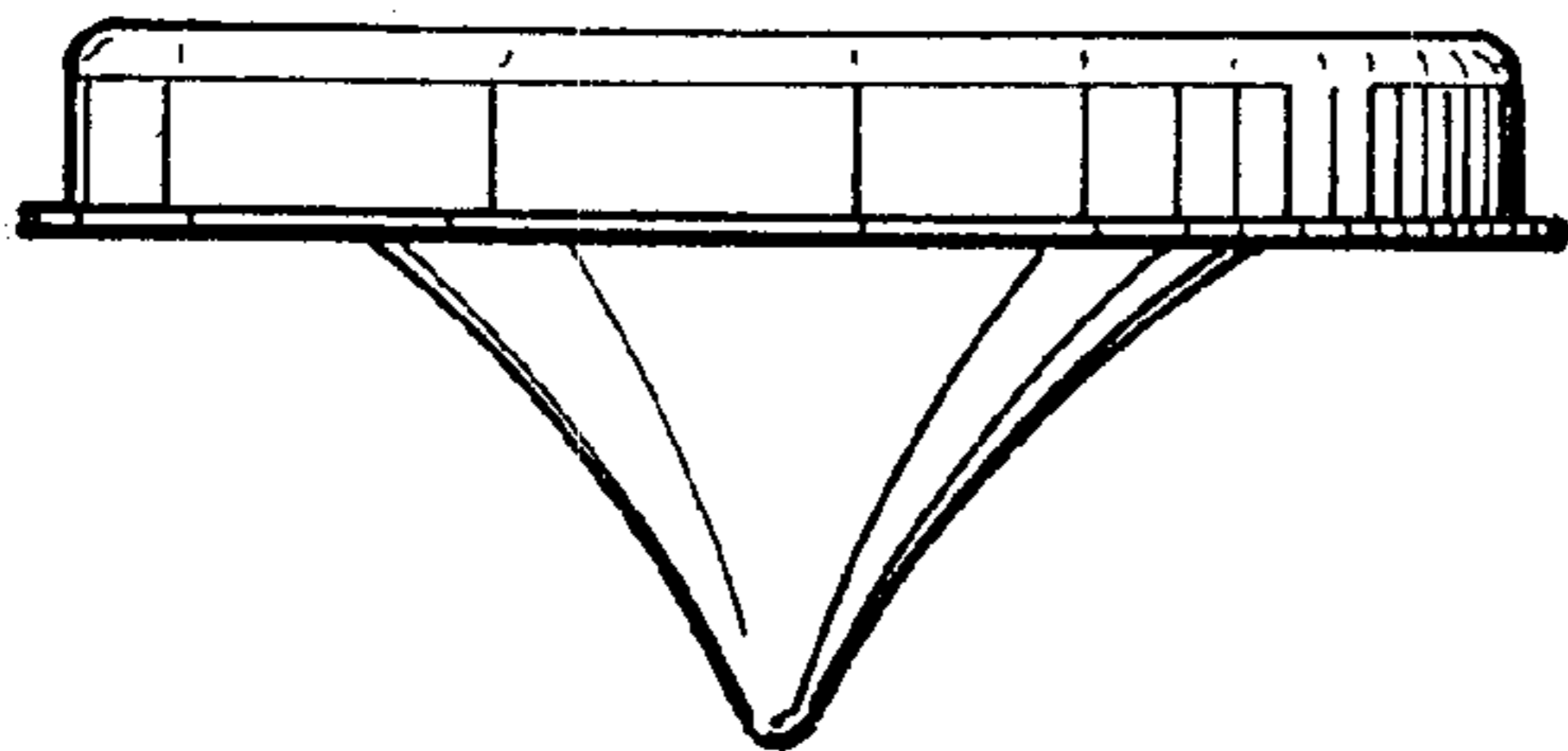
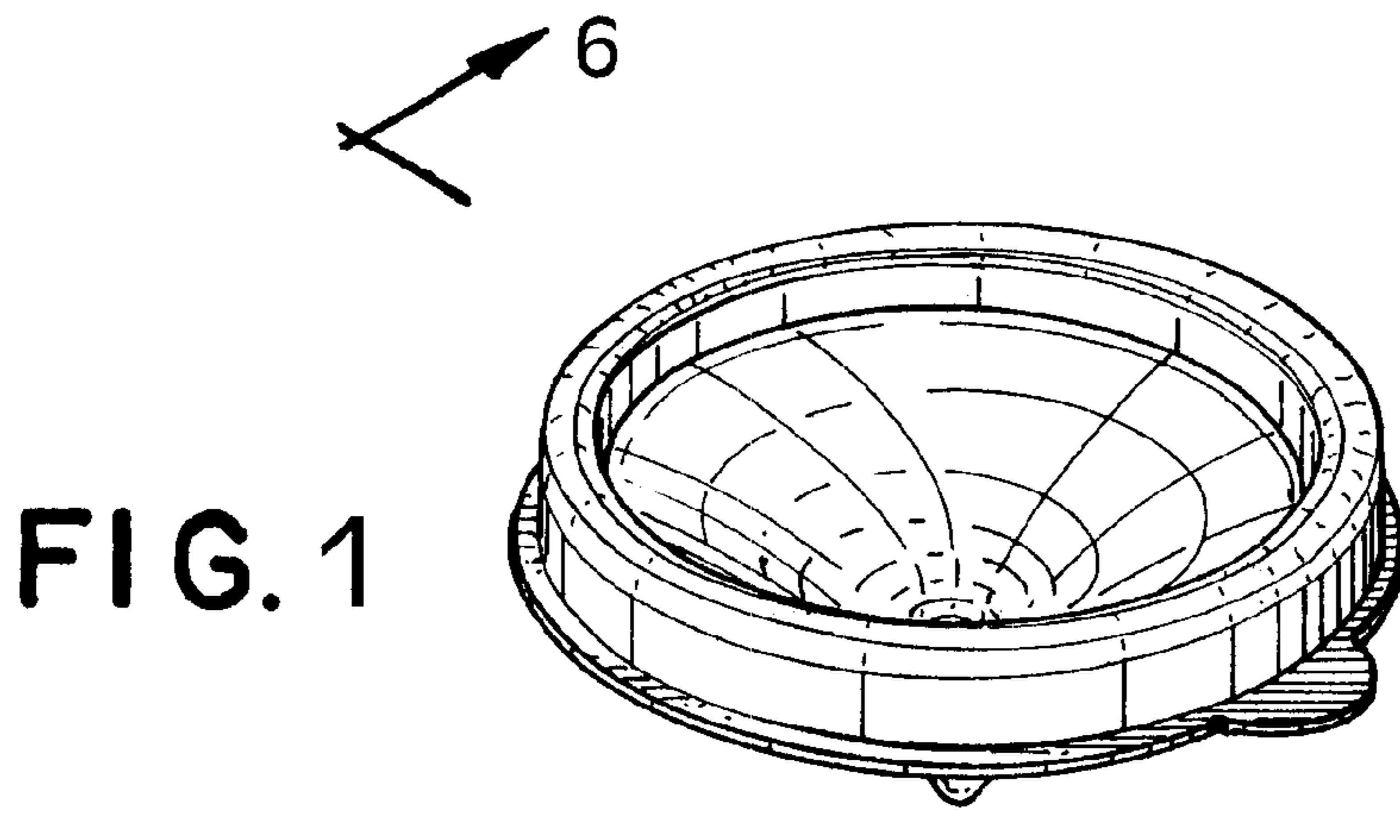


FIG. 4

FIG. 5