



US00D481257S

(12) **United States Design Patent**
Josancy

(10) **Patent No.:** **US D481,257 S**

(45) **Date of Patent:** **** Oct. 28, 2003**

(54) **STEAMER**

(75) Inventor: **Luc Josancy**, Sainte Colombe (FR)

(73) Assignee: **SEB**, Selongey (FR)

(**) Term: **14 Years**

(21) Appl. No.: **29/166,304**

(22) Filed: **Aug. 26, 2002**

(30) **Foreign Application Priority Data**

Feb. 26, 2002 (FR) 02 1437

(51) **LOC (7) Cl.** **07-02**

(52) **U.S. Cl.** **D7/356**

(58) **Field of Search** D7/323, 347, 354-361;
99/324, 325, 326, 327, 339, 340, 357, 403,
410, 422; 219/620-622, 429, 438, 448.13;
126/19 R, 20, 275 R, 275 E, 377, 369;
220/912, 573.1

(56) **References Cited**

U.S. PATENT DOCUMENTS

- D402,848 S * 12/1998 Piret D7/356
- D404,244 S * 1/1999 Jozancy D7/354
- D445,295 S * 7/2001 Su D7/323
- D463,712 S * 10/2002 Josancy D7/356

* cited by examiner

Primary Examiner—Caron D. Veynar
(74) *Attorney, Agent, or Firm*—Browdy and Neimark,
P.L.L.C.

(57) **CLAIM**

The ornamental design for a steamer, as shown and described.

DESCRIPTION

FIG. 1 is a front elevational view of a first model of a steamer in accordance with the present design with a removable bowl mounted therein;

FIG. 2 is a back elevational view thereof;

FIG. 3 is a right side elevational view thereof;

FIG. 4 is a left side elevational view thereof;

FIG. 5 is a top plan view thereof;

FIG. 6 is a bottom plan view thereof;

FIG. 7 is a front elevational view of second model of a steamer in accordance with the present design with a removable plastic bowl mounted therein;

FIG. 8 is a back elevational view thereof;

FIG. 9 is a right side elevational view thereof;

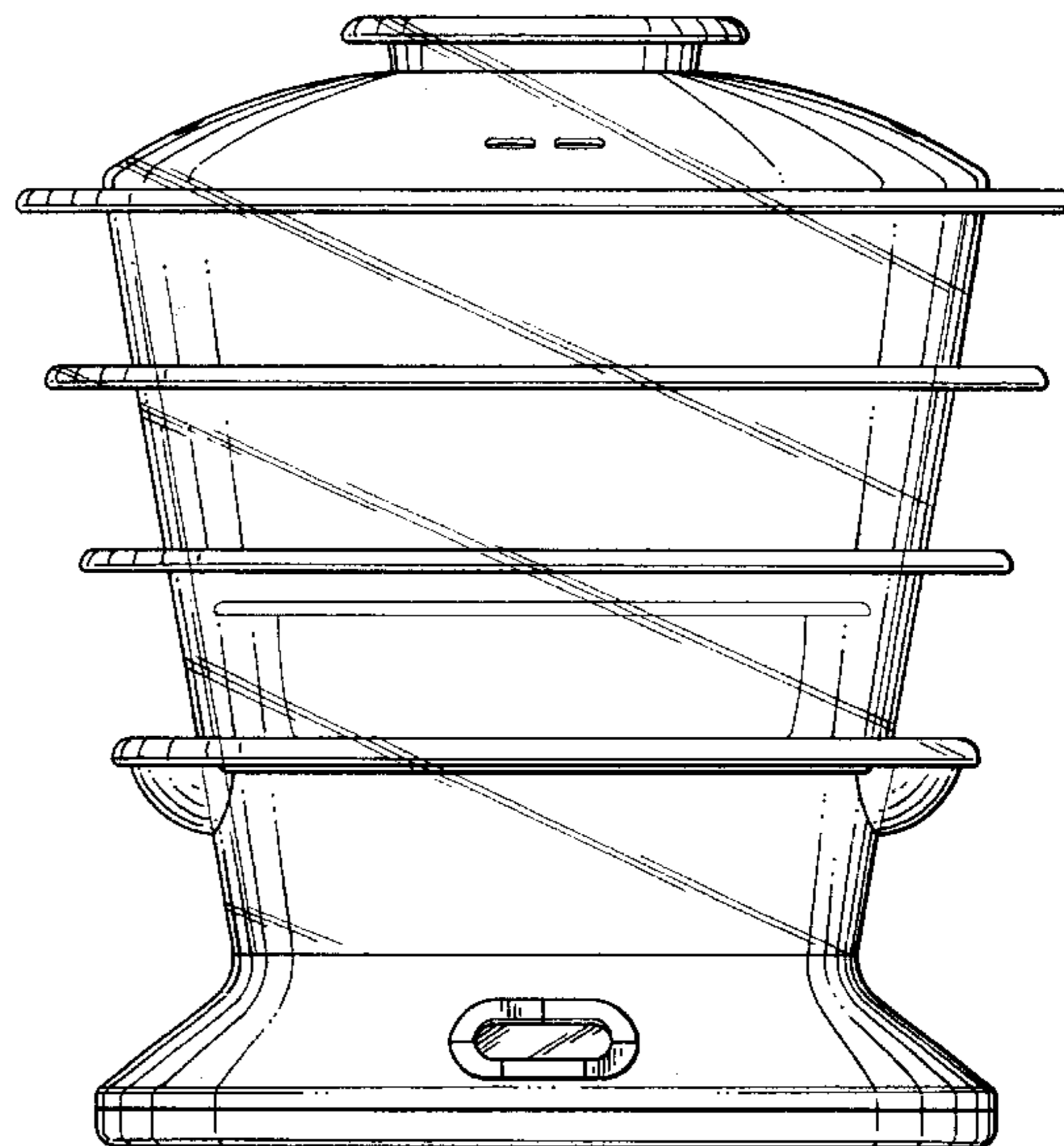
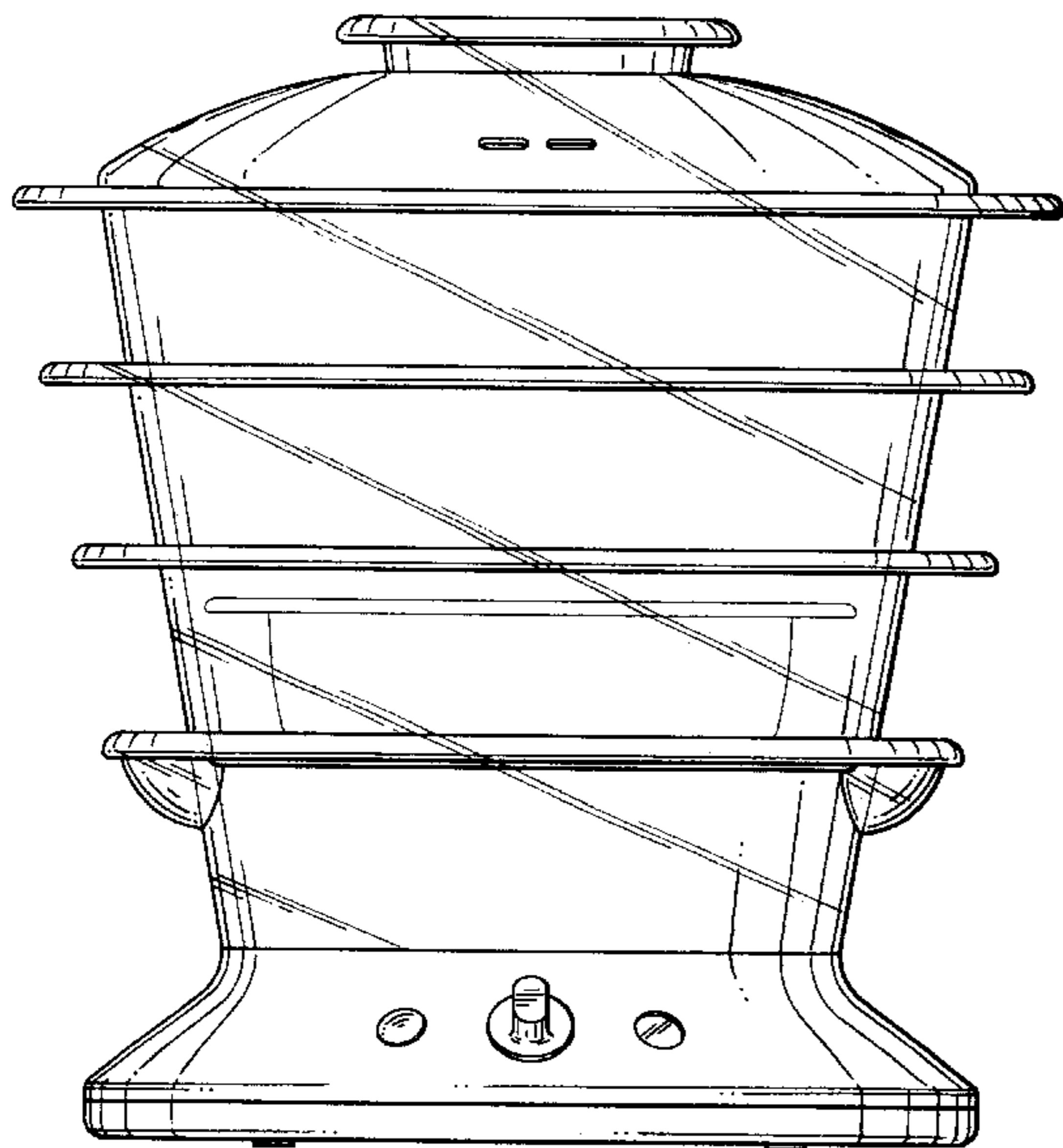
FIG. 10 is a left side elevational view thereof;

FIG. 11 is a top plan view thereof; and,

FIG. 12 is a bottom plan view thereof.

The first model has, in the front, a middle button with an oval upper part. This oval upper part is shown in FIGS. 1, 3 and 4 with its major axis extending essentially perpendicular to a horizontal plane.

1 Claim, 12 Drawing Sheets



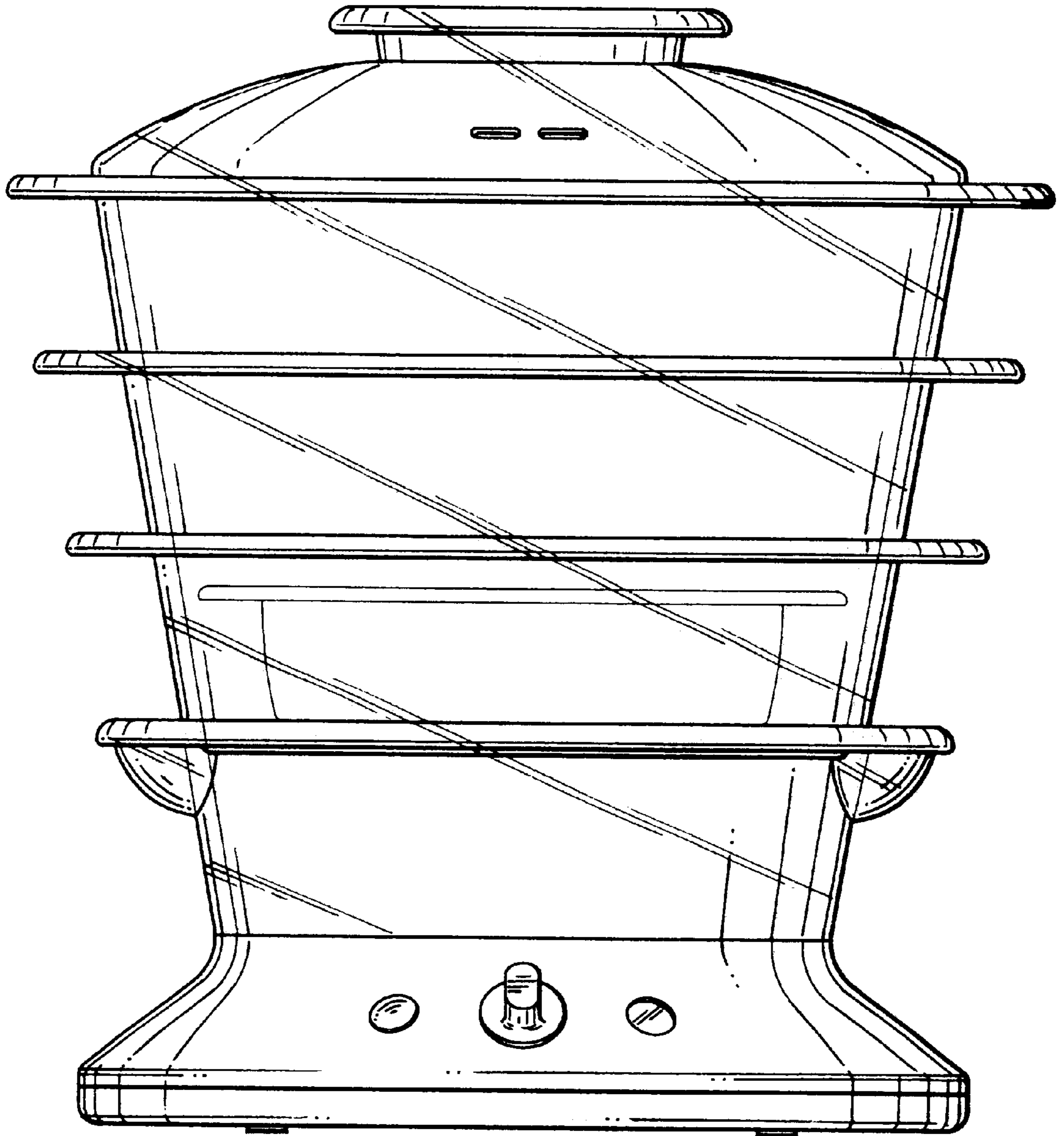


FIG. 1

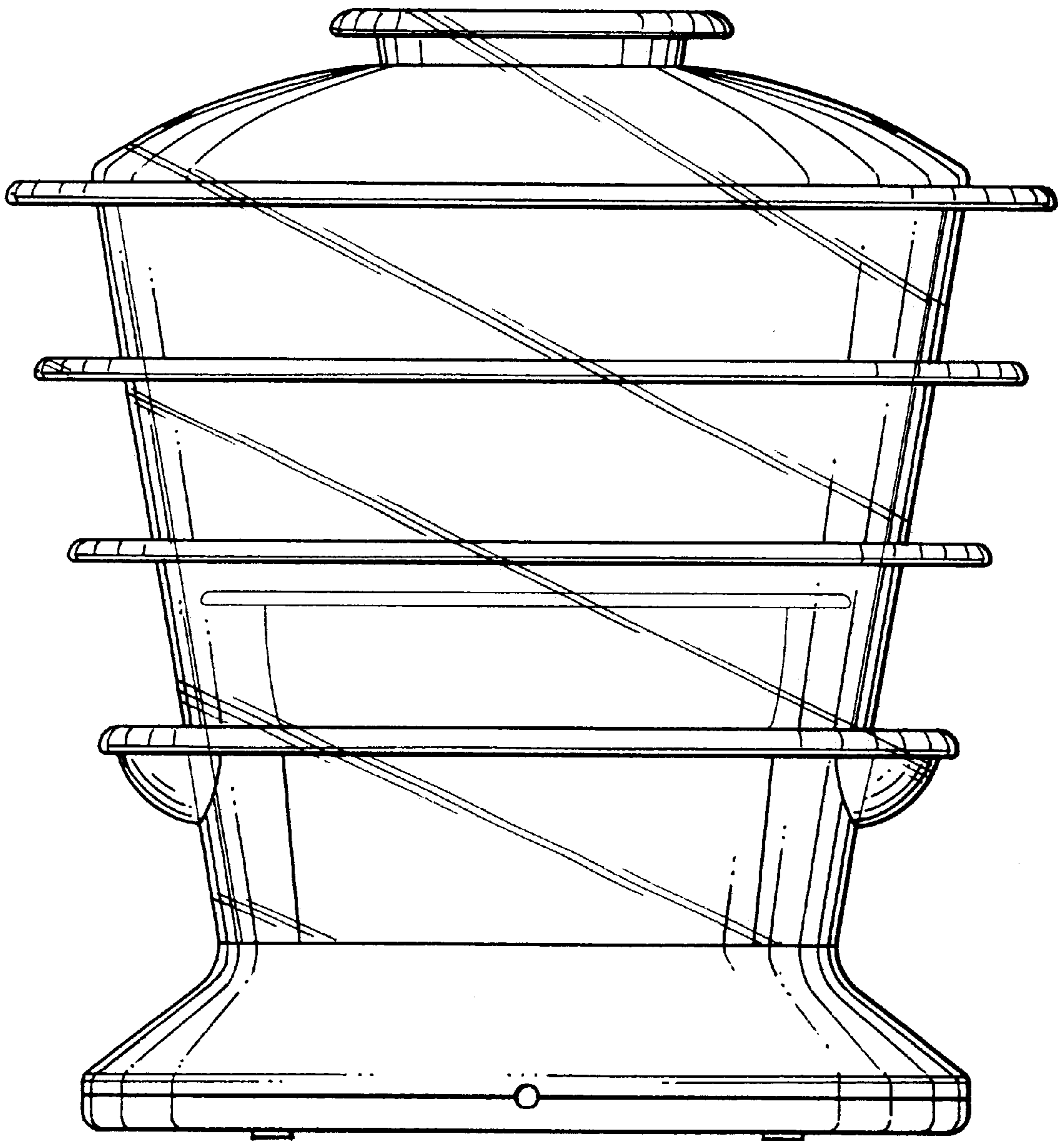


FIG. 2

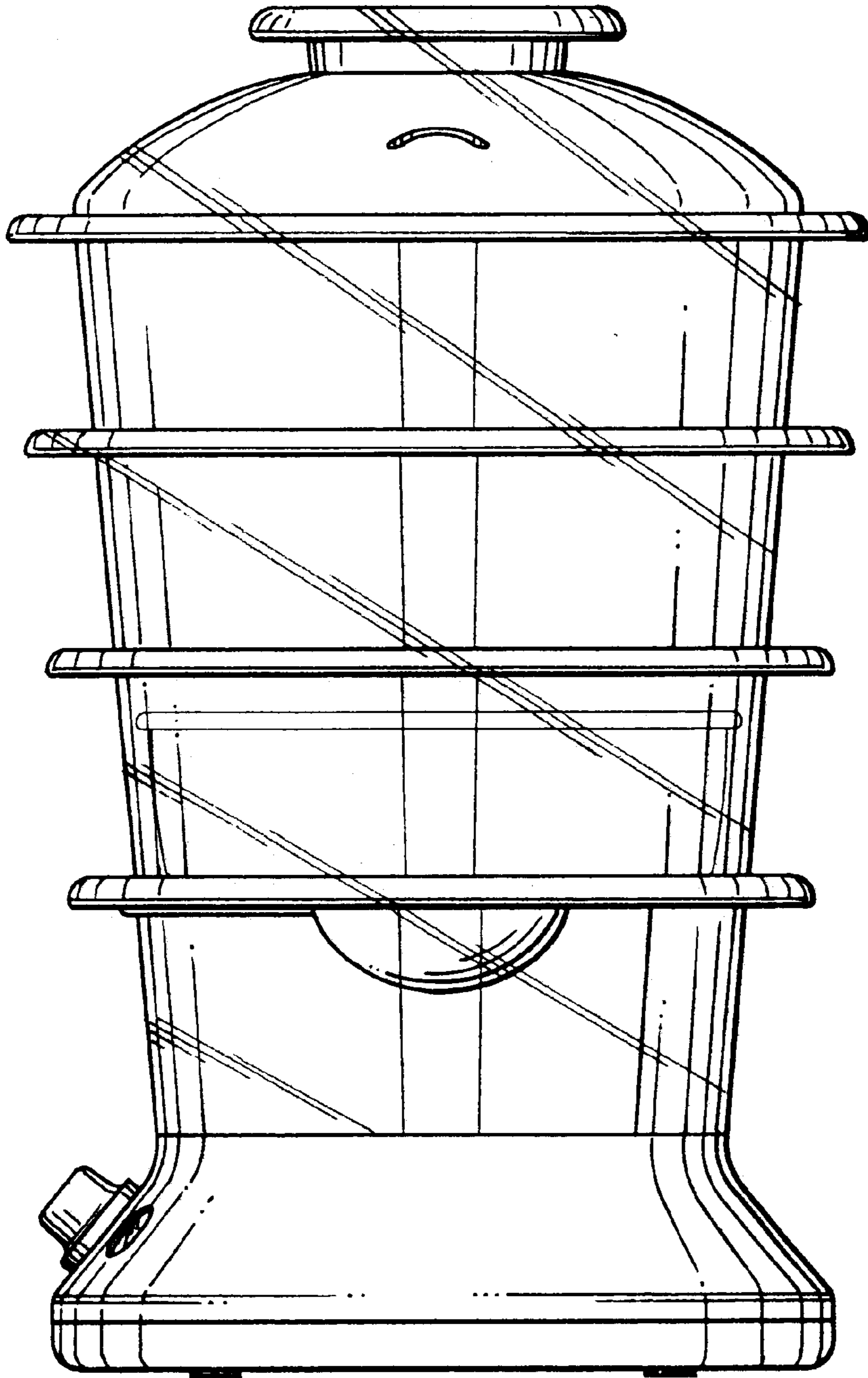


FIG. 3

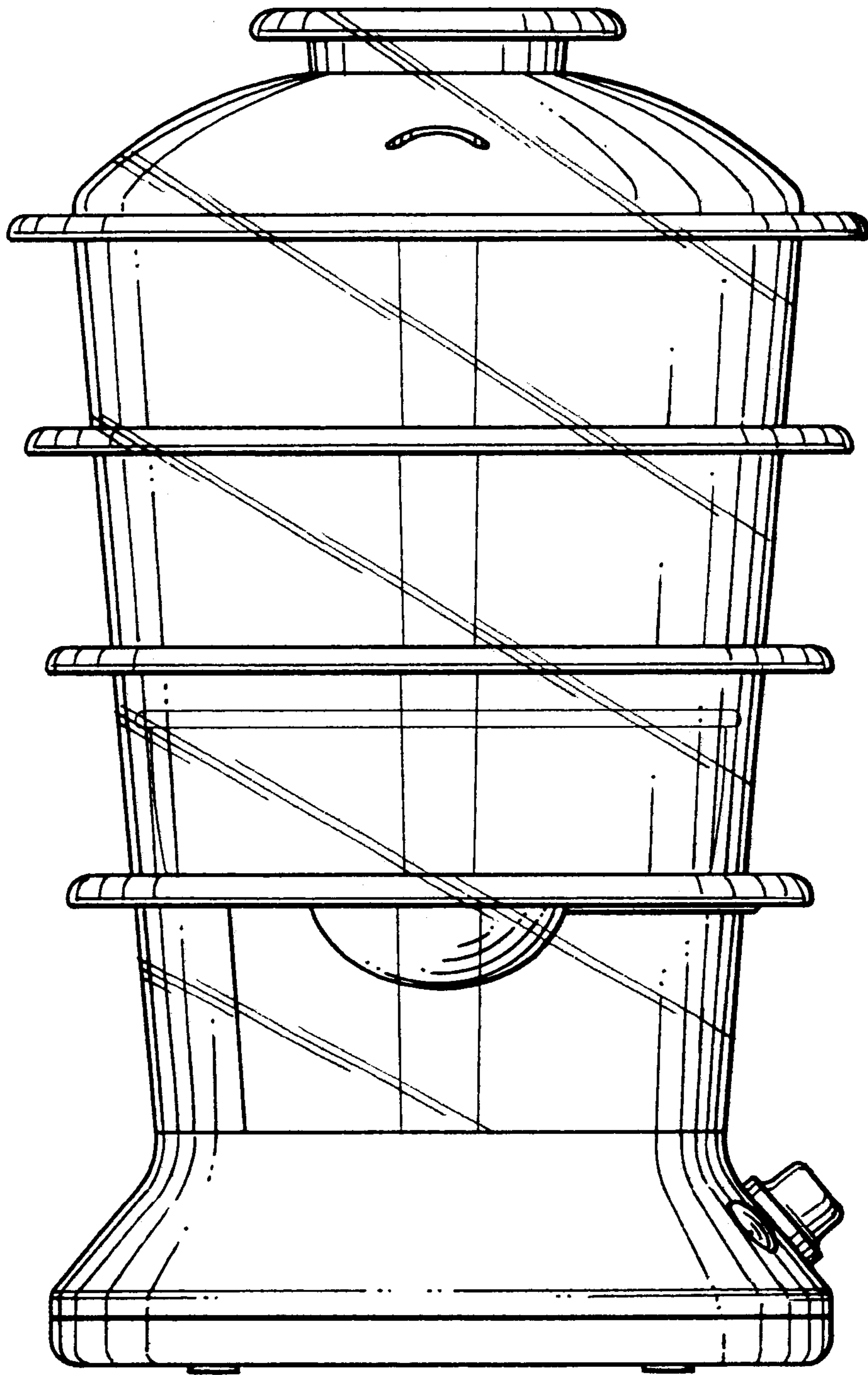


FIG. 4

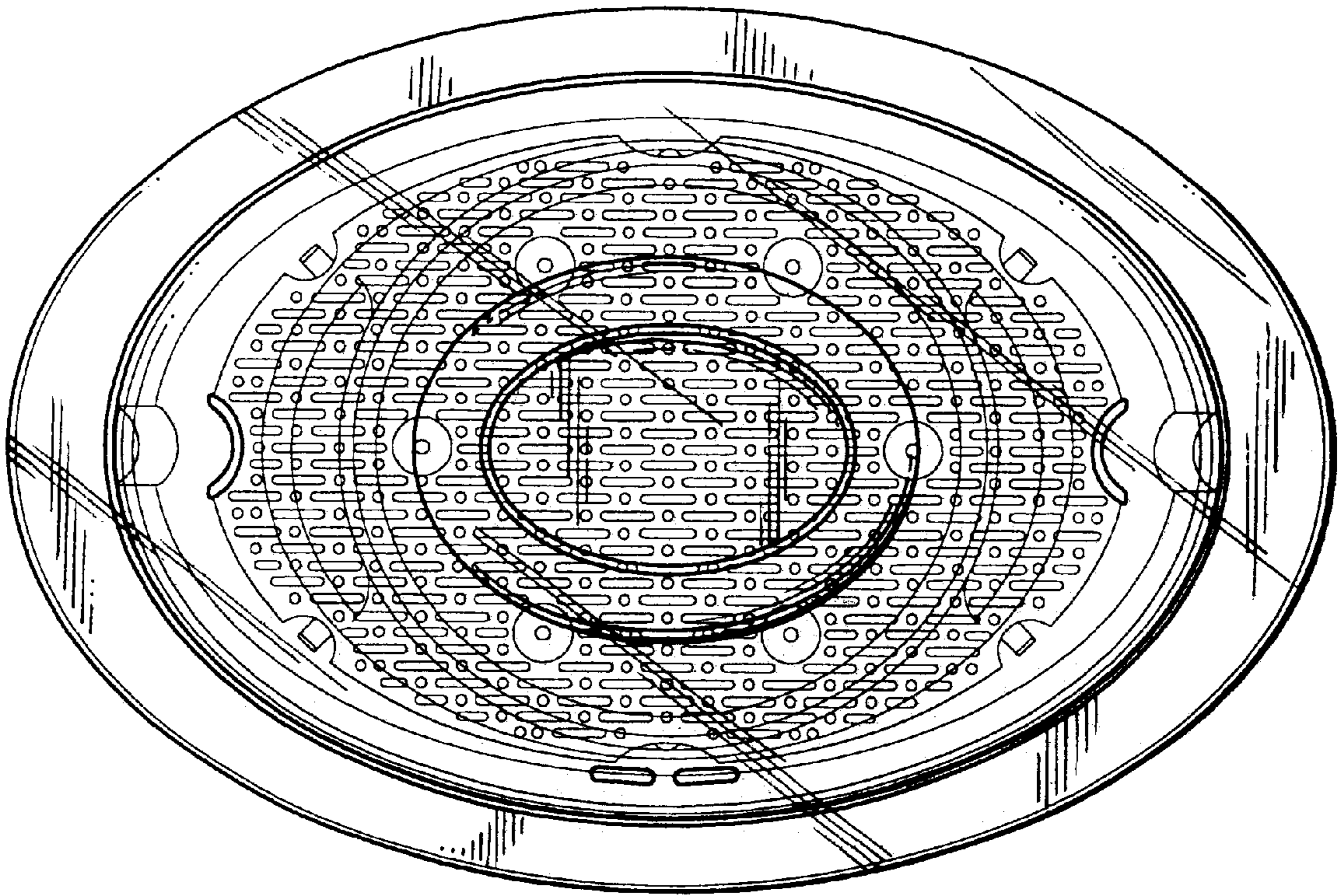


FIG. 5

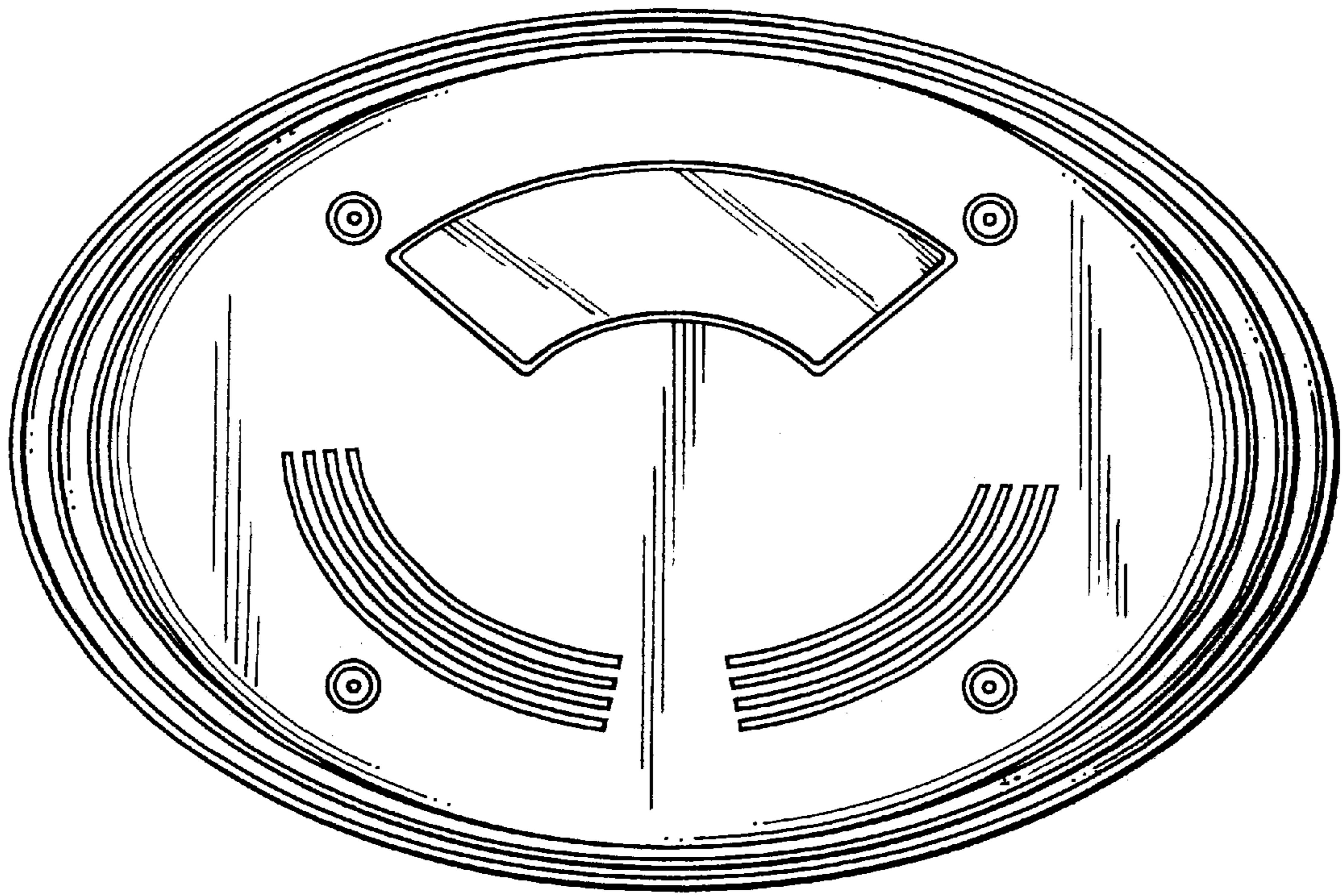


FIG. 6

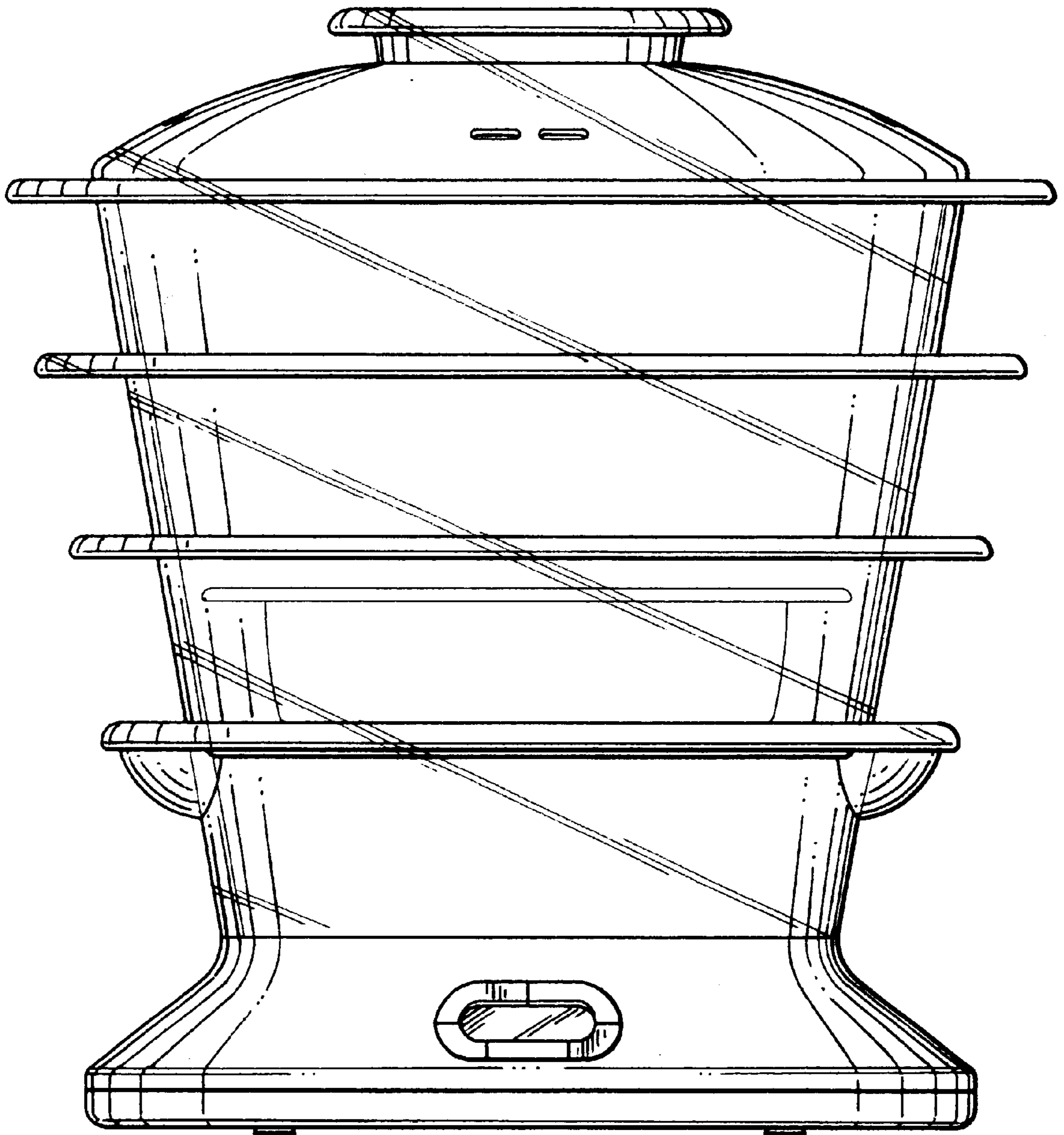


FIG. 7

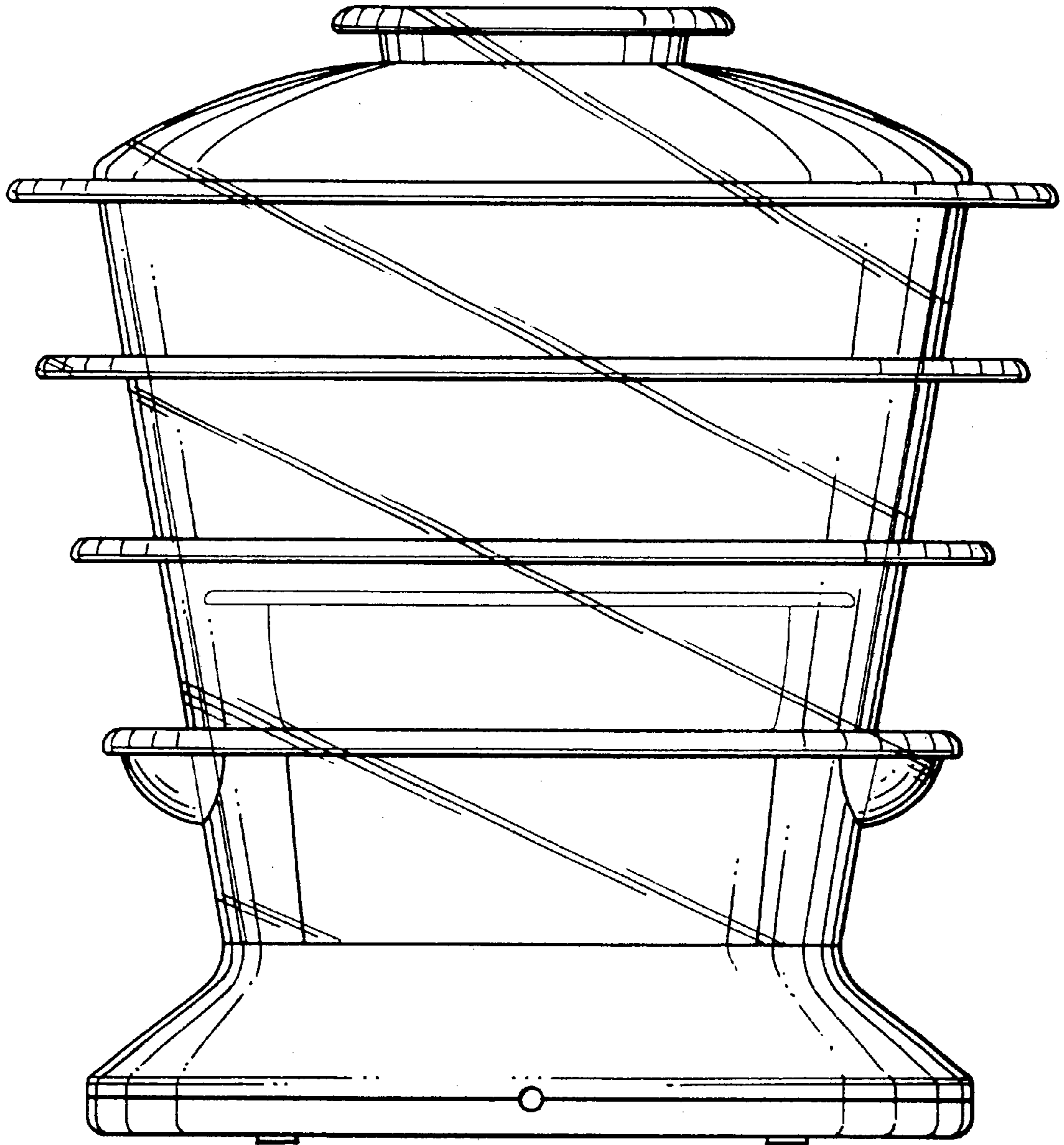


FIG. 8

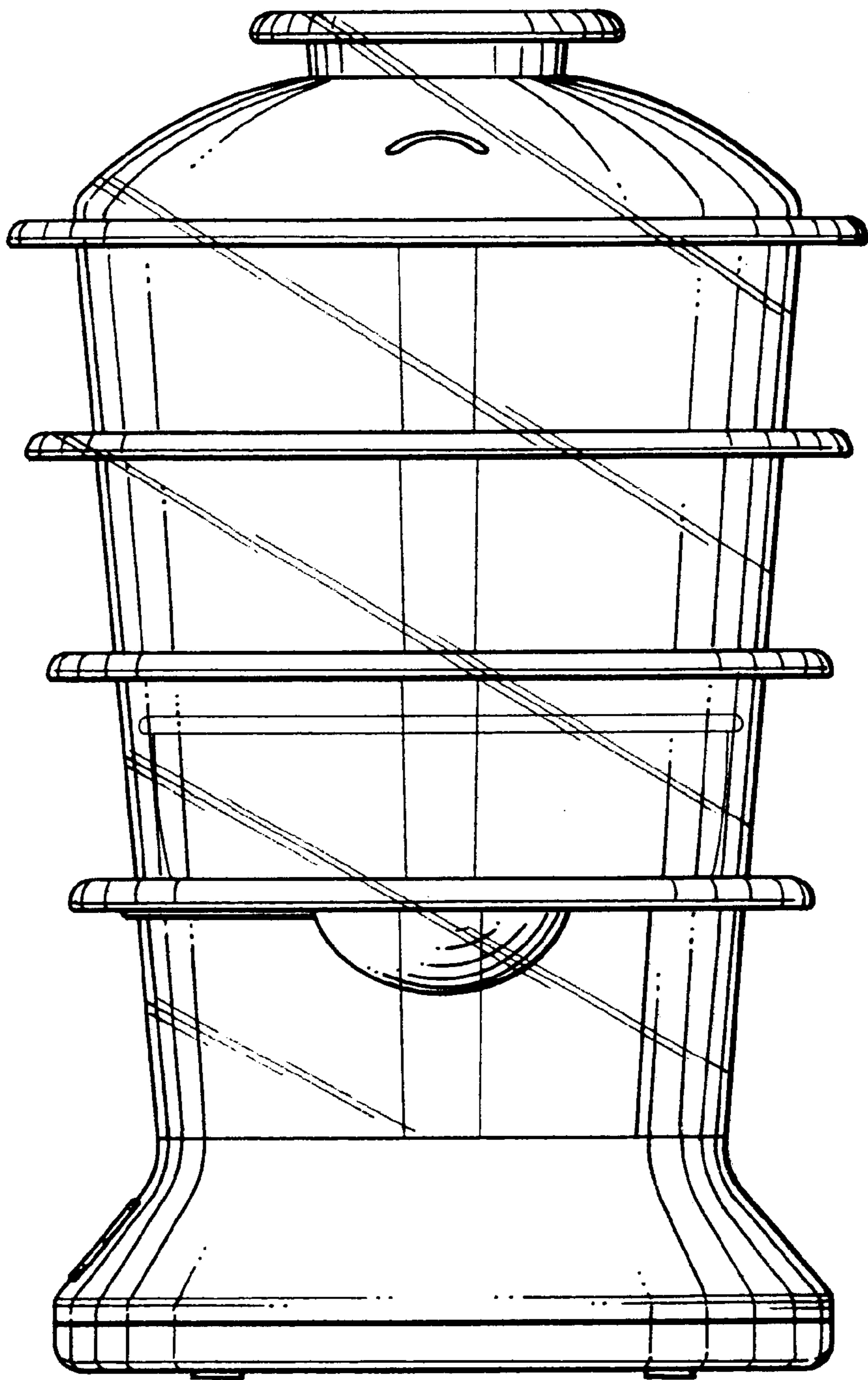


FIG. 9

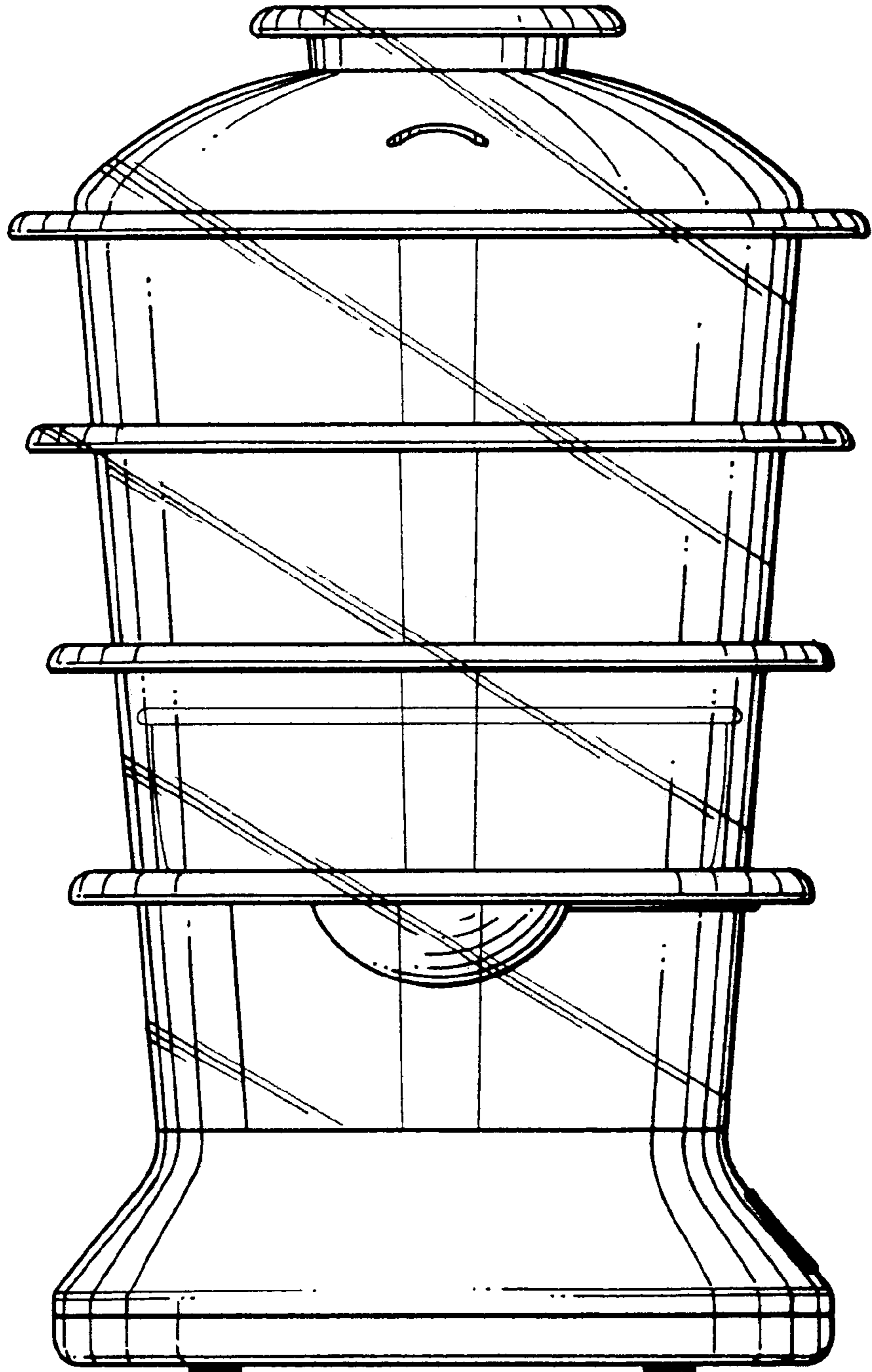


FIG. 10

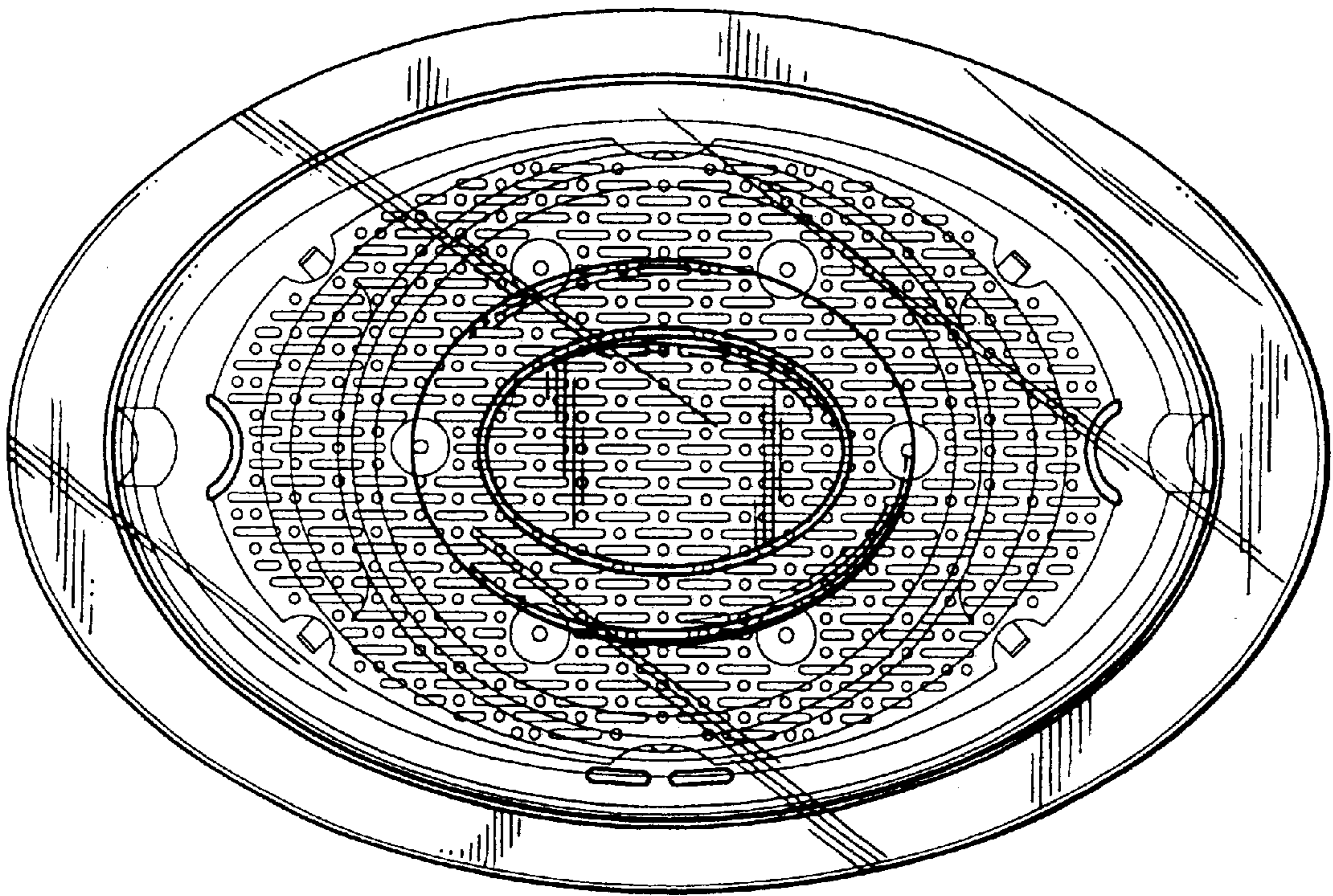


FIG. 11

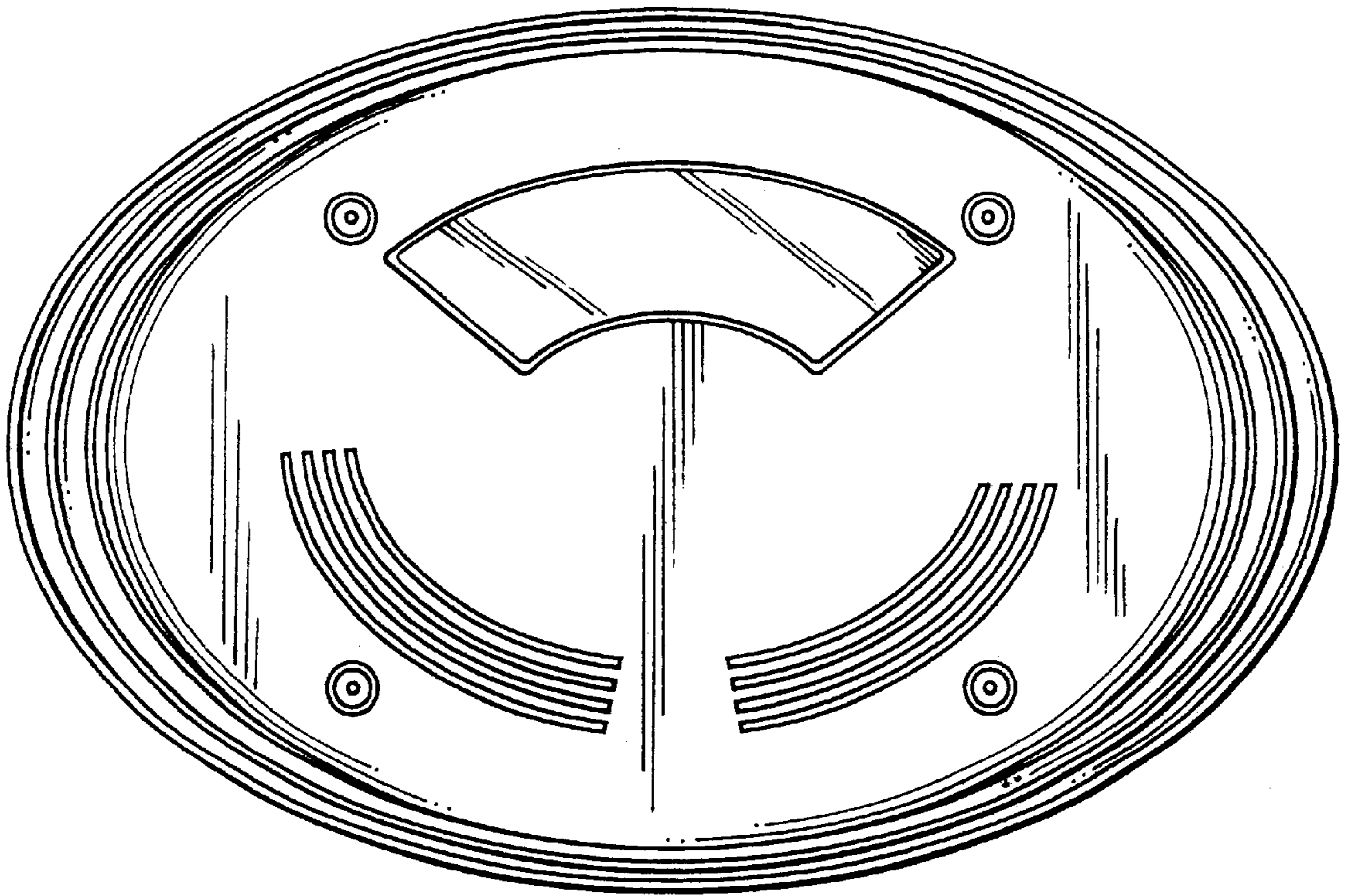


FIG. 12