



US00D481249S

(12) **United States Design Patent**
Wang

(10) **Patent No.:** **US D481,249 S**

(45) **Date of Patent:** **** Oct. 28, 2003**

(54) **COMPACT DISK SHELF**

Primary Examiner—Cathron C. Brooks

(76) Inventor: **Chih-Wei Wang**, 58, Ma Yuan West St., Taichung (TW)

(**) Term: **14 Years**

(57) **CLAIM**

The ornamental design for a compact disk shelf, as shown and described.

(21) Appl. No.: **29/168,418**

(22) Filed: **Sep. 27, 2002**

DESCRIPTION

(51) **LOC (7) Cl.** **06-04**

(52) **U.S. Cl.** **D6/630**

(58) **Field of Search** D6/407, 627-630, D6/450, 467-468; 206/308.1, 309; 211/40, 42, 43, 41.12; 312/9.1, 9.9, 9.11, 9.16, 9.46, 9.47, 9.51, 9.53, 9.54, 9.64

FIG. 1 is a front elevational view of a compact disk shelf showing my design;

FIG. 2 is a rear elevational view thereof;

FIG. 3 is a left side elevational view thereof;

FIG. 4 is a right side elevational view thereof;

FIG. 5 is a top plan view thereof;

FIG. 6 is a bottom plan view thereof; and,

FIG. 7 is a perspective view thereof.

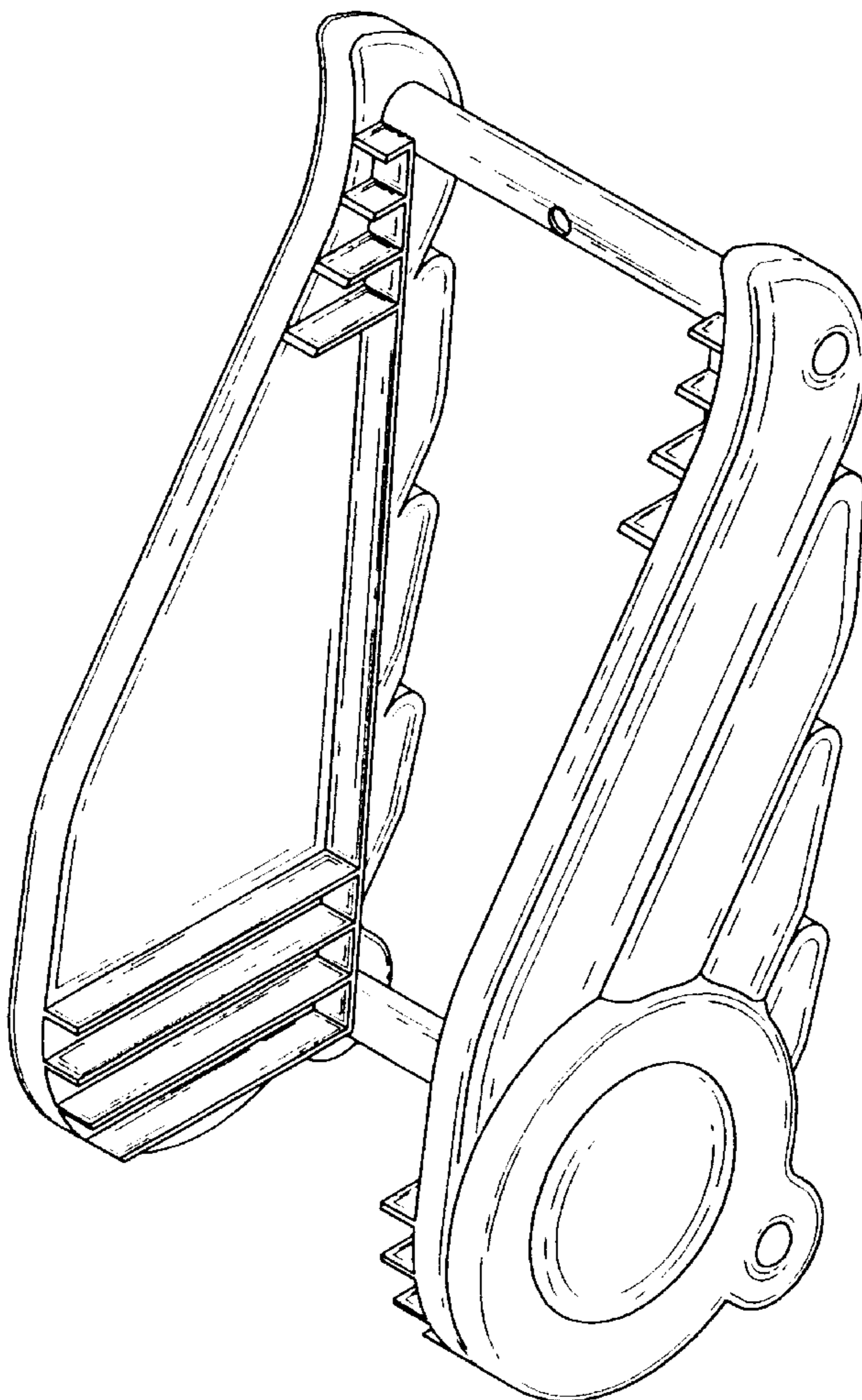
(56) **References Cited**

U.S. PATENT DOCUMENTS

D360,330 S * 7/1995 Ankeney D6/629

* cited by examiner

1 Claim, 4 Drawing Sheets



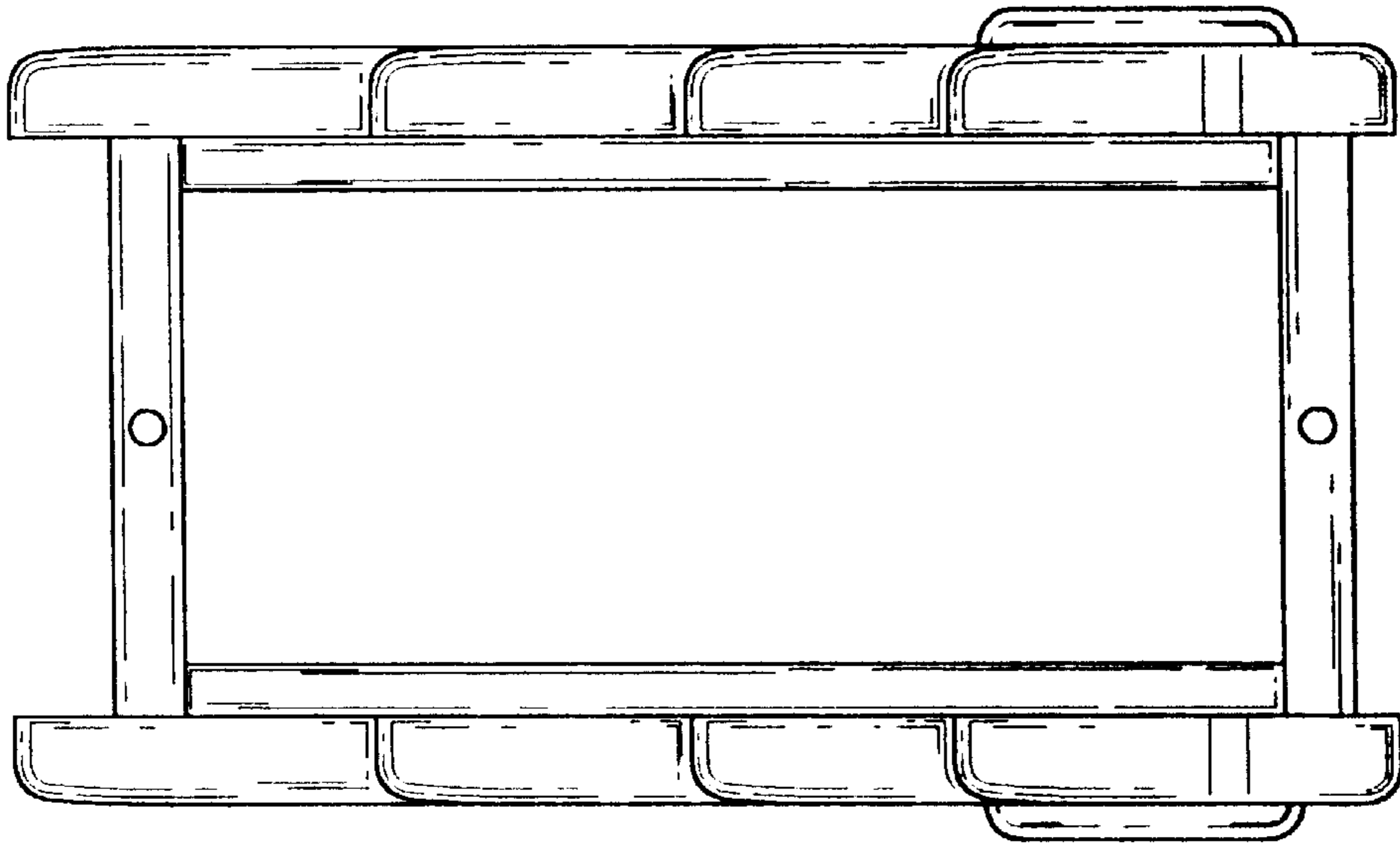


FIG 2

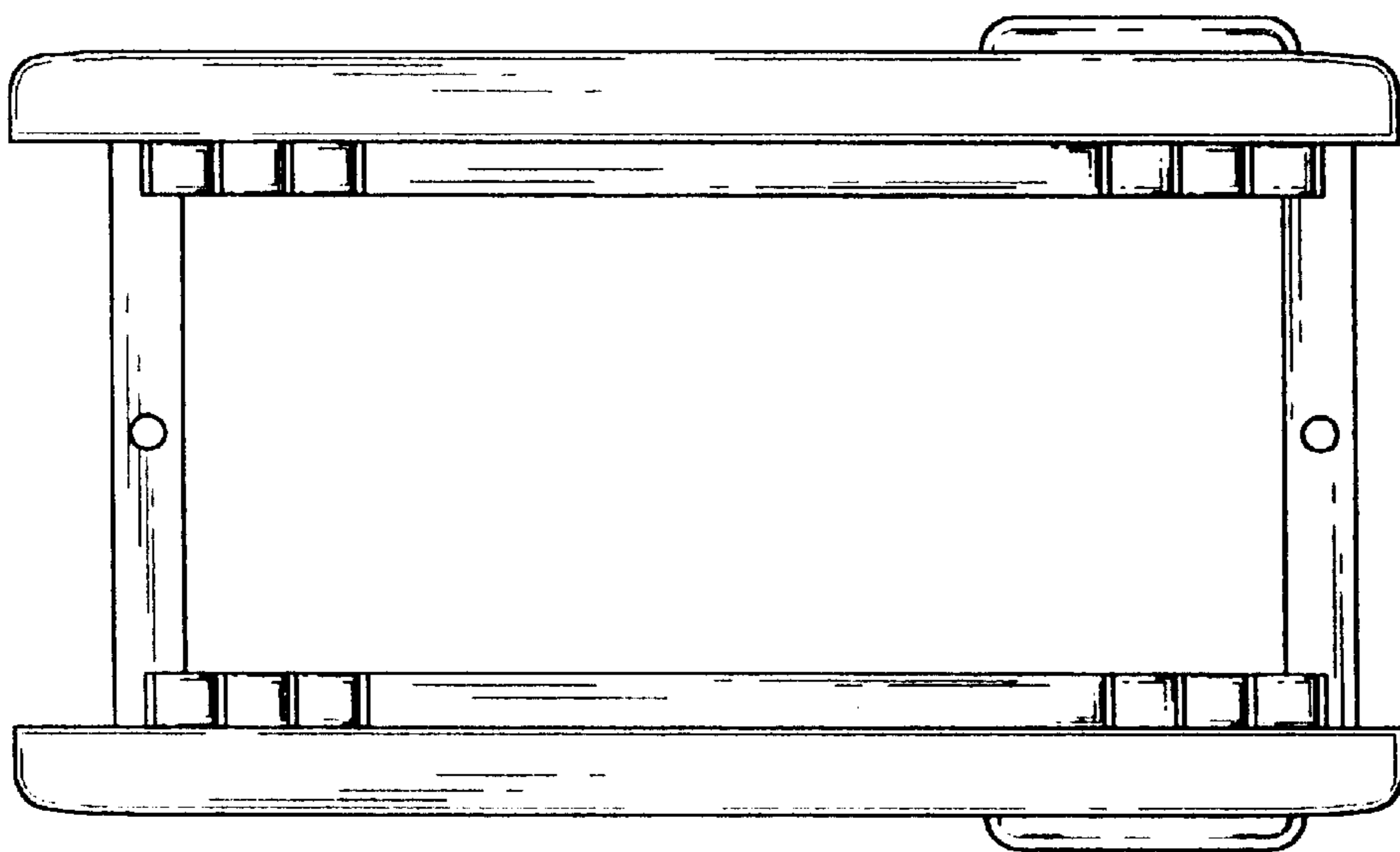


FIG 1

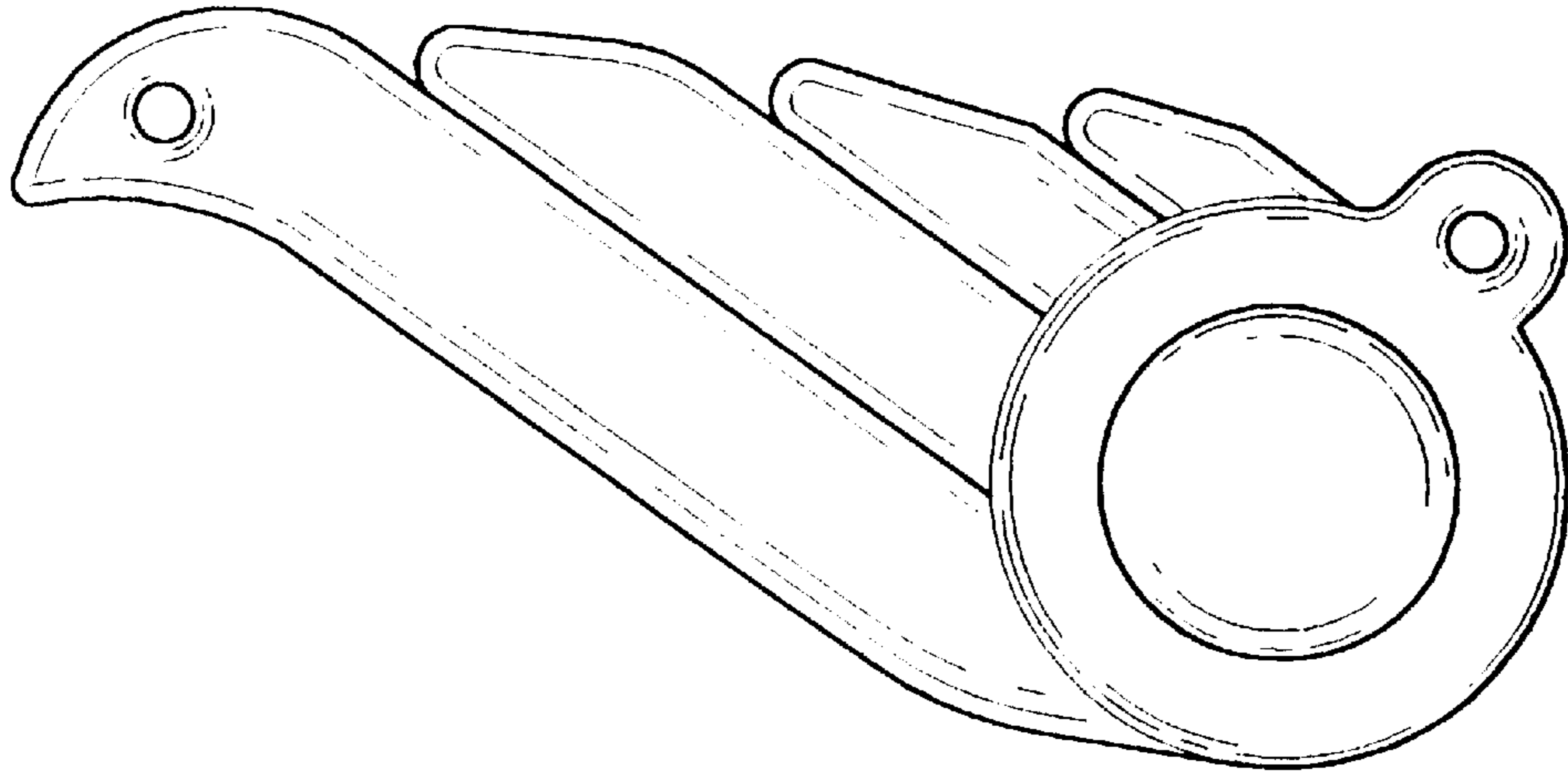


FIG 4

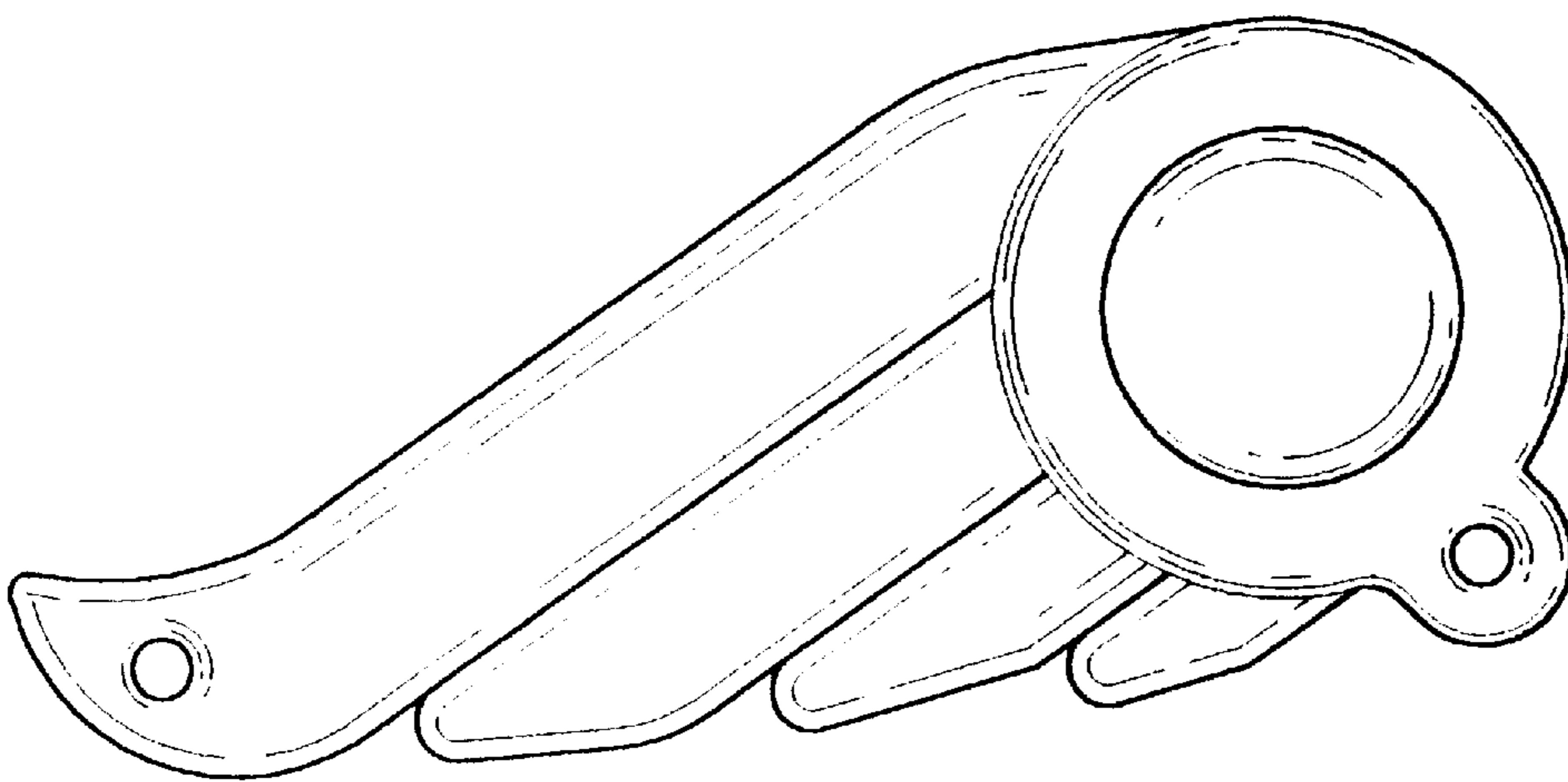


FIG 3

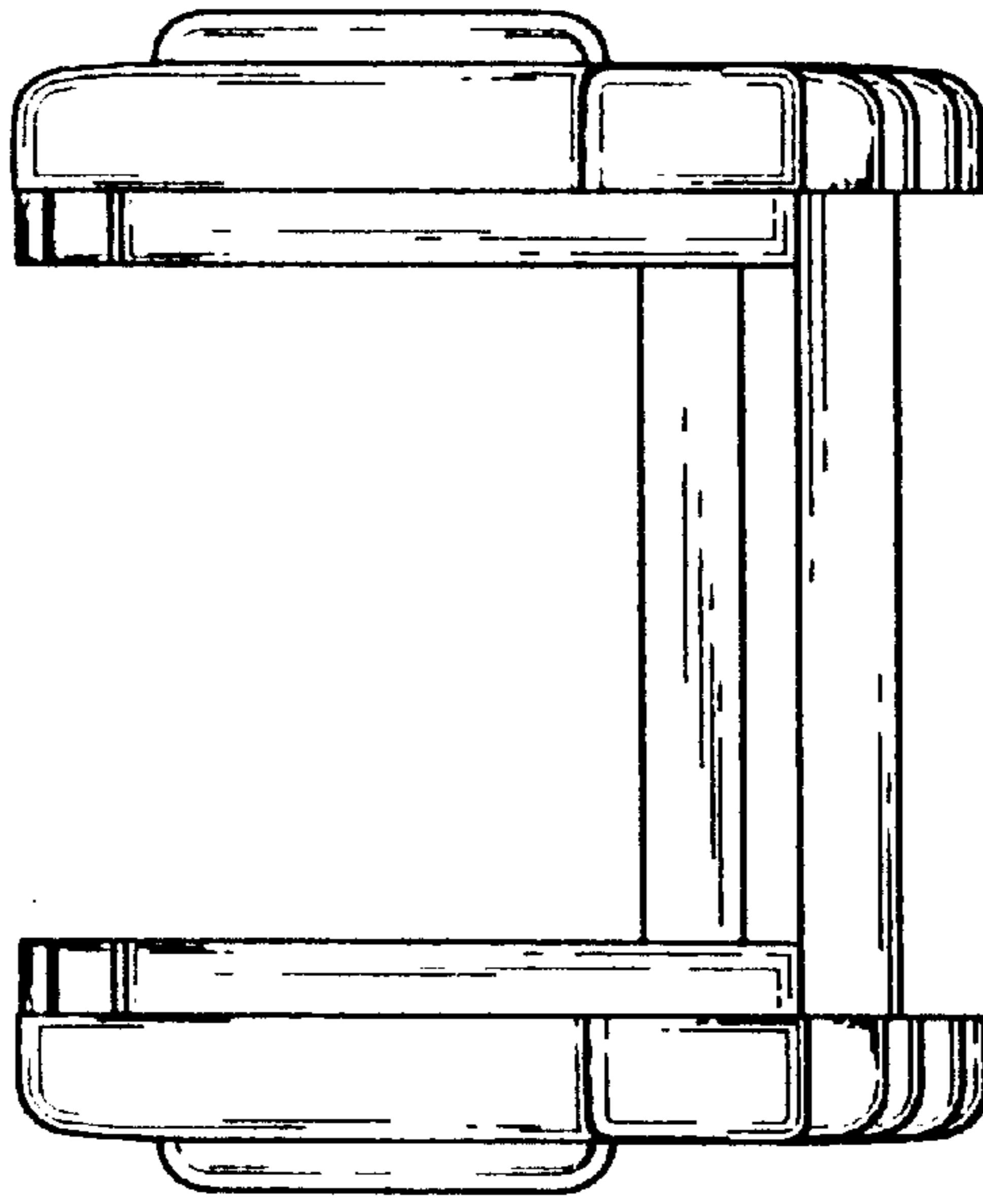


FIG 6

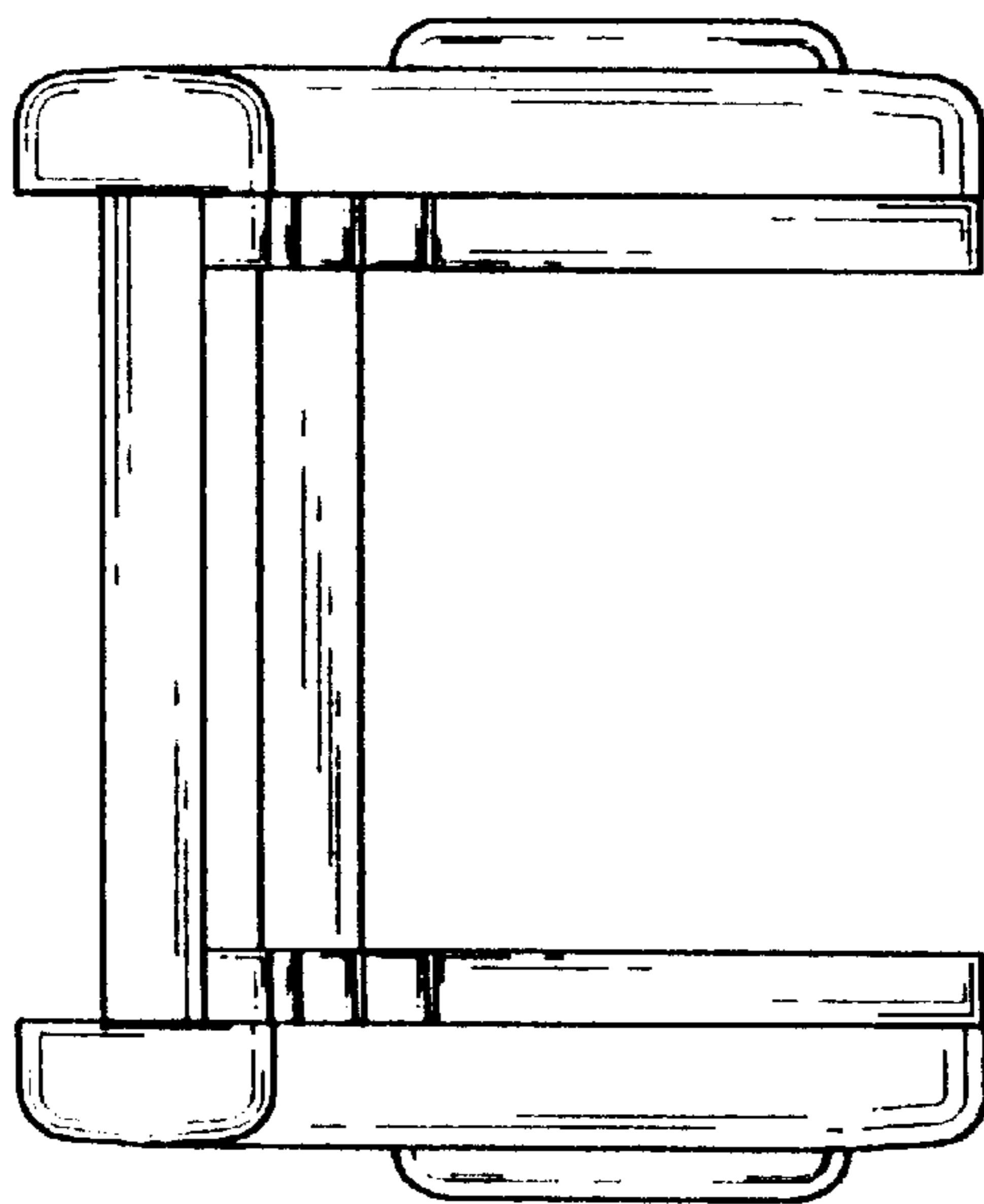


FIG 5

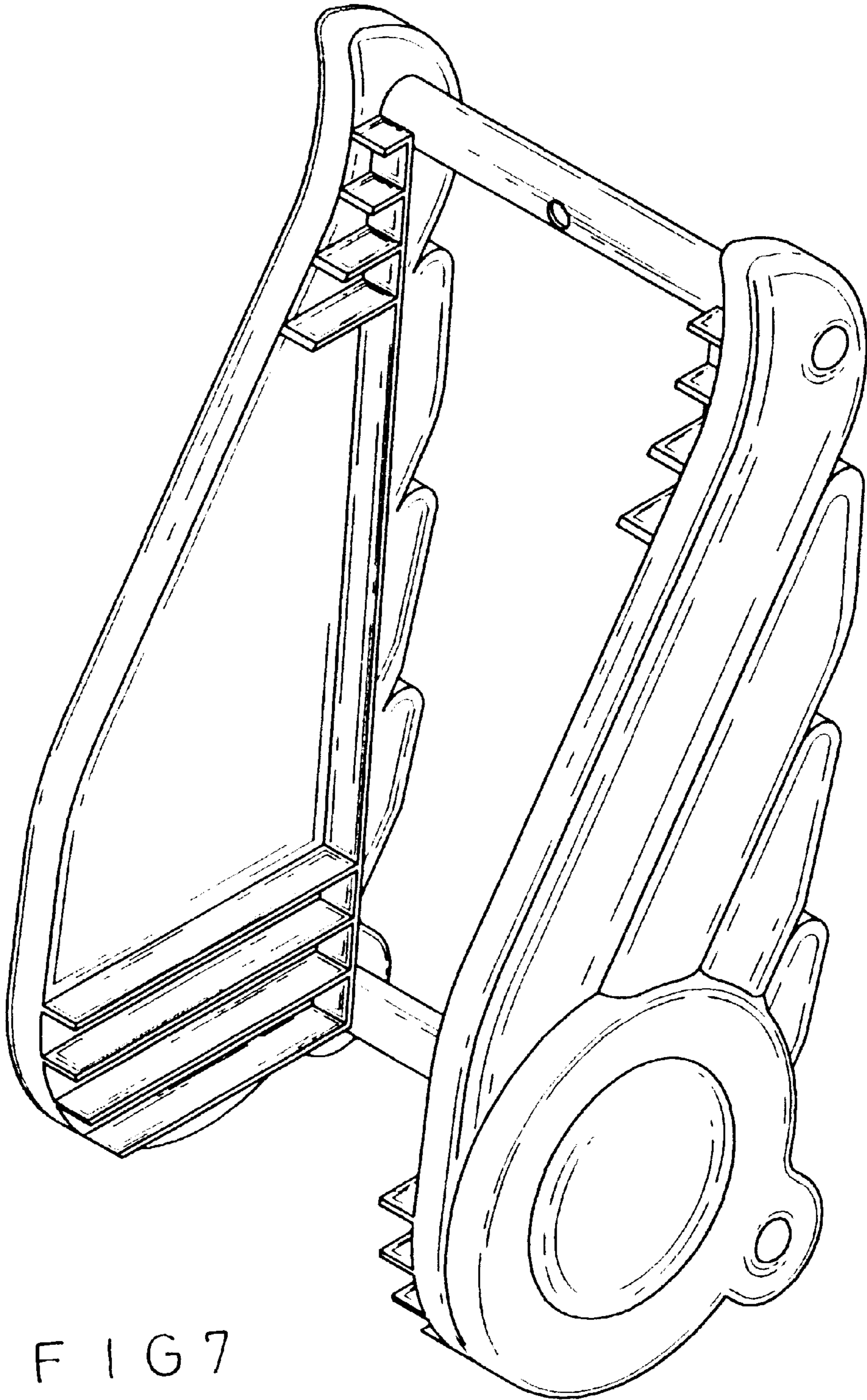


FIG 7