



US00D481240S

(12) **United States Design Patent**  
**Steinberg**

(10) **Patent No.:** **US D481,240 S**

(45) **Date of Patent:** **\*\* Oct. 28, 2003**

(54) **SLAT FOR VENETIAN BLINDS**

(74) *Attorney, Agent, or Firm*—Dorsey & Whitney LLP

(75) **Inventor:** **Howard L. Steinberg**, Suffern, NY (US)

(57) **CLAIM**

The ornamental design for a slat for venetian blinds, as shown and described.

(73) **Assignee:** **Hunter Douglas Inc.**, Upper Saddle River, NJ (US)

**DESCRIPTION**

(\*\*) **Term:** **14 Years**

FIG. 1 is an isometric view of the front of the slat for venetian blinds.

(21) **Appl. No.:** **29/160,207**

FIG. 2 is an isometric view similar to FIG. 1 of the rear of the slat.

(22) **Filed:** **May 6, 2002**

FIG. 3 is an isometric view of the slat as shown in FIG. 1 having been rotated 90 degrees.

(51) **LOC (7) Cl.** ..... **06-10**

(52) **U.S. Cl.** ..... **D6/580**

(58) **Field of Search** ..... D6/575, 577, 580;  
160/166.1, 167 R, 168.1, 174 R; D25/138,  
139

FIG. 4 is a left end elevation of the slat as shown in FIG. 1.

FIG. 5 is a front elevation of the slat.

FIG. 6 is a right end elevation of the slat as shown in FIG. 1.

(56) **References Cited**

**U.S. PATENT DOCUMENTS**

D352,857 S	*	11/1994	Underdahl	.....	D6/580
D355,092 S	*	2/1995	Swopes	.....	D6/580
D366,174 S	*	1/1996	Knuteson	.....	D6/580
D366,587 S	*	1/1996	Underdahl	.....	D6/580
D409,869 S	*	5/1999	Marusak	.....	D6/577
6,186,457 B1	*	2/2001	Carter	.....	248/251
D464,518 S	*	10/2002	Griffiths et al.	.....	D6/580

FIG. 7 is a bottom plan view of the slat.

FIG. 8 is a rear elevation of the slat.

FIG. 9 is a top plan view of the slat.

FIG. 10 is an isometric view of the slat, shown assembled in a venetian blind in an open position.

FIG. 11 is an isometric view similar to FIG. 10 only in closed position; and,

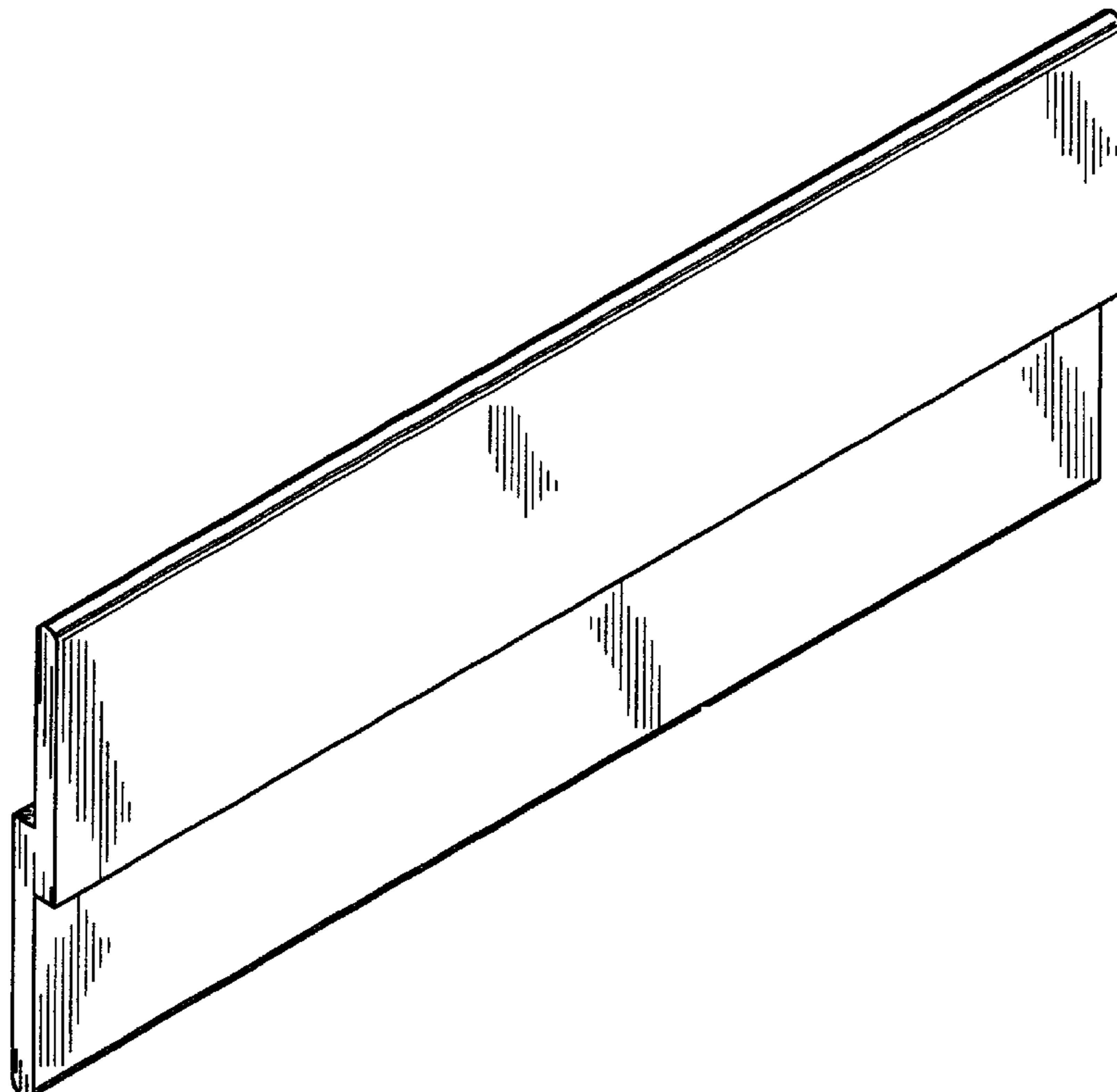
FIG. 12 is a left-side elevation view shown assembled in a venetian blind in an open but retracted position.

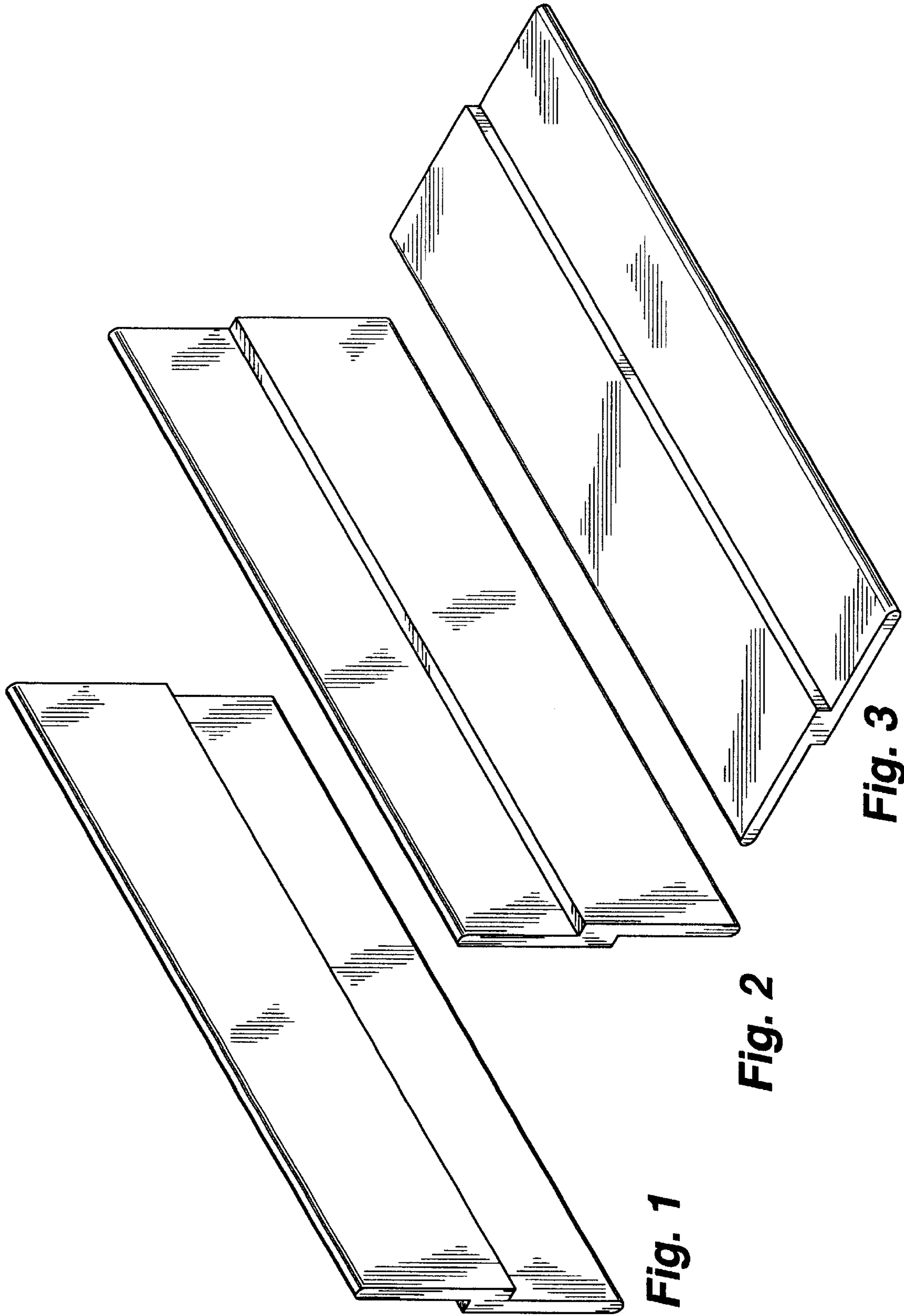
The broken line showing is for illustrative purposes only and forms no part of the claim design.

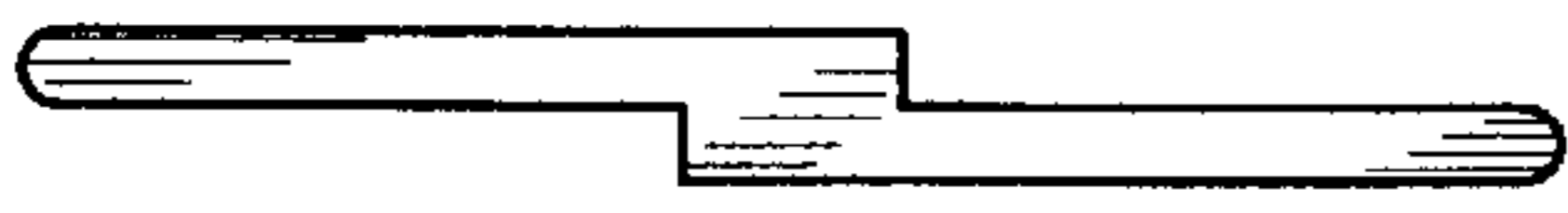
\* cited by examiner

*Primary Examiner*—Robin V. Taylor

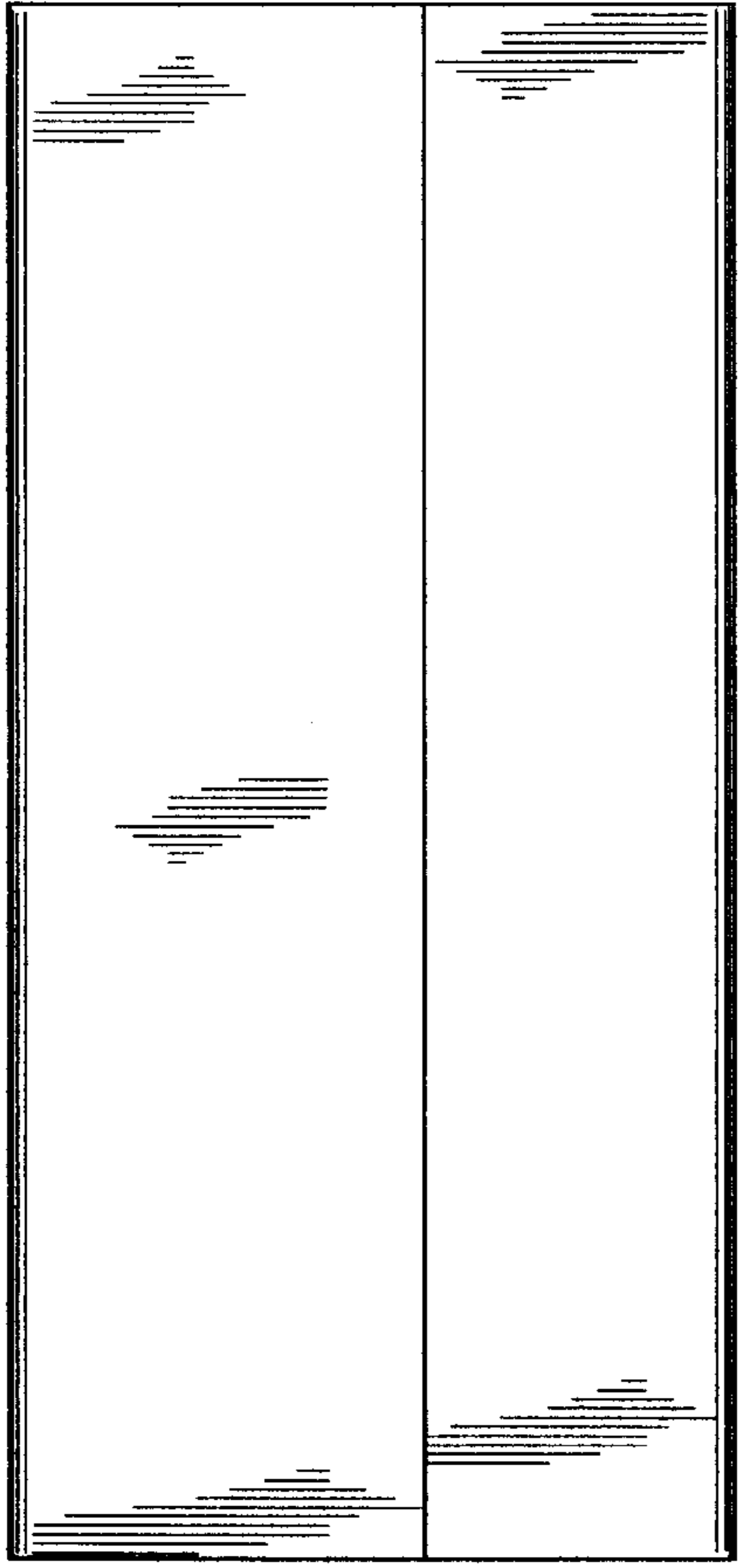
**1 Claim, 3 Drawing Sheets**





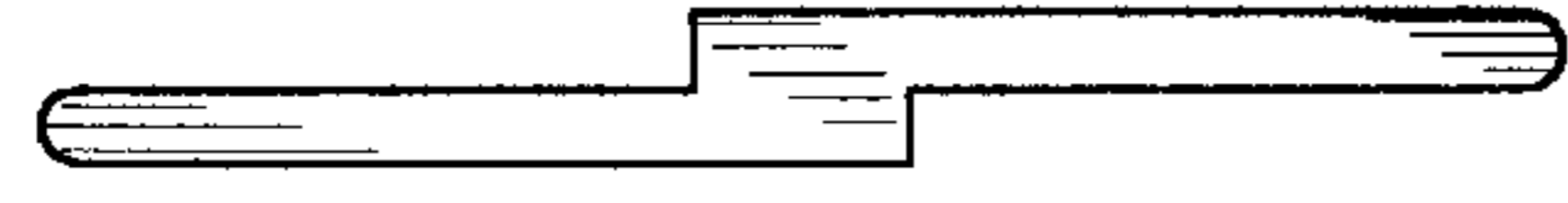


**Fig. 4**

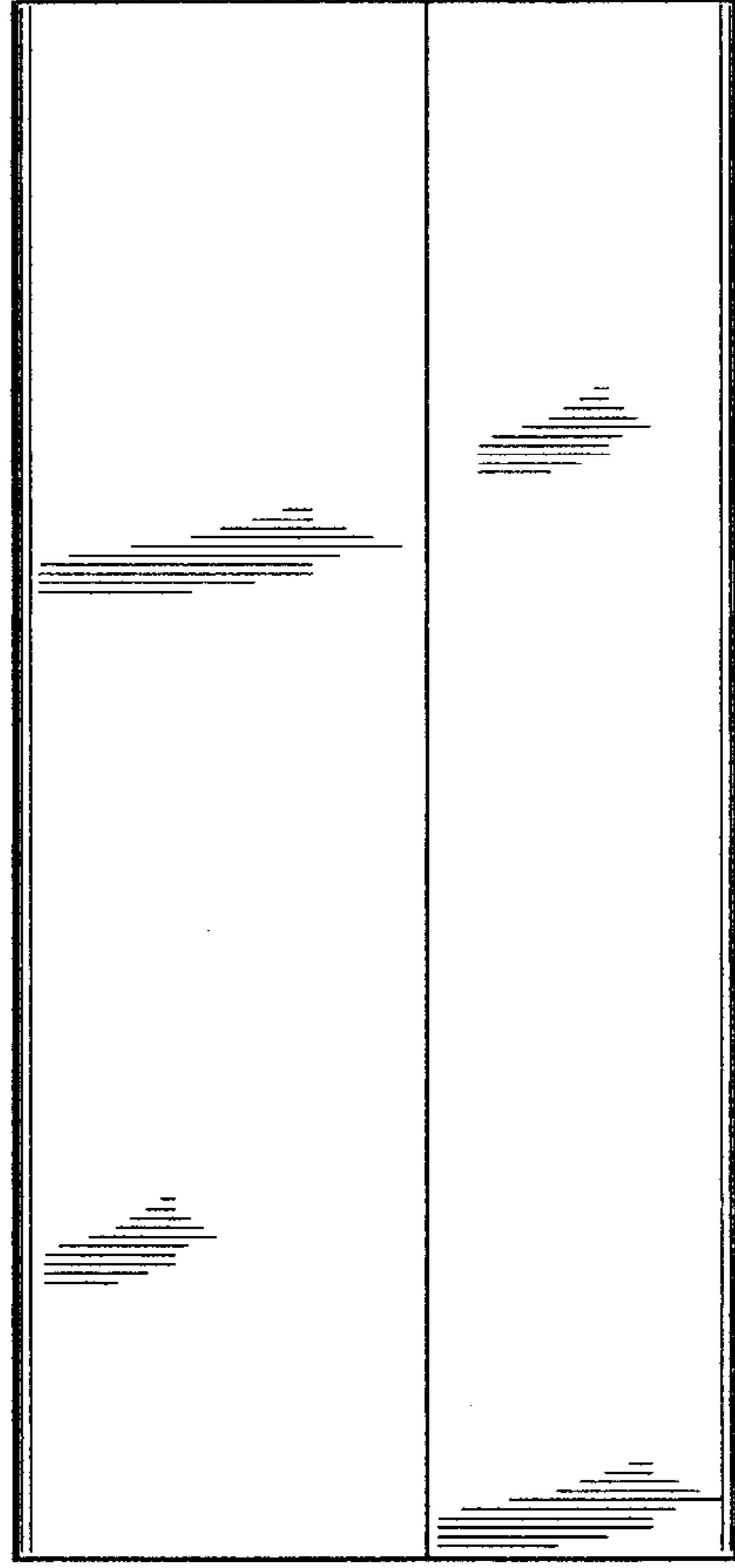


**Fig. 5**

**Fig. 7**

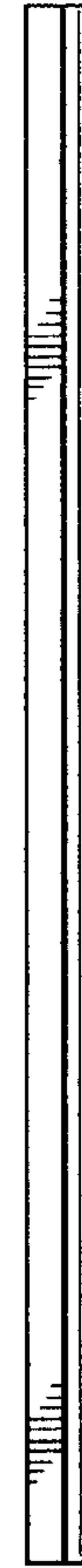


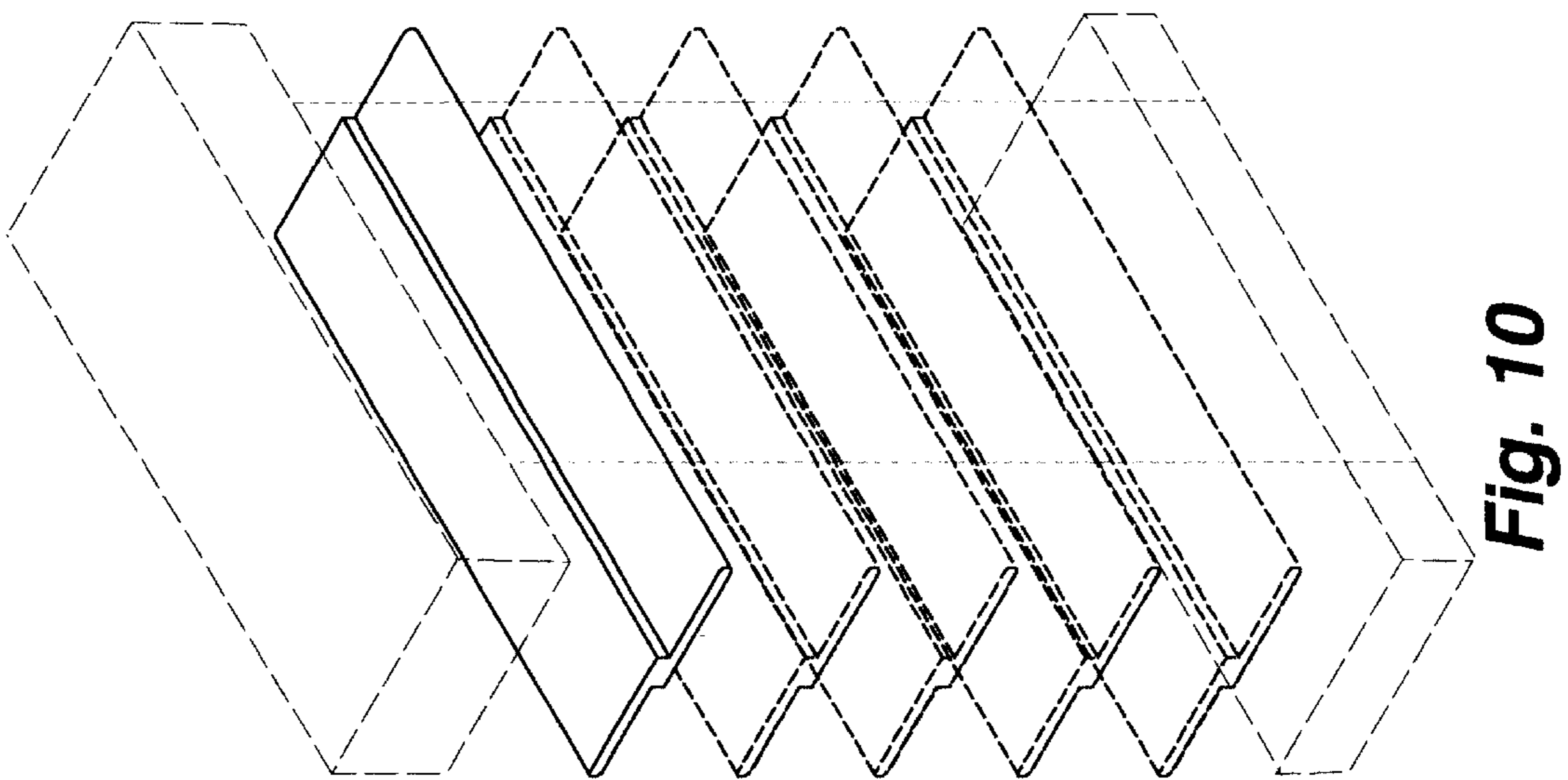
**Fig. 6**



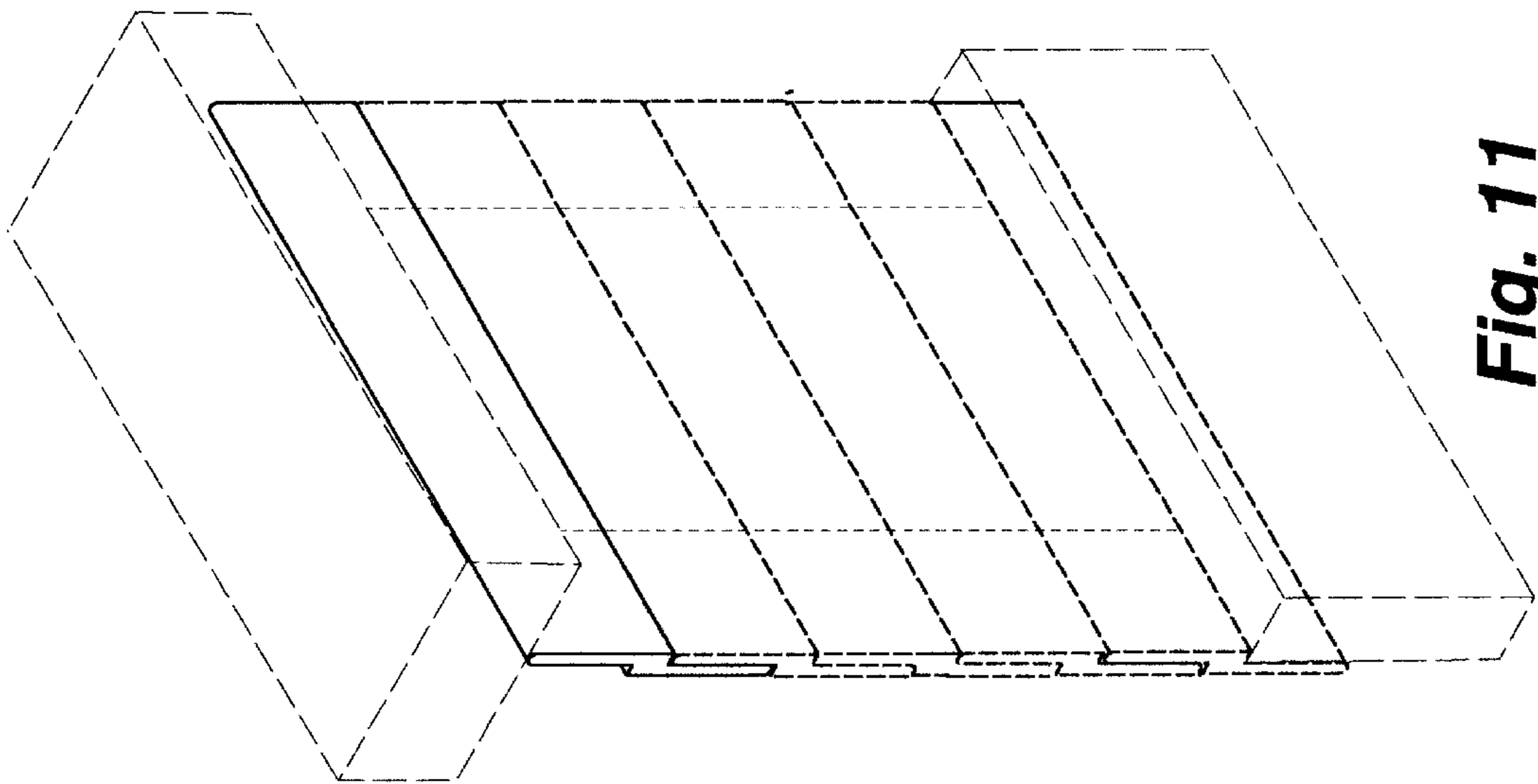
**Fig. 8**

**Fig. 9**

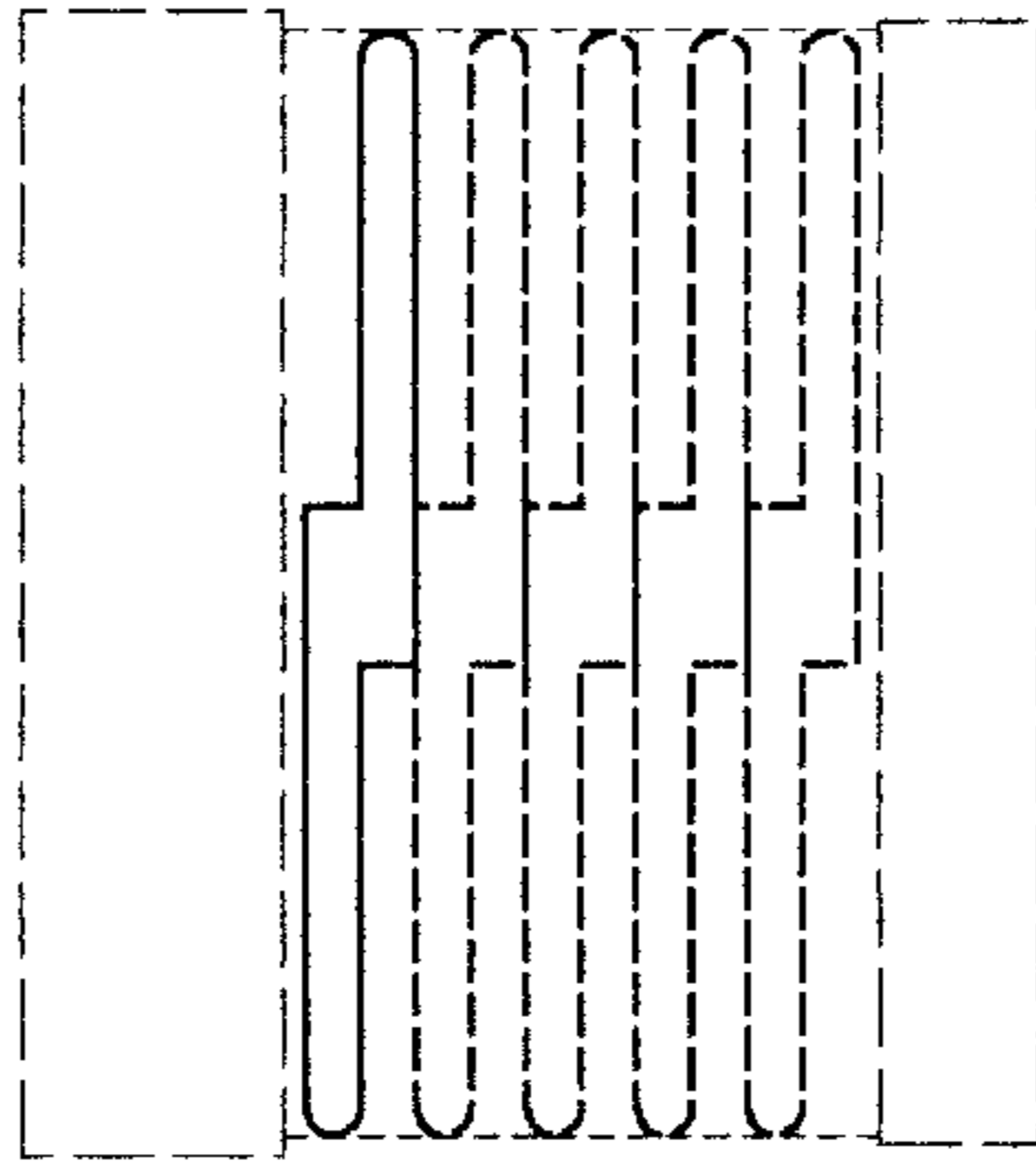




**Fig. 10**



**Fig. 11**



**Fig. 12**