



US00D481238S

(12) **United States Design Patent**  
**Kao**

(10) **Patent No.:** **US D481,238 S**

(45) **Date of Patent:** **\*\* Oct. 28, 2003**

(54) **SOAP DISPENSER**

(75) Inventor: **Chih-Yung Kao**, Chung Ho (TW)

(73) Assignee: **Wue Yang Enterprise Co., Ltd.**, Taipei (TW)

(\*\*) Term: **14 Years**

(21) Appl. No.: **29/176,773**

(22) Filed: **Feb. 28, 2003**

(51) **LOC (7) Cl.** ..... **23-02**

(52) **U.S. Cl.** ..... **D6/545**

(58) **Field of Search** ..... D6/542-545; 221/202, 221/283; 222/173, 180, 105; 206/77.1

(56) **References Cited**

**U.S. PATENT DOCUMENTS**

- D390,396 S \* 2/1998 Sanborn ..... D6/545
- D418,344 S \* 1/2000 De Winter ..... D6/545
- D448,958 S \* 10/2001 Gross ..... D6/545

- D451,736 S \* 12/2001 Mast et al. .... D6/545
- D458,495 S \* 6/2002 Omdoll et al. .... D6/545
- D458,788 S \* 6/2002 Real ..... D6/545

\* cited by examiner

*Primary Examiner*—Brian N. Vinson

(74) *Attorney, Agent, or Firm*—Rosenberg, Klein & Lee

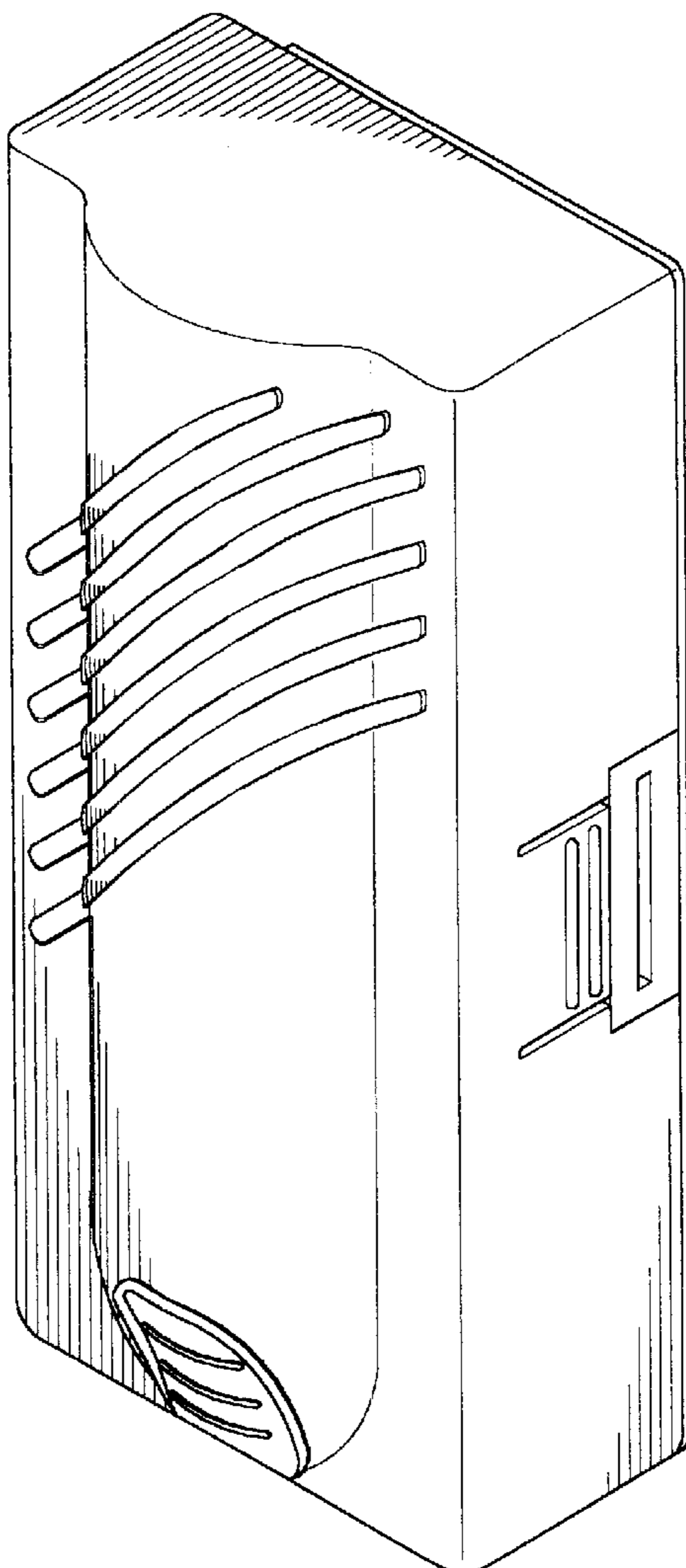
(57) **CLAIM**

The ornamental design of a soap dispenser, as shown and described.

**DESCRIPTION**

FIG. 1 is a perspective view of a soap dispenser in accordance with the design;  
 FIG. 2 is a front elevation view thereof;  
 FIG. 3 is a rear elevation view thereof;  
 FIG. 4 is a left side elevation view thereof;  
 FIG. 5 is a right side elevation view thereof;  
 FIG. 6 is a top plan view thereof; and,  
 FIG. 7 is a bottom plan view thereof.

**1 Claim, 6 Drawing Sheets**



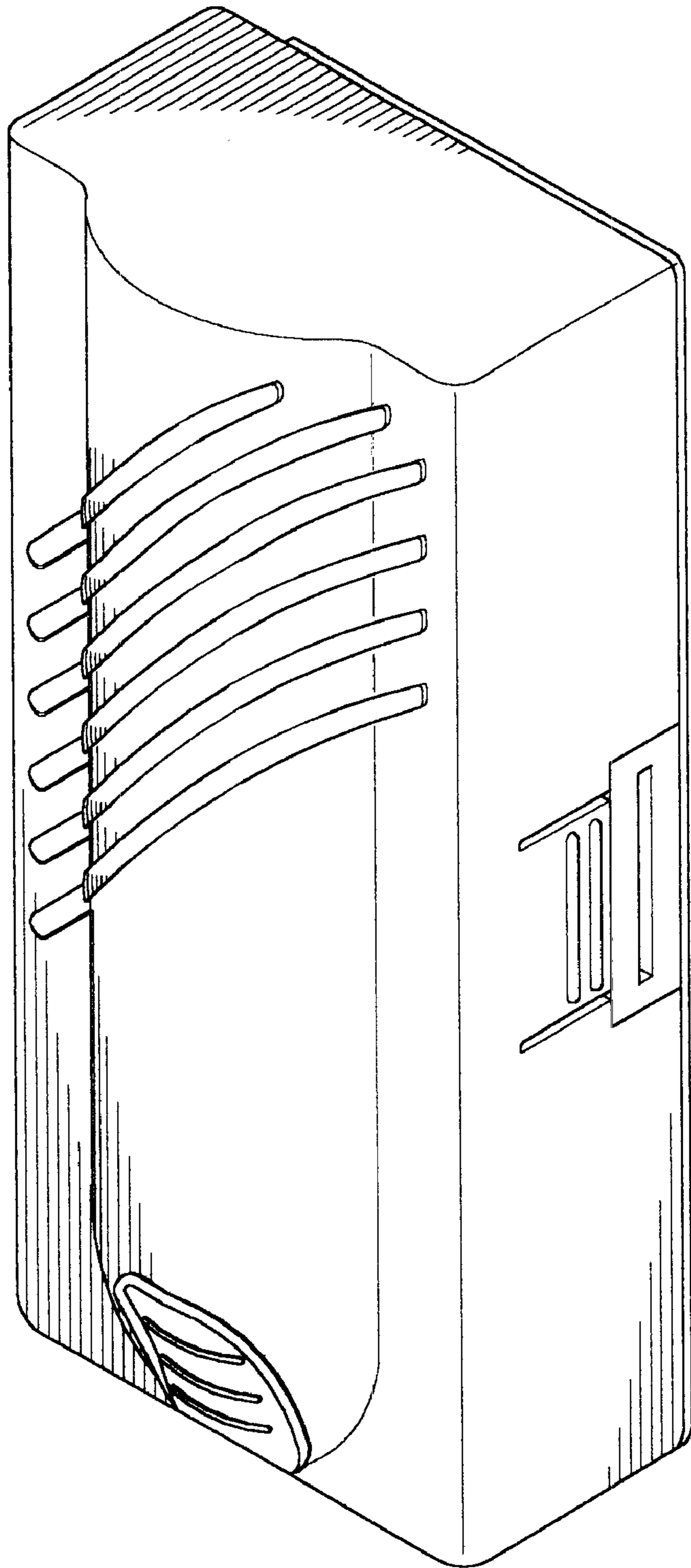


FIG.1

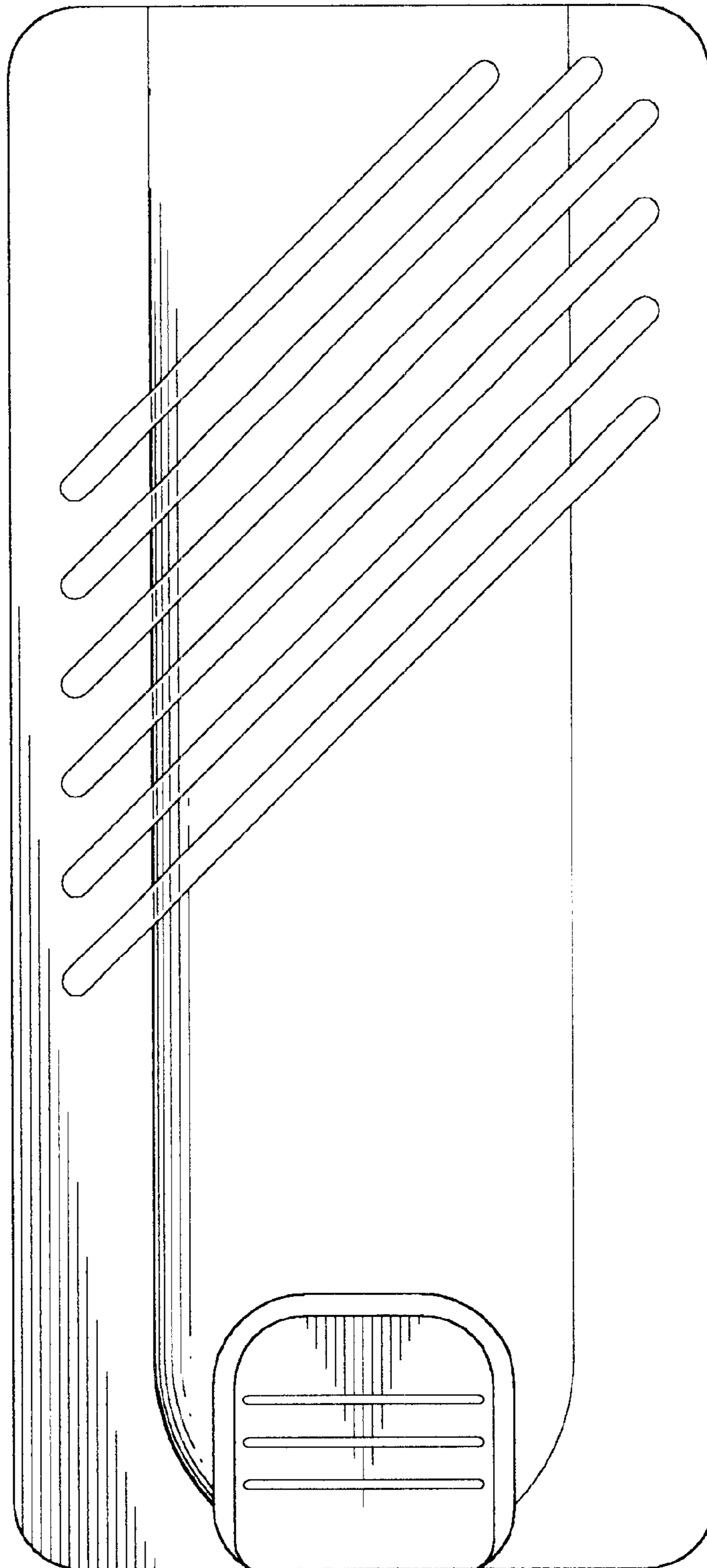


FIG.2

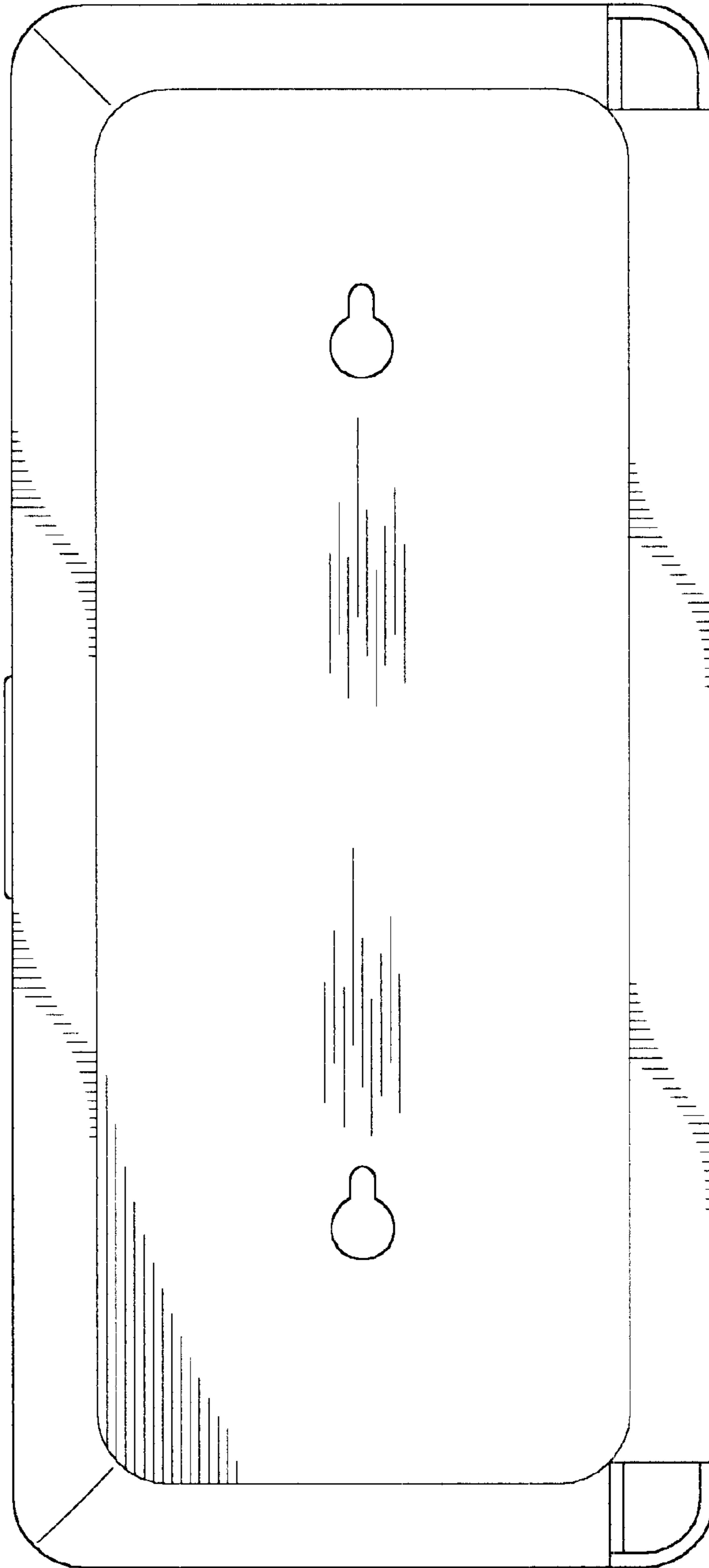


FIG.3

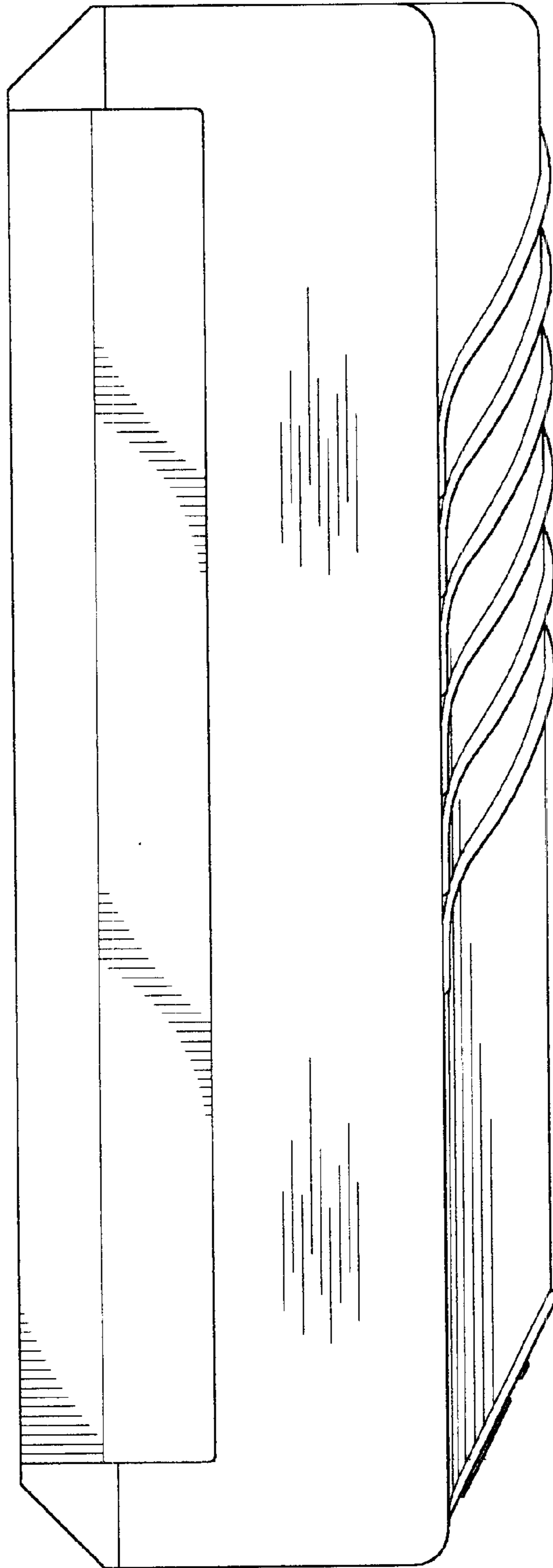


FIG.4

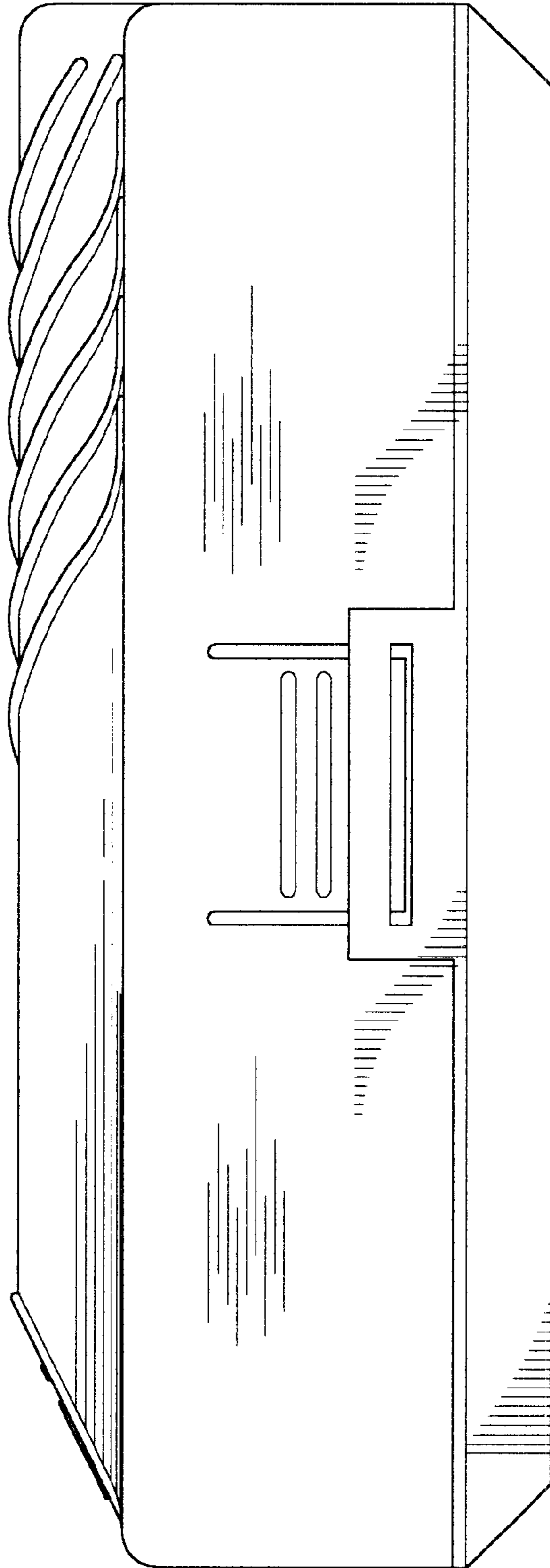


FIG.5

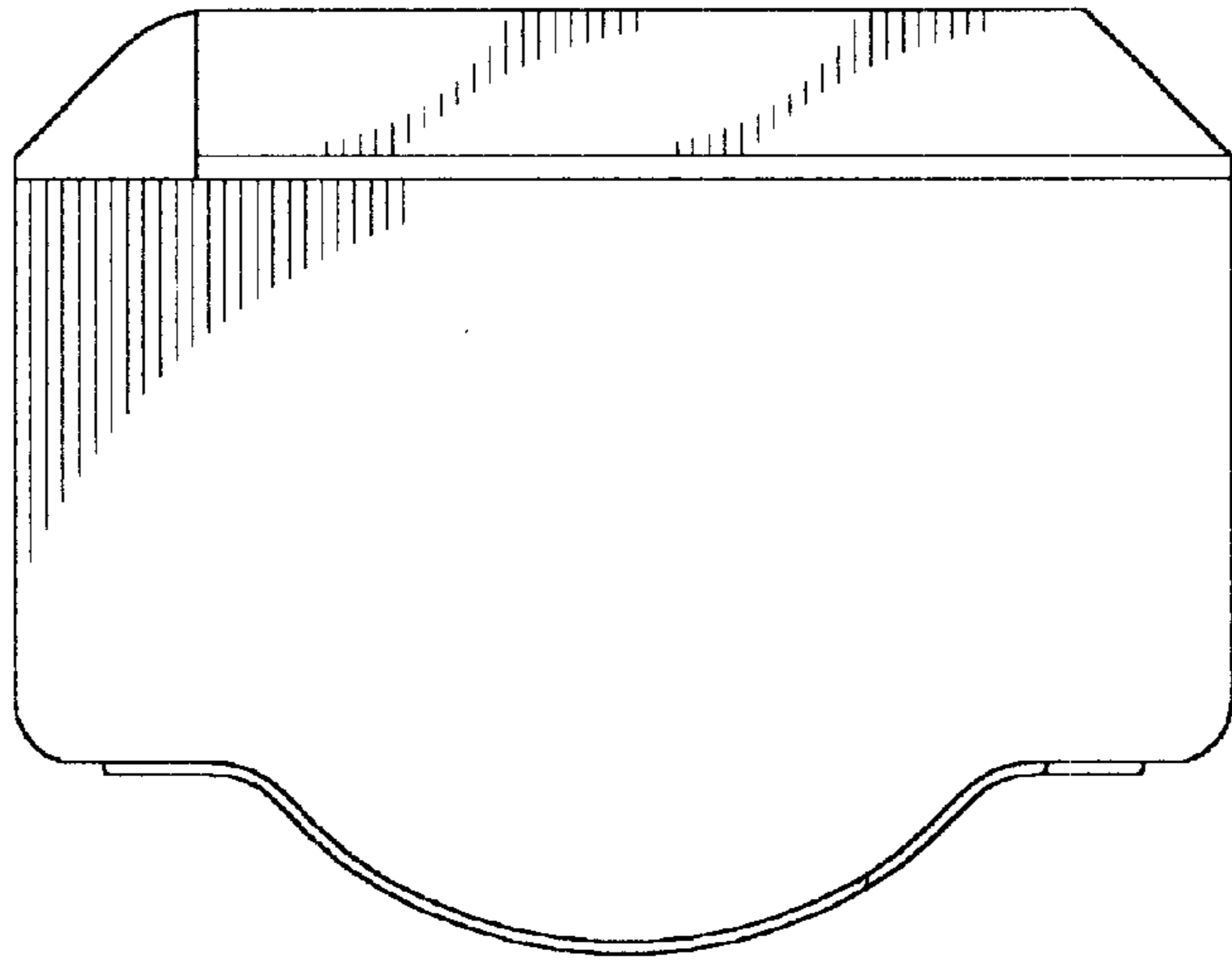


FIG. 6

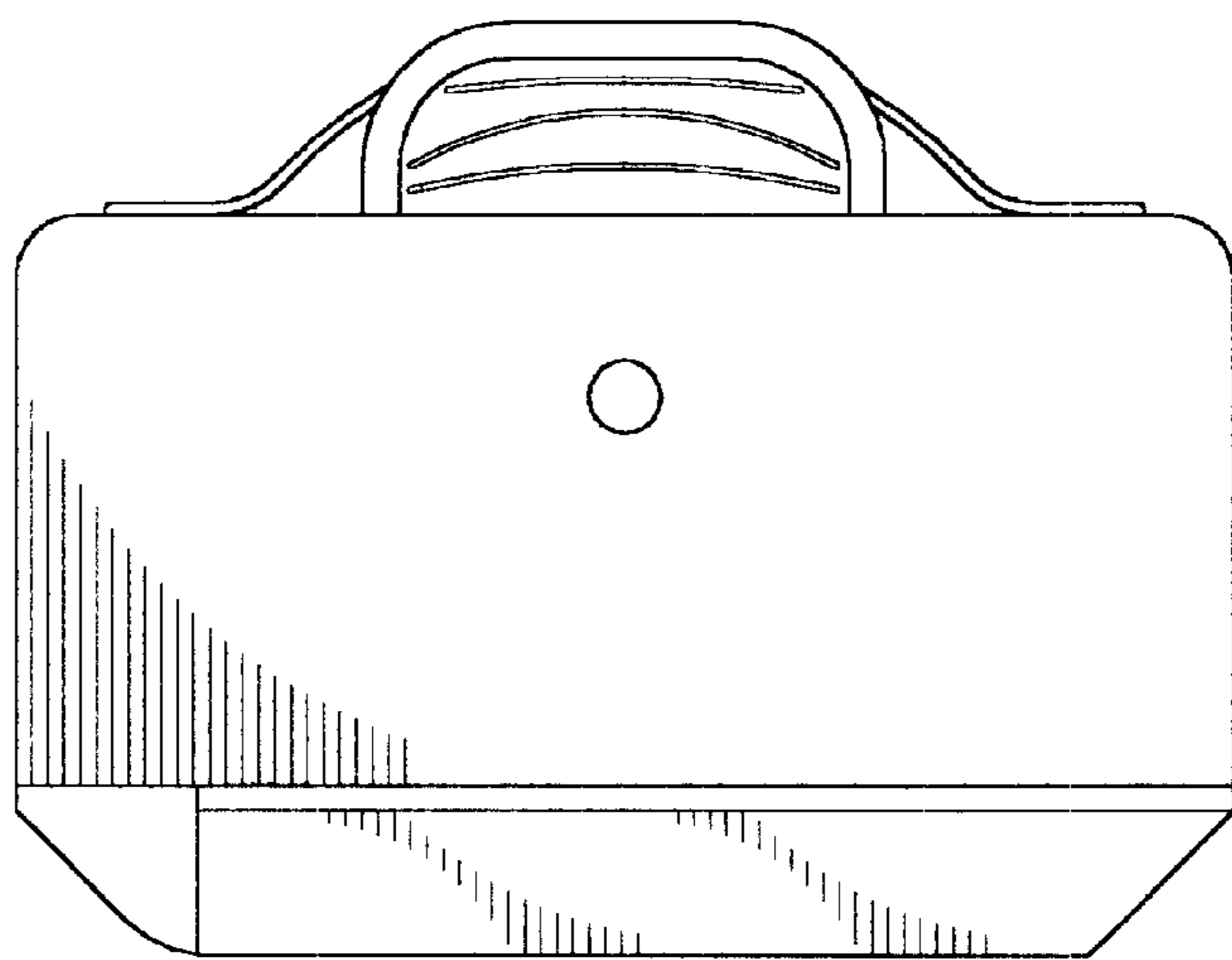


FIG. 7